



US00D843755S

(12) **United States Design Patent** (10) **Patent No.:** **US D843,755 S**
Berry, Jr. et al. (45) **Date of Patent:** **** Mar. 26, 2019**

(54) **INFLATABLE CUSHION**

(71) Applicants: **Homer Eugene Berry, Jr.**, Longview, WA (US); **Carl TenBrink**, Huntington Beach, CA (US)

(72) Inventors: **Homer Eugene Berry, Jr.**, Longview, WA (US); **Carl TenBrink**, Huntington Beach, CA (US)

(**) Term: **15 Years**

(21) Appl. No.: **29/649,197**

(22) Filed: **May 28, 2018**

Related U.S. Application Data

(62) Division of application No. 29/575,829, filed on Aug. 29, 2016, now Pat. No. Des. 822,410.

(51) **LOC (11) Cl.** **06-09**

(52) **U.S. Cl.**
USPC **D6/604**

(58) **Field of Classification Search**

USPC D6/333, 349, 355, 375, 388, 512, 563, D6/564, 611, 707, 715, 716, 716.1, D6/582-583, 587-592, 595-609, D6/617-622; D24/183-185, 234, 178, D24/180, 181, 189; D21/803, 804, 805, D21/809, 599; 5/401, 420, 600, 630, 5/631, 632, 633, 635, 636, 638, 639, 646, 5/652, 652.1, 655, 703, 730; 297/1, 2, 4, 297/93, 180.11, 195.1, 195.11, 195.13, 297/393, 397, 452.12, 452.14, 452.15, 297/452.21, 452.24, 452.26, 452.48, 297/452.62, 482; D2/719, 725, 734, 741
CPC A47G 9/10; A47G 9/1009; A47G 9/1027; A47G 9/1045; A47G 9/1063; A47G 9/1072; A47G 9/1081; A47G 9/00; A47G 2009/001; A47G 2009/002; A47G 2009/003; A47G 2009/005; A47G 2009/006; A47G 9/02; A47G 9/0207; A47G 9/0215; A47G 9/0223; A47G

9/023; A47G 9/0238; A47G 9/0246; A47G 9/0253; A47G 9/0261; A47G 9/06; A47G 9/062; A47G 9/066; A47G 9/068; A47G 9/08; A47G 2009/0276; A47G 9/0284; A47G 9/0292; A47G 9/04

See application file for complete search history.

(56) **References Cited**

U.S. PATENT DOCUMENTS

4,206,524 A * 6/1980 Cook A61G 7/057
5/630
D271,647 S * 12/1983 McLeod D6/596
D309,542 S * 7/1990 Glenn 5/652

(Continued)

Primary Examiner — Michelle E. Wilson

Assistant Examiner — Sanjeev Paul

(74) *Attorney, Agent, or Firm* — Quickpatents, LLC; Kevin Prince

(57) **CLAIM**

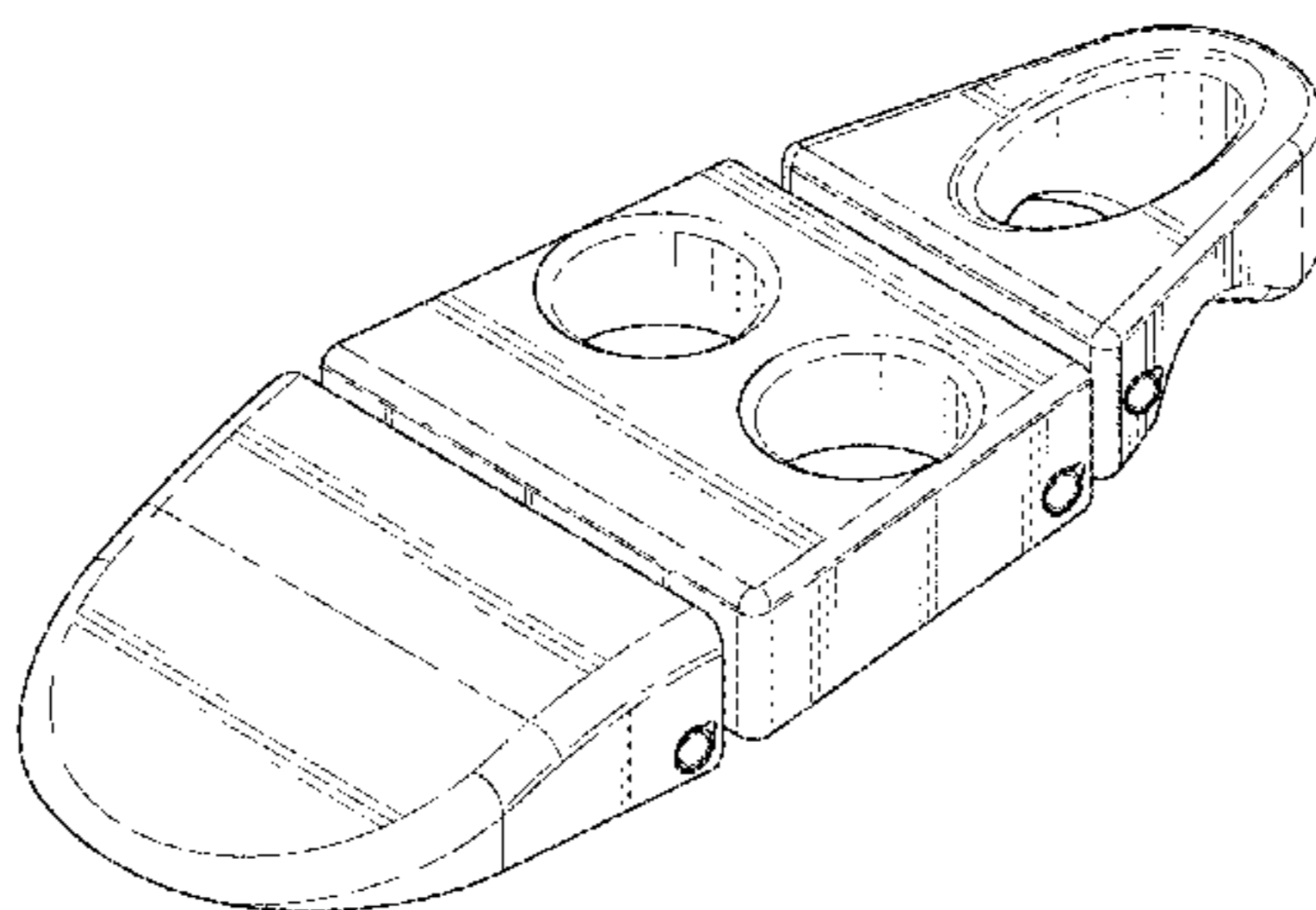
We claim the ornamental design for an inflatable cushion, as shown and described.

DESCRIPTION

FIG. 1 is a perspective view of an inflatable cushion, showing our new design in a flat configuration; FIG. 2 is an exploded perspective view thereof; FIG. 3 is an exploded rear elevational view thereof; FIG. 4 is an exploded front elevational view thereof; FIG. 5 is an exploded right-side elevational view thereof; FIG. 6 is an exploded left-side elevational view thereof; FIG. 7 is an exploded top plan view thereof; FIG. 8 is an exploded bottom plan view thereof; and, FIG. 9 is a perspective view thereof, illustrated in a seat-configuration.

The broken lines showing a person in FIG. 9 depict environmental matter that forms no part of the claimed design.

1 Claim, 7 Drawing Sheets



(56)

References Cited

U.S. PATENT DOCUMENTS

D310,312 S	*	9/1990	Wong	D6/596
D341,406 S	*	11/1993	Scheurer	D21/805
D357,595 S	*	4/1995	Roschacher	5/706
D366,084 S	*	1/1996	Wolfe	D21/809
D375,989 S	*	11/1996	Jacobs	D21/809
D387,838 S	*	12/1997	Canela	D21/803
D415,281 S	*	10/1999	Swedberg	D24/183
D527,822 S	*	9/2006	Trevino	D24/183
D578,220 S	*	10/2008	Ebarb	D24/184
D752,359 S	*	3/2016	Lee	D6/601
D822,410 S	*	7/2018	Berry, Jr.	D6/604

* cited by examiner

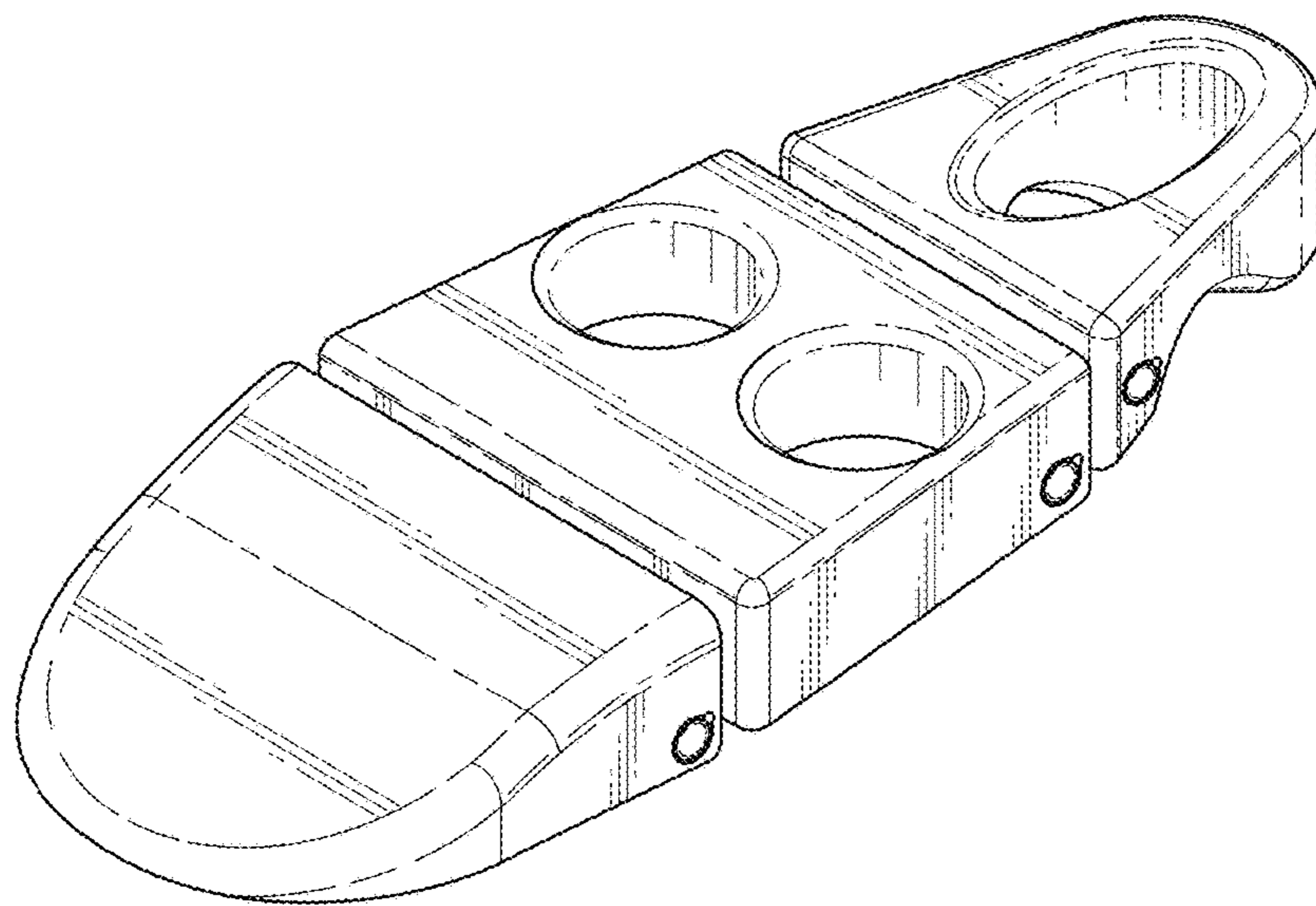


FIG. 1

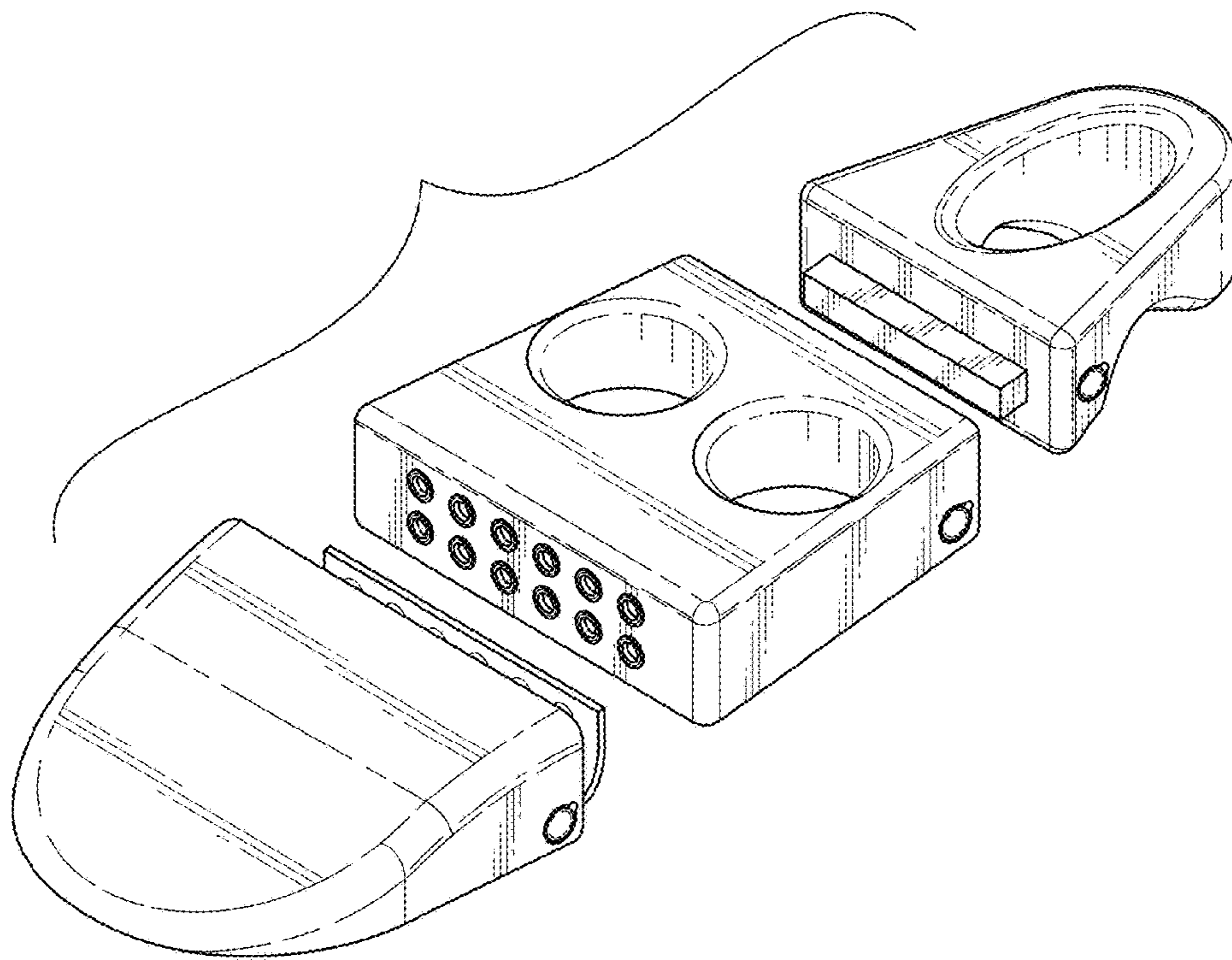
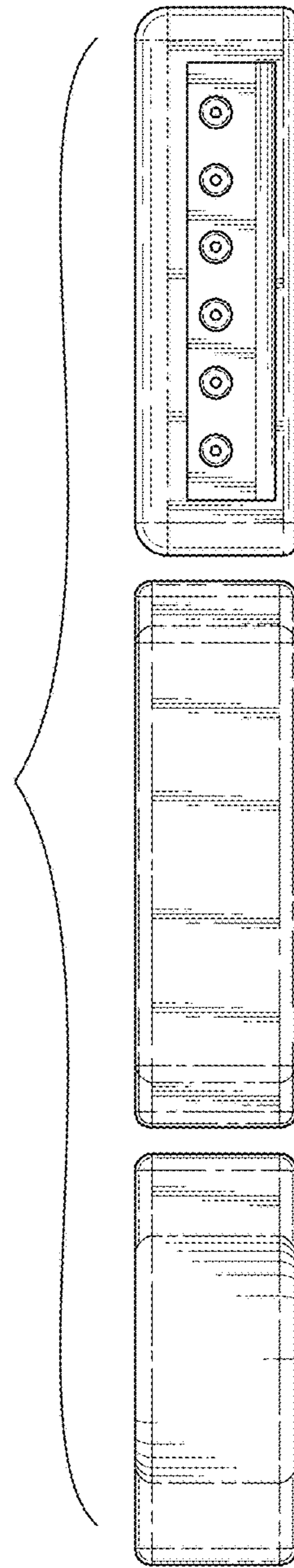
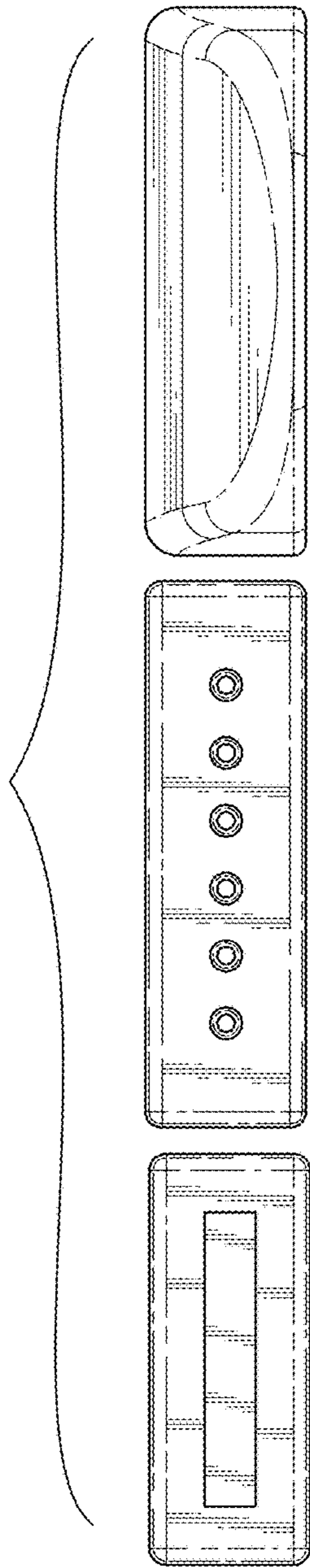


FIG. 2



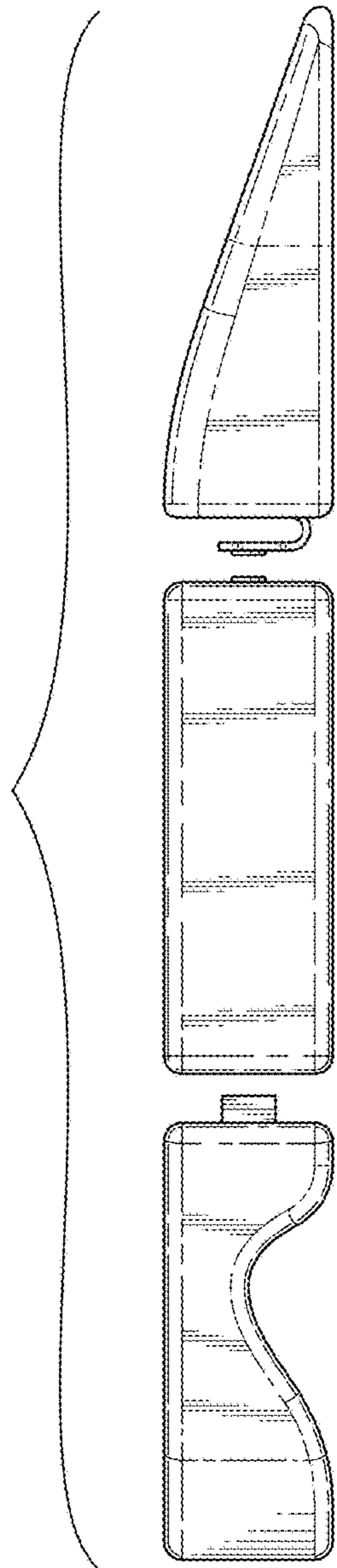


FIG. 5

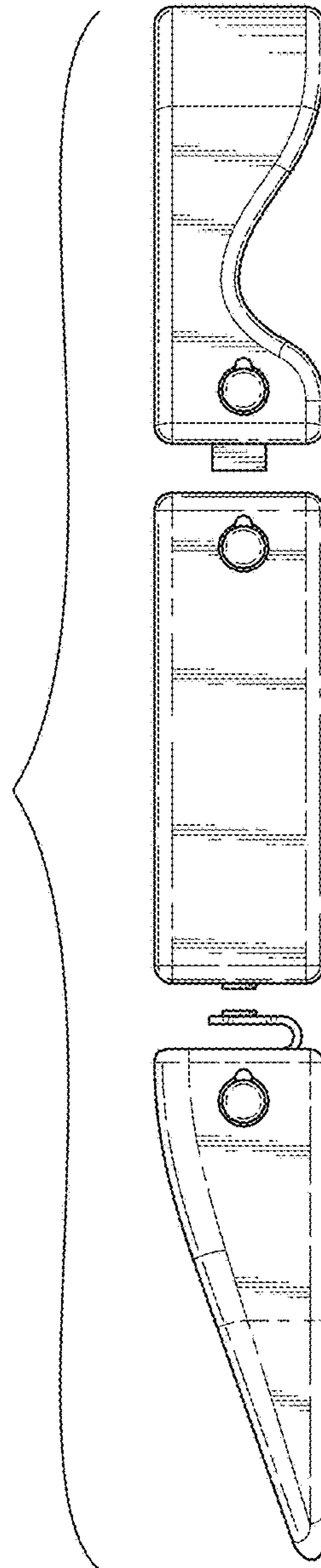


FIG. 6

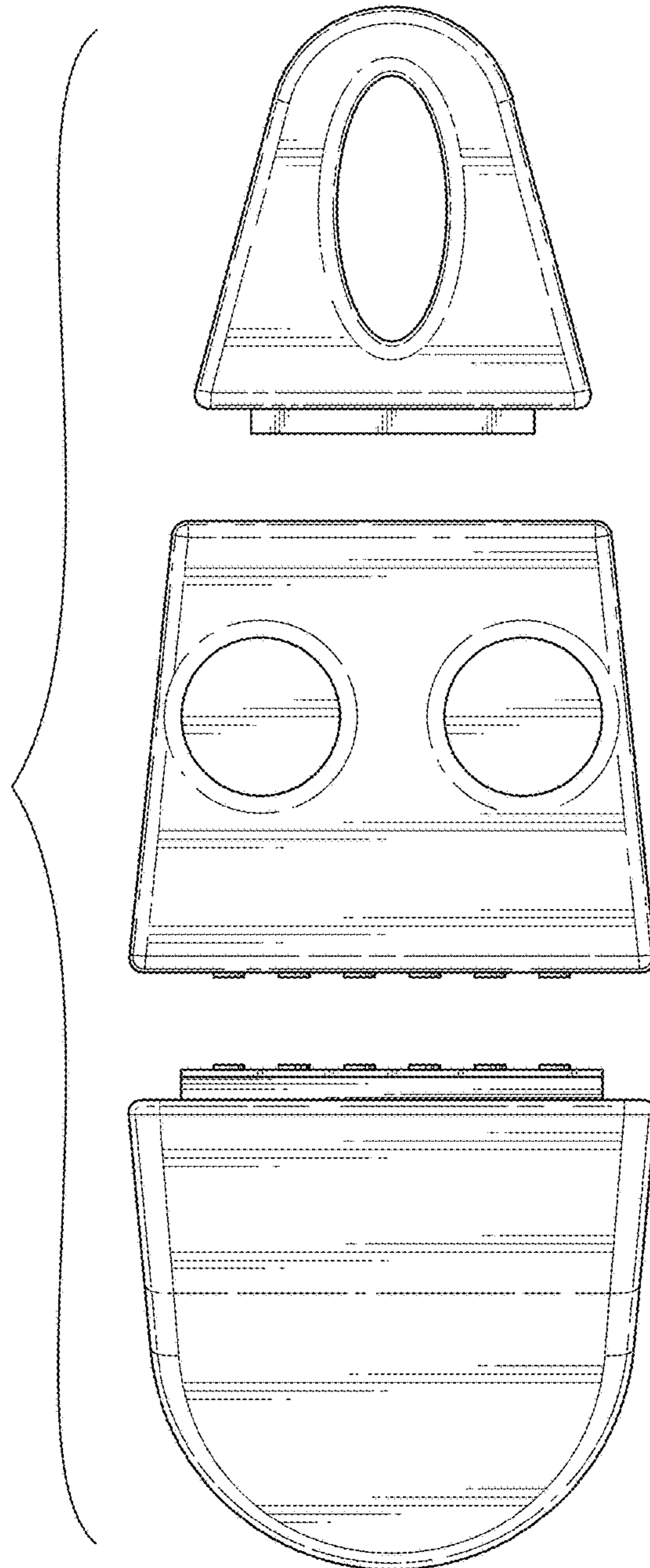


FIG. 7

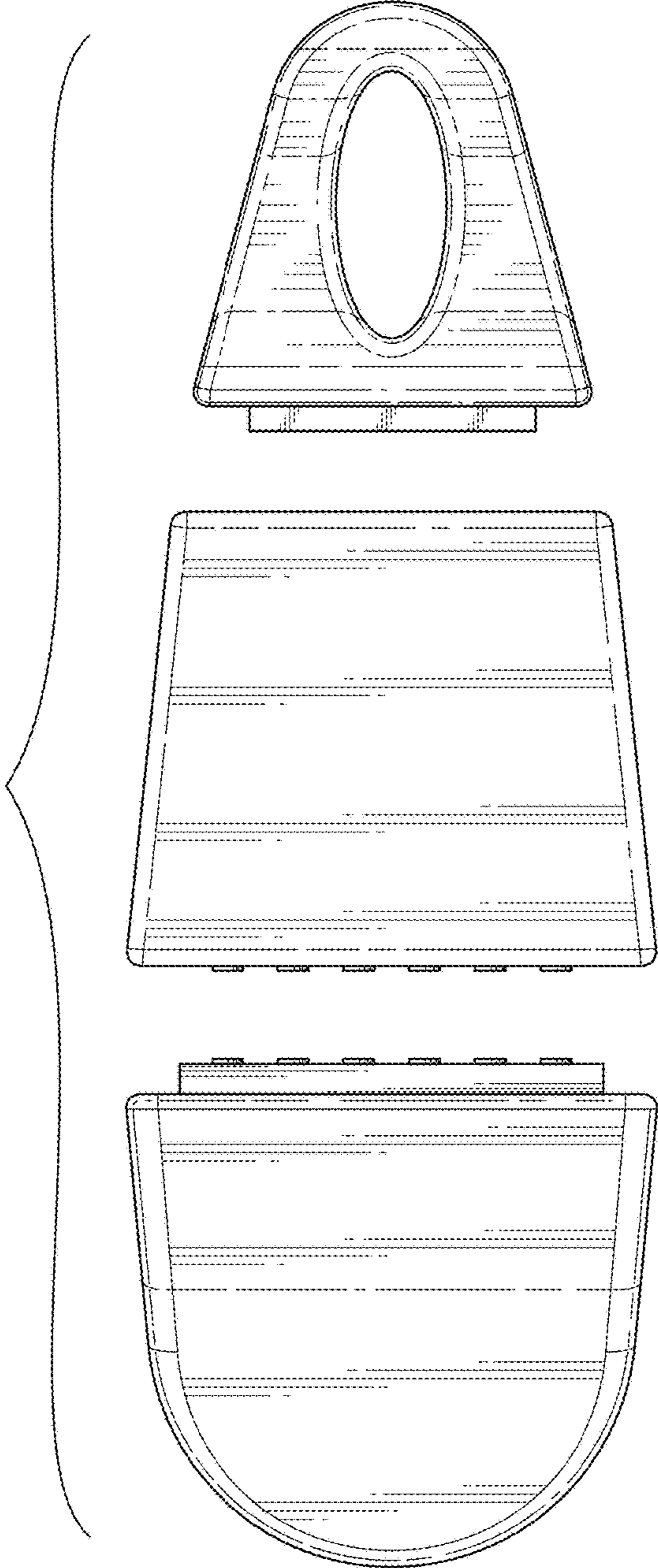


FIG. 8

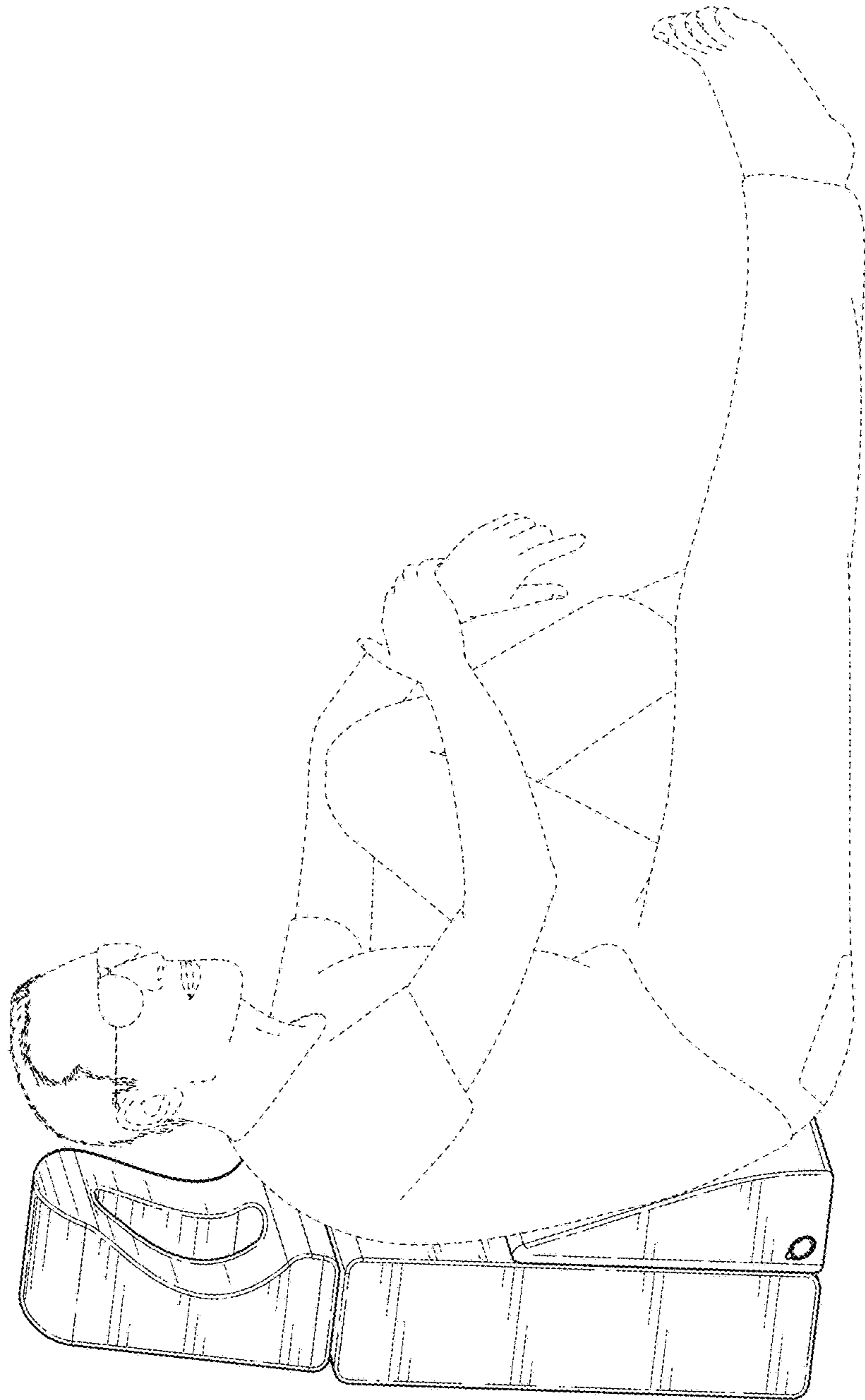


FIG. 9