



US00D843743S

(12) **United States Design Patent**  
**Muller**

(10) **Patent No.:** **US D843,743 S**

(45) **Date of Patent:** **\*\* Mar. 26, 2019**

(54) **CHAIR/STOOL**

(71) Applicant: **Elite Manufacturing Corporation**,  
Santa Fe Springs, CA (US)

(72) Inventor: **Carl Muller**, Seal Beach, CA (US)

(73) Assignee: **Elite Manufacturing Corporation**,  
Santa Fe Springs, CA (US)

(\*\*) Term: **15 Years**

(21) Appl. No.: **29/563,903**

(22) Filed: **May 9, 2016**

(51) **LOC (11) Cl.** ..... **06-01**

(52) **U.S. Cl.**  
USPC ..... **D6/334; D6/379**

(58) **Field of Classification Search**  
USPC ..... D6/334, 372, 379, 380, 716, 716.1  
CPC .... A47C 1/00; A47C 3/00; A47C 3/12; A47C  
5/00; A47C 5/0125; A47C 7/00; A47C  
7/02; A47C 7/16; A47C 7/36; A47C 7/40;  
A47C 15/00

See application file for complete search history.

(56) **References Cited**

**U.S. PATENT DOCUMENTS**

D396,563 S *	8/1998	Meijer	.....	D6/334
D431,380 S *	10/2000	Hutton	.....	D6/360
D432,806 S *	10/2000	Gomez	.....	D6/379
D443,151 S *	6/2001	Frinier	.....	D6/379
D524,072 S *	7/2006	King	.....	D6/379
D580,676 S *	11/2008	Cramer	.....	D6/379
D648,557 S *	11/2011	Frinier	.....	D6/369
D661,918 S *	6/2012	Ciani	.....	D6/375
D663,131 S *	7/2012	Barefoot	.....	D6/374
D730,069 S *	5/2015	Thuma	.....	D6/336
D802,958 S *	11/2017	Lowsky	.....	D6/379

(Continued)

**OTHER PUBLICATIONS**

Gordon Gullamier for Frag; "Gozo".

(Continued)

*Primary Examiner* — Robin V Webster

*Assistant Examiner* — Keith J Wilson

(74) *Attorney, Agent, or Firm* — Stetina Brunda Garred & Brucker

(57) **CLAIM**

The ornamental design for a chair/stool, as shown and described.

**DESCRIPTION**

FIG. 1 is a front perspective view of the chair/stool of the present invention showing my new design;

FIG. 2 is a top plan view thereof;

FIG. 3 is a front elevational view thereof;

FIG. 4 is a right side elevational view thereof;

FIG. 5 is a left side elevational view thereof;

FIG. 6 is a rear elevational view thereof;

FIG. 7 is a bottom plan view thereof;

FIG. 8 is a front perspective view of a second embodiment of the chair/stool of the present invention showing my new design;

FIG. 9 is a top plan view thereof;

FIG. 10 is a front elevational view thereof;

FIG. 11 is a right side elevational view thereof;

FIG. 12 is a left side elevational view thereof;

FIG. 13 is a rear elevational view thereof;

FIG. 14 is a bottom plan view thereof;

FIG. 15 is a front perspective view of a third embodiment of the chair/stool of the present invention showing my new design;

FIG. 16 is a top plan view thereof;

FIG. 17 is a front elevational view thereof;

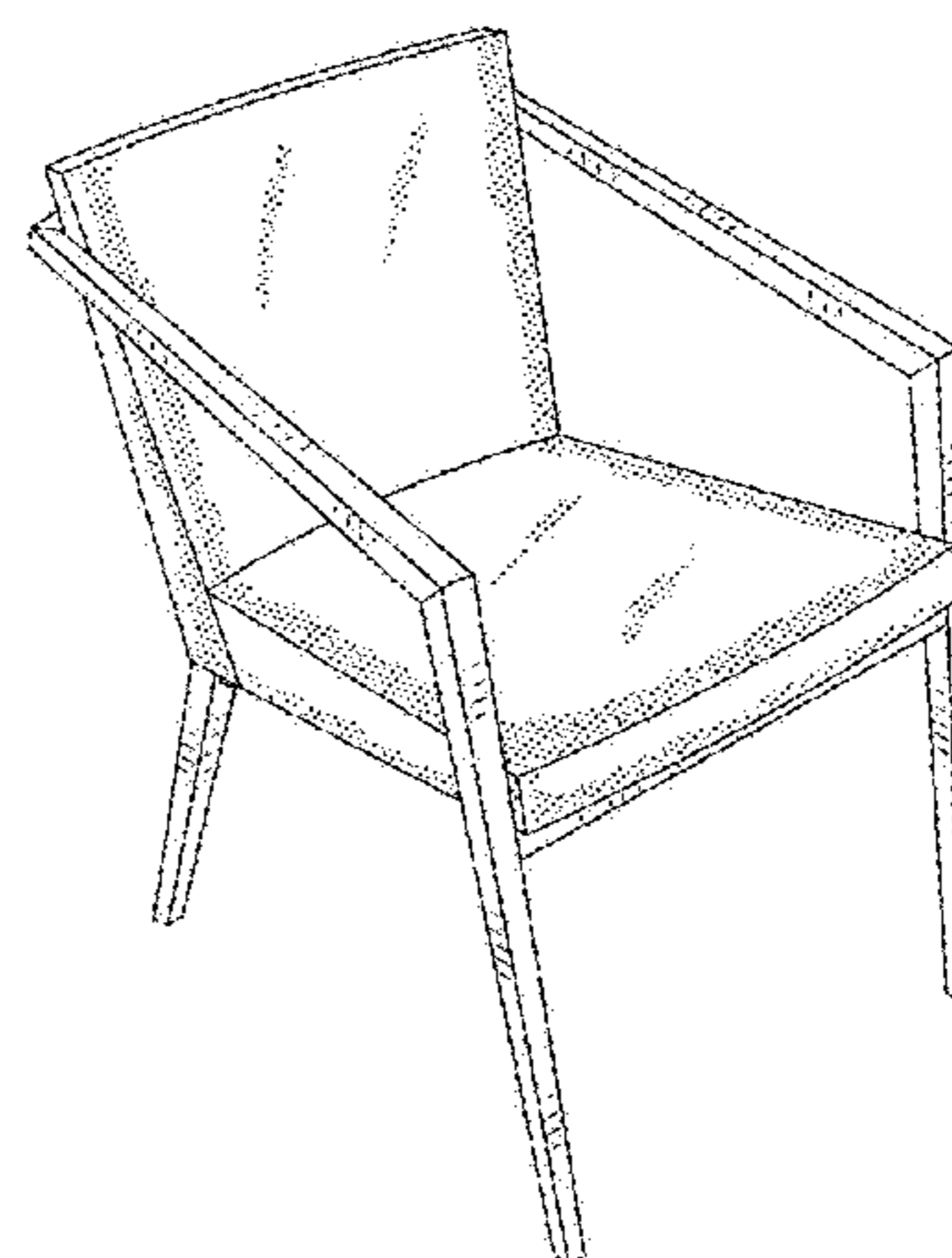
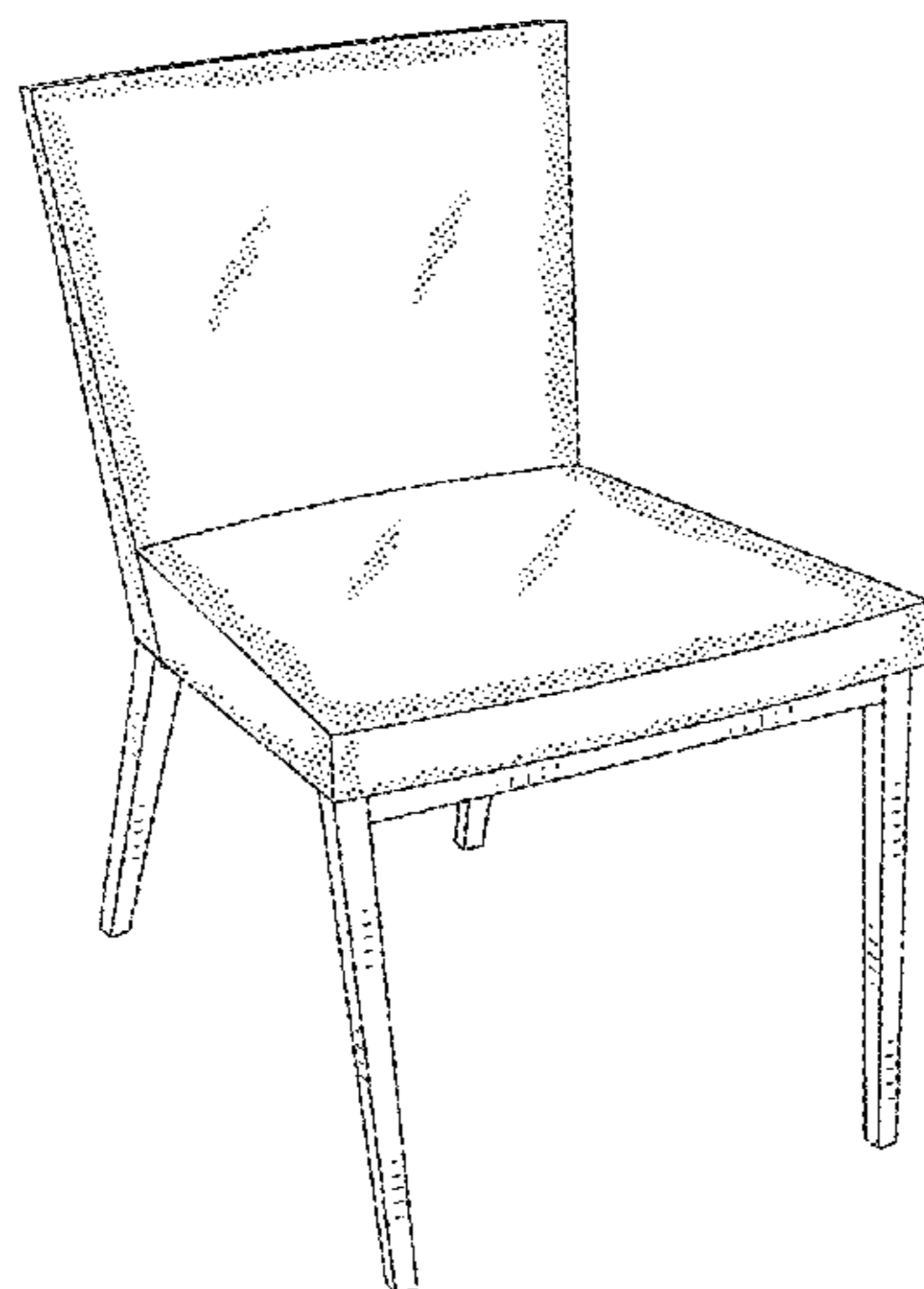
FIG. 18 is a right side elevational view thereof;

FIG. 19 is a left side elevational view thereof;

FIG. 20 is a rear elevational view thereof; and,

FIG. 21 is a bottom plan view thereof.

**1 Claim, 9 Drawing Sheets**



(56)

**References Cited**

U.S. PATENT DOCUMENTS

D805,316 S \* 12/2017 Lowsky ..... D6/379  
D810,457 S \* 2/2018 Natuzzi ..... D6/379  
D815,452 S \* 4/2018 Hannoosh ..... D6/380  
D821,770 S \* 7/2018 Dassen ..... D6/375  
D821,774 S \* 7/2018 Hale ..... D6/375

OTHER PUBLICATIONS

Pietro-Arosio; "Slim".  
Jean Nouvel for Emeco; "So So Chair".  
Shin Azumi for Fomasarig; "Kite".  
Christopher Pillet for Ceccotti Collection; "Rive Droite"; 2011.  
Piero-Lissoni for Milan Collection; "Artelano".

\* cited by examiner

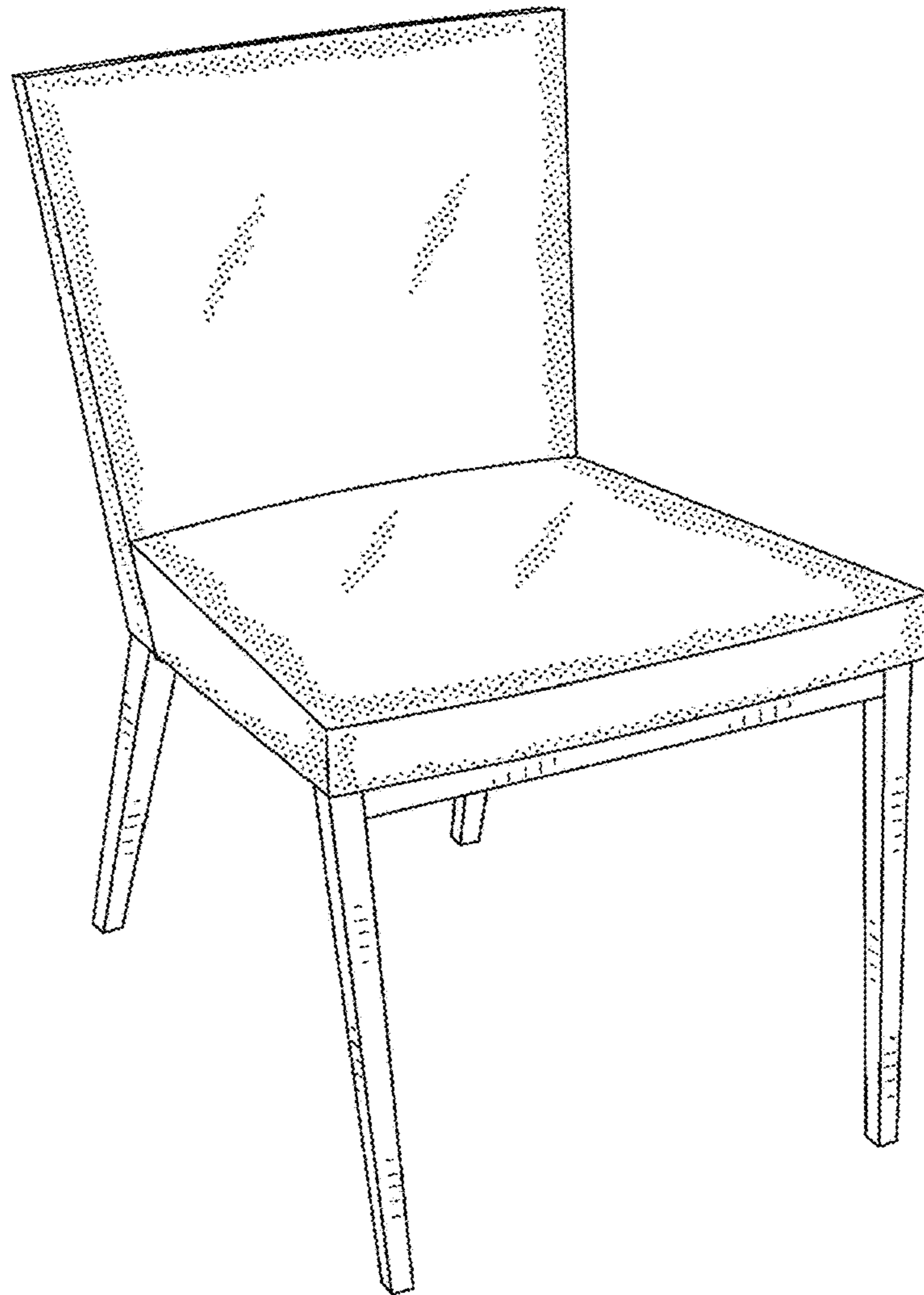


FIG. 1

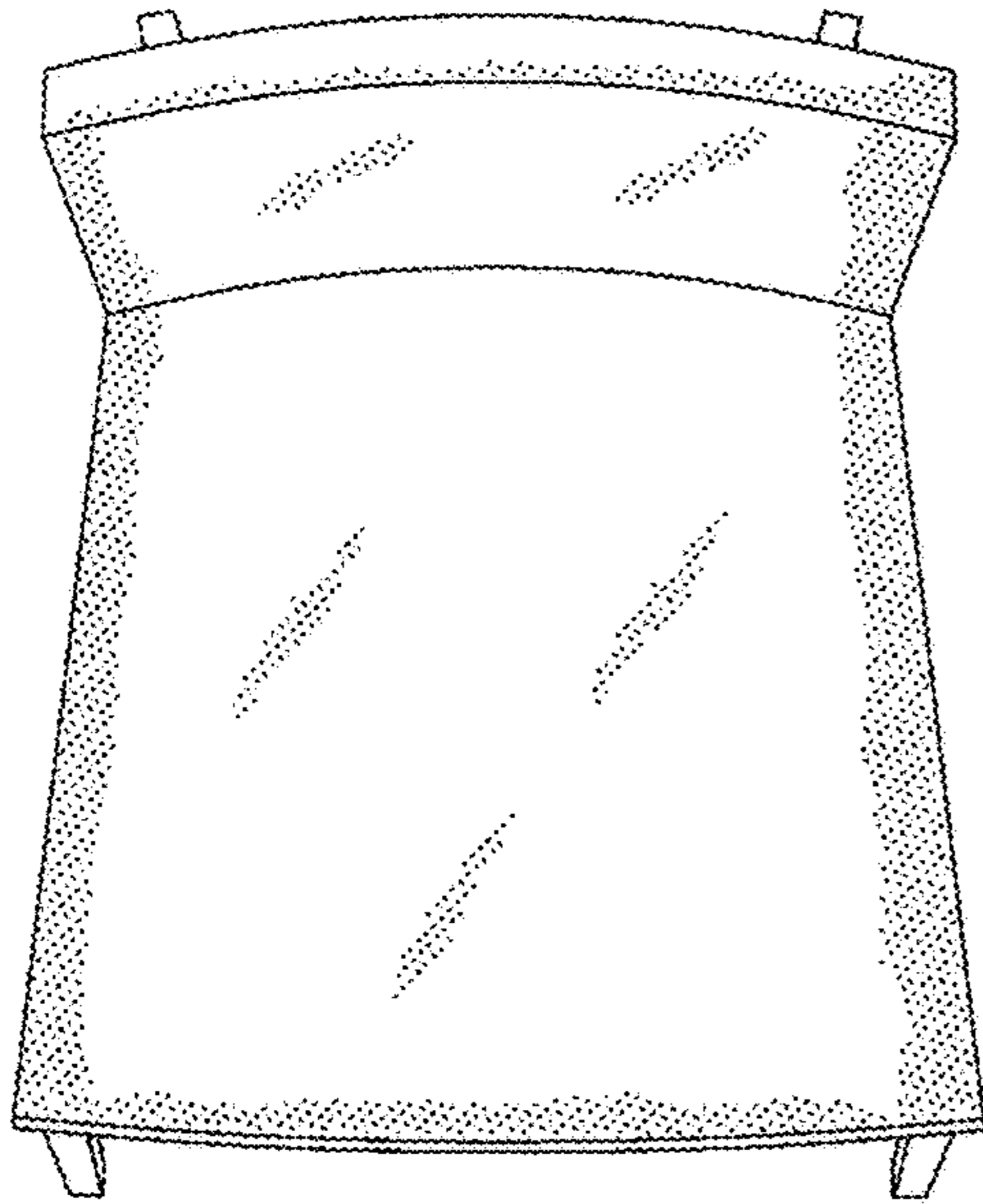


FIG. 2

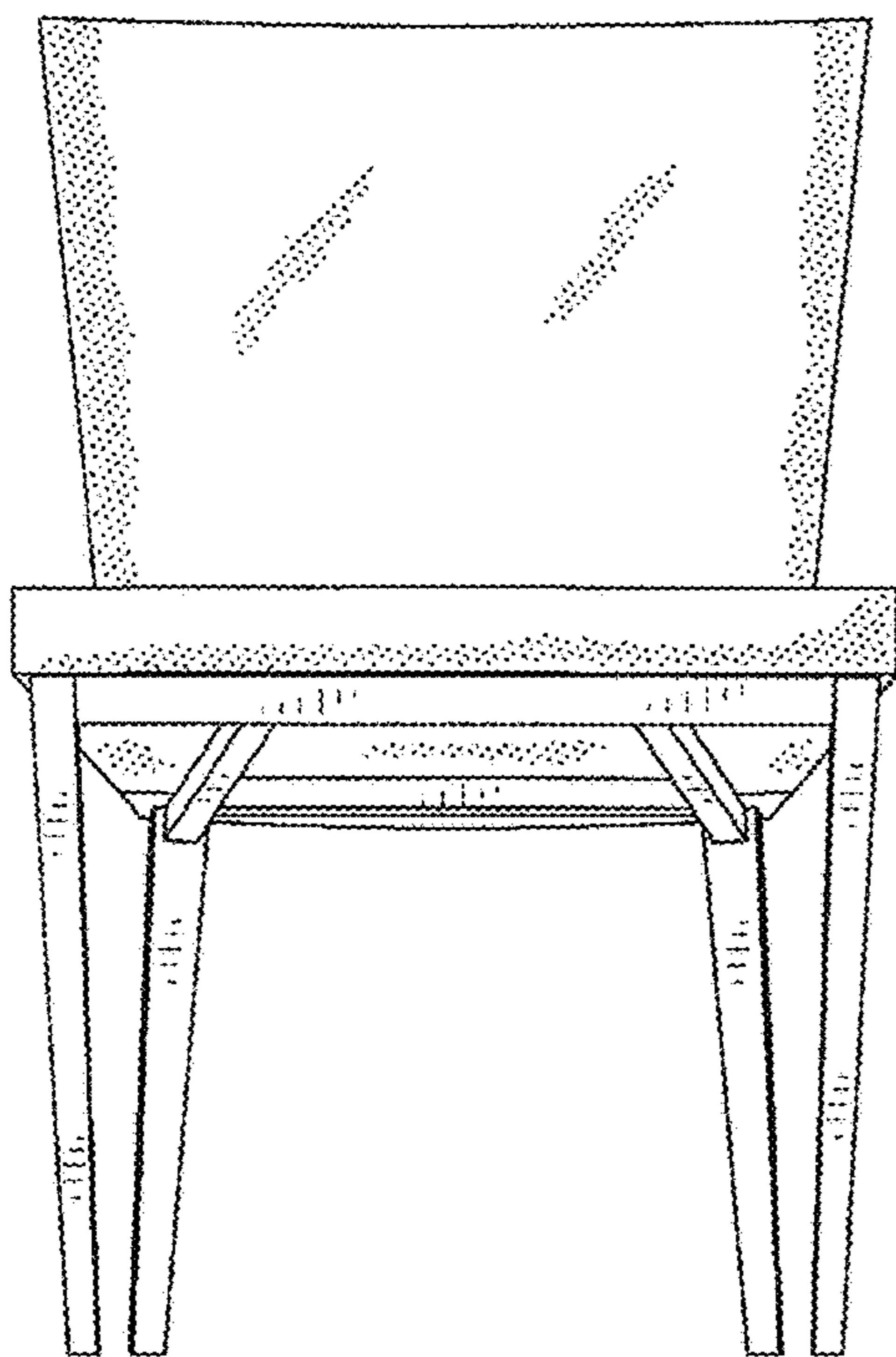


FIG. 3

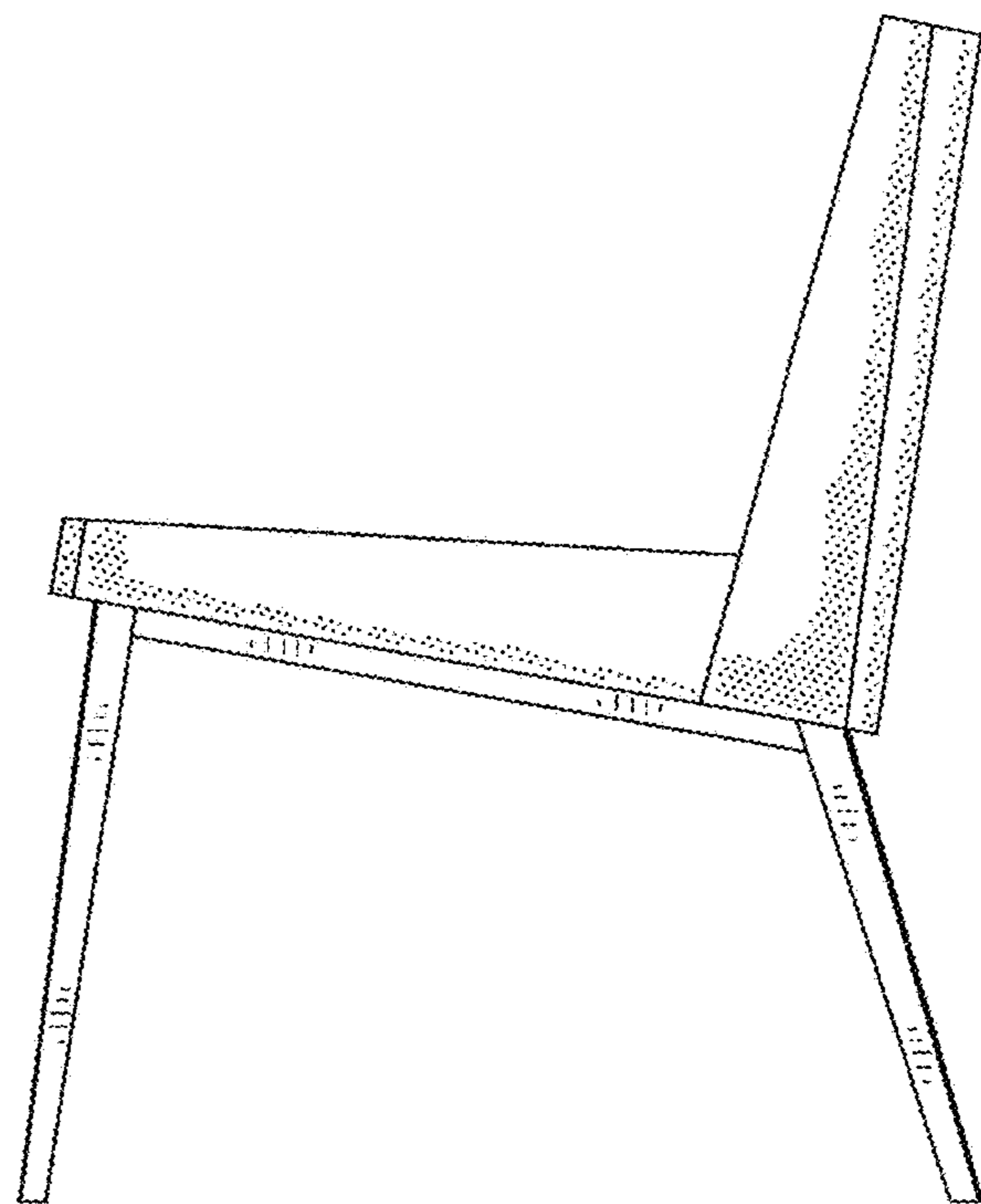


FIG. 4

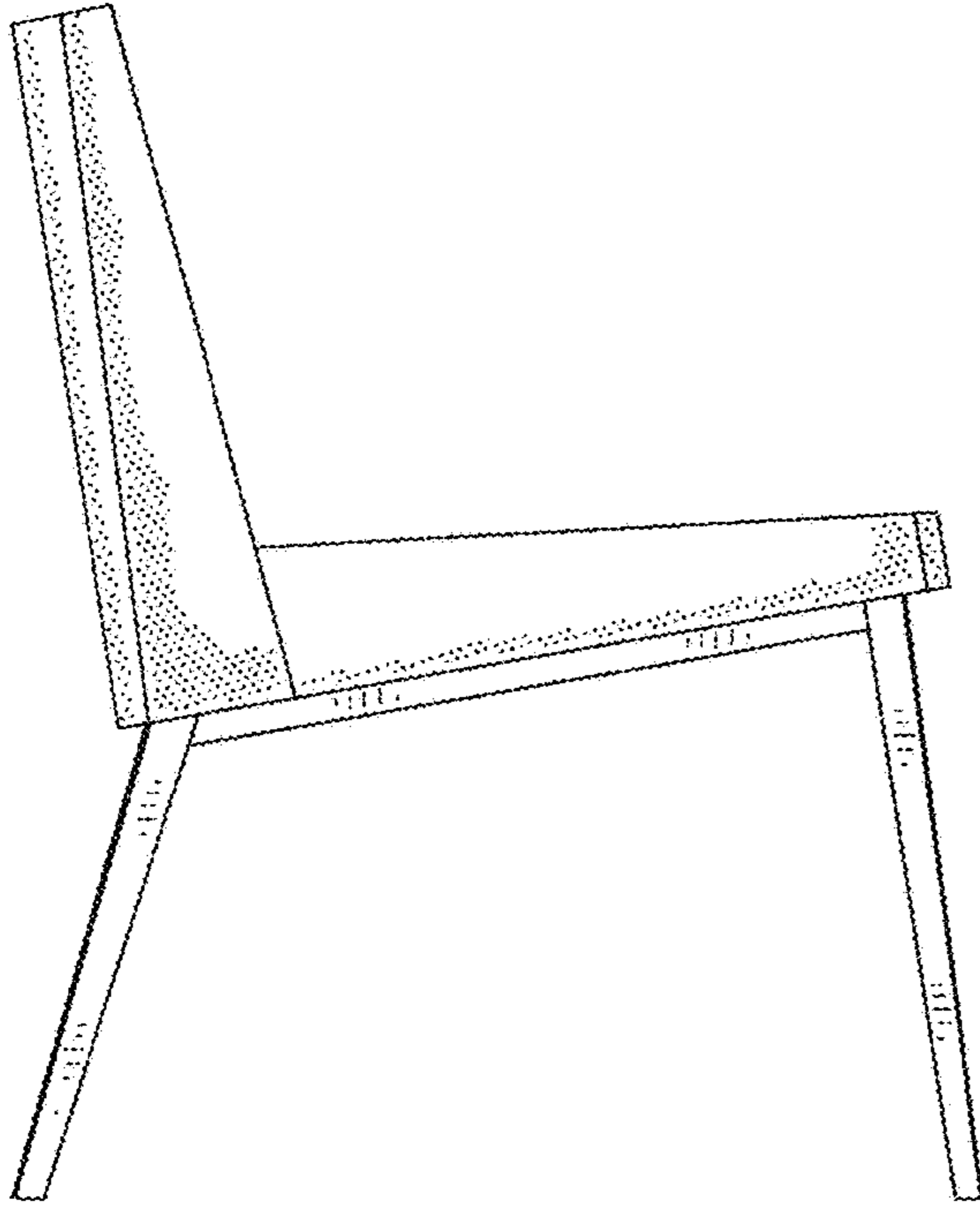


FIG. 5

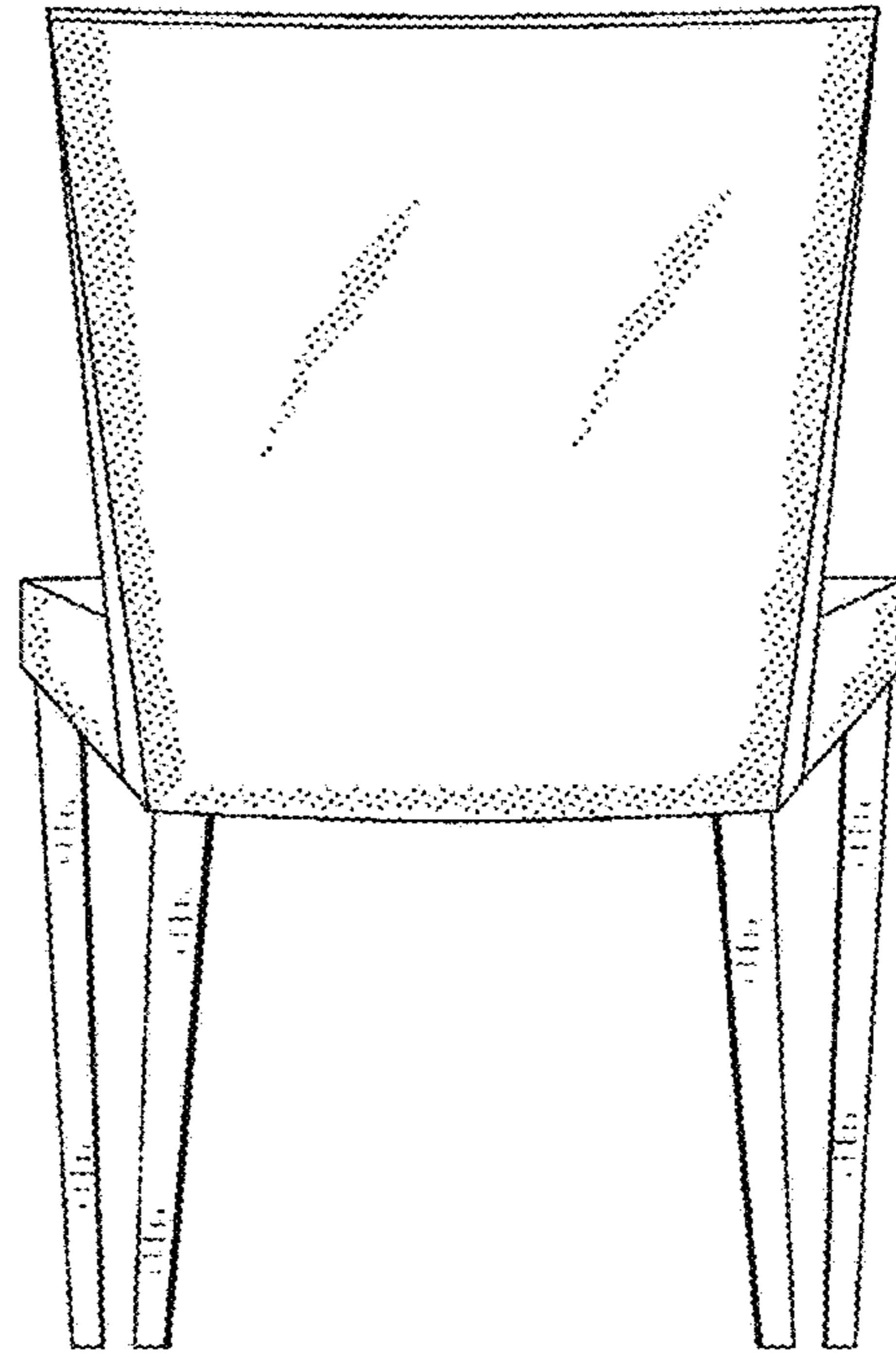


FIG. 6

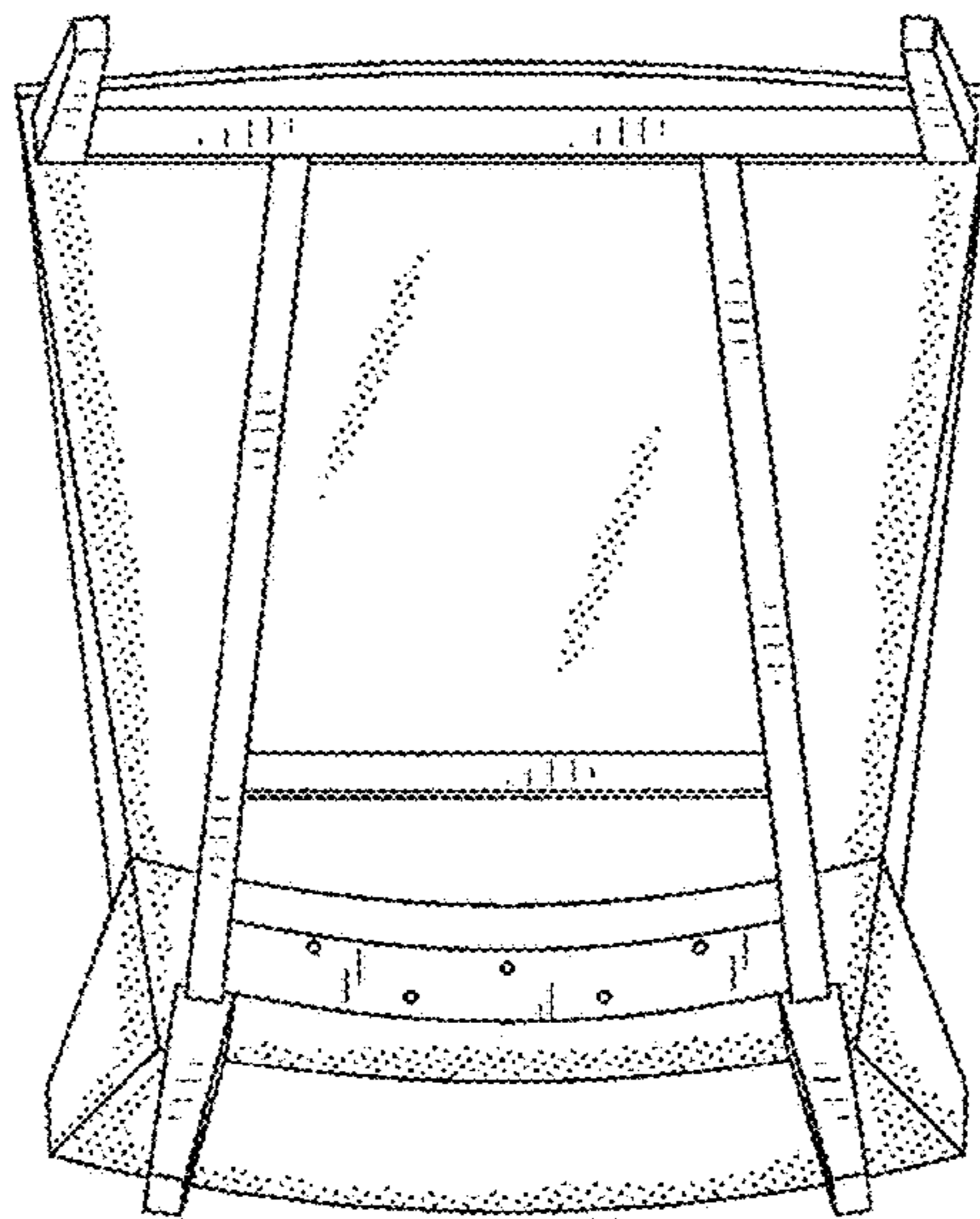


FIG. 7

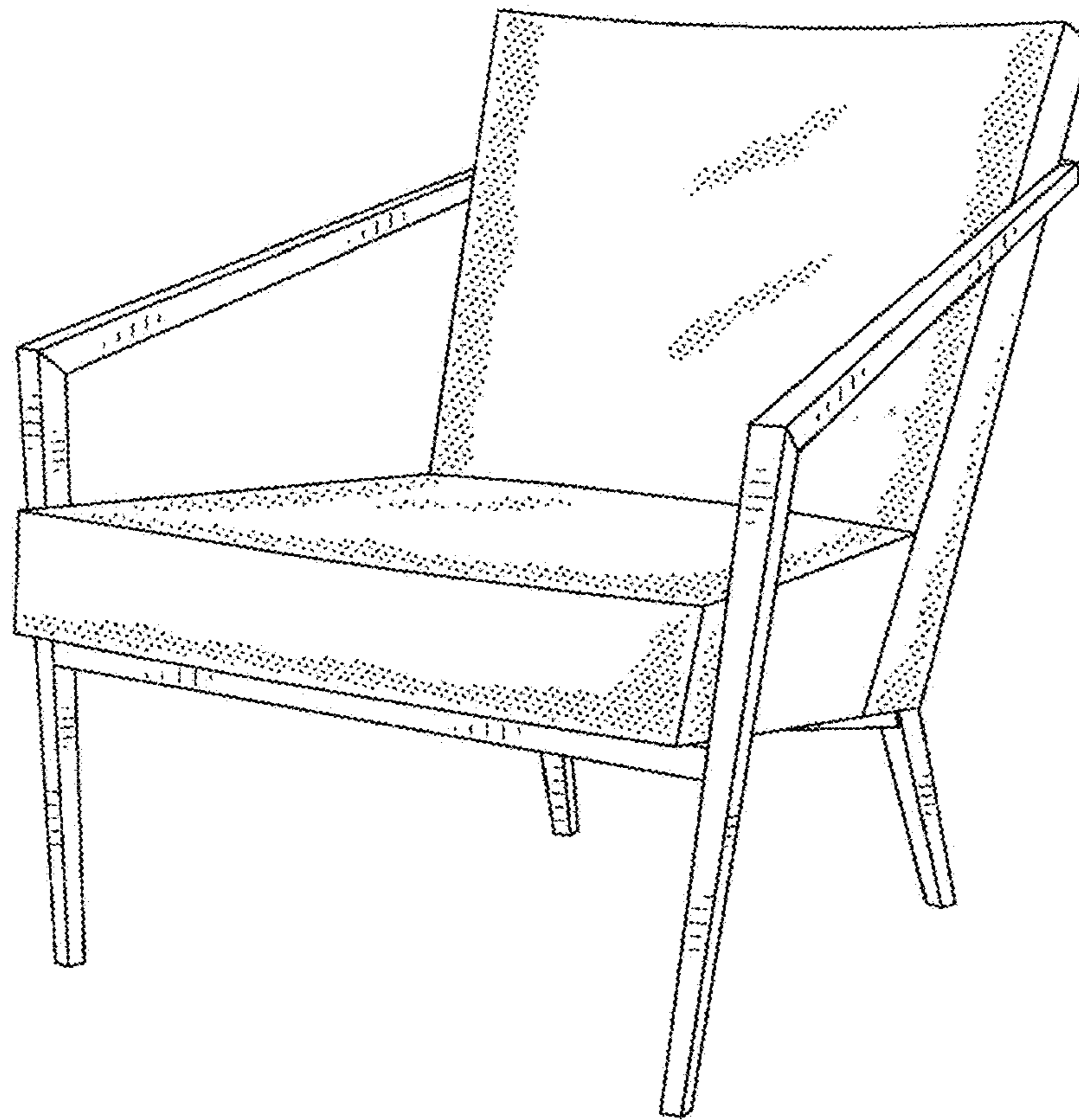


FIG. 8

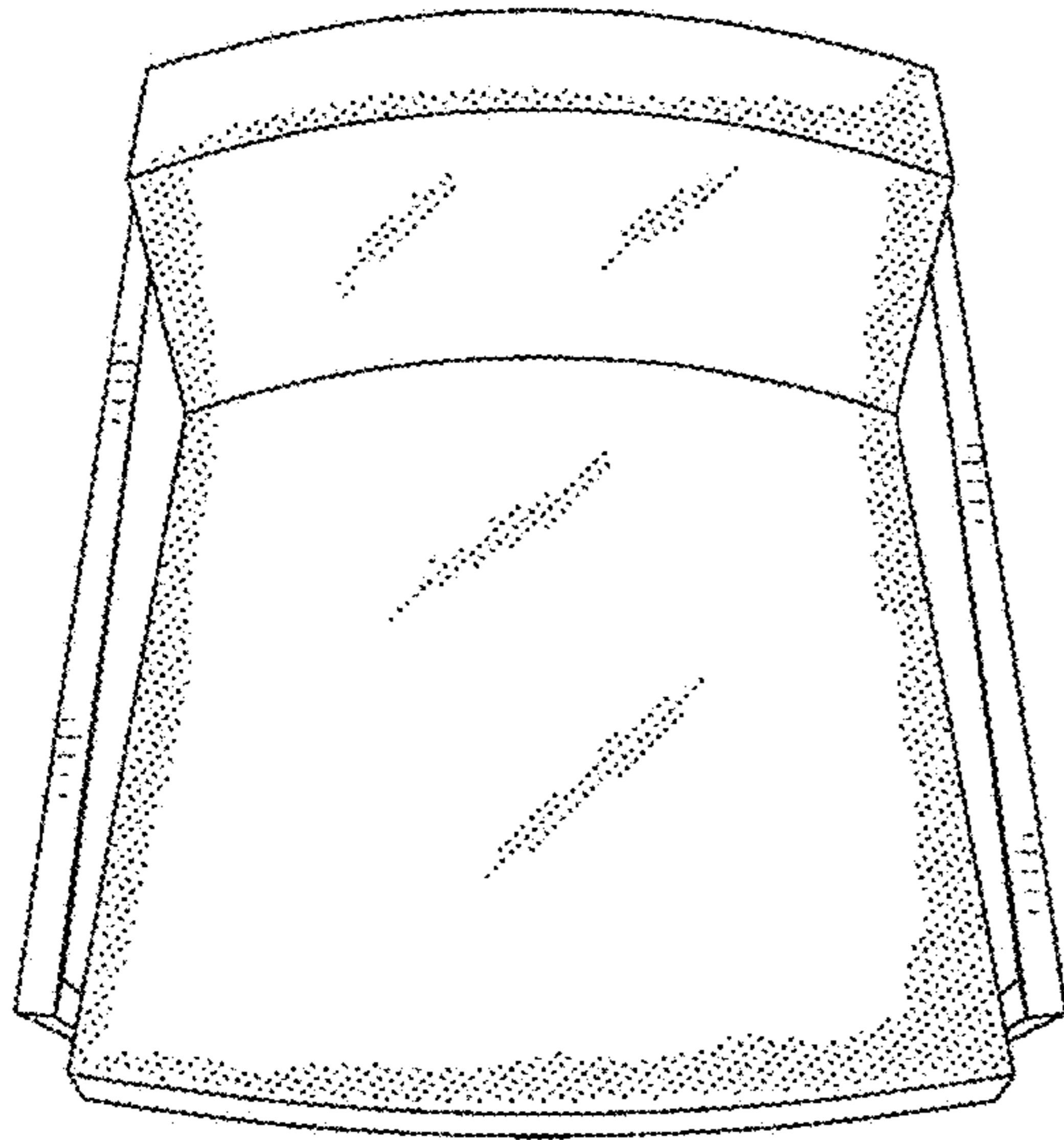


FIG. 9

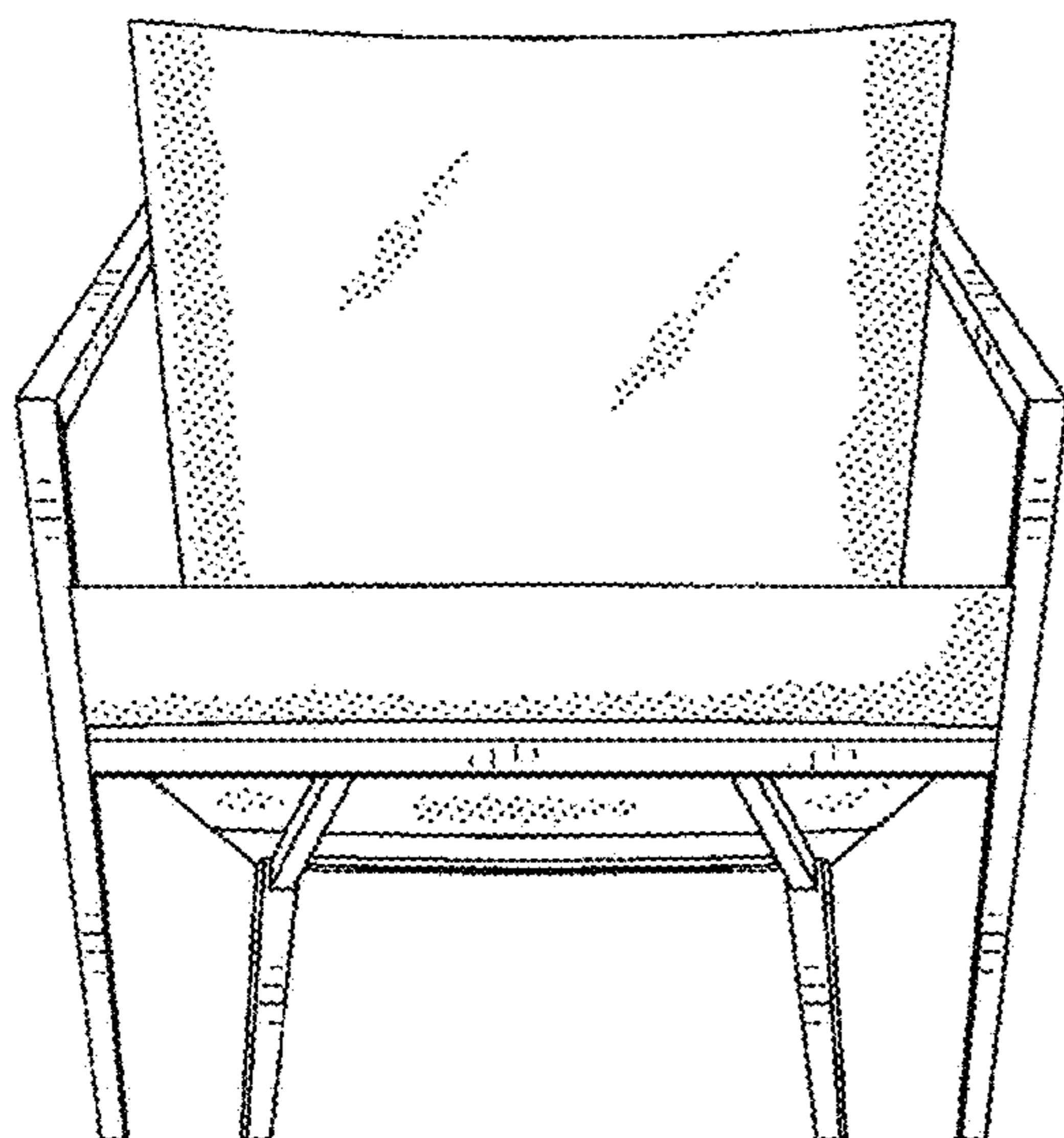


FIG. 10

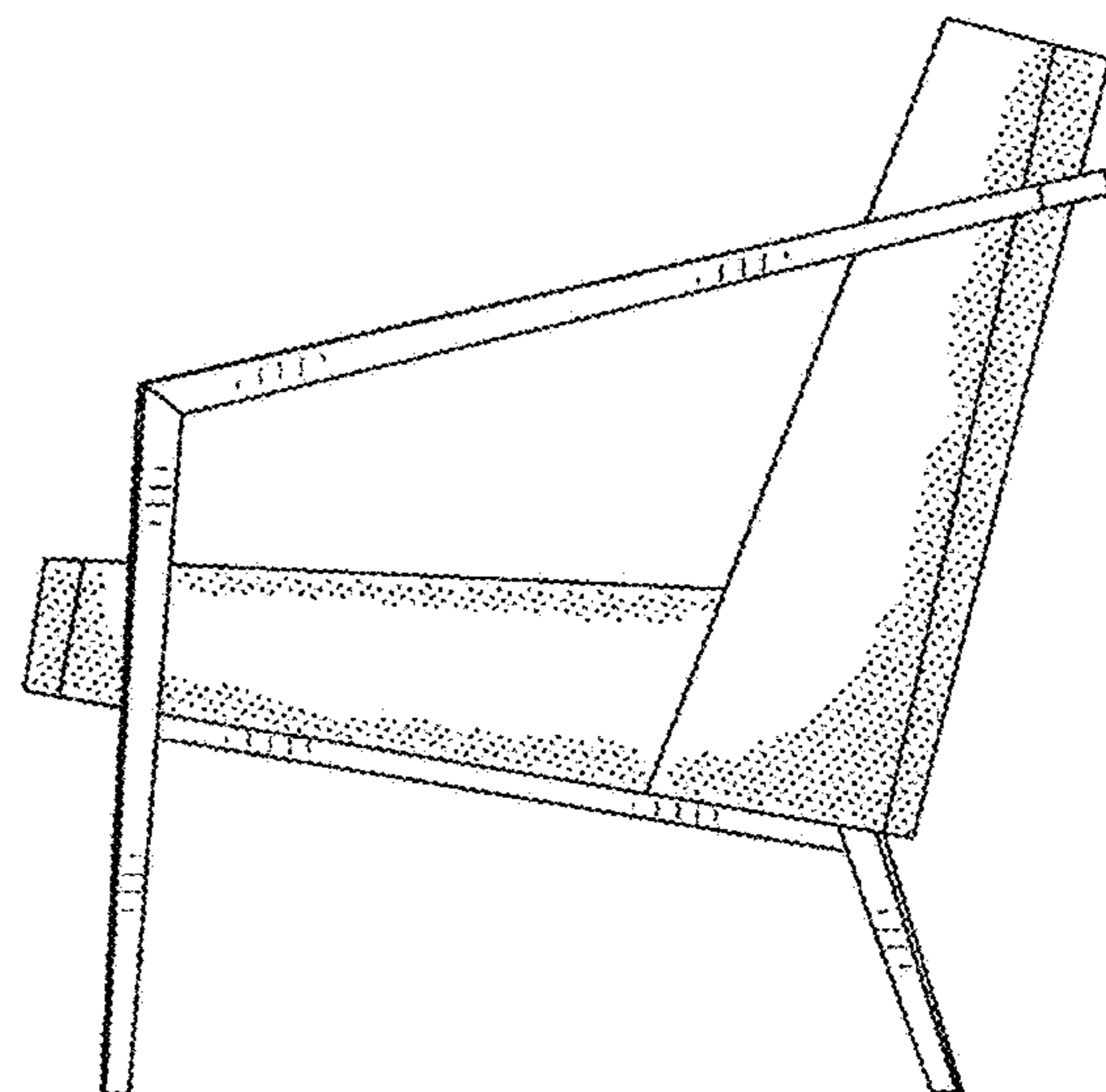


FIG. 11

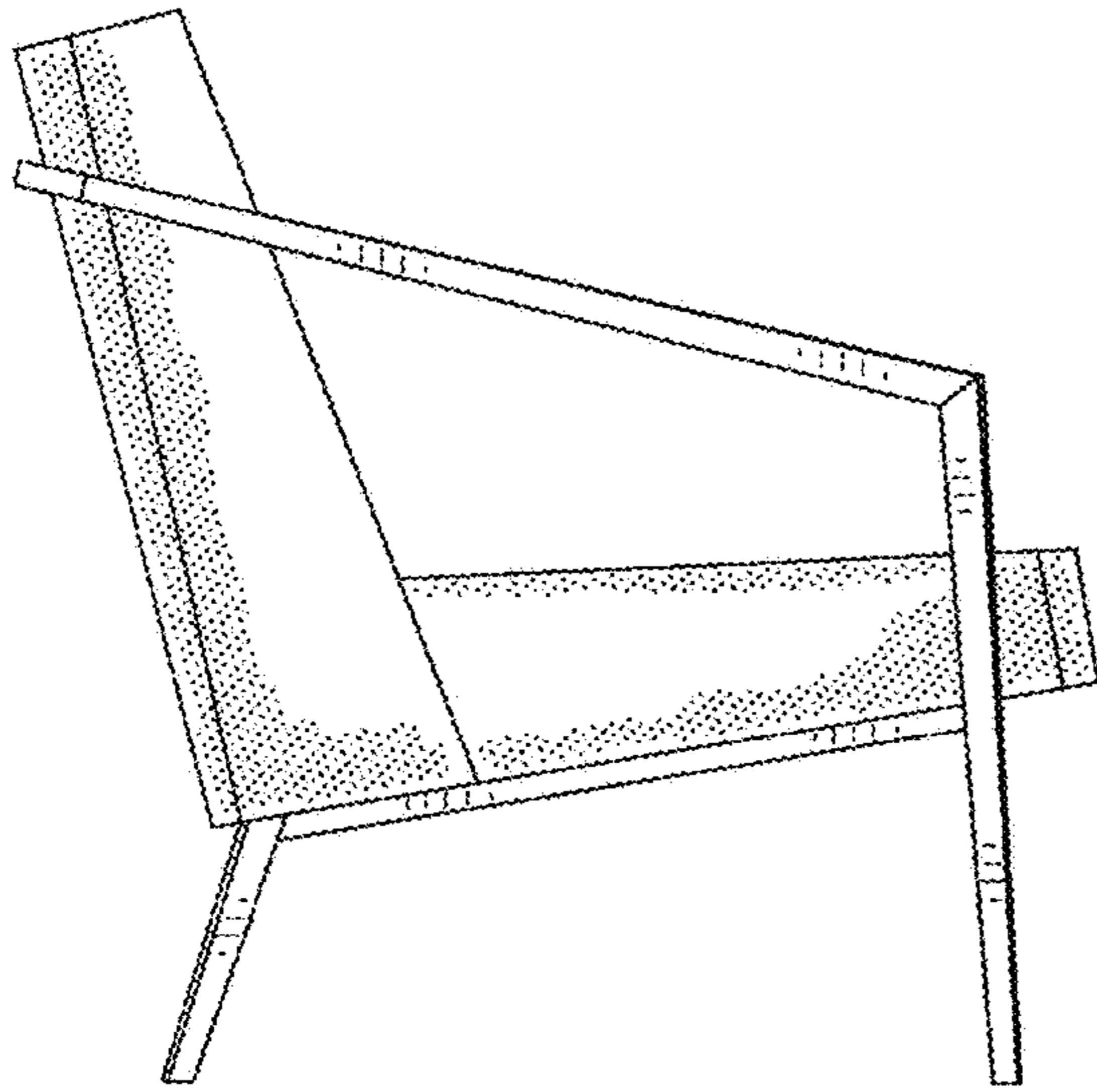


FIG. 12

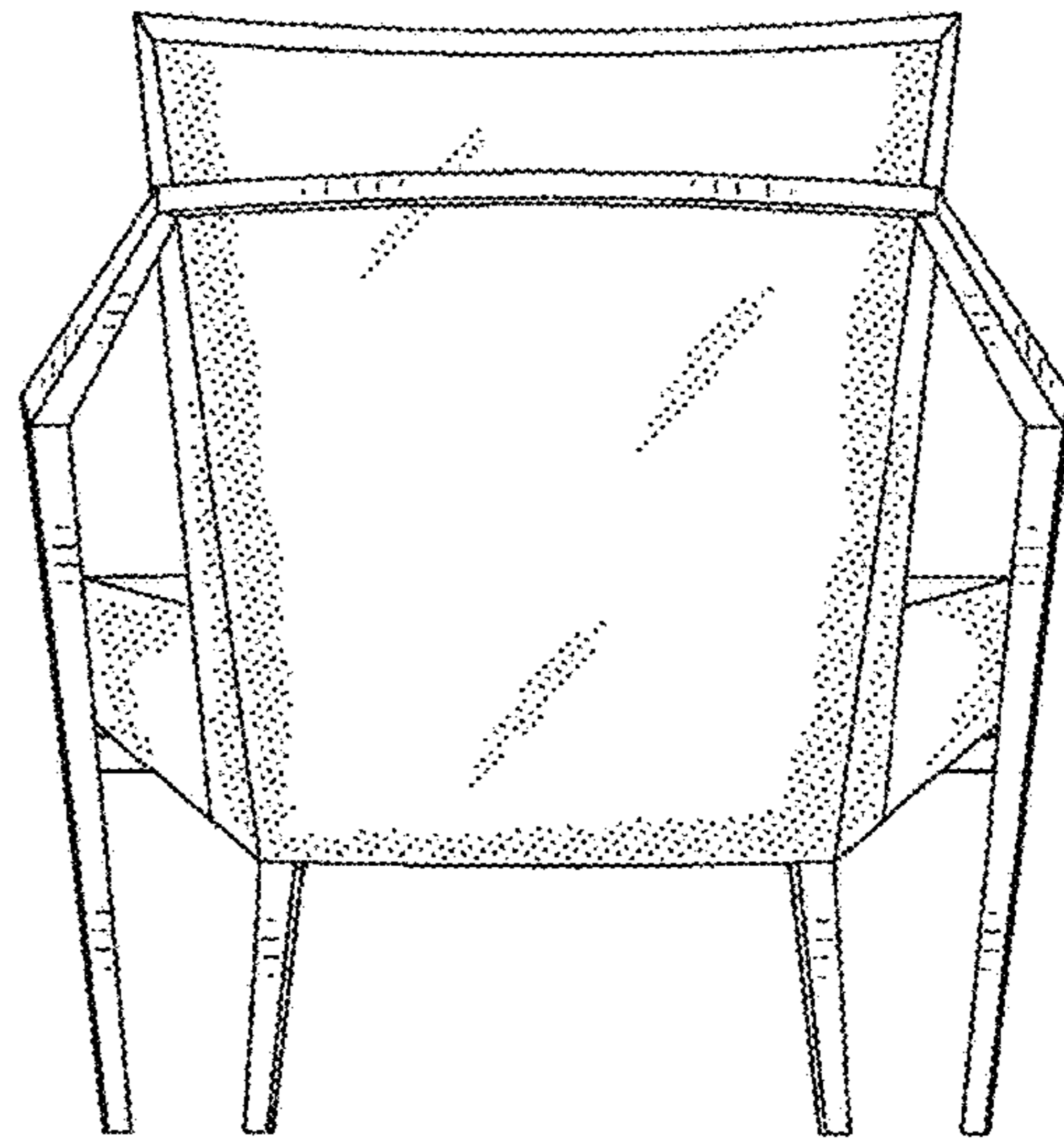


FIG. 13

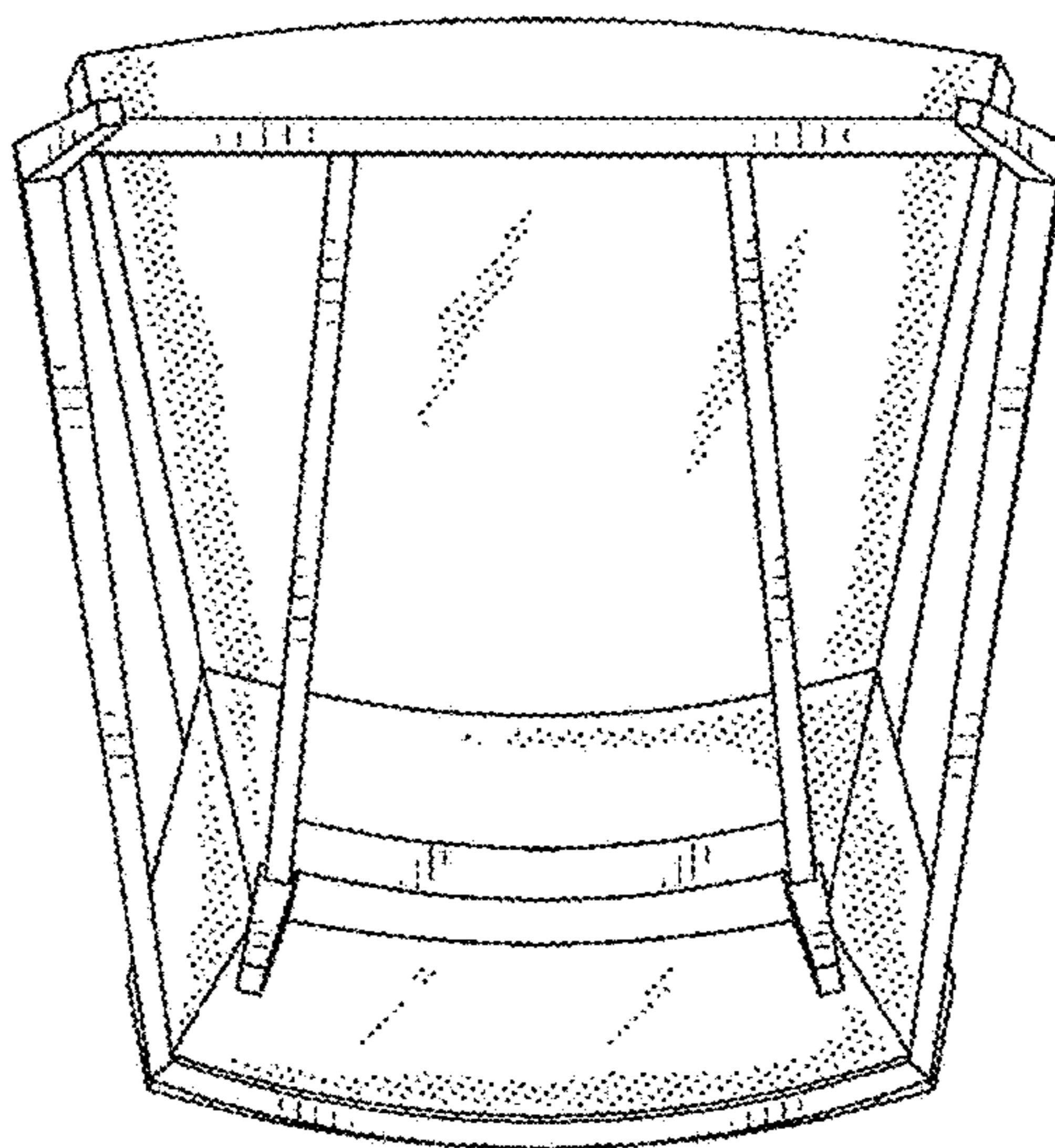


FIG. 14



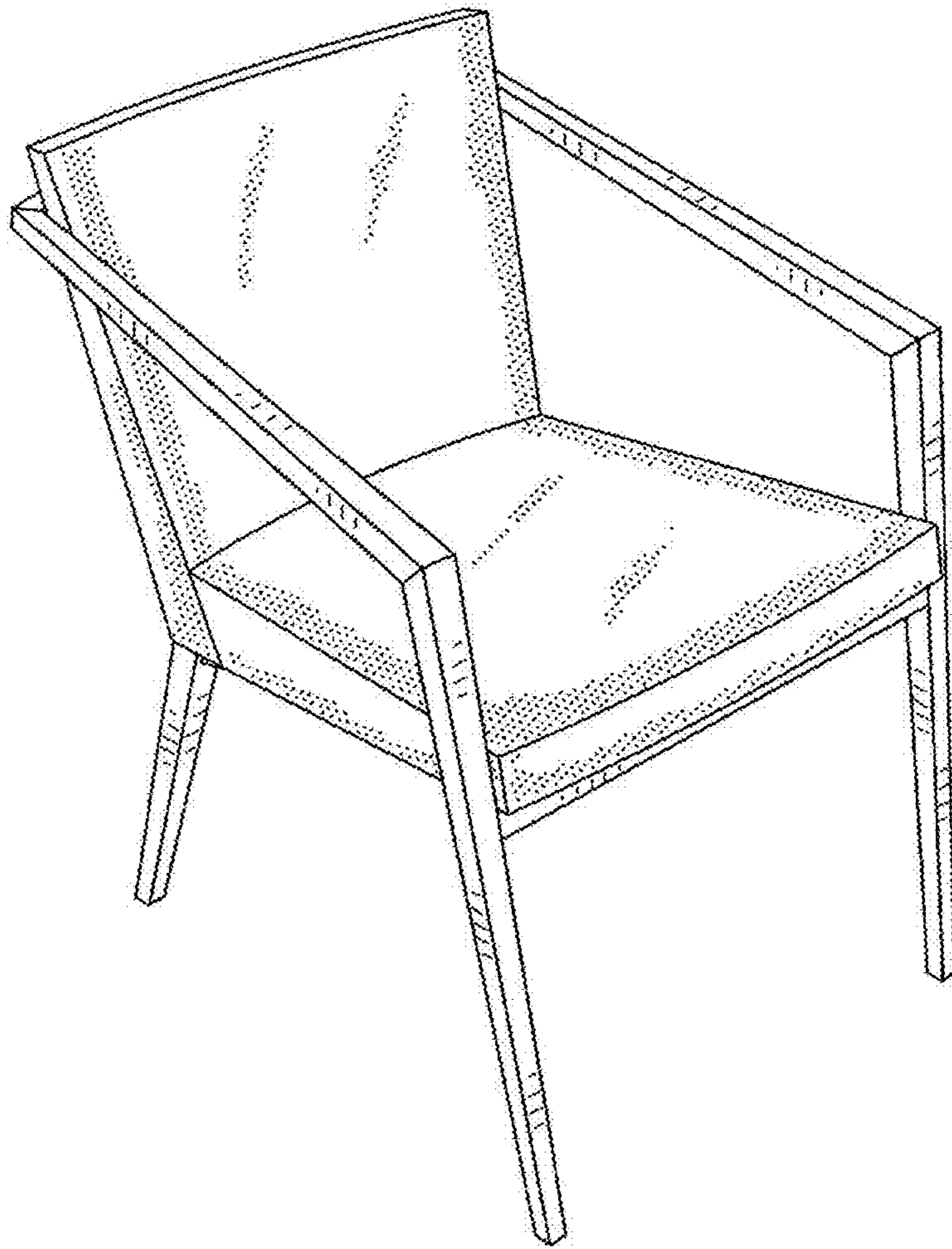


FIG. 15

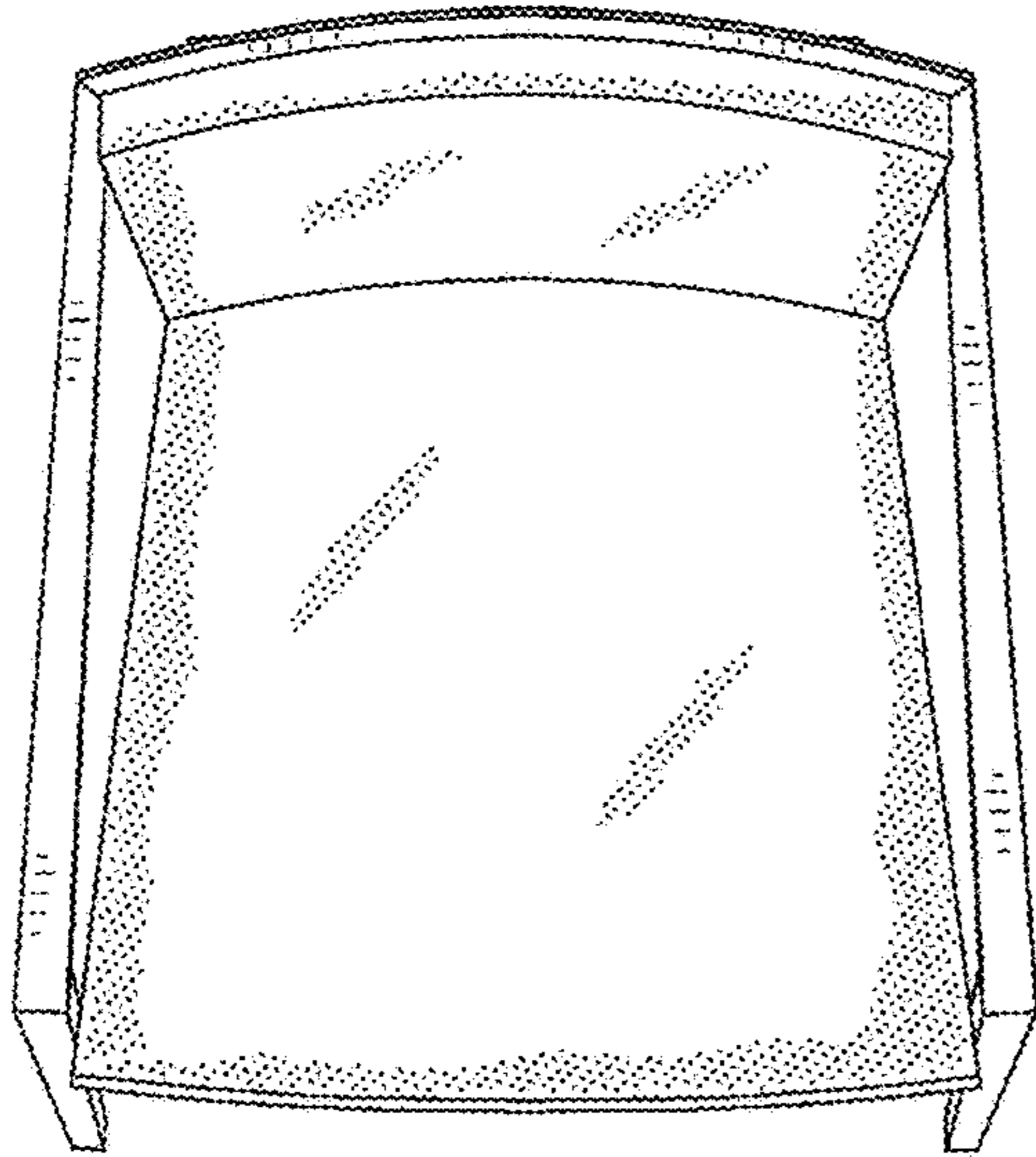


FIG. 16

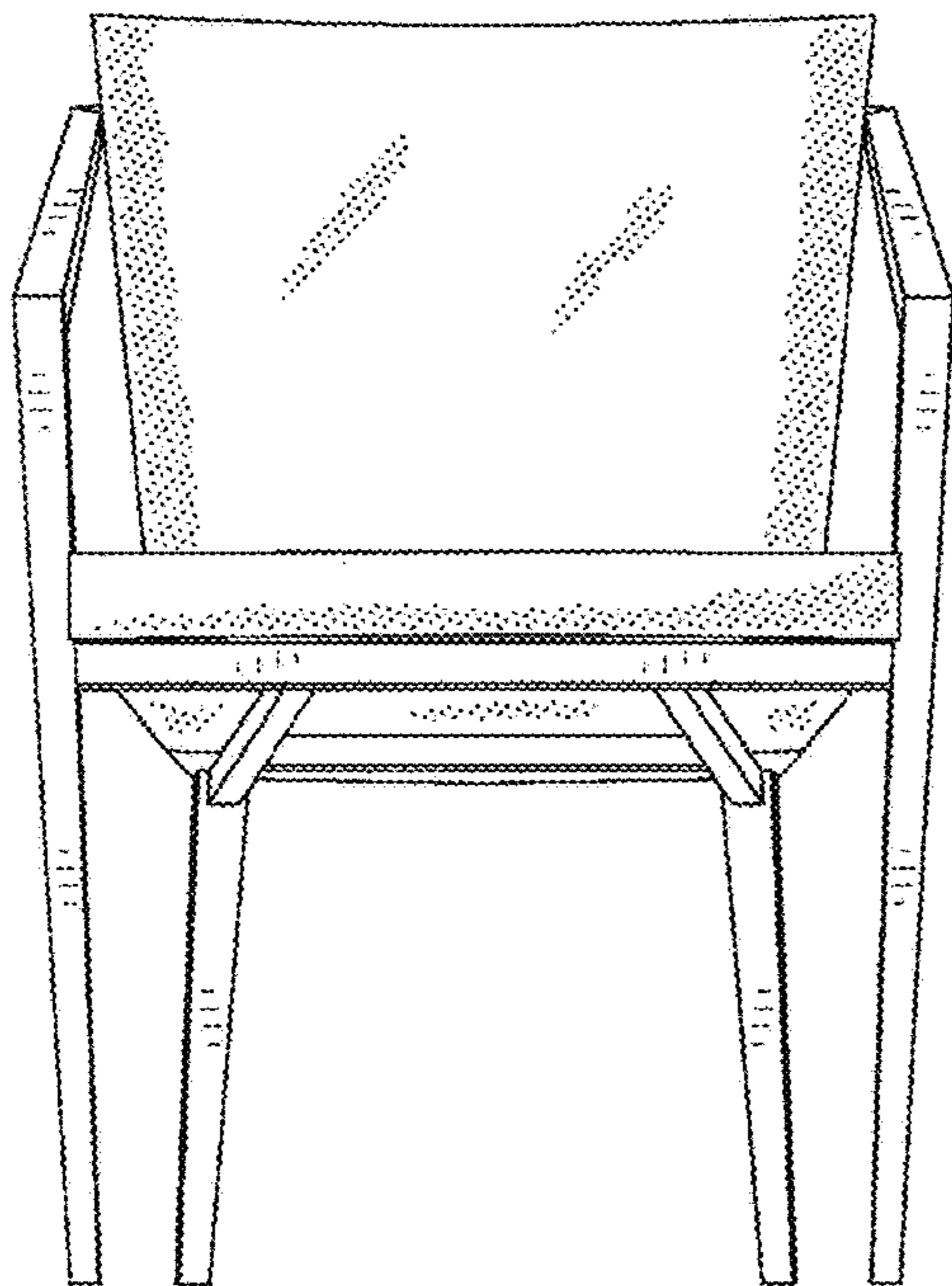


FIG. 17

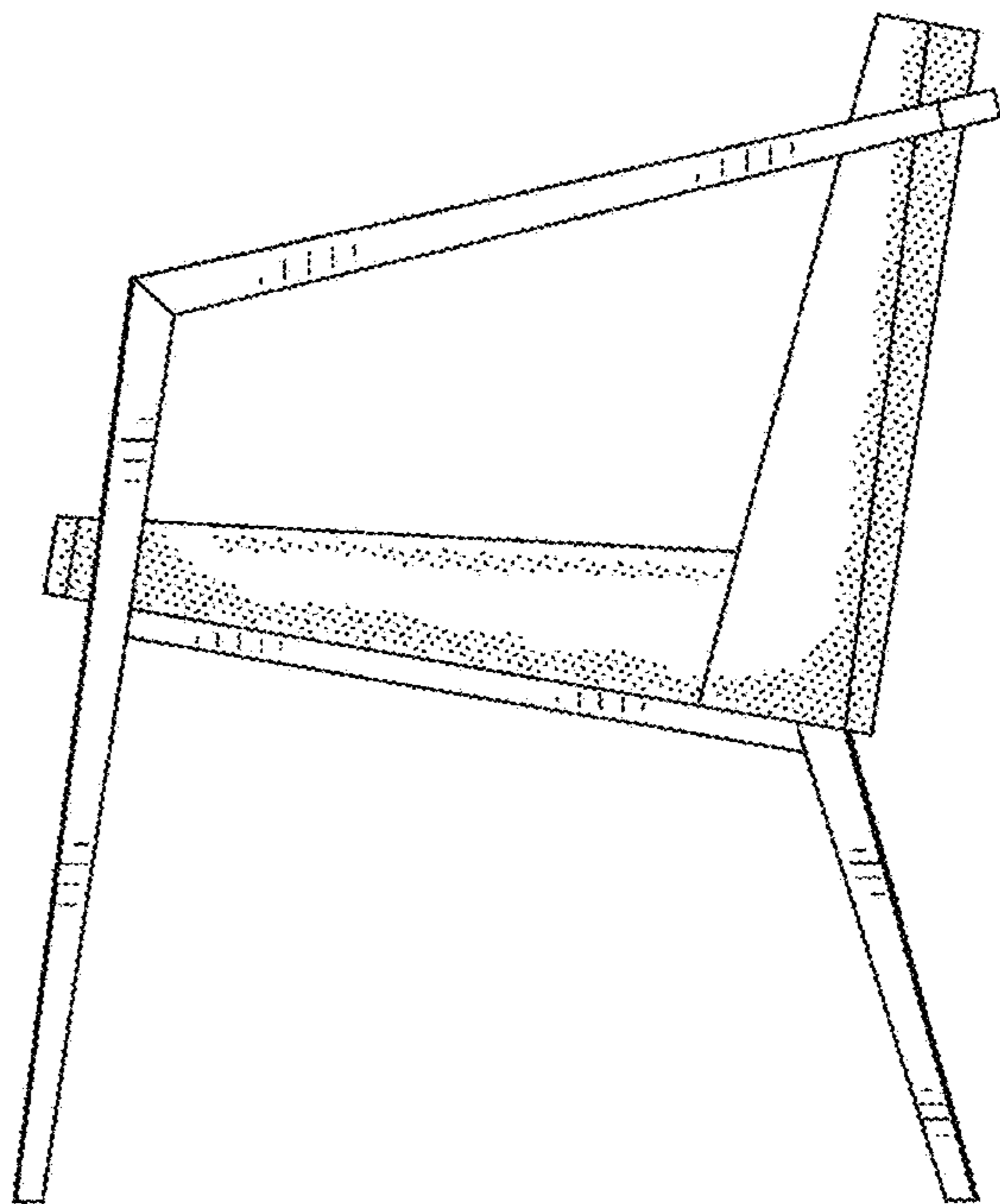


FIG. 18

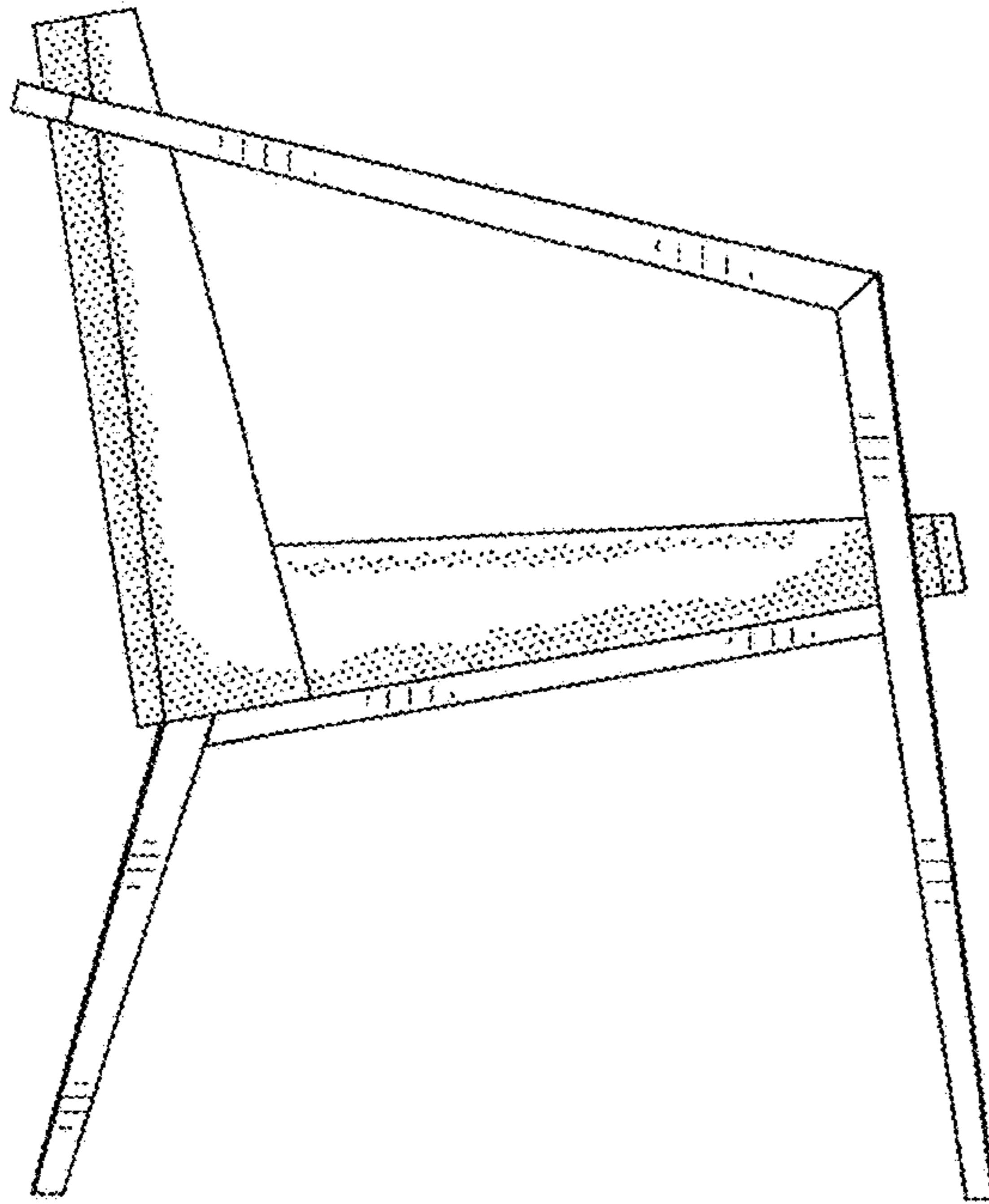


FIG. 19

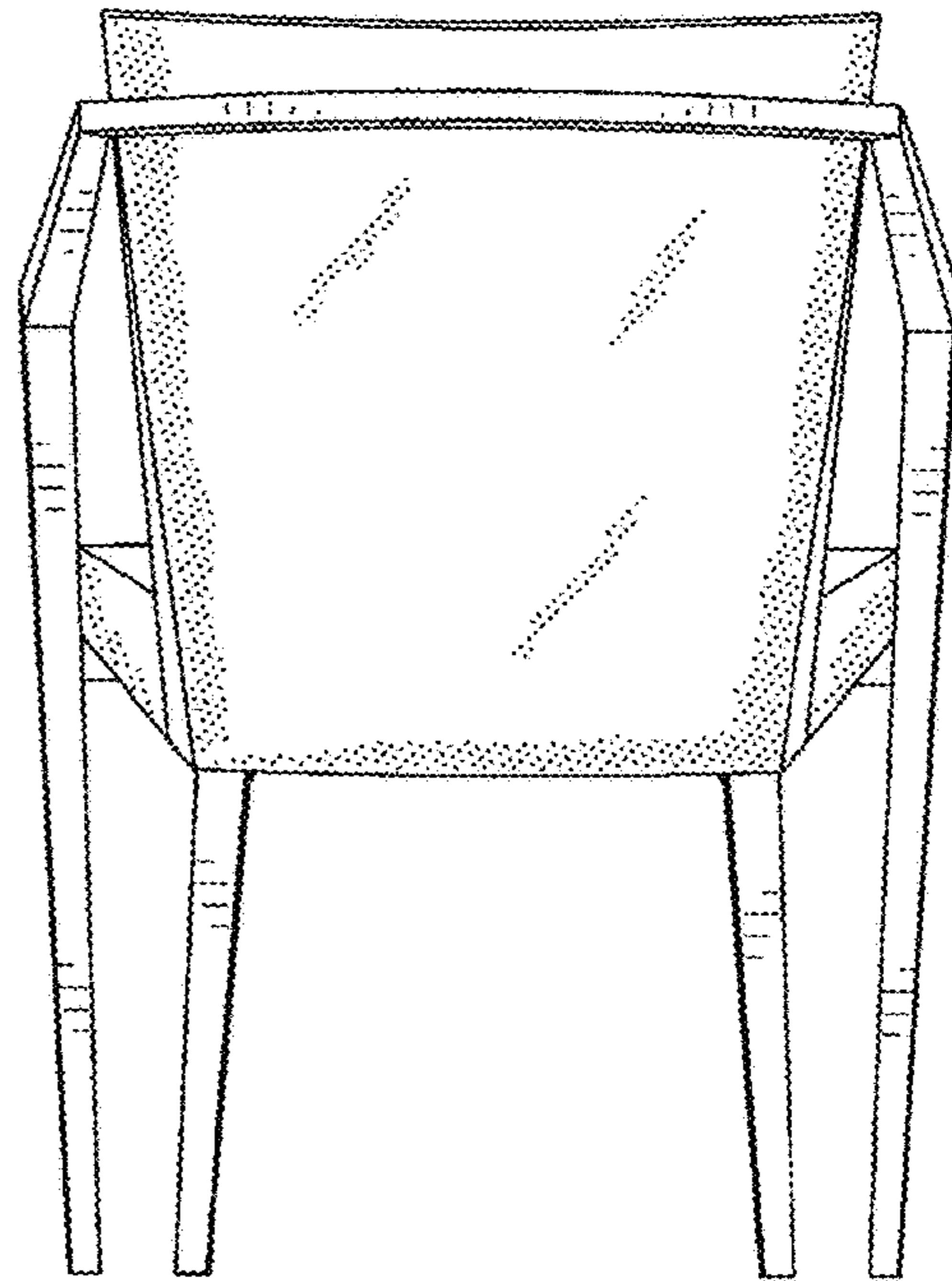


FIG. 20

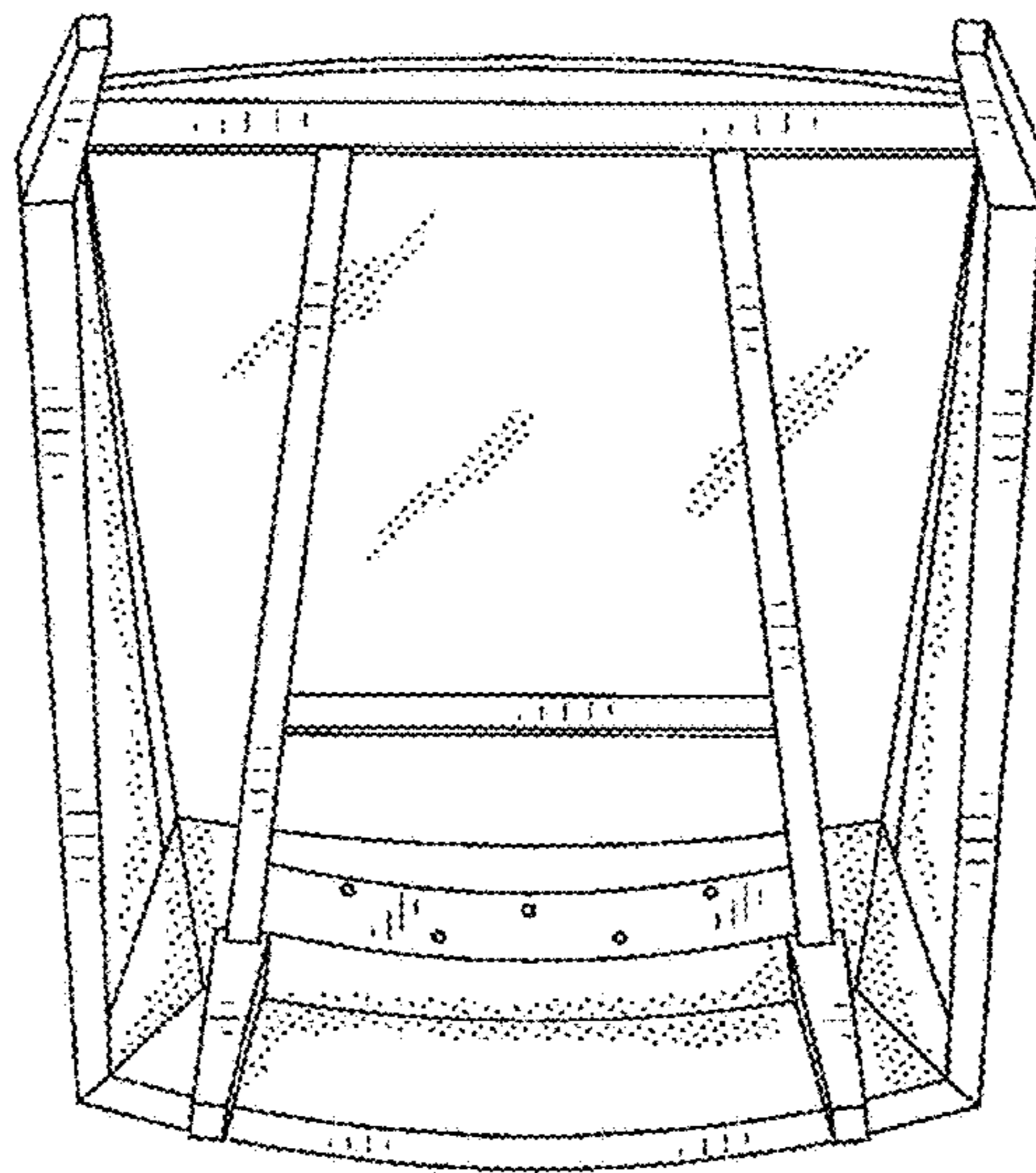


FIG. 21