



US00D843742S

(12) **United States Design Patent** (10) **Patent No.:** **US D843,742 S**
Clark et al. (45) **Date of Patent:** **** Mar. 26, 2019**

(54) **HANGER**

(56) **References Cited**

(71) Applicant: **TARGET BRANDS, INC.**,
Minneapolis, MN (US)
(72) Inventors: **Jeremy A. Clark**, Minneapolis, MN
(US); **Timothy James Martell**,
Brooklyn Park, MN (US); **Richard P.**
Riedel, Blaine, MN (US); **Terrence J.**
Hornsby, Jr., Minneapolis, MN (US)
(73) Assignee: **TARGET BRANDS, INC.**,
Minneapolis, MN (US)
(**) Term: **15 Years**
(21) Appl. No.: **29/665,330**
(22) Filed: **Oct. 2, 2018**

U.S. PATENT DOCUMENTS

2,522,013 A	9/1950	Anderson	
D164,710 S	10/1951	Perry	
D190,843 S *	7/1961	Levine	223/96
3,047,196 A *	7/1962	Levine	A47G 25/485 223/96
D195,445 S	6/1963	Warmath	
3,406,883 A *	10/1968	Crane	A47G 25/485 223/96
3,463,369 A	8/1969	Moskowitz	
D243,138 S	1/1977	Coon	
D251,345 S	3/1979	Bigelow et al.	
4,157,782 A	6/1979	Mainetti	
4,295,585 A	10/1981	Garrison	
D264,662 S	6/1982	Bisk et al.	
4,335,838 A	6/1982	Bisk et al.	
4,395,799 A	8/1983	Batts	
D271,649 S	12/1983	Batts et al.	
4,446,996 A	5/1984	Garrison	
D277,534 S	2/1985	Warmath	

(Continued)

Primary Examiner — Lauren R Calve

(74) *Attorney, Agent, or Firm* — JoAnn M. Seaton;
Griffiths & Seaton PLLC

(57) **CLAIM**

The ornamental design for a hanger, as shown and described.

DESCRIPTION

FIG. 1 is a front, top perspective view of a hanger showing our new design;
FIG. 2 is a rear, bottom perspective view thereof;
FIG. 3 is a front view thereof;
FIG. 4 is a rear view thereof;
FIG. 5 is a right side view thereof;
FIG. 6 is a left side view thereof;
FIG. 7 is a top view thereof; and,
FIG. 8 is a bottom view thereof.
The features shown in broken lines are portions of the hanger forming no part of the claimed design.

1 Claim, 6 Drawing Sheets

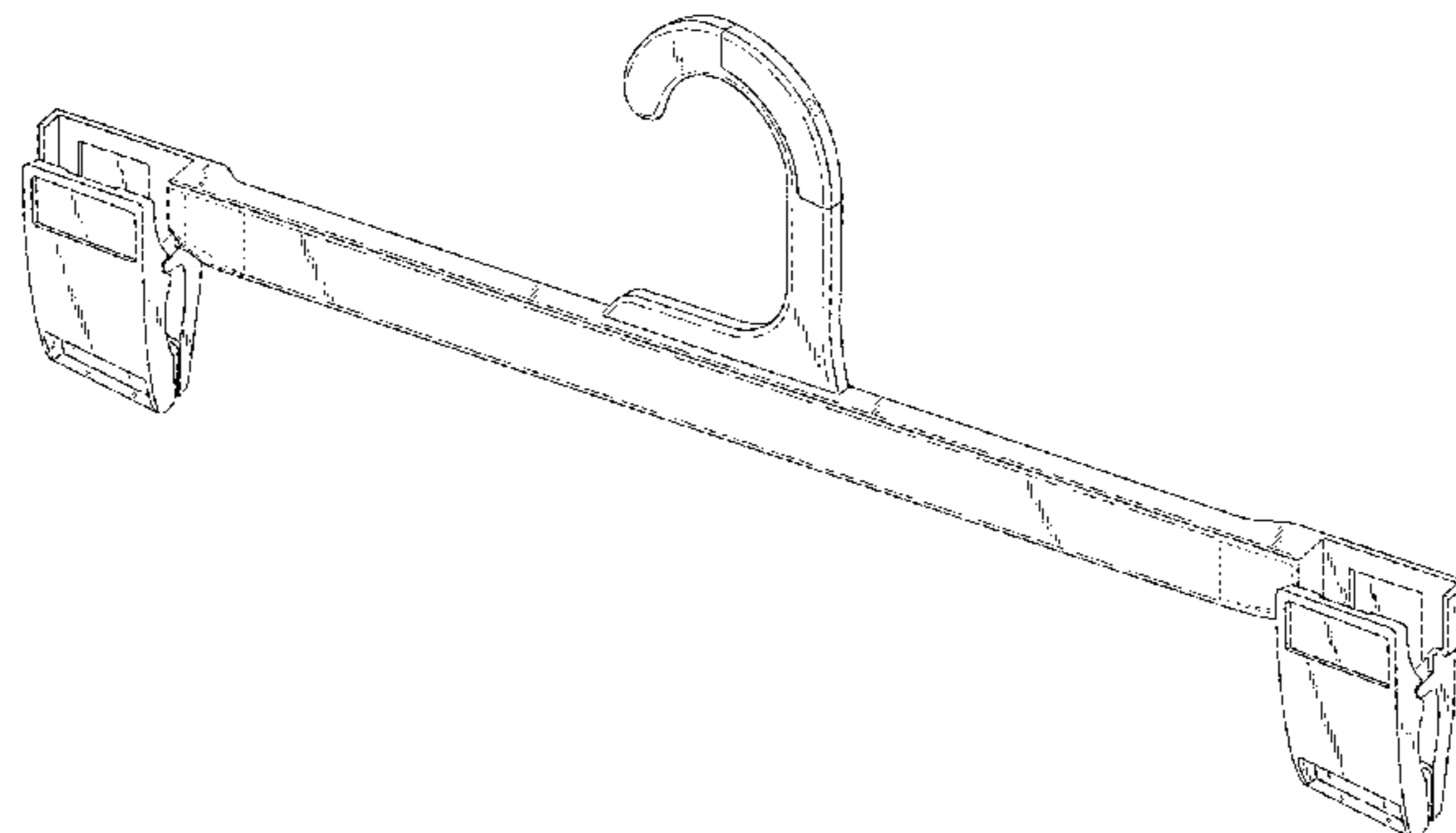
Related U.S. Application Data

(62) Division of application No. 29/644,685, filed on Apr. 19, 2018, now Pat. No. Des. 831,986, which is a division of application No. 29/603,833, filed on May 12, 2017, now Pat. No. Des. 815,845.

(51) **LOC (11) Cl.** **06-08**

(52) **U.S. Cl.**
USPC **D6/326**

(58) **Field of Classification Search**
USPC D6/315-328; D8/395
CPC A47G 25/26; A47G 25/28; A47G 25/30;
A47G 25/32; A47G 25/34; A47G 25/36;
A47G 25/38; A47G 25/442; A47G
25/625; A47G 25/743; A47G 25/1407;
A47G 25/1457; A47G 2025/1492; A47F
7/18; A47F 7/19; A47F 7/22
See application file for complete search history.



(56)

References Cited

U.S. PATENT DOCUMENTS

4,658,996 A	4/1987	Warmath	6,896,163 B2	5/2005	Louw
4,660,750 A	4/1987	Blanchard	D506,320 S	6/2005	Gouldson
D296,729 S	7/1988	Blanchard	6,923,650 B2	8/2005	Gouldson et al.
D298,703 S	11/1988	Arnold	D511,049 S	11/2005	Gouldson
D301,661 S	6/1989	Wilson	D518,838 S	4/2006	Singleton
D301,808 S	6/1989	Marshall	D518,839 S	4/2006	Singleton
D301,942 S	7/1989	Talbot-Titley	D519,139 S	4/2006	Singleton
D301,943 S	7/1989	Wilson	7,089,599 B2	8/2006	Gouldson et al.
D303,590 S	9/1989	Pelosi	7,104,428 B2	9/2006	Gouldson
4,878,276 A	11/1989	Morrish et al.	7,121,439 B2	10/2006	Gouldson et al.
D310,624 S	9/1990	Gradecki et al.	D531,823 S	11/2006	Mainetti
4,967,500 A	11/1990	Bredeweg	D548,982 S	8/2007	Chernicoff et al.
4,984,721 A	1/1991	Eiley et al.	D555,916 S	11/2007	Mangano
D315,992 S	4/1991	Tremblay et al.	7,290,687 B2	11/2007	Wu
5,052,085 A	10/1991	Gau	7,337,932 B2	3/2008	Gouldson
5,072,866 A	12/1991	Kolton et al.	D569,631 S	5/2008	Hansen
5,082,153 A	1/1992	Duester et al.	D569,633 S	5/2008	Hansen
D323,588 S	2/1992	Pelosi	7,387,223 B2	6/2008	Misumi
D324,313 S	3/1992	Kolton et al.	D575,533 S	8/2008	Barker
D327,580 S	7/1992	Fildan	D578,781 S	10/2008	Hansen
D328,194 S	7/1992	Garrison	7,455,203 B2	11/2008	Gouldson et al.
5,350,092 A *	9/1994	Hollis A47G 25/485 223/85	D586,568 S	2/2009	Jones
D351,519 S	10/1994	De Marco	D586,571 S	2/2009	Jones
D352,834 S	11/1994	Norman	7,537,142 B2	5/2009	Yau et al.
5,398,854 A	3/1995	Blanchard	7,556,180 B1	7/2009	Hansen et al.
5,400,932 A	3/1995	Hollis	D601,356 S	10/2009	Jones
5,934,525 A	8/1999	Blanchard	D602,698 S	10/2009	Jones
D414,044 S	9/1999	Choi et al.	D605,416 S	12/2009	Warren et al.
D414,946 S	10/1999	Gouldson	D606,324 S	12/2009	Jones
D415,357 S	10/1999	Blanchard	7,665,640 B2	2/2010	Misumi
D417,557 S	12/1999	Blanchard	D612,619 S	3/2010	Gouldson
6,019,261 A	2/2000	Morgan et al.	D612,620 S	3/2010	Gouldson
6,029,868 A	2/2000	Willinger et al.	D613,078 S	4/2010	Gouldson
D423,235 S	4/2000	Bond et al.	D616,652 S	6/2010	Warren
6,050,461 A	4/2000	Batts et al.	D622,972 S	9/2010	Jones
6,050,462 A	4/2000	Petrou et al.	D628,398 S	12/2010	Fort et al.
D424,817 S	5/2000	Morgan et al.	D628,819 S	12/2010	Mazzotta
D429,898 S	8/2000	Morgan et al.	8,061,569 B2	11/2011	Sugita et al.
D433,822 S	11/2000	Sullivan	D655,924 S	3/2012	Gouldson
D435,173 S	12/2000	Morgan et al.	D670,920 S	11/2012	Jones
D435,973 S	1/2001	Gouldson	D681,352 S	5/2013	Jones
D436,743 S	1/2001	Batts et al.	D684,383 S	6/2013	Chan
D439,419 S	3/2001	Zuckerman	D711,658 S	8/2014	Pelton et al.
D440,409 S	4/2001	Blanchard	D716,061 S	10/2014	Berg
D440,777 S	4/2001	Giustini	D727,633 S	4/2015	Atkinson
6,241,133 B1	6/2001	Morgan et al.	9,127,786 B1	9/2015	Arratia
D449,743 S	10/2001	Morgan	D759,983 S	6/2016	Shallcross
6,306,329 B1 *	10/2001	Willinger A47G 25/483 223/91	D770,189 S	11/2016	Choy
D450,463 S	11/2001	Wong et al.	D804,199 S	12/2017	Jones
D453,423 S	2/2002	Goldman et al.	D815,845 S *	4/2018	Clark D6/315
D454,257 S	3/2002	Hunt	D831,986 S *	10/2018	Clark D6/315
D463,918 S	10/2002	Goldman et al.	D831,987 S *	10/2018	Clark D6/326
D464,814 S	10/2002	De Winter et al.	2003/0126725 A1 *	7/2003	Housley A47G 25/485 24/510
D466,311 S	12/2002	Hawkins	2003/0155387 A1 *	8/2003	Gouldson A47G 25/1442 223/93
D466,704 S	12/2002	Hawkins	2004/0065702 A1 *	4/2004	Yang A47G 25/485 223/96
D466,705 S	12/2002	Hawkins	2004/0099700 A1	5/2004	Misumi
D472,062 S	3/2003	Yegavian et al.	2005/0184109 A1 *	8/2005	Goldman A47G 25/485 223/95
D472,394 S	4/2003	Hawkins	2006/0163294 A1 *	7/2006	Sutton A47G 25/485 223/85
6,754,939 B2	6/2004	Belden, Jr. et al.	2006/0186148 A1 *	8/2006	Wu A47G 25/485 223/85
D499,257 S	12/2004	Schultz et al.	2007/0075104 A1	4/2007	Yau
D502,328 S	3/2005	Gouldson	2007/0151998 A1	7/2007	Wong
D503,545 S	4/2005	Gosselin et al.			
D504,024 S	4/2005	Mainetti			

* cited by examiner

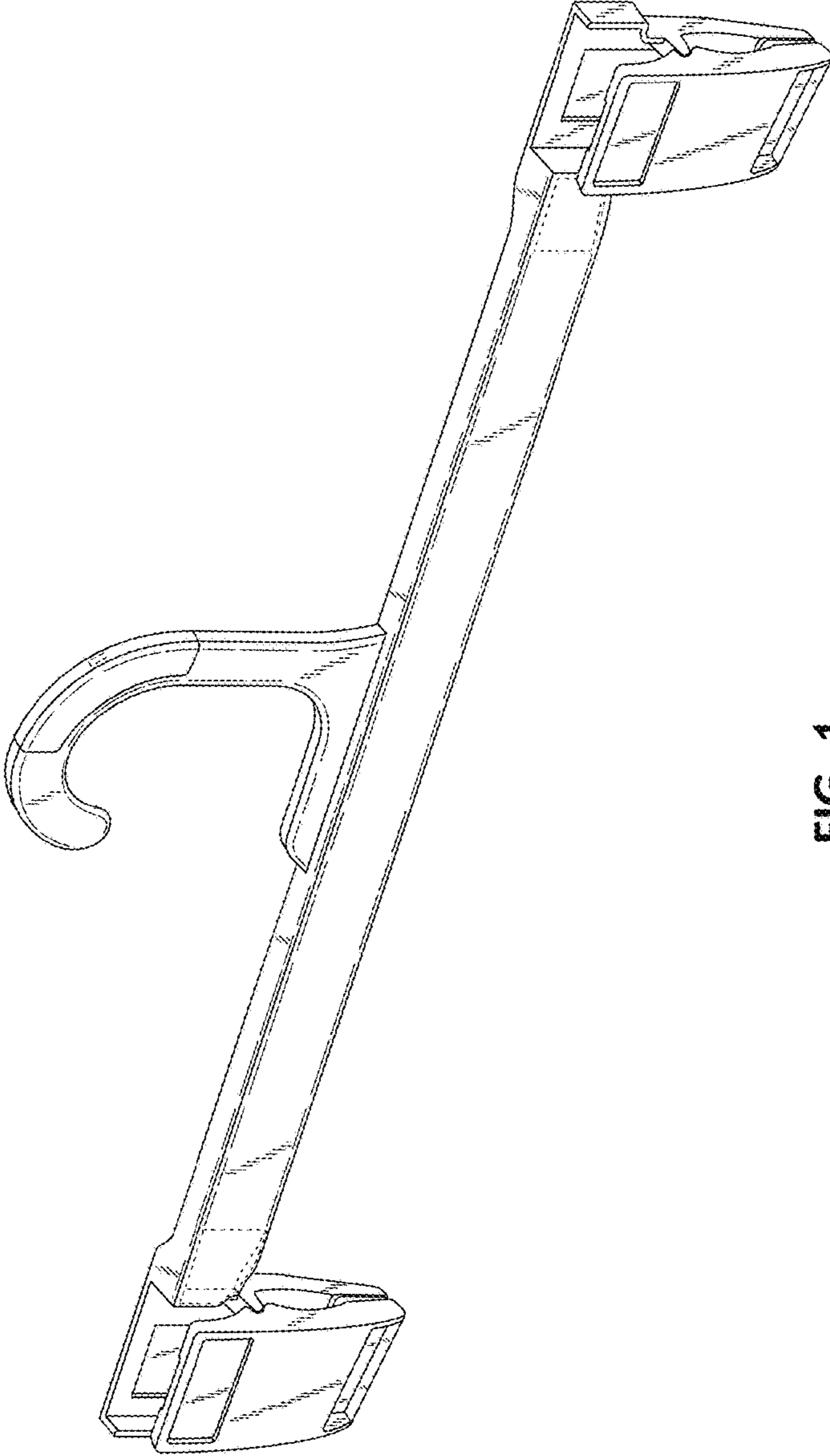


FIG. 1

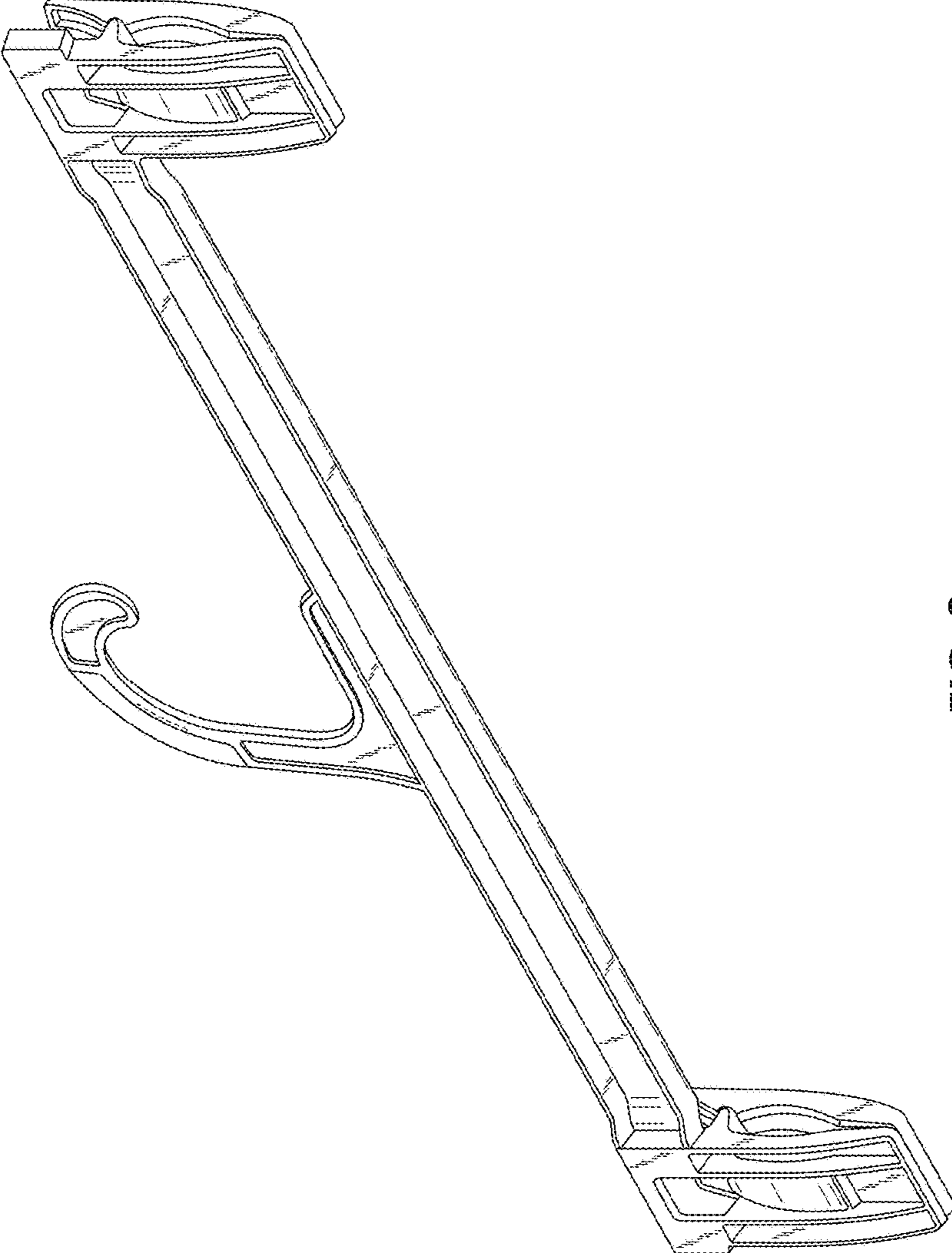


FIG. 2

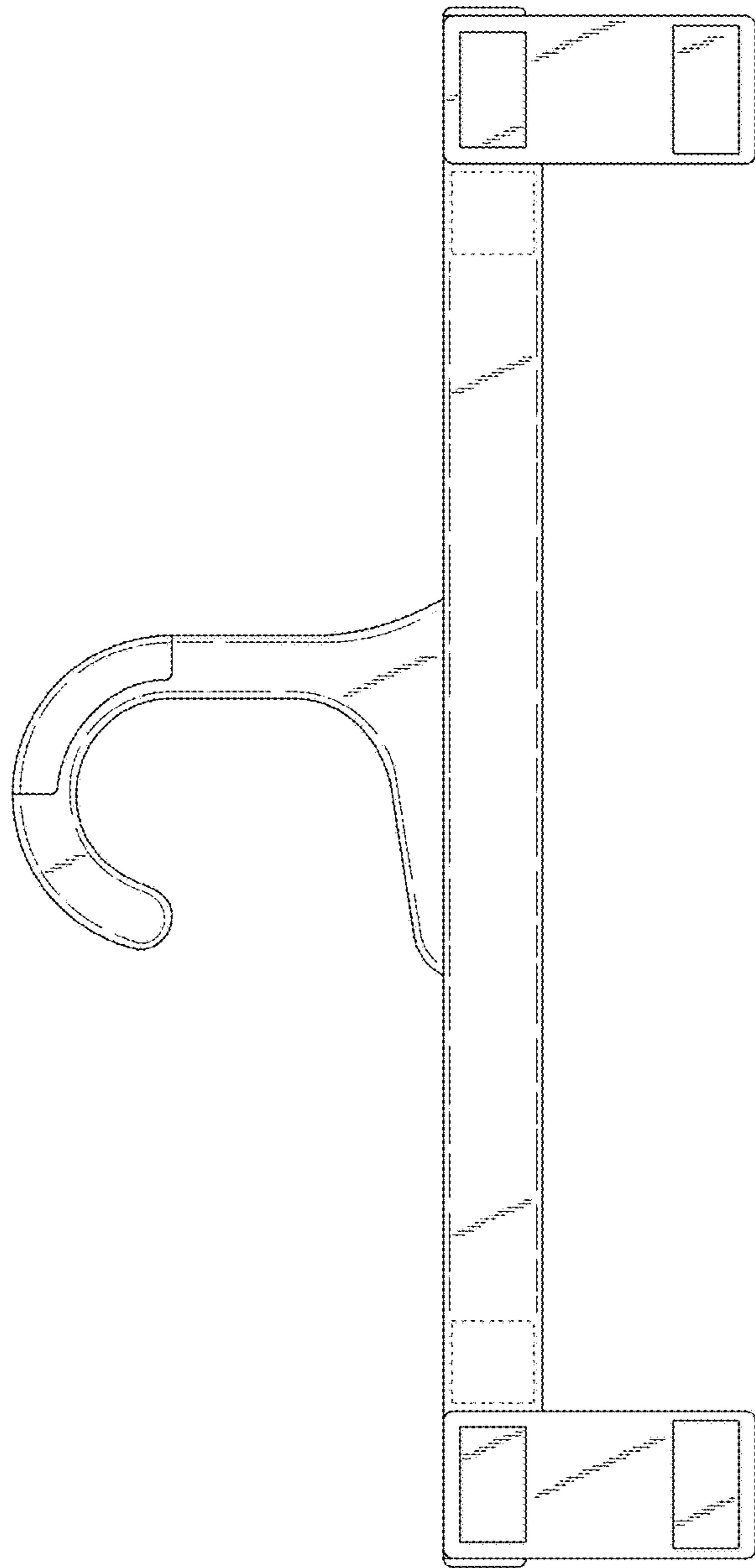


FIG. 3

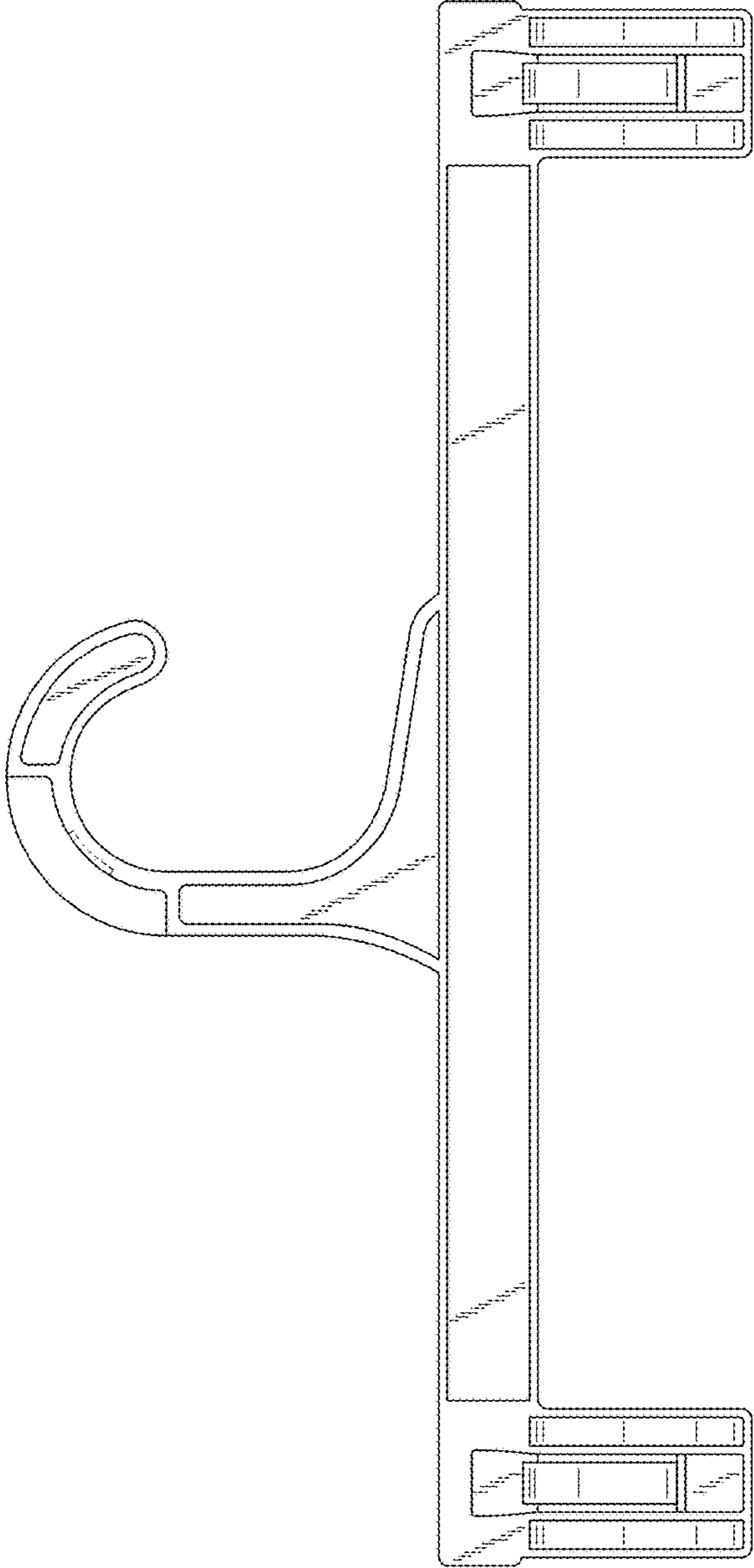


FIG. 4

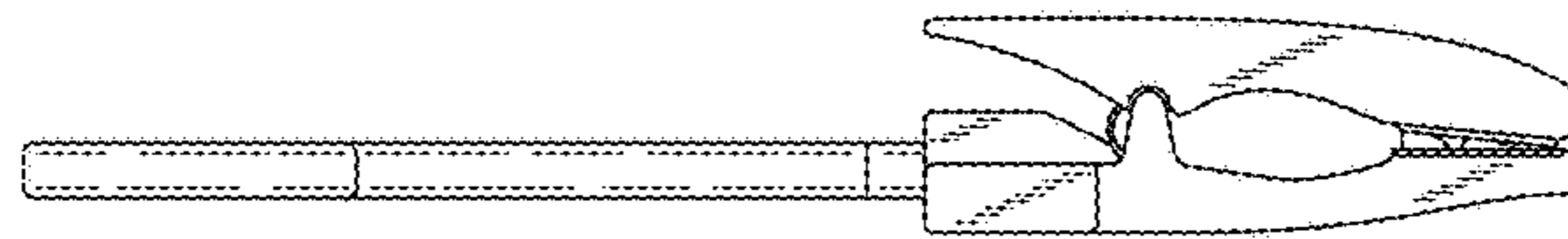


FIG. 5

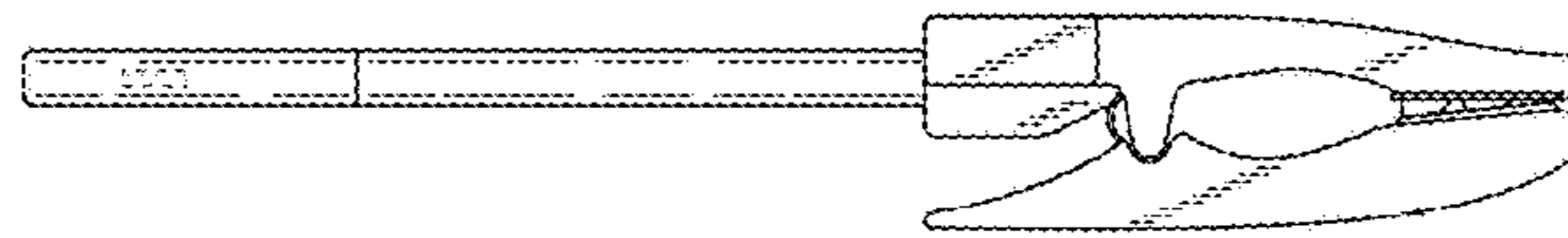


FIG. 6

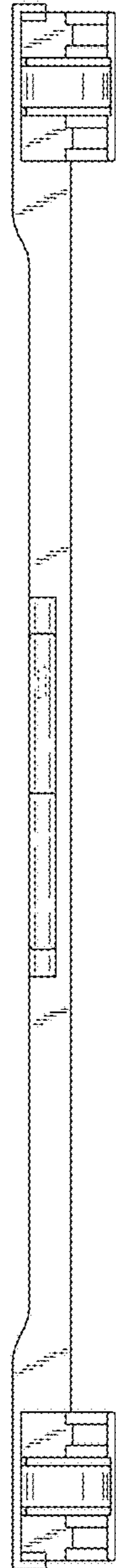


FIG. 7

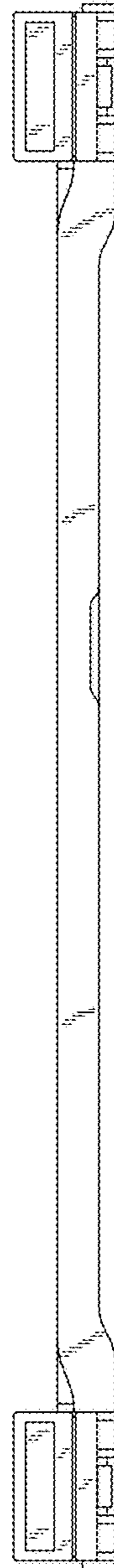


FIG. 8