



US00D843735S

(12) **United States Design Patent**
Jinadu

(10) **Patent No.:** **US D843,735 S**
(45) **Date of Patent:** **** Mar. 26, 2019**

- (54) **MAKEUP BRUSH**
- (71) Applicant: **Eloise Beauty Limited**, London (GB)
- (72) Inventor: **Risikat Jinadu**, London (GB)
- (73) Assignee: **Eloise Beauty Limited**, London (GB)
- (**) Term: **15 Years**
- (21) Appl. No.: **29/612,188**
- (22) Filed: **Jul. 28, 2017**

(30) **Foreign Application Priority Data**

Feb. 10, 2017 (GB) 6007013

(51) **LOC (11) Cl.** **04-02**

(52) **U.S. Cl.**
USPC **D4/138**

(58) **Field of Classification Search**
USPC D4/114, 115, 116, 117, 118, 119, 120,
D4/121, 122, 123, 124, 125, 126, 127,
D4/128, 129, 130, 131, 132, 133, 134,
D4/135, 136, 137, 138, 199; D28/7, 20,
D28/25, 28, 30; D19/916; D8/307, 310,
D8/311

CPC A46B 9/02; A46B 9/021; A46B 2200/1046
See application file for complete search history.

(56) **References Cited**

U.S. PATENT DOCUMENTS

- D8,491 S * 7/1875 Young D8/310
- D21,139 S * 10/1891 Hess et al. D8/312
- D47,068 S * 3/1915 Burns D8/307
- D64,276 S * 3/1924 Williams D4/127
- D96,694 S * 8/1935 Porter D4/135
- D96,695 S * 8/1935 Porter 15/143.1
- D116,935 S * 10/1939 Jung D8/DIG. 2
- D138,896 S * 9/1944 Edmonds 15/143.1
- D211,778 S * 7/1968 Stone D8/305
- D258,524 S * 3/1981 Thevenot D23/250
- D269,696 S * 7/1983 Niemann D23/250

- D286,502 S * 11/1986 Adams D8/107
- D290,641 S * 6/1987 Joerger D23/254
- D344,786 S * 3/1994 Short D23/252

(Continued)

FOREIGN PATENT DOCUMENTS

- GB 6000524 * 9/2016
- GB 6000525 * 9/2016
- GB 6000527 * 9/2016

OTHER PUBLICATIONS

Rose Gold Tear drop Brush—Eloisebeauty [on-line]. Available at least as early as Feb. 27, 2017; retrieved from the Internet Jun. 14, 2018. URL: <<https://web.archive.org/web/20170227012933/https://www.eloisebeauty.com/products/rose-gold-tear-drop-dome-brush>>. (7 pages) (Year: 2017).*

Primary Examiner — Karen E Eldridge Powers

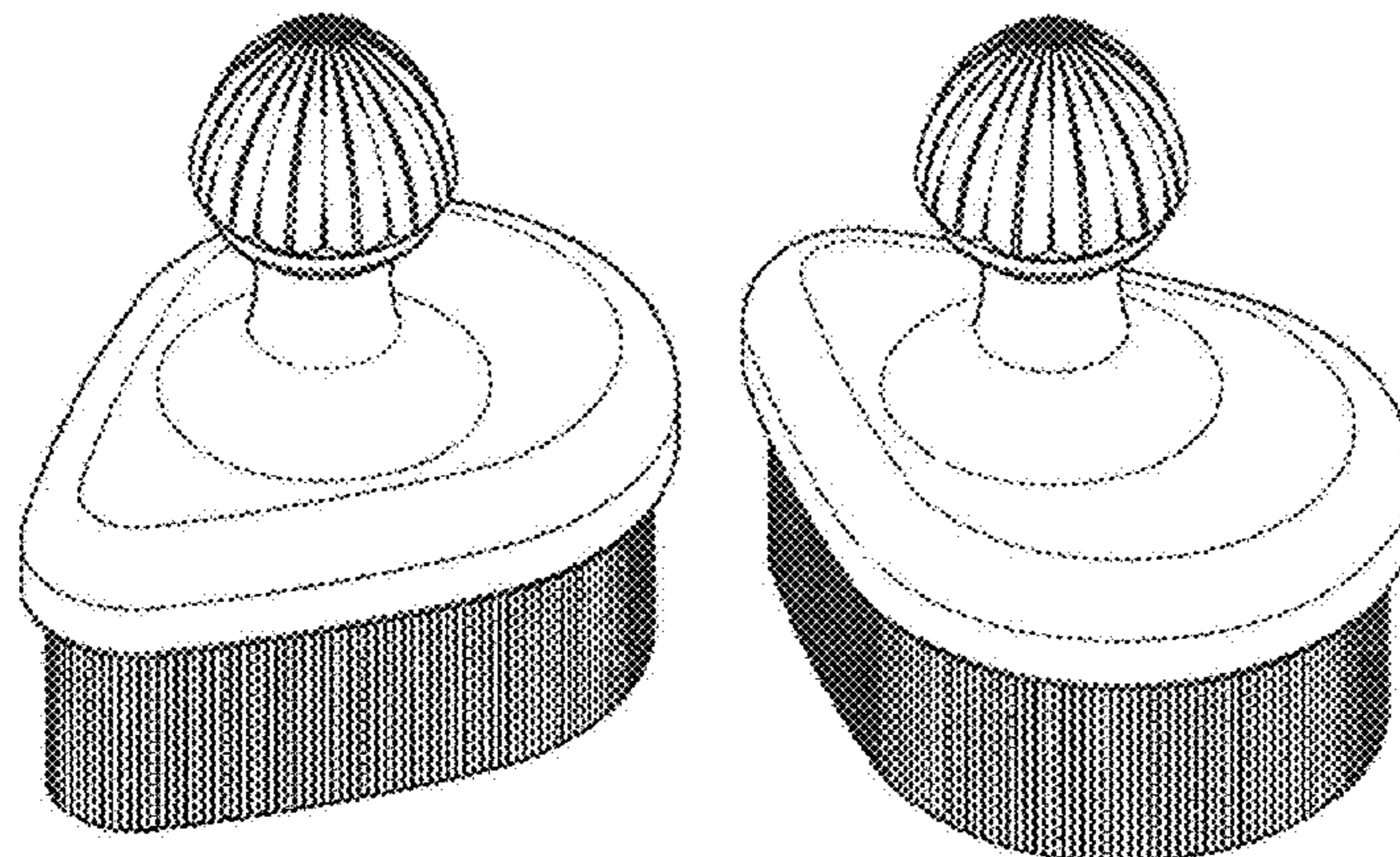
(57) **CLAIM**

The ornamental design for a makeup brush, as shown and described.

DESCRIPTION

FIG. 1 is a front elevational view of a makeup brush showing my new design;
FIG. 2 is a rear elevational view of the makeup brush shown in FIG. 1;
FIG. 3 is a perspective view of the front and bottom of the makeup brush shown in FIG. 1;
FIG. 4 is a perspective view of the rear and bottom of the makeup brush shown in FIG. 1;
FIG. 5 is a perspective view of the front and top of the makeup brush shown in FIG. 1; and,
FIG. 6 is a perspective view of the rear and top of the makeup brush shown in FIG. 1.
The broken line shown in FIGS. 3 and 4 defines the bounds of the designed design and forms no part thereof.

1 Claim, 3 Drawing Sheets



(56)

References Cited

U.S. PATENT DOCUMENTS

D361,492	S	*	8/1995	Chieda	D8/310
D415,257	S	*	10/1999	Abel	D23/250
D416,687	S	*	11/1999	Cheng	D4/125
D444,220	S	*	6/2001	Basaganas	D23/366
D446,998	S	*	8/2001	Cappadona	D7/393
D521,738	S	*	5/2006	Huller	D4/124
D543,088	S	*	5/2007	Ricereto	D8/310
D558,557	S	*	1/2008	Jou	D8/310
D563,195	S	*	3/2008	Ricereto	D8/310
D565,385	S	*	4/2008	Jou	D8/307
D574,212	S	*	8/2008	Jou	D8/305
D577,982	S	*	10/2008	Thompson	D8/301
D579,303	S	*	10/2008	Schneider	D8/307
D579,749	S	*	11/2008	Jou	D8/305
D639,633	S	*	6/2011	Bishop	D8/312
D762,990	S	*	8/2016	Hwang	D4/138
D784,026	S	*	4/2017	Shen	D4/128
D789,601	S	*	6/2017	Nicoline	D28/7
D798,603	S	*	10/2017	Hwang	D4/127

* cited by examiner

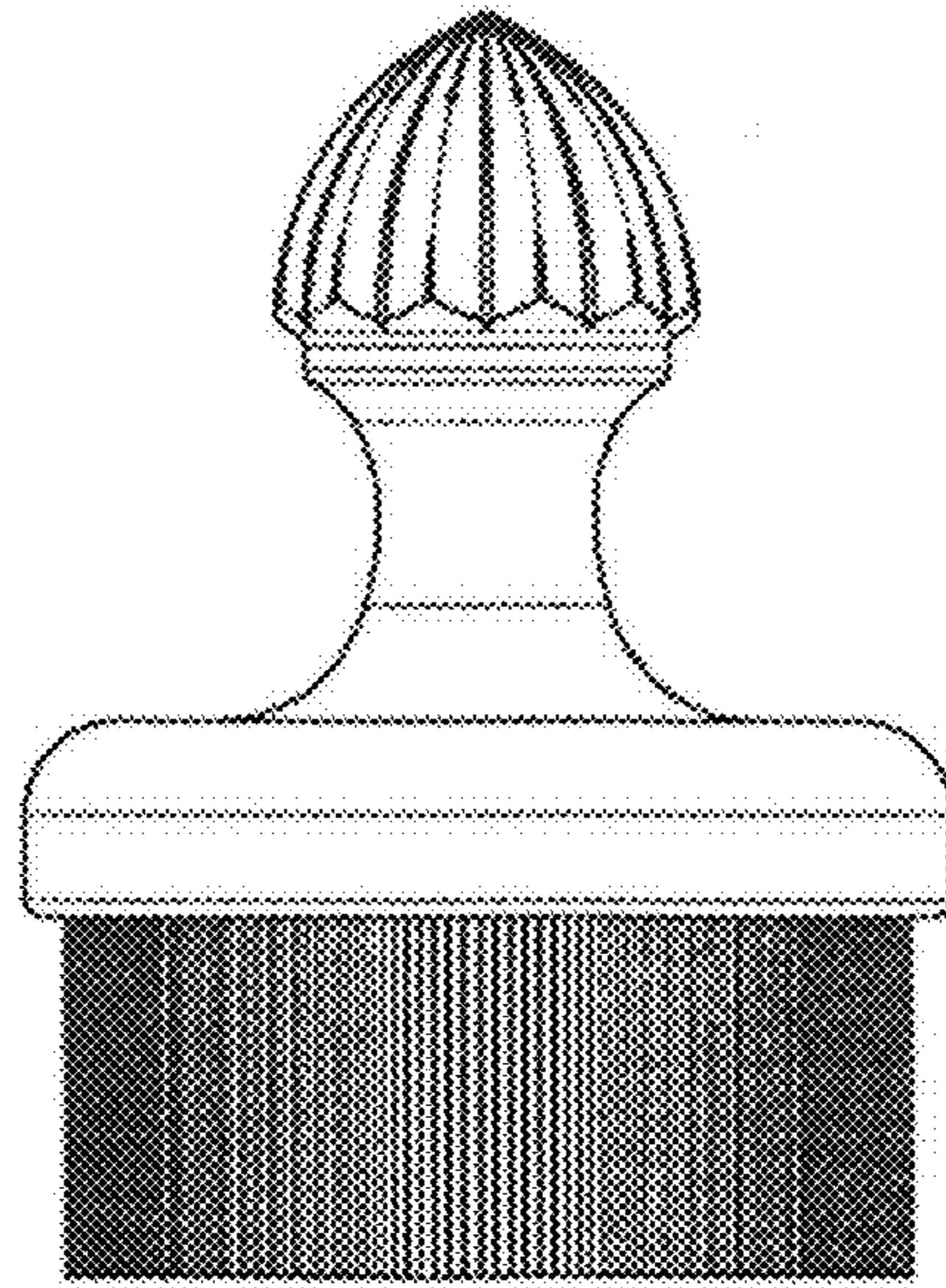


Figure 1

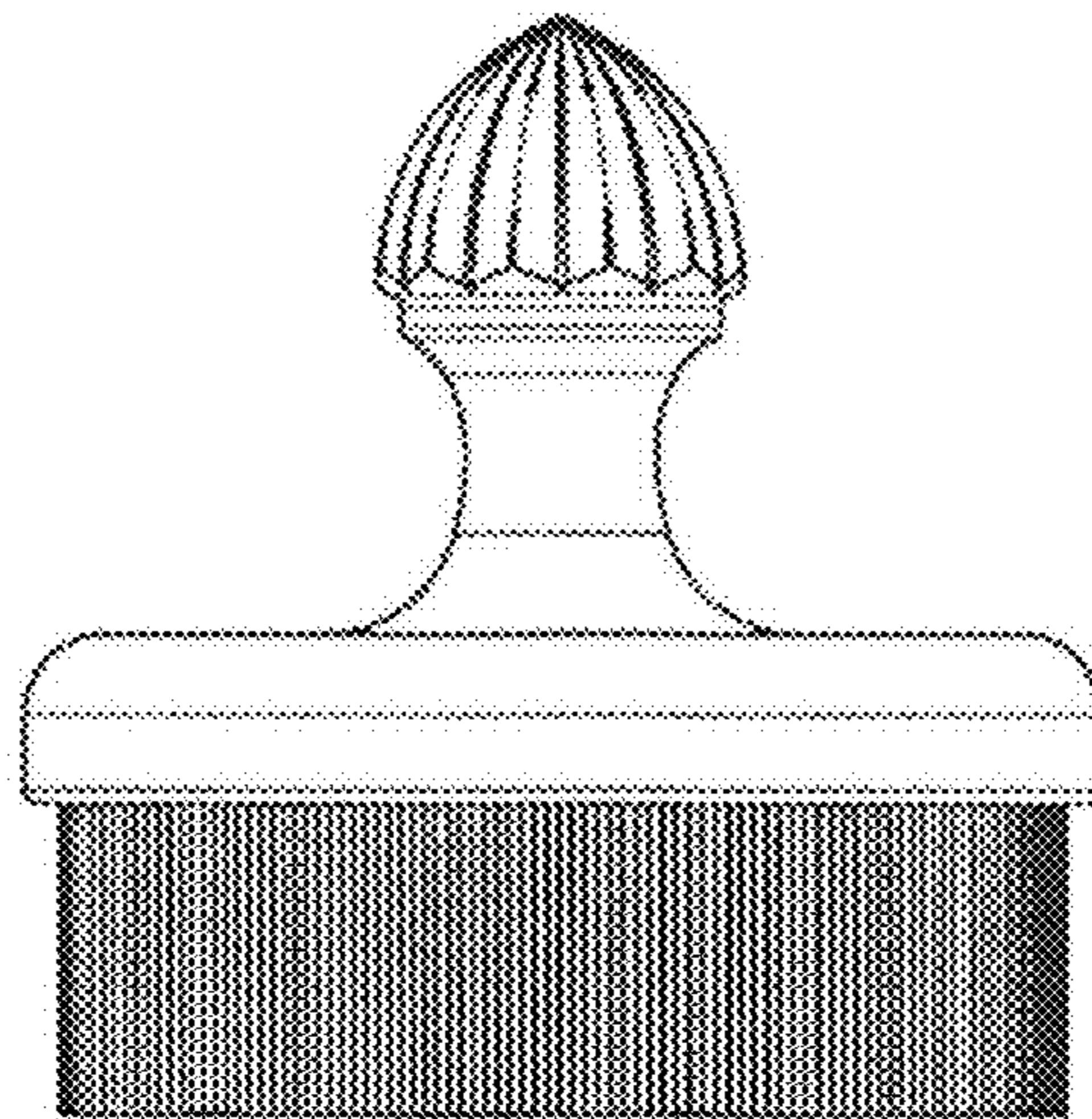


Figure 2

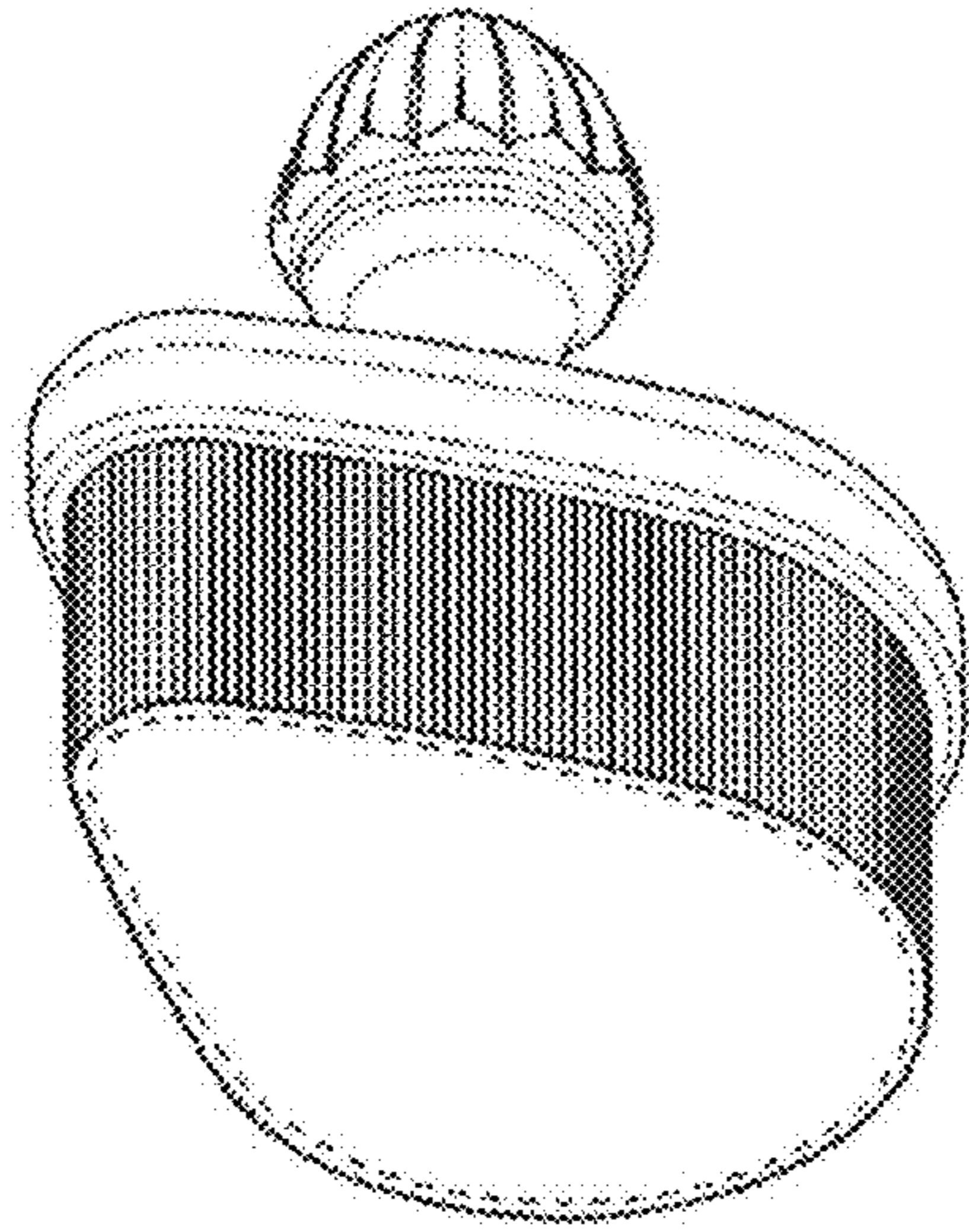


Figure 3

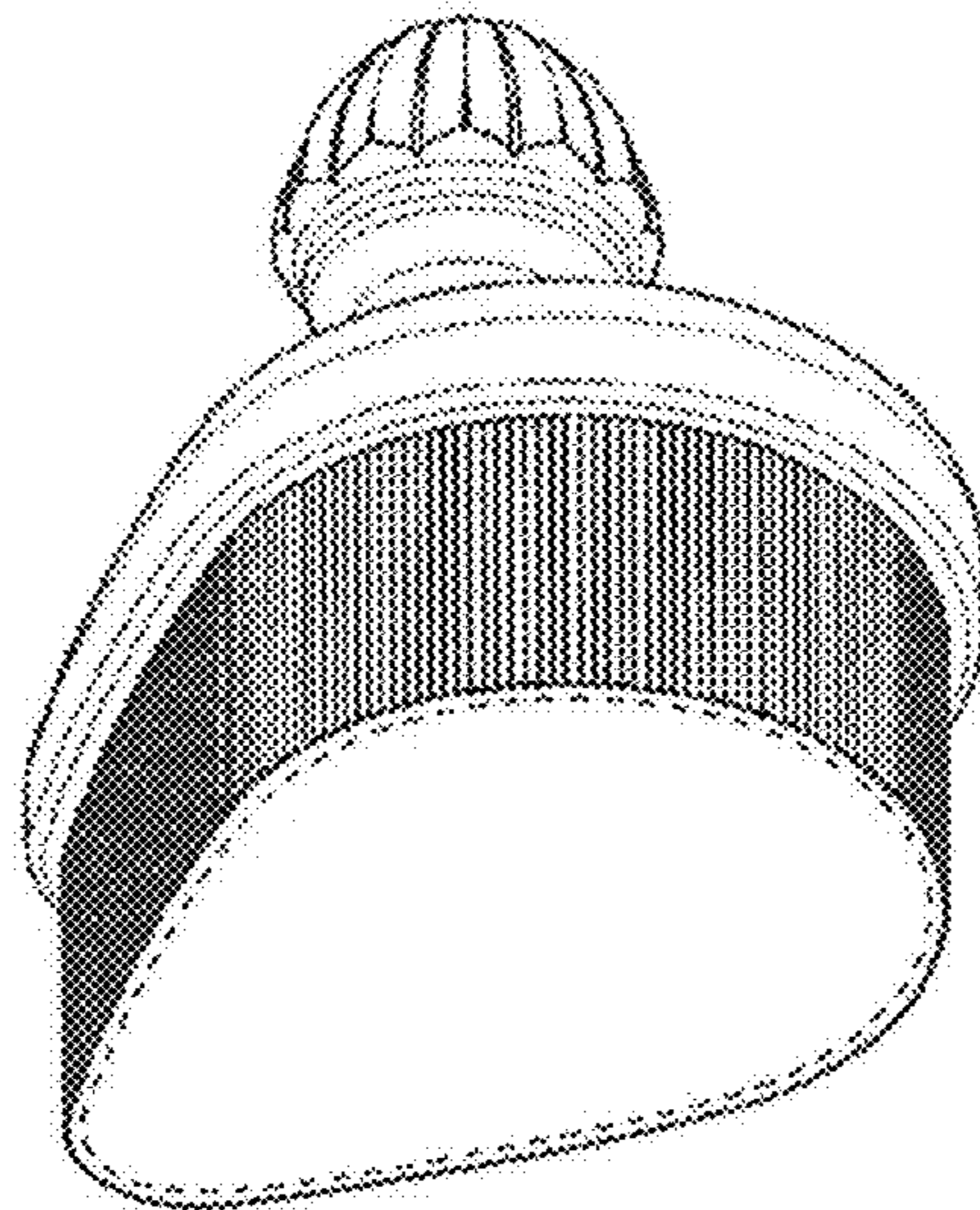


Figure 4

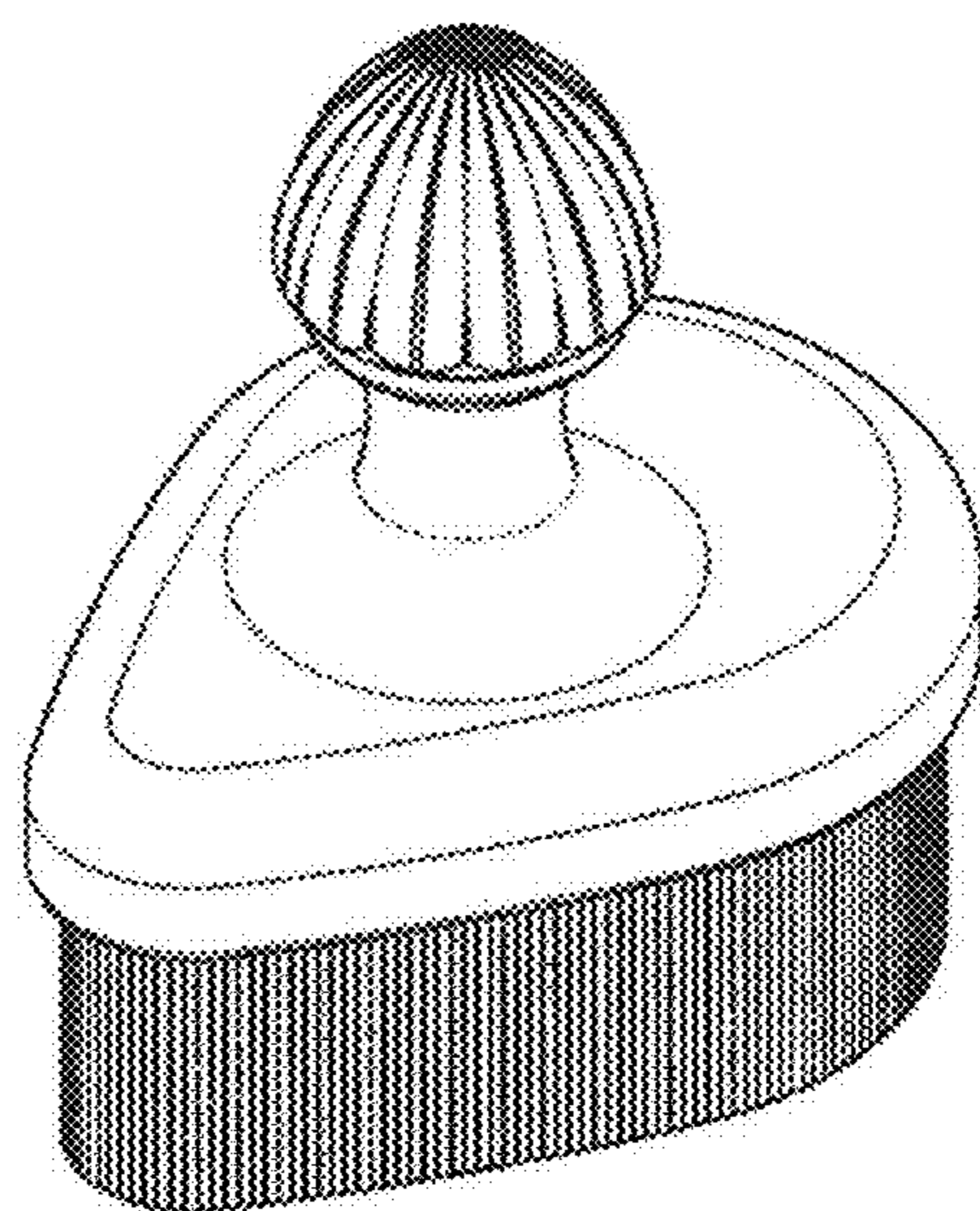


Figure 5

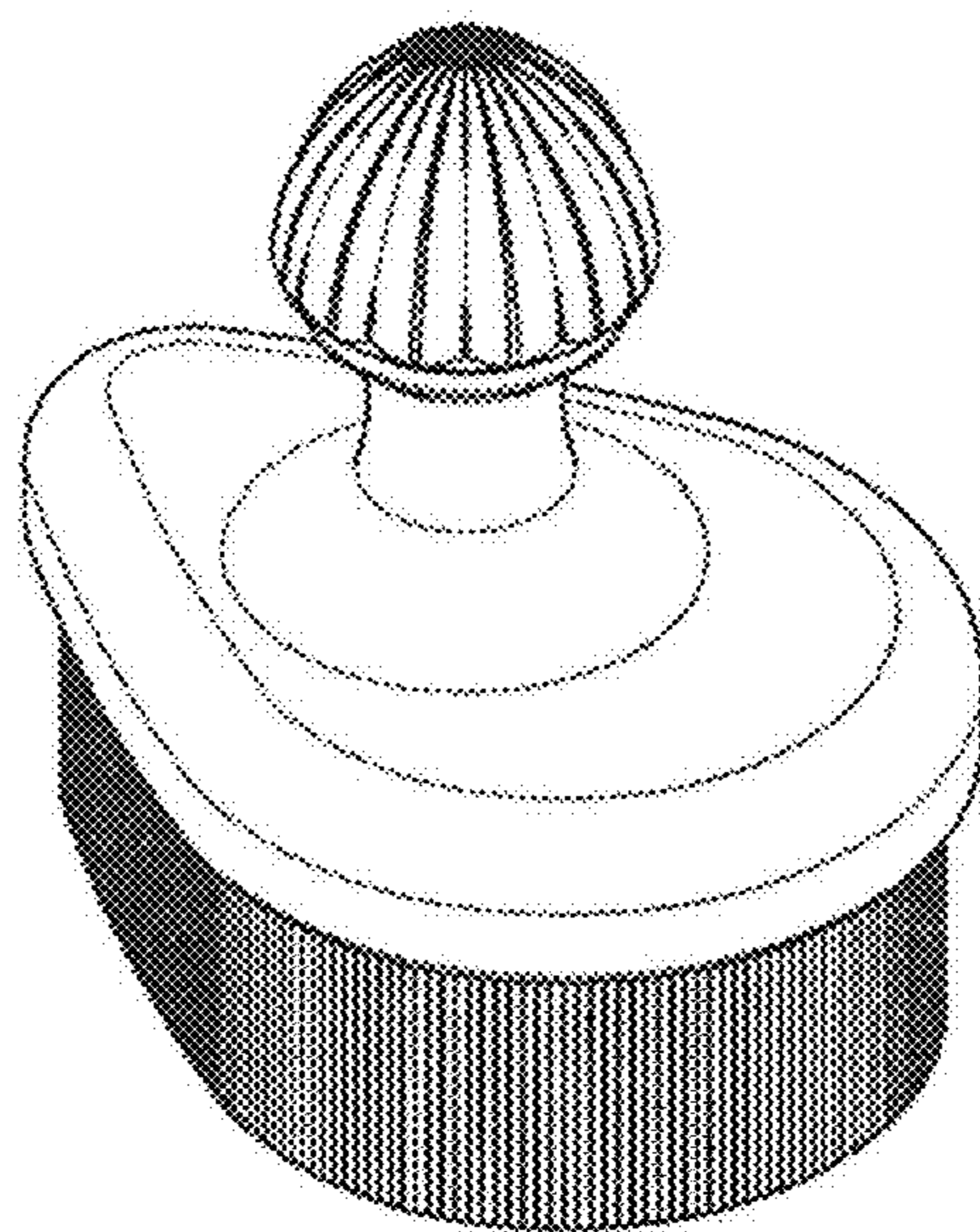


Figure 6