



US00D843734S

(12) **United States Design Patent**  
**Dale**

(10) **Patent No.:** **US D843,734 S**  
(45) **Date of Patent:** **\*\* Mar. 26, 2019**

- (54) **HANDLE FOR INTERCHANGEABLE PAINTING TOOL HEADS**
- (71) Applicant: **James Charles Dale**, Las Vegas, NV (US)
- (72) Inventor: **James Charles Dale**, Las Vegas, NV (US)
- (\*\*) Term: **15 Years**
- (21) Appl. No.: **29/568,297**
- (22) Filed: **Jun. 16, 2016**
- (51) **LOC (11) Cl.** ..... **04-01**
- (52) **U.S. Cl.**  
USPC ..... **D4/138**
- (58) **Field of Classification Search**  
USPC ..... D4/104, 105, 109, 110, 111, 113, 114, D4/115, 116, 117, 118, 119, 120, 121, D4/127, 128, 129, 130, 131, 132, 133, D4/134, 135, 136, 137, 138, 199  
CPC ..... A46B 5/02; A46B 9/02; A46B 5/0095; A46B 7/04; A46B 15/0055; A46B 2200/202; B25G 3/26; B25G 1/00; B25G 1/102; Y10T 16/469  
See application file for complete search history.

- (56) **References Cited**  
U.S. PATENT DOCUMENTS  
1,312,178 A \* 8/1919 Hill ..... A46B 17/02 248/685  
1,468,716 A \* 9/1923 Kersting ..... A46B 9/08 16/108  
D117,933 S \* 12/1939 Manchester et al. .... 15/111  
2,490,159 A \* 12/1949 Ricchiuti ..... A46B 3/12 15/194  
2,526,756 A \* 10/1950 Krebs ..... A46B 7/04 15/145  
2,532,780 A \* 12/1950 Pettengill ..... A46B 3/12 15/143.1  
D167,775 S \* 9/1952 Schmidt ..... 15/143.1

- 3,023,439 A \* 3/1962 Danley ..... A46B 15/00 15/143.1
  - 3,231,919 A \* 2/1966 MacDonald ..... A46B 15/00 15/174
  - 3,263,259 A \* 8/1966 Shulman ..... A46B 15/00 15/193
  - D216,247 S \* 12/1969 McGuire ..... D4/135
  - 3,797,062 A \* 3/1974 LoCicero ..... A46B 3/12 15/244.1
  - 3,994,037 A \* 11/1976 Sims ..... A46B 17/02 15/146
  - 4,062,084 A \* 12/1977 DuBois ..... A46B 9/10 15/169
  - 4,237,579 A \* 12/1980 Salmon ..... A46B 9/10 15/166
  - D273,636 S \* 5/1984 Chu ..... D4/138
- (Continued)

*Primary Examiner* — Karen E Eldridge Powers  
(74) *Attorney, Agent, or Firm* — Dunlap Bennett & Ludwig PLLC; Brendan E. Squire

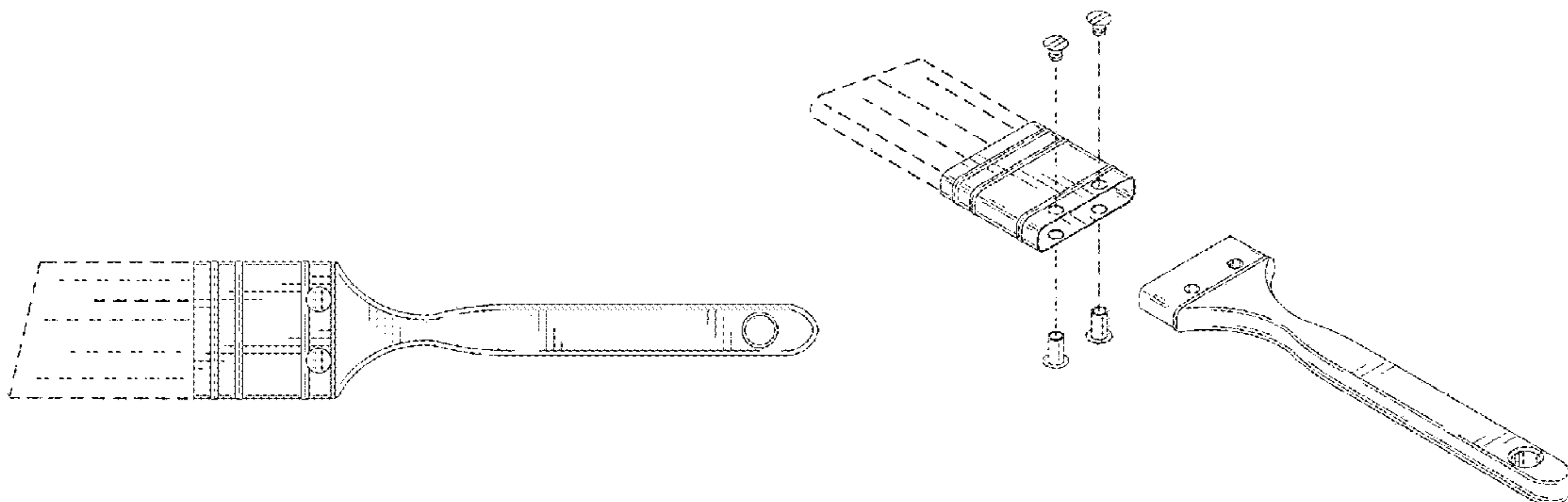
(57) **CLAIM**

The ornamental design for a handle for interchangeable painting tool heads, as shown and described.

**DESCRIPTION**

FIG. 1 is a top front perspective view of a handle for interchangeable painting tool heads showing my new design;  
FIG. 2 is a top plan view thereof;  
FIG. 3 is a bottom plan view thereof;  
FIG. 4 is a front elevation view thereof, with the rear elevation view being a mirror image thereof;  
FIG. 5 is a right elevation view thereof;  
FIG. 6 is a left elevation view thereof; and,  
FIG. 7 is an exploded view thereof.  
The broken lines shown in the drawings illustrate portions of the handle that form no part of the claimed design.

**1 Claim, 2 Drawing Sheets**



(56)

References Cited

U.S. PATENT DOCUMENTS

4,494,268 A \* 1/1985 Chu ..... A46B 7/04  
15/176.1  
D309,218 S \* 7/1990 Rueb ..... D4/119  
D318,762 S \* 8/1991 Rueb ..... D4/132  
D333,217 S \* 2/1993 Gingras ..... D4/132  
5,315,733 A \* 5/1994 Ledingham ..... A46B 9/12  
15/168  
5,406,668 A \* 4/1995 Goodhue ..... A46B 15/00  
15/143.1  
5,419,000 A \* 5/1995 Amato ..... A46B 17/08  
15/111  
D366,150 S \* 1/1996 Suchomel ..... D4/116  
5,615,445 A \* 4/1997 Kelsay ..... B25G 1/10  
15/143.1  
5,689,851 A \* 11/1997 de Sevren Jacquet .....  
A46B 17/00  
15/143.1  
5,749,117 A \* 5/1998 Forsline ..... A46B 3/00  
132/320  
5,857,234 A \* 1/1999 Hernnandez ..... A46B 17/08  
15/111  
D415,899 S \* 11/1999 Barton ..... D4/138  
D423,788 S \* 5/2000 Southwell ..... D4/118  
6,195,830 B1 \* 3/2001 Bruschi ..... B25G 1/10  
15/143.1  
D441,537 S \* 5/2001 Tapley ..... D4/132  
D448,178 S \* 9/2001 Tapley ..... D4/132  
6,371,568 B1 \* 4/2002 Waghorn ..... A46B 3/12  
15/159.1  
D461,960 S \* 8/2002 Bock ..... D4/118  
D466,699 S \* 12/2002 Vaes ..... D4/138  
D474,342 S \* 5/2003 Silvestri ..... D4/118  
D475,535 S \* 6/2003 Vaes ..... D4/132  
D478,730 S \* 8/2003 Goulet ..... D4/138  
6,609,685 B1 \* 8/2003 Lamont ..... A46B 17/02  
220/697  
D485,442 S \* 1/2004 Twigg ..... D4/135  
6,823,553 B1 \* 11/2004 Paredes ..... A46B 15/0055  
15/105

D505,270 S \* 5/2005 Peccolo ..... D4/138  
D538,045 S \* 3/2007 Bock ..... D4/116  
D578,773 S \* 10/2008 Sherman ..... D4/135  
D580,177 S \* 11/2008 Louis-Jeune ..... D4/121  
D584,513 S \* 1/2009 Sherman ..... D4/135  
D584,514 S \* 1/2009 Dale ..... D4/135  
D584,897 S \* 1/2009 Belley ..... D4/135  
D591,515 S \* 5/2009 Belley ..... D4/135  
D601,810 S \* 10/2009 Waksman ..... D4/138  
7,658,352 B2 \* 2/2010 Gronbach ..... A46B 17/02  
248/111  
D679,506 S \* 4/2013 Hile ..... D4/135  
8,595,883 B1 \* 12/2013 Kern ..... A46B 5/0095  
15/143.1  
D707,043 S \* 6/2014 Ash ..... D4/114  
D710,115 S \* 8/2014 Dale ..... D4/135  
8,905,363 B2 \* 12/2014 McCaul ..... A46B 17/02  
15/246  
D721,892 S \* 2/2015 Ash ..... D4/114  
D723,287 S \* 3/2015 Meek ..... D4/118  
D733,437 S \* 7/2015 Sherman ..... D4/135  
9,403,269 B1 \* 8/2016 Typrowicz ..... B25G 3/12  
D773,829 S \* 12/2016 Lambertson, Jr. .... D4/138  
D773,830 S \* 12/2016 Lambertson, Jr. .... D4/138  
D774,311 S \* 12/2016 Vasquez ..... D4/116  
10,051,953 B2 \* 8/2018 Hobbs ..... A46D 3/047  
2002/0004963 A1 \* 1/2002 Woodnorth ..... A46B 3/08  
15/160  
2003/0005533 A1 \* 1/2003 Woodnorth ..... A46B 5/02  
151/143.1  
2008/0256733 A1 \* 10/2008 Brown ..... A46B 3/12  
15/144.3  
2009/0106919 A1 \* 4/2009 Montgomery ..... A46B 5/005  
15/105  
2014/0102925 A1 \* 4/2014 Jacobson ..... B25H 3/00  
206/361  
2014/0259489 A1 \* 9/2014 Dale ..... A46B 9/028  
15/207.2  
2016/0360873 A1 \* 12/2016 Hobbs ..... A46B 3/02  
2017/0203609 A1 \* 7/2017 Haskins ..... B44D 3/123  
2017/0340098 A1 \* 11/2017 Cline ..... A46B 9/025

\* cited by examiner

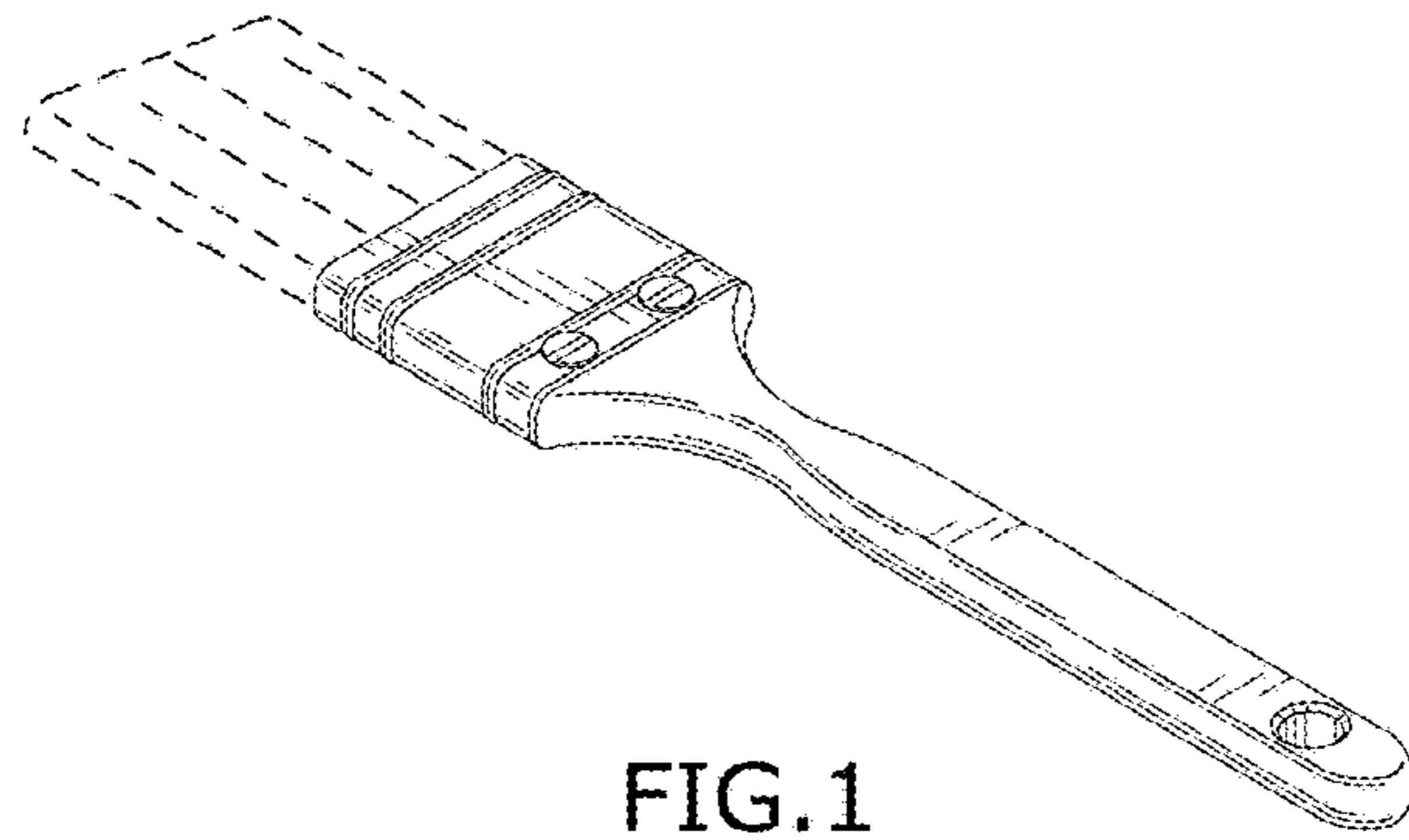


FIG.1

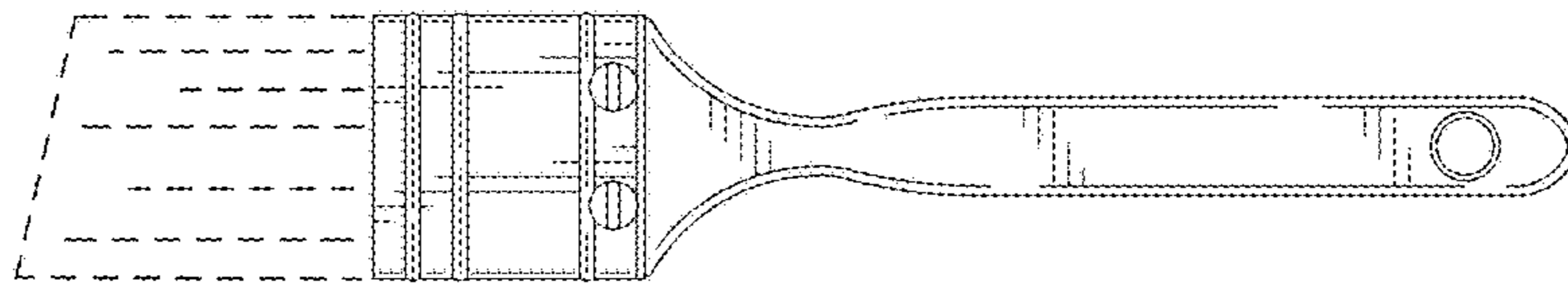


FIG.2

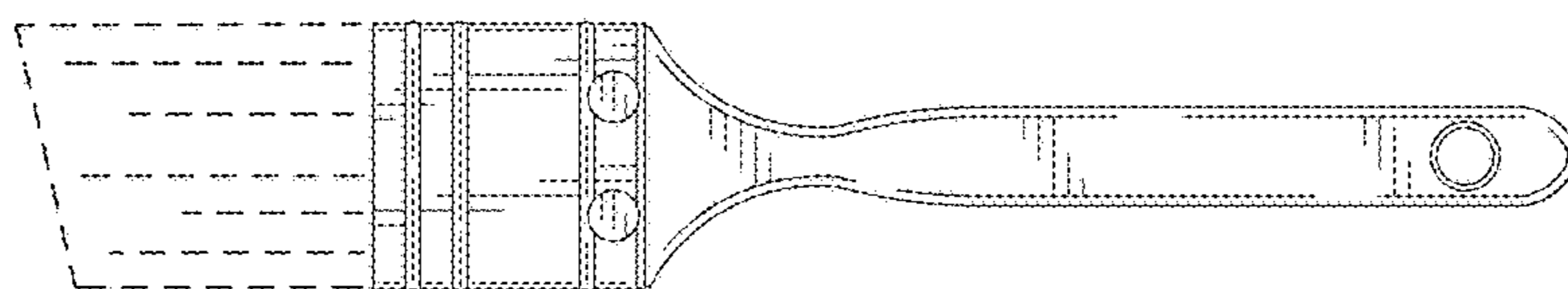


FIG.3

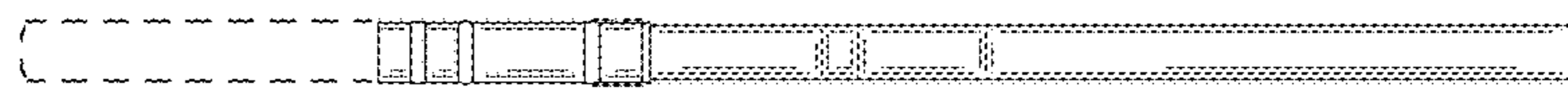


FIG. 4



FIG. 5

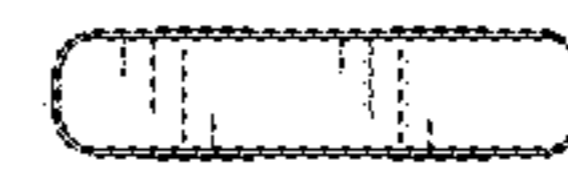


FIG. 6

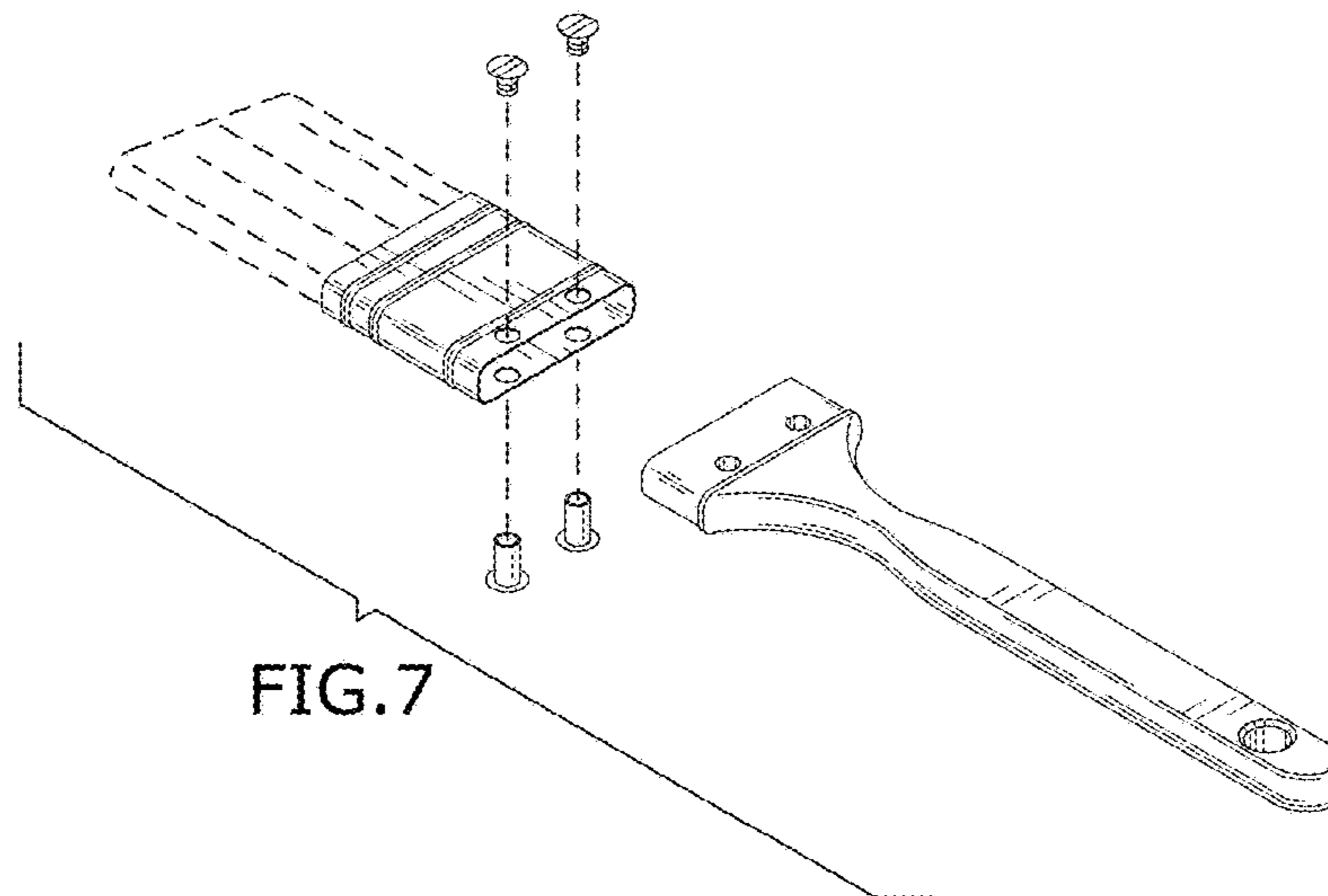


FIG. 7