



US00D843732S

(12) **United States Design Patent**
Kling

(10) **Patent No.:** **US D843,732 S**

(45) **Date of Patent:** **** Mar. 26, 2019**

(54) **ATTACHMENT FOR COSMETIC SKIN
TREATMENT APPARATUS**

(71) Applicant: **Braun GmbH**, Kronberg (DE)

(72) Inventor: **Björn Kling**, Glashutten (DE)

(73) Assignee: **Braun GMBH**, Kronberg (DE)

(**) Term: **15 Years**

(21) Appl. No.: **29/593,682**

(22) Filed: **Feb. 10, 2017**

(30) **Foreign Application Priority Data**

Aug. 26, 2016 (EM) 968550801

(51) **LOC (11) Cl.** **24-02**

(52) **U.S. Cl.**
USPC **D4/127**

(58) **Field of Classification Search**
USPC D4/102, 109, 111, 127, 128, 136;
D24/214, 215; D28/44.1, 59, 63, 64.5,
D28/76, 77, 82
CPC A46B 13/00; A46B 15/00; A46B 17/00;
A46B 2200/00; A46B 2200/10; A46B
2200/102; A61H 7/002; A61H 7/003;
A61H 7/004; A61H 2007/009; A61H
23/00; A61H 2205/02; A61H 2205/022
See application file for complete search history.

(56) **References Cited**

U.S. PATENT DOCUMENTS

D266,116 S * 9/1982 Deconinck D4/127
D333,730 S * 3/1993 Martin D30/158
D479,336 S * 9/2003 La Bianco D24/215
D514,328 S * 2/2006 Huang D24/211
D523,962 S * 6/2006 Huang D24/214
D542,418 S * 5/2007 Chen D24/211
D549,964 S * 9/2007 Roth D4/102

D648,435 S * 11/2011 Brodbeck D24/146
D683,139 S * 5/2013 Chikos D4/102
9,107,486 B2 * 8/2015 Brewer A45D 34/042
D768,391 S * 10/2016 Kling D4/127
D778,064 S * 2/2017 Owen D4/127
D778,065 S * 2/2017 Kern A47K 7/043
D4/127
D778,066 S * 2/2017 Kern D4/127
D781,588 S * 3/2017 Lee D4/102
D782,197 S * 3/2017 Kern D4/127
D795,593 S * 8/2017 Huang D4/127
D796,212 S * 9/2017 Thornton D4/127
D804,189 S * 12/2017 von Berg D4/100

(Continued)

FOREIGN PATENT DOCUMENTS

EP 2886098 A1 * 6/2015 A46B 13/008
WO WO-2013132364 A1 * 9/2013 A47K 7/04

Primary Examiner — Wan Laymon

Assistant Examiner — Clint A Samuel

(74) *Attorney, Agent, or Firm* — Ronald T. Sia; Kevin C. Johnson

(57) **CLAIM**

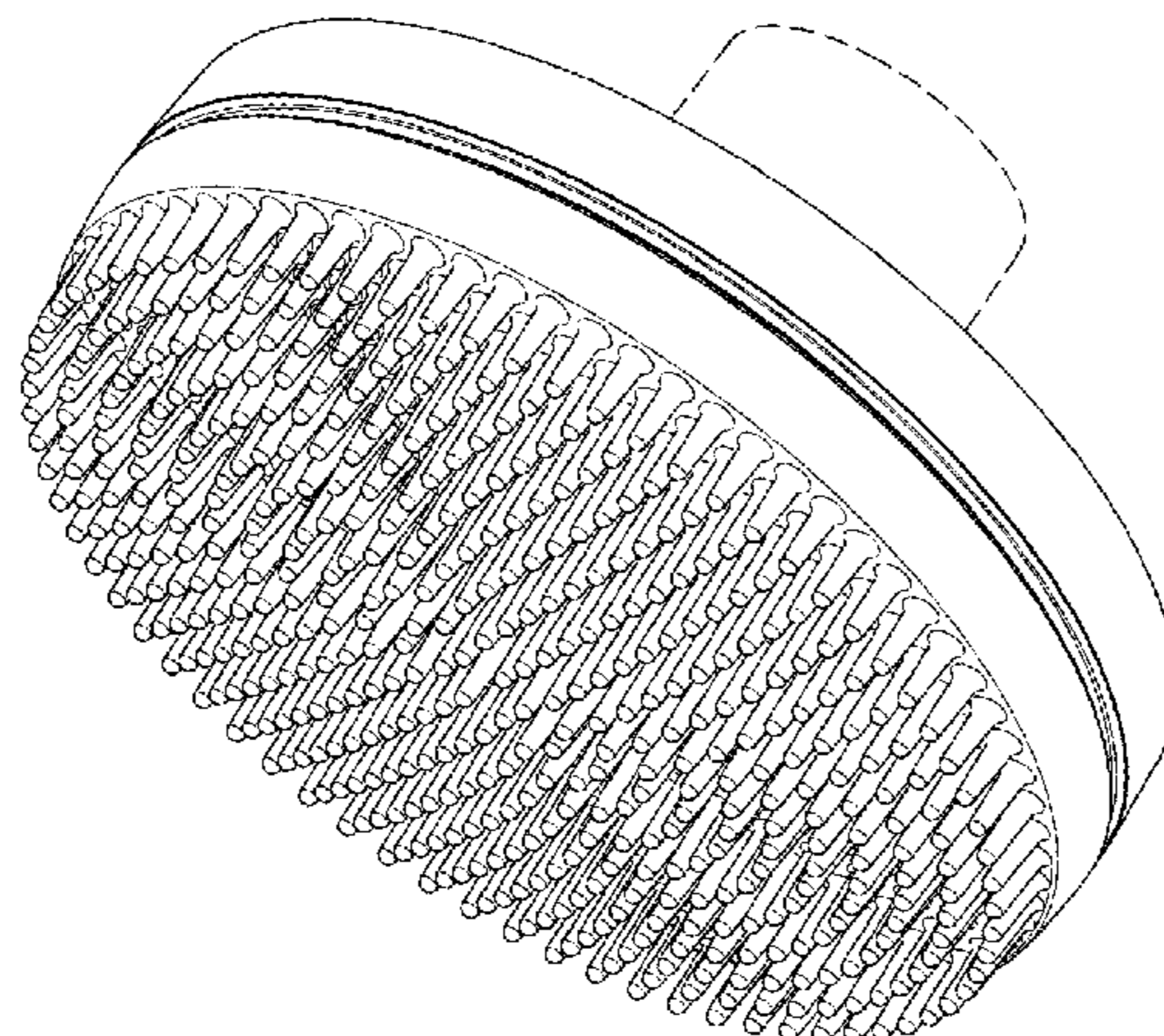
The ornamental design for an attachment for cosmetic skin treatment apparatus or the like, as shown and described.

DESCRIPTION

FIG. 1 is a perspective view of an attachment for cosmetic skin treatment apparatus;
FIG. 2 is a front view thereof;
FIG. 3 is a right side view thereof;
FIG. 4 is a rear view thereof;
FIG. 5 is a left side view thereof;
FIG. 6 is a top plan view thereof; and,
FIG. 7 is a bottom plan view thereof.

The dash broken lines are directed to the environment and are for illustrative purposes only and form no part of the claimed design.

1 Claim, 3 Drawing Sheets



(56)

References Cited

U.S. PATENT DOCUMENTS

D804,826 S * 12/2017 Kling D4/127
D805,783 S * 12/2017 Wang D4/114
2015/0257521 A1* 9/2015 Hendler H02K 33/16
15/22.4
2018/0028395 A1* 2/2018 Roth A61H 7/003
2018/0092449 A1* 4/2018 Straka A45D 34/042

* cited by examiner

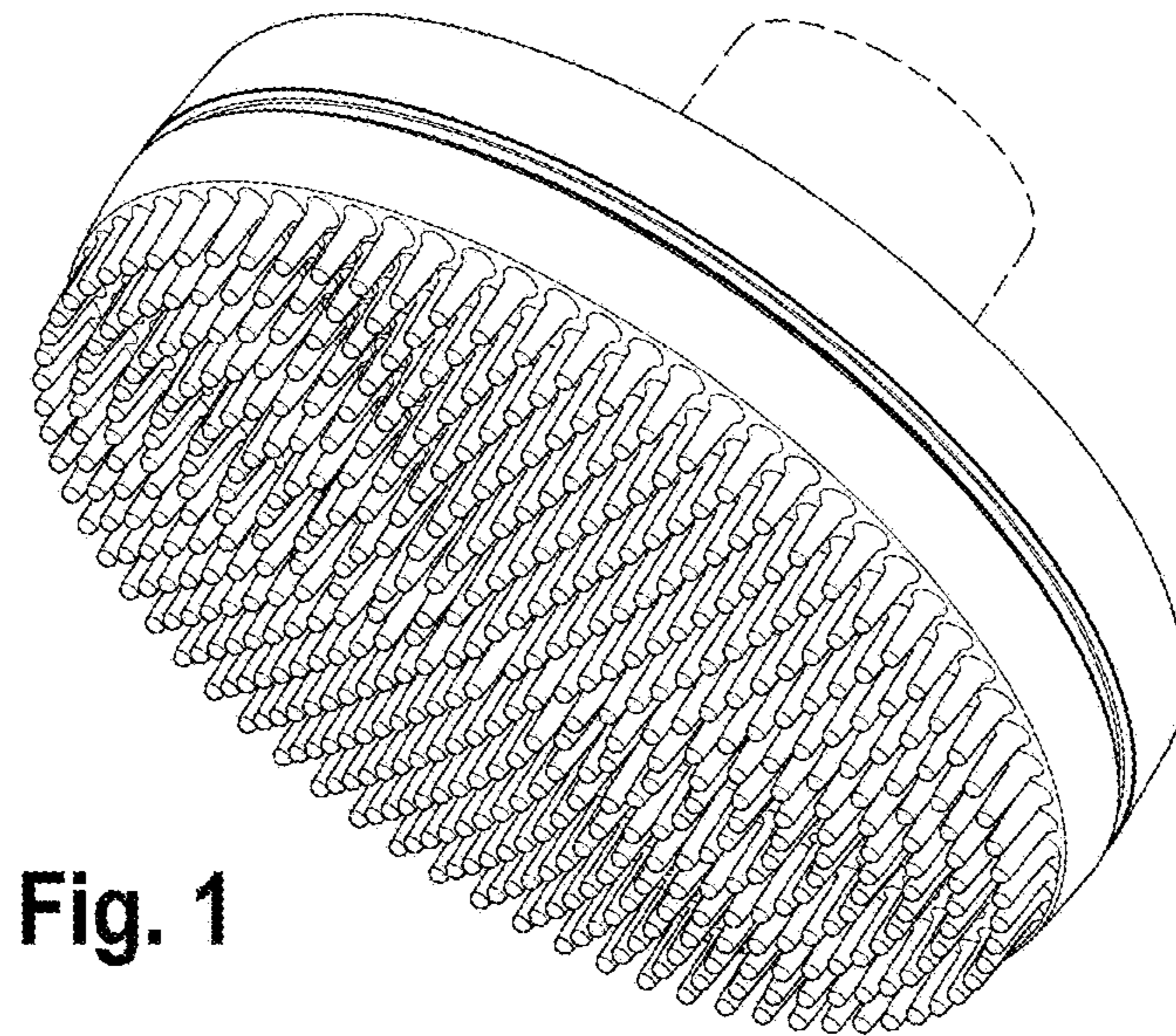


Fig. 1

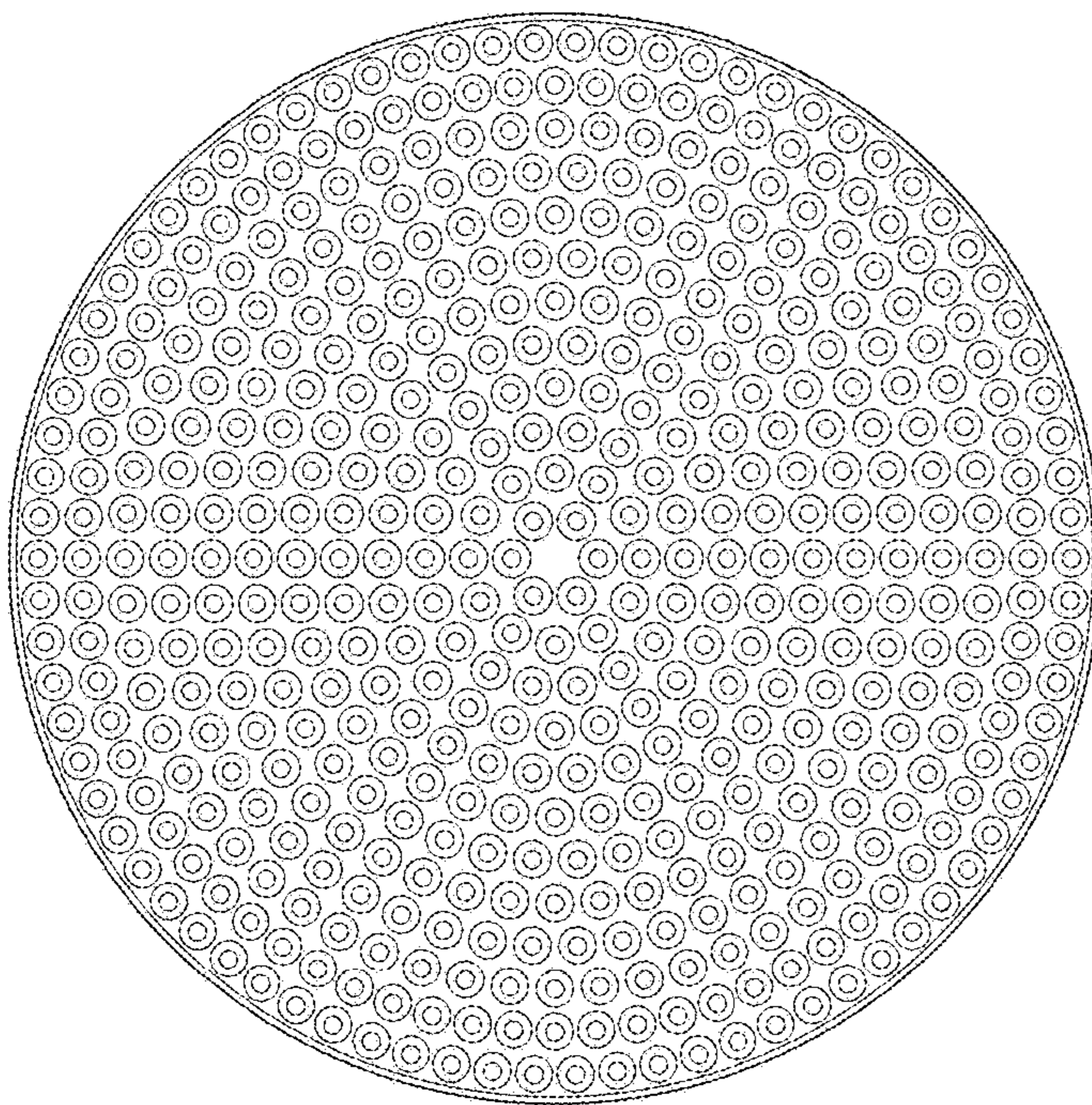


Fig. 2

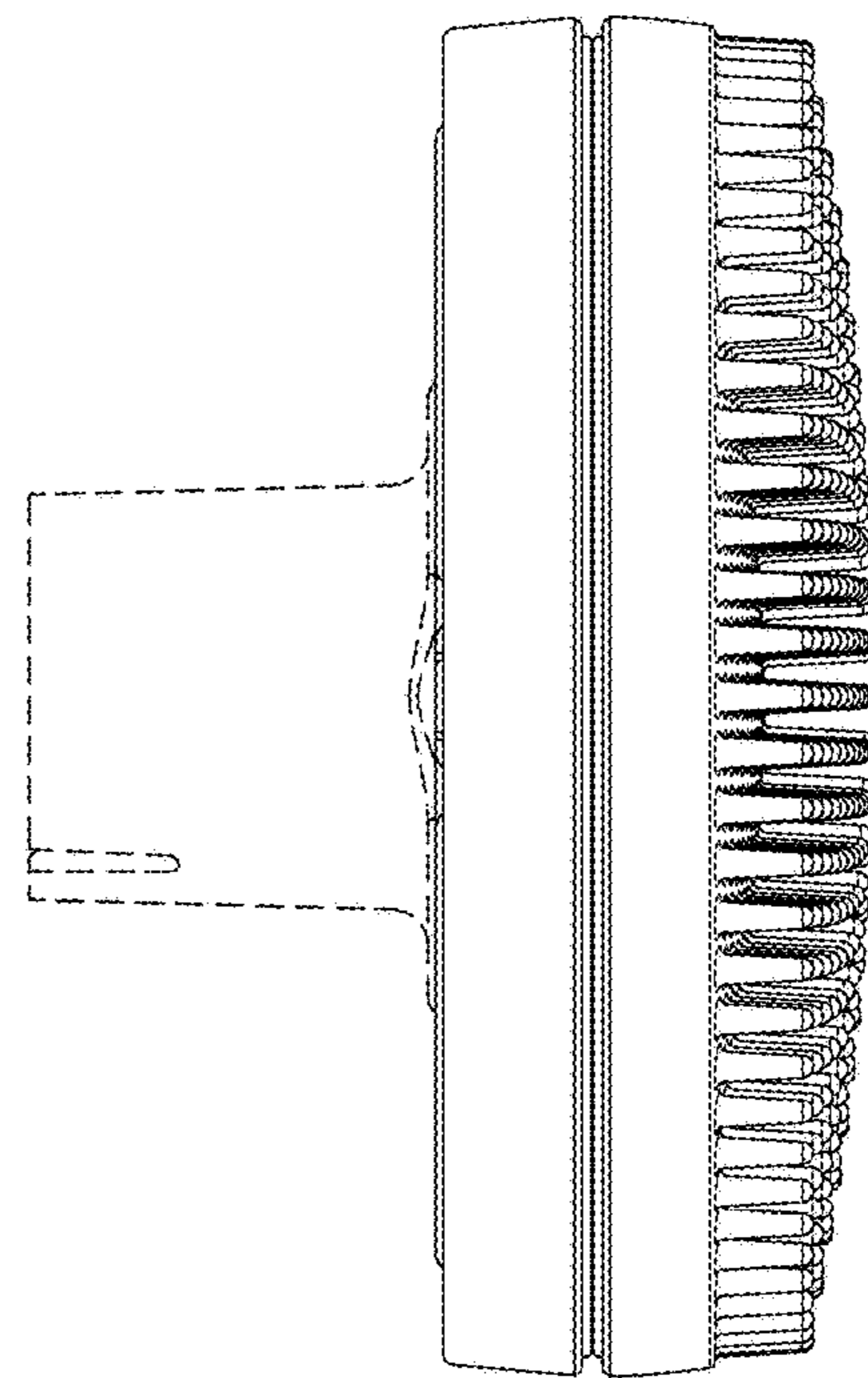


Fig. 3

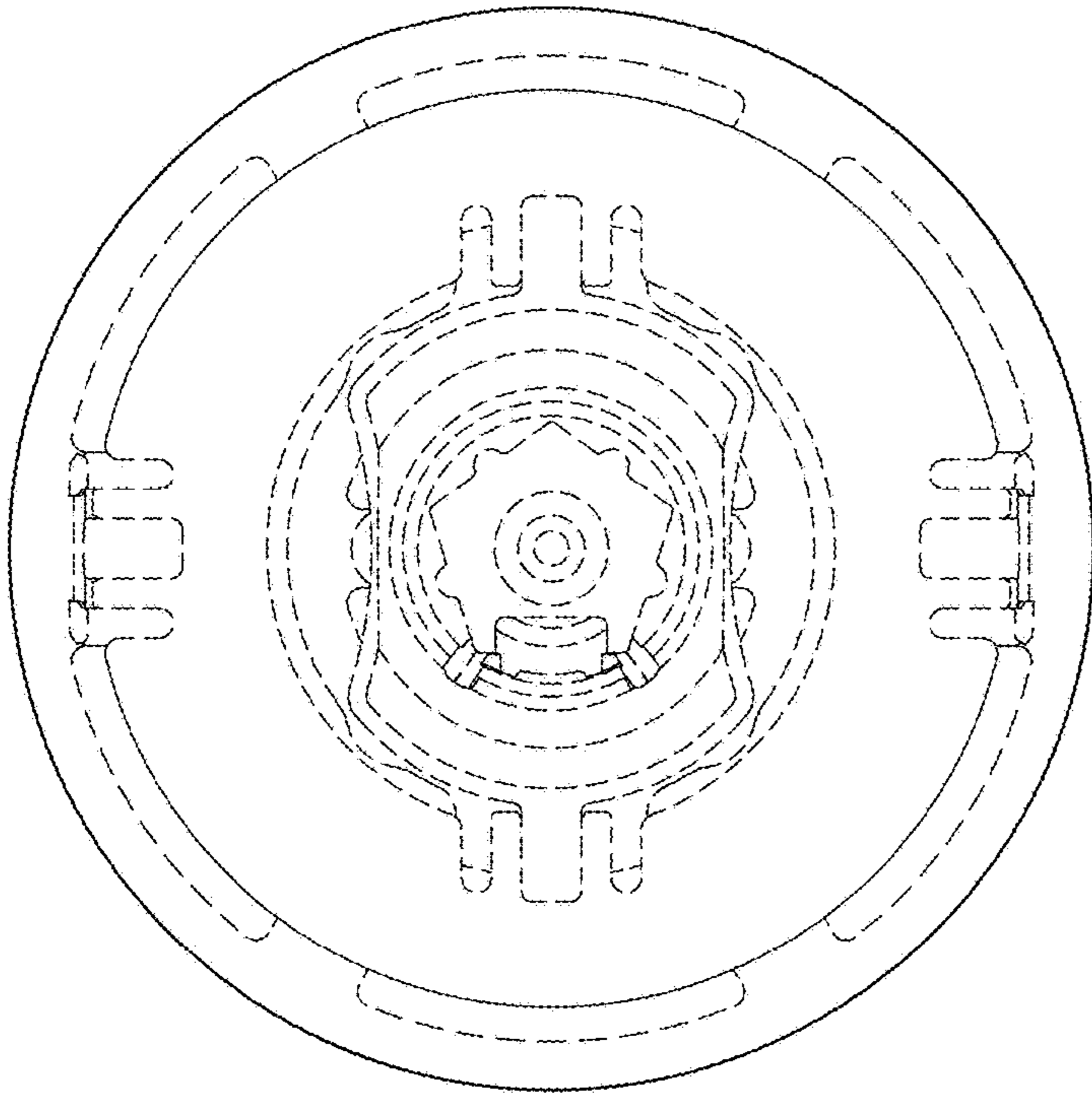


Fig. 4

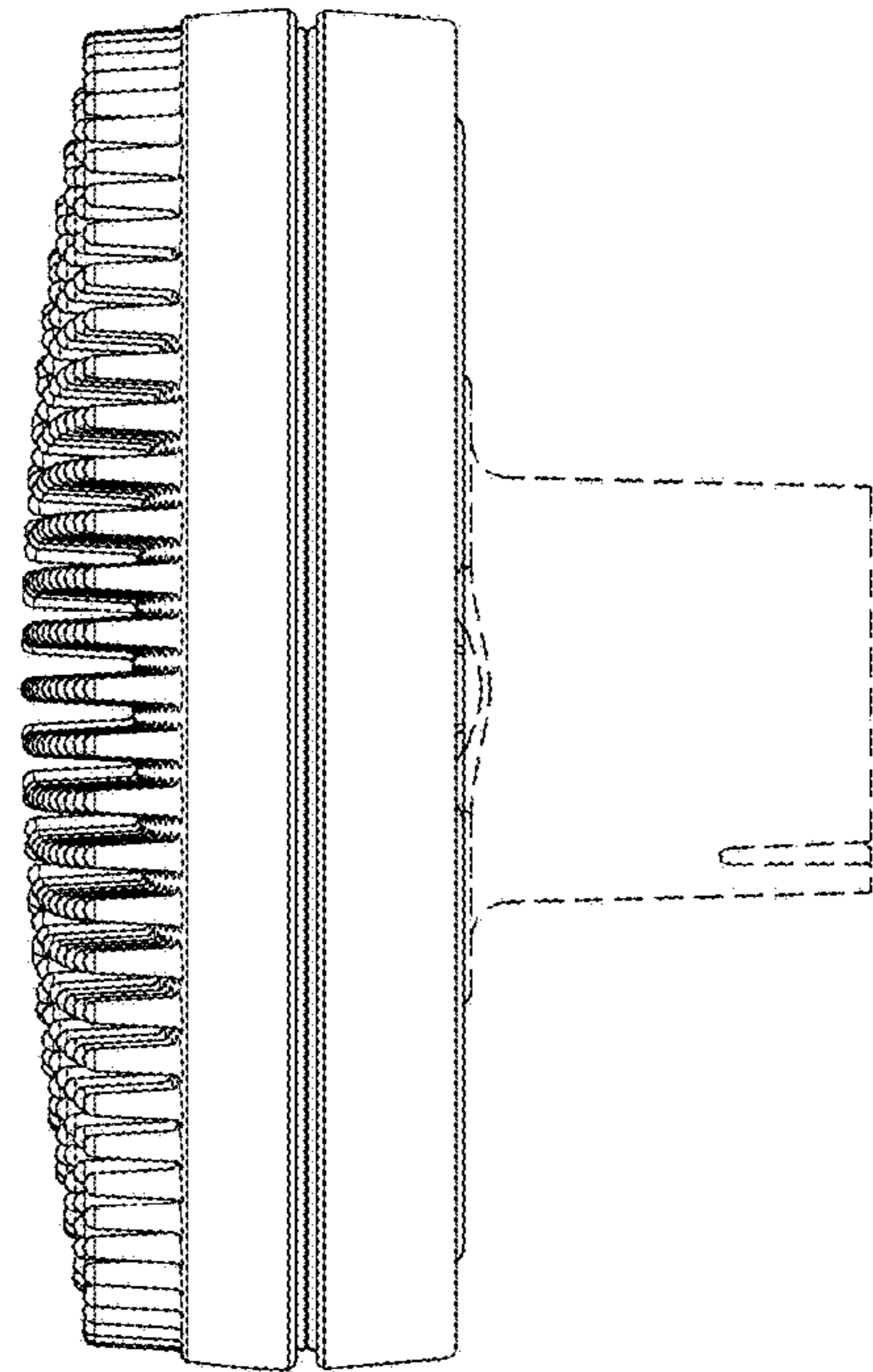


Fig. 5

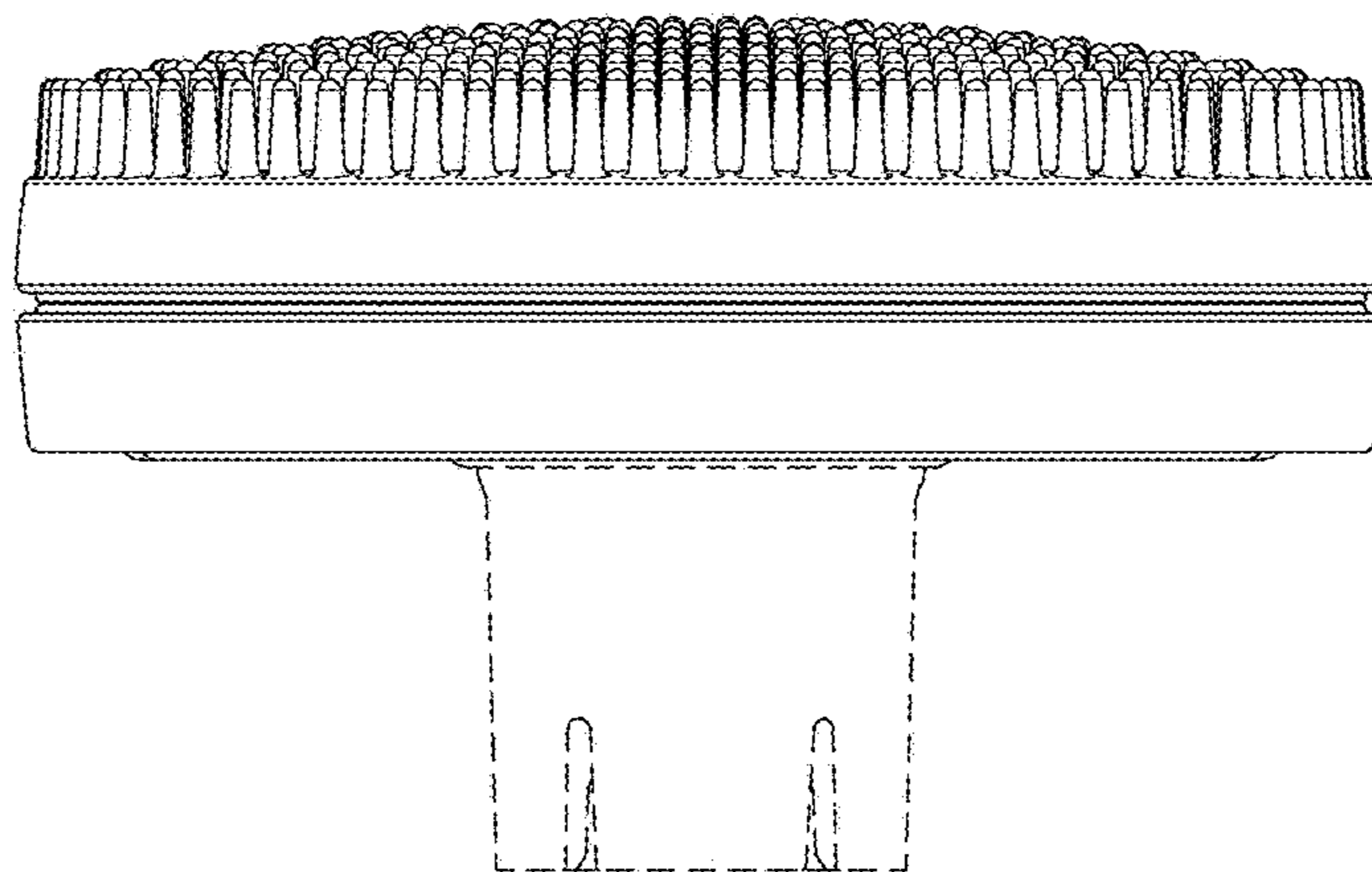


Fig. 6

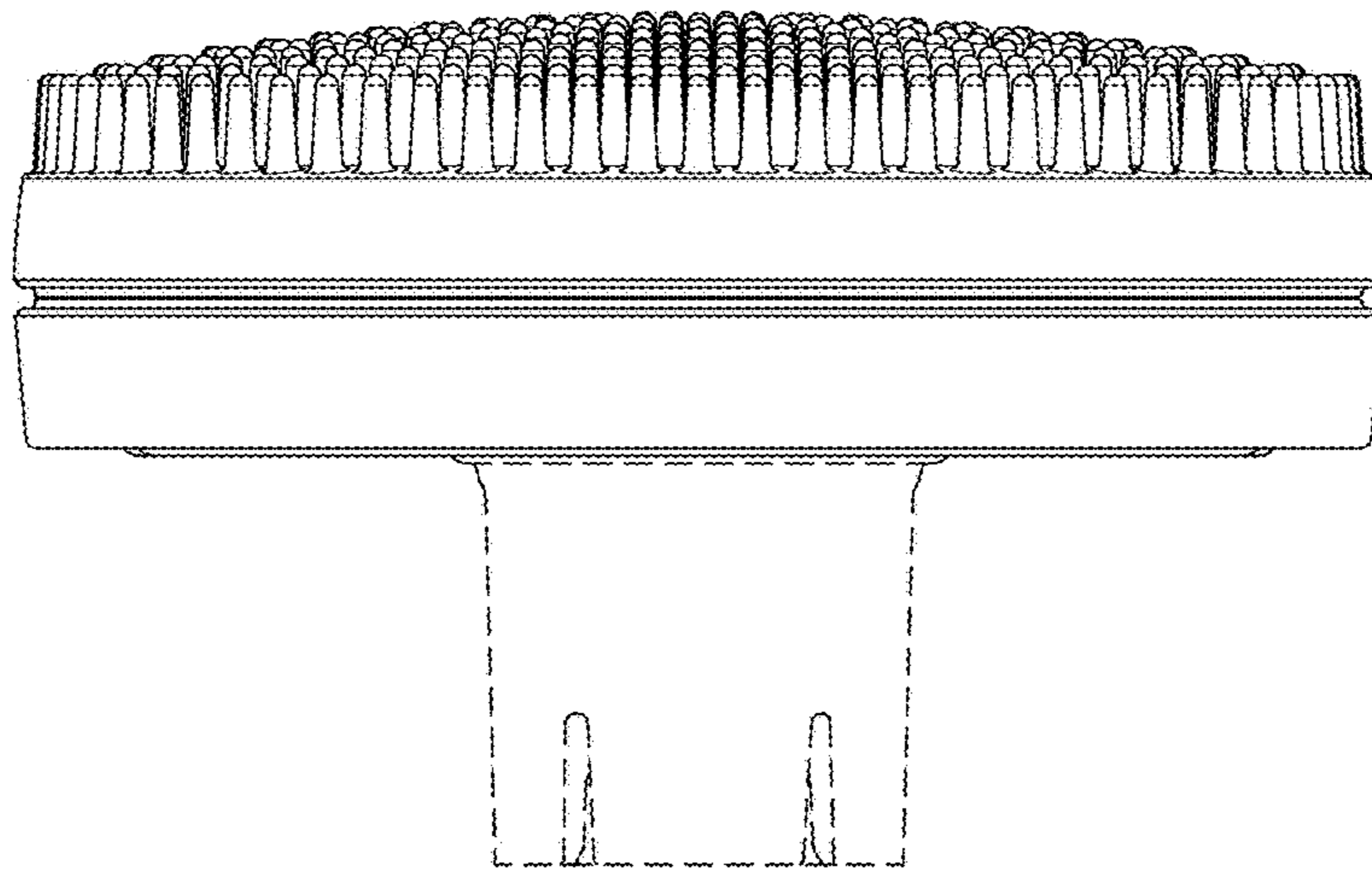


Fig. 7