



US00D843731S

(12) **United States Design Patent**
Morelli et al.

(10) **Patent No.:** **US D843,731 S**

(45) **Date of Patent:** **** Mar. 26, 2019**

(54) **STRAPPING FOR A HANDBAG**

(71) Applicant: **Stuart Weitzman IP, LLC**, Ft. Lauderdale, FL (US)

(72) Inventors: **Giovanni Morelli**, New York, NY (US); **Jane Choi**, New York, NY (US); **Lorenzo Pasetti**, New York, NY (US)

(73) Assignee: **STUART WEITZMAN IP, LLC**, Ft. Lauderdale, FL (US)

(**) Term: **15 Years**

(21) Appl. No.: **29/633,291**

(22) Filed: **Jan. 12, 2018**

(51) **LOC (11) Cl.** **03-01**

(52) **U.S. Cl.**
USPC **D3/327; D3/318**

(58) **Field of Classification Search**
USPC D3/232–233, 240–243, 245–246, 318
CPC .. A45C 1/024; A45C 3/06; A45F 3/04; A63B 55/00

See application file for complete search history.

(56) **References Cited**

U.S. PATENT DOCUMENTS

2,608,326 A * 8/1952 Spector A45F 3/12
224/264
D532,201 S * 11/2006 Esch A45F 3/14
D3/327

D740,032 S * 10/2015 Bell D3/327
D741,067 S * 10/2015 Votel D3/327
D762,984 S * 8/2016 Blumenfeld D3/327
D793,089 S * 8/2017 Jackson D3/327

* cited by examiner

Primary Examiner — Holly H Baynham

(74) *Attorney, Agent, or Firm* — Gottlieb, Rackman & Reisman, P.C.

(57) **CLAIM**

The ornamental design for a strapping for a handbag, as shown.

DESCRIPTION

FIGS. 1-8 show an embodiment of the strapping for a handbag of my design;

FIG. 1 is a perspective view of a handbag with strapping showing my design taken from a top left side;

FIG. 2 is a front perspective view thereof;

FIG. 3 is a rear perspective view thereof;

FIG. 4 is a right perspective view thereof;

FIG. 5 is a left perspective view thereof;

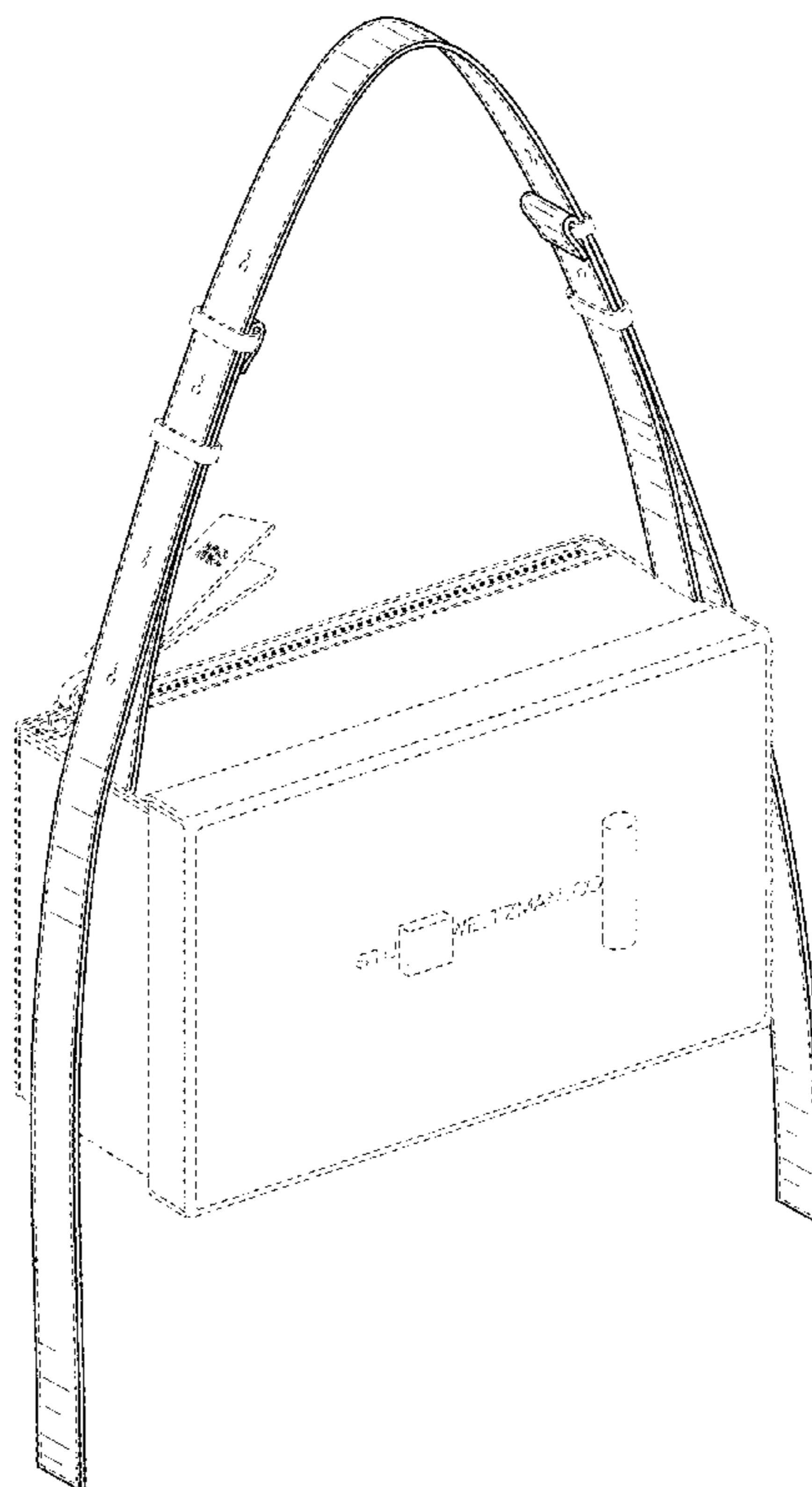
FIG. 6 is a top perspective view thereof;

FIG. 7 is a bottom perspective view thereof; and,

FIG. 8 is perspective view thereof taken from a top left side and showing the strapping for the handbag with the handbag in an open position.

The broken lines showing stitching and portions of the handbag are for the purposes of illustrating environment and forms no part of the claimed design.

1 Claim, 8 Drawing Sheets



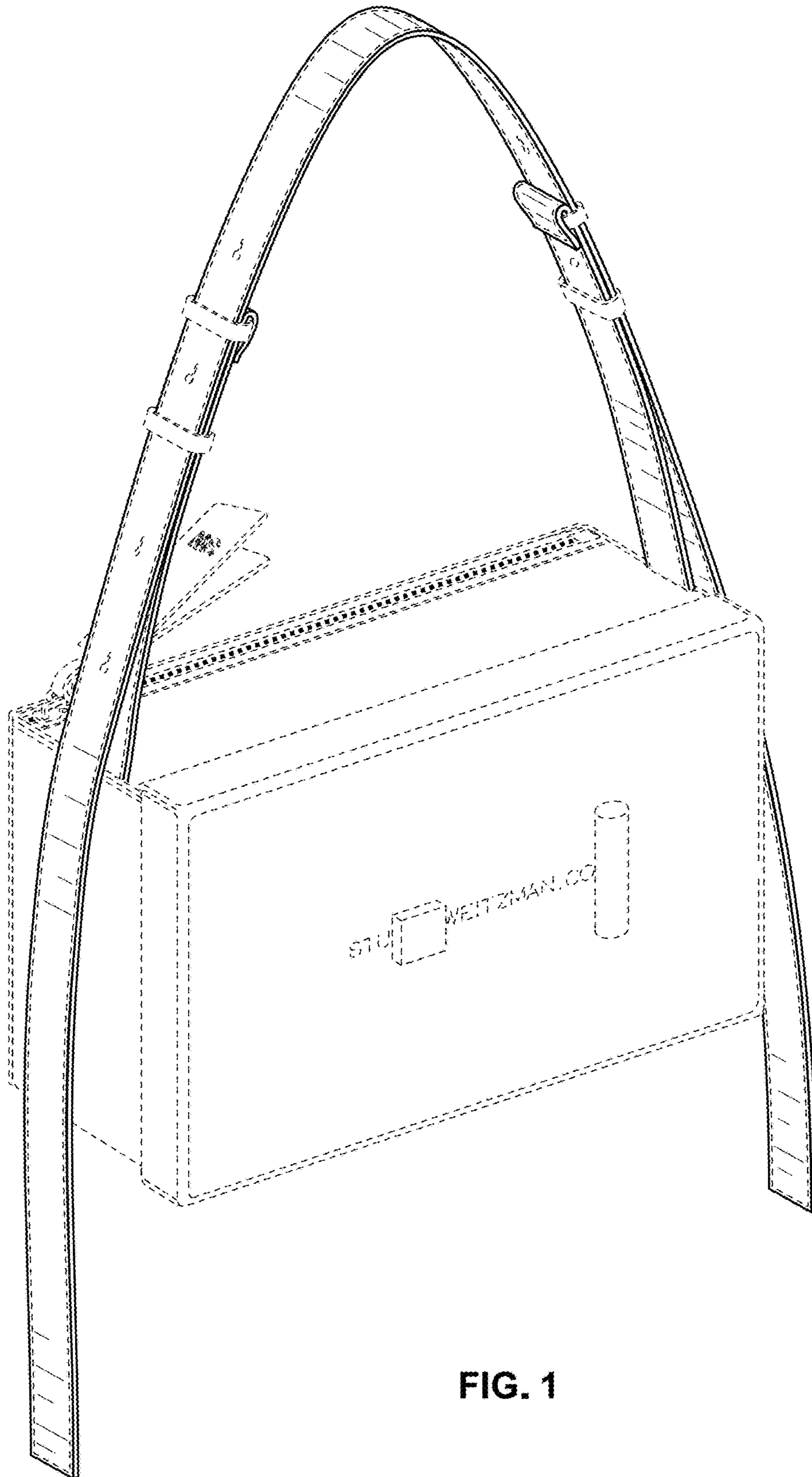


FIG. 1

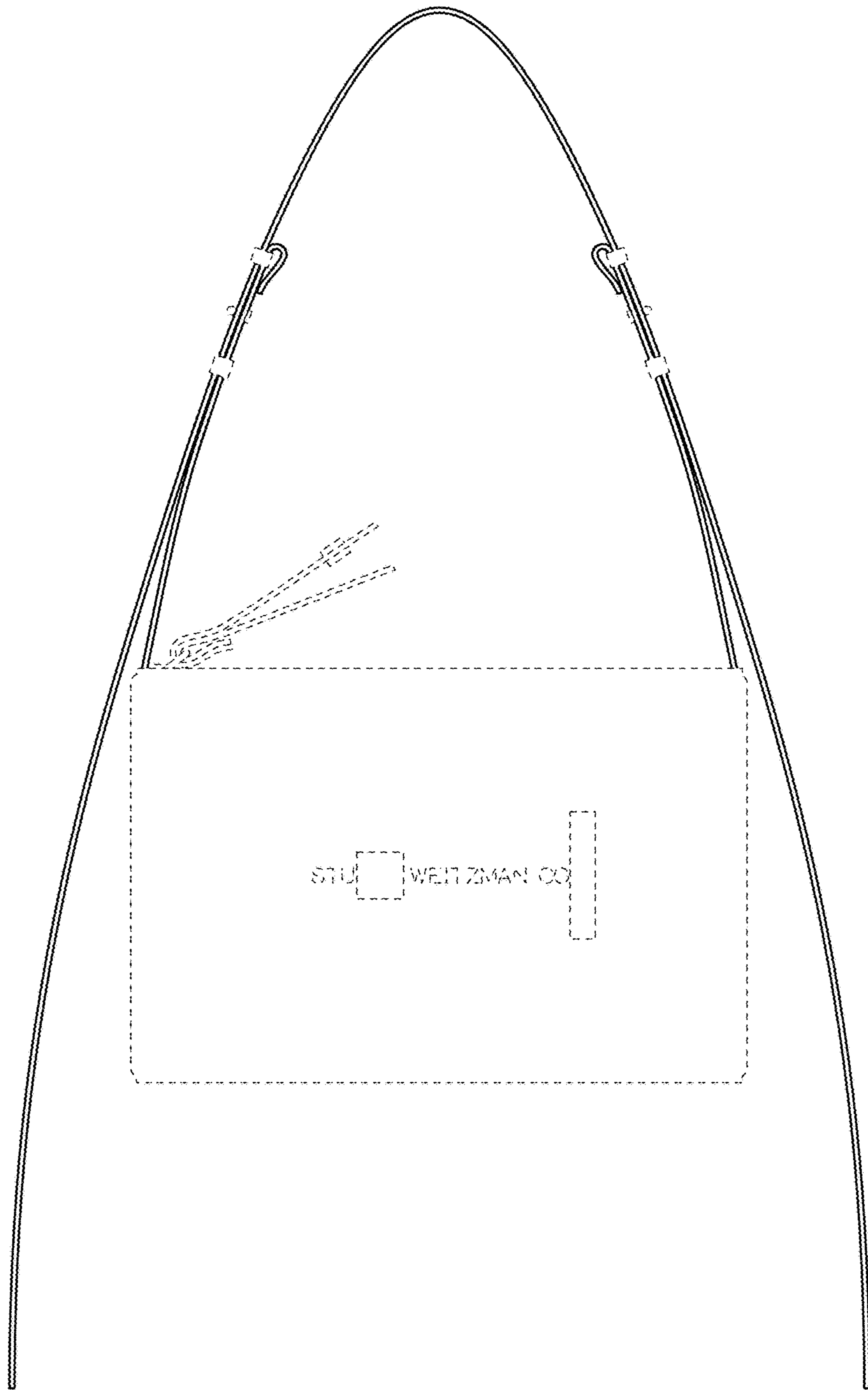


FIG. 2

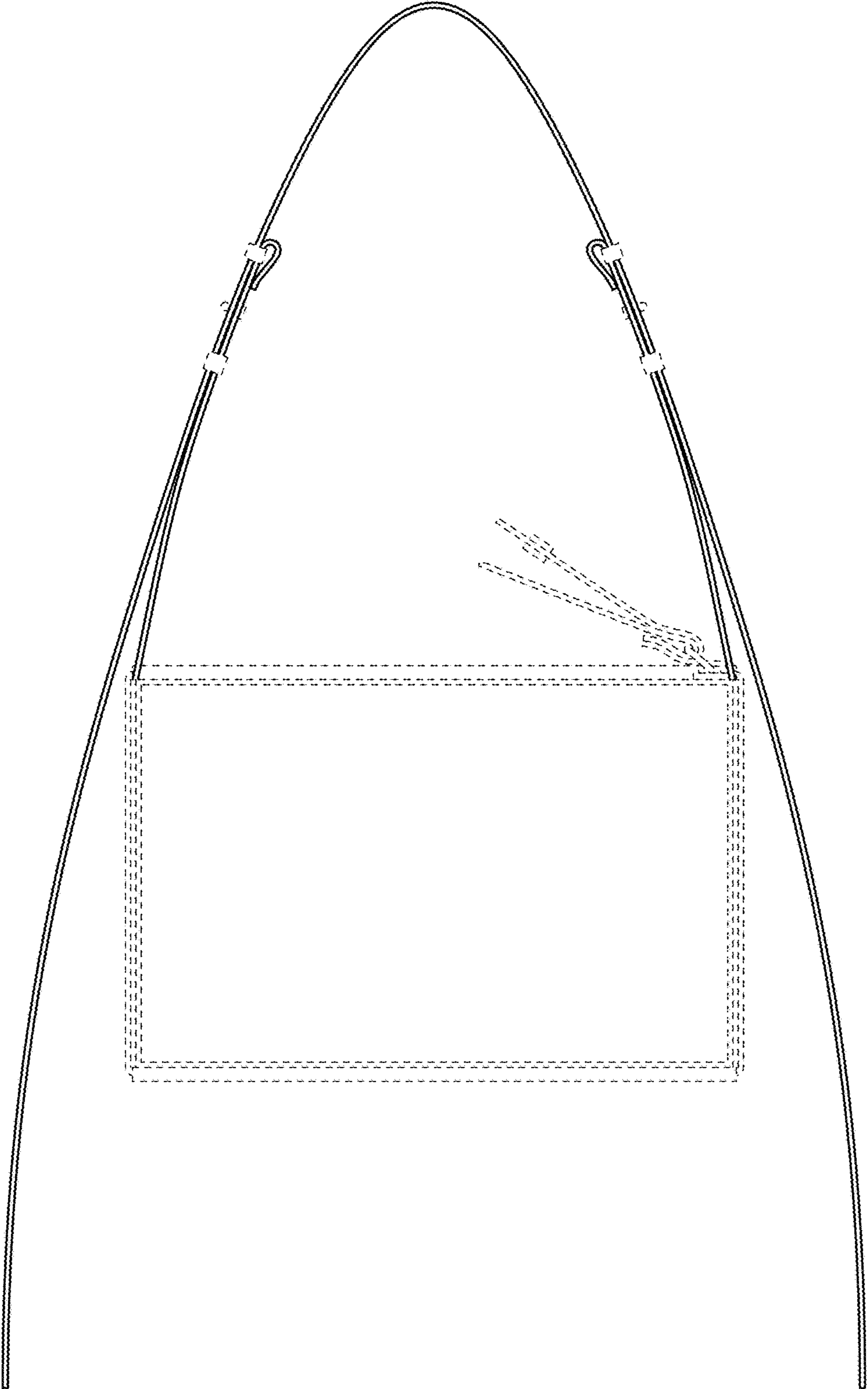


FIG. 3

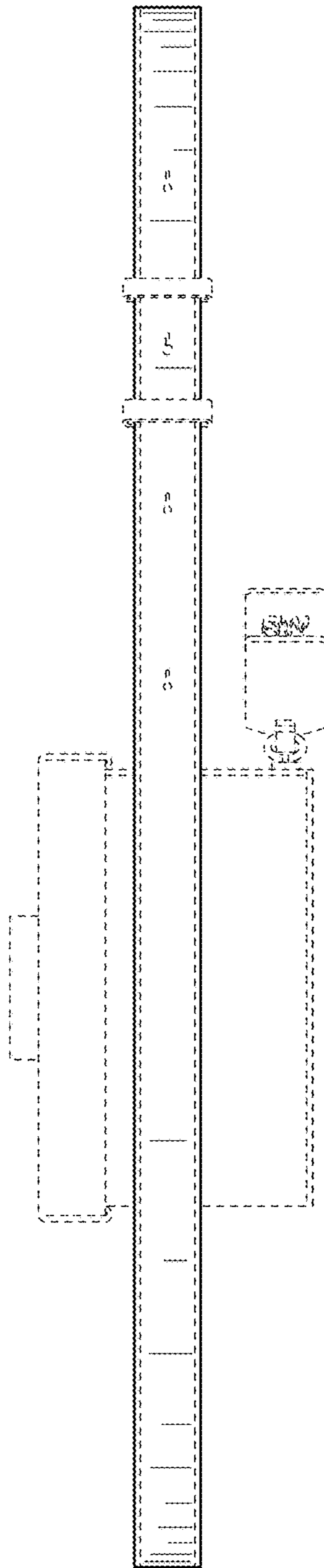


FIG. 4

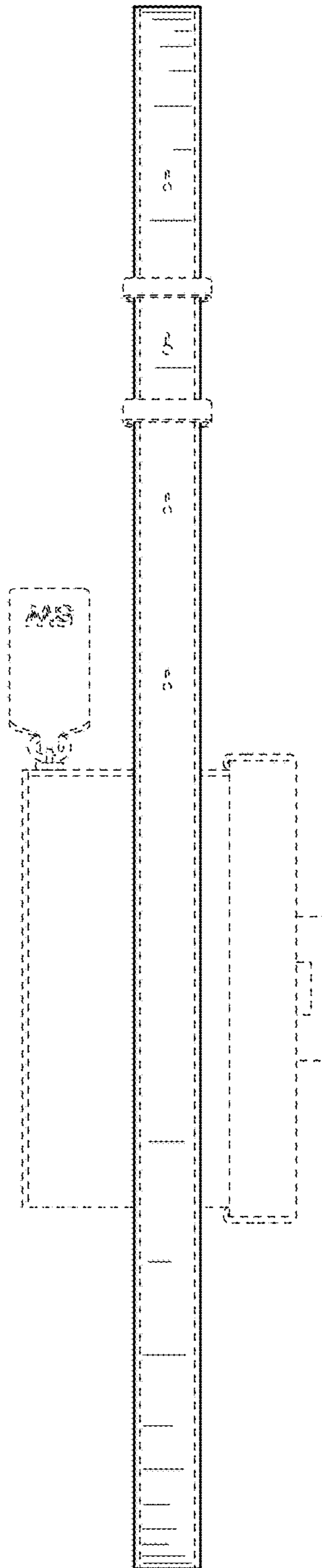


FIG. 5

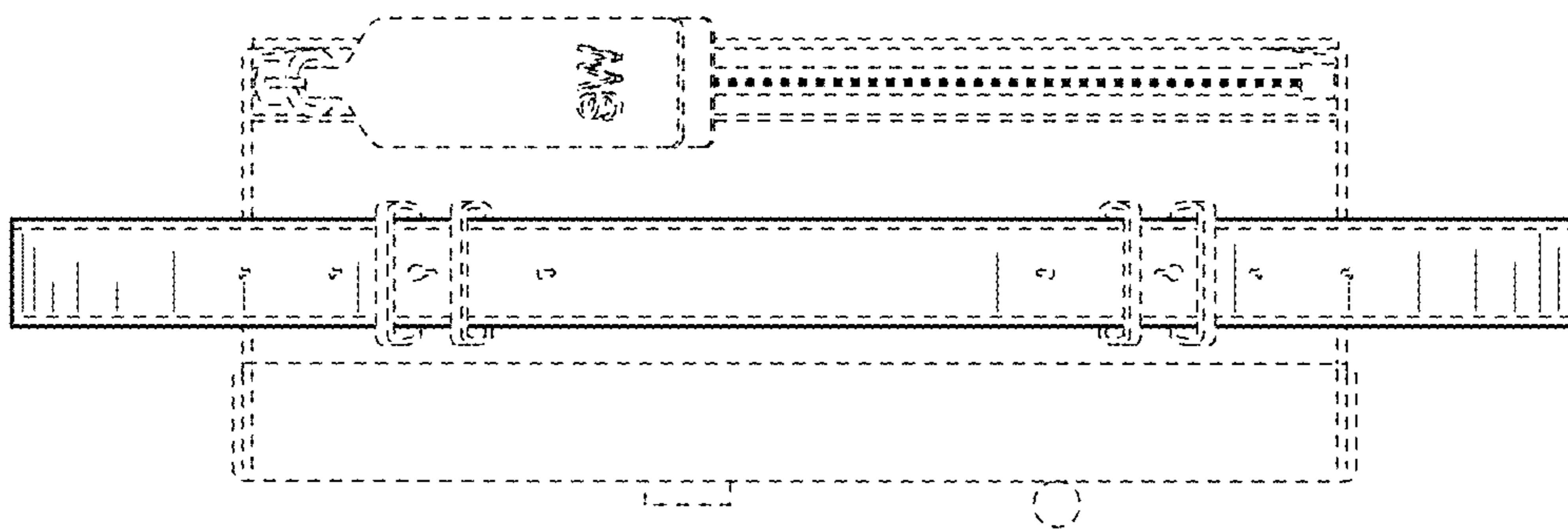


FIG. 6

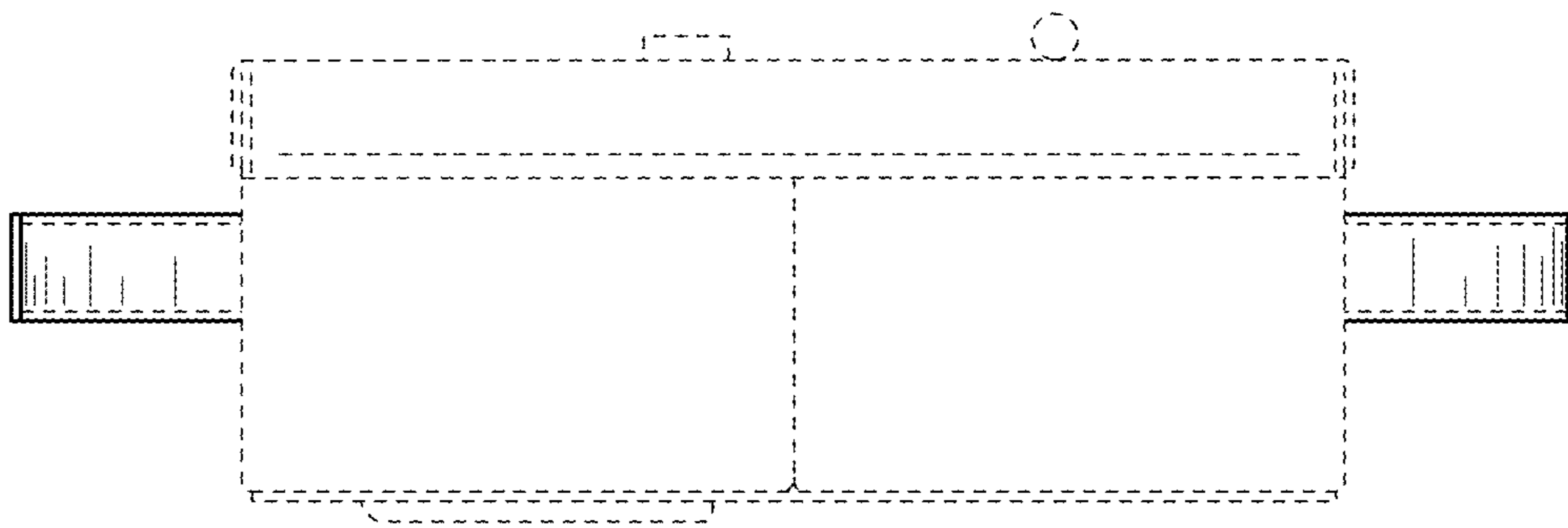


FIG. 7

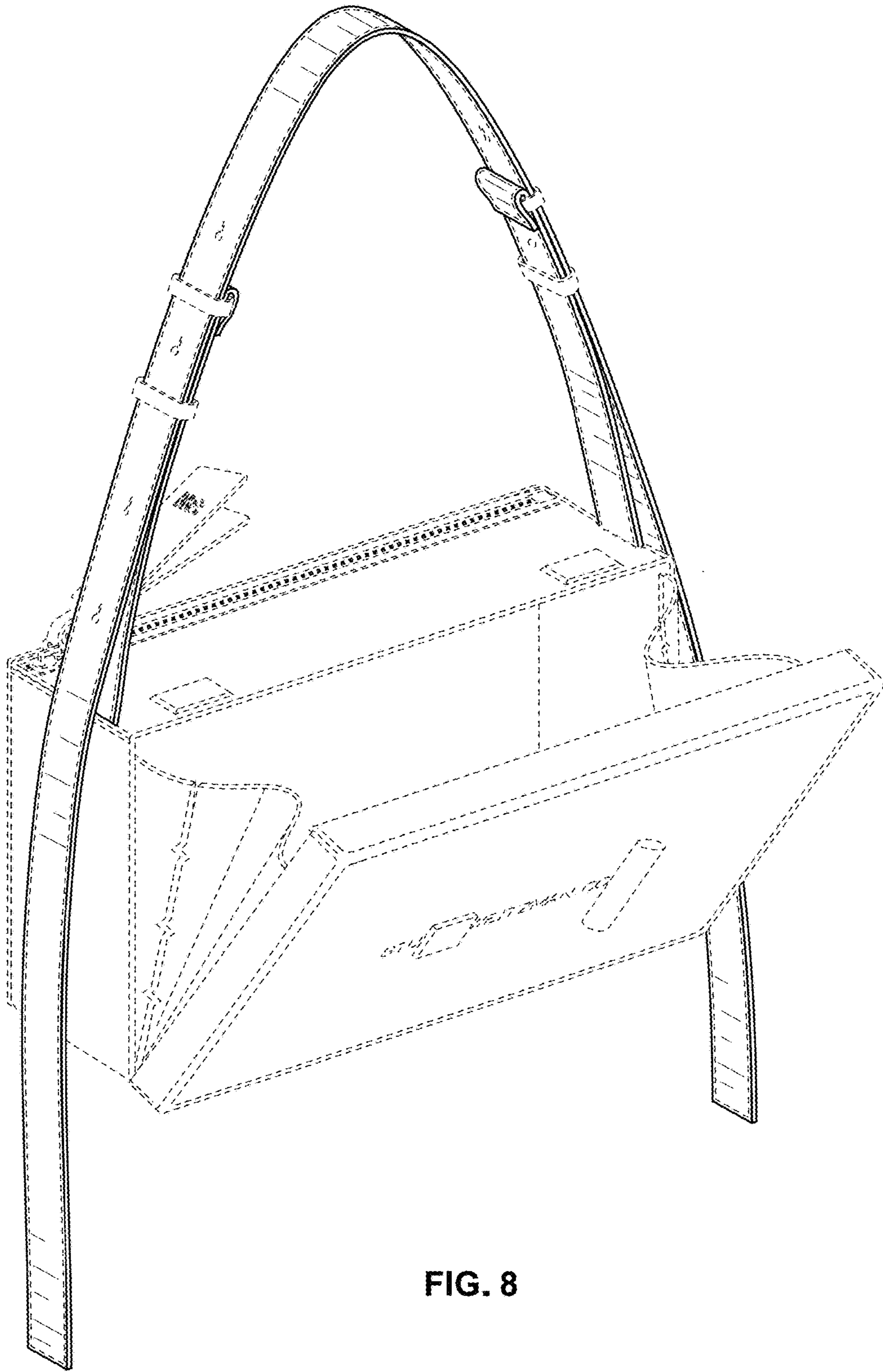


FIG. 8