



US00D843728S

(12) **United States Design Patent**
Lynch

(10) **Patent No.:** **US D843,728 S**

(45) **Date of Patent:** **** Mar. 26, 2019**

(54) **BIN LABEL**

(71) Applicant: **Lori Ann Lynch**, Carlsbad, CA (US)

(72) Inventor: **Lori Ann Lynch**, Carlsbad, CA (US)

(**) Term: **15 Years**

(21) Appl. No.: **29/626,739**

(22) Filed: **Nov. 20, 2017**

(51) **LOC (11) Cl.** **03-01**

(52) **U.S. Cl.**
USPC **D3/318**

(58) **Field of Classification Search**
USPC D3/318; D20/22, 27
CPC G09F 3/00; A47B 2095/025; A47B 95/02
See application file for complete search history.

(56) **References Cited**

U.S. PATENT DOCUMENTS

- 2,747,538 A * 5/1956 Morse, Jr. G10K 3/00
116/148
- D262,895 S * 2/1982 Szabo D19/10
- D324,954 S * 3/1992 Lewis D20/27
- D342,284 S * 12/1993 McMarrell D20/22

- D356,832 S * 3/1995 Maxwell-Trumble D11/46
- D433,715 S * 11/2000 Bartz D20/22
- D453,357 S * 2/2002 Salemi D20/22
- 7,131,224 B1 * 11/2006 Elliott B65D 25/205
40/312

* cited by examiner

Primary Examiner — Holly H Baynham

(57) **CLAIM**

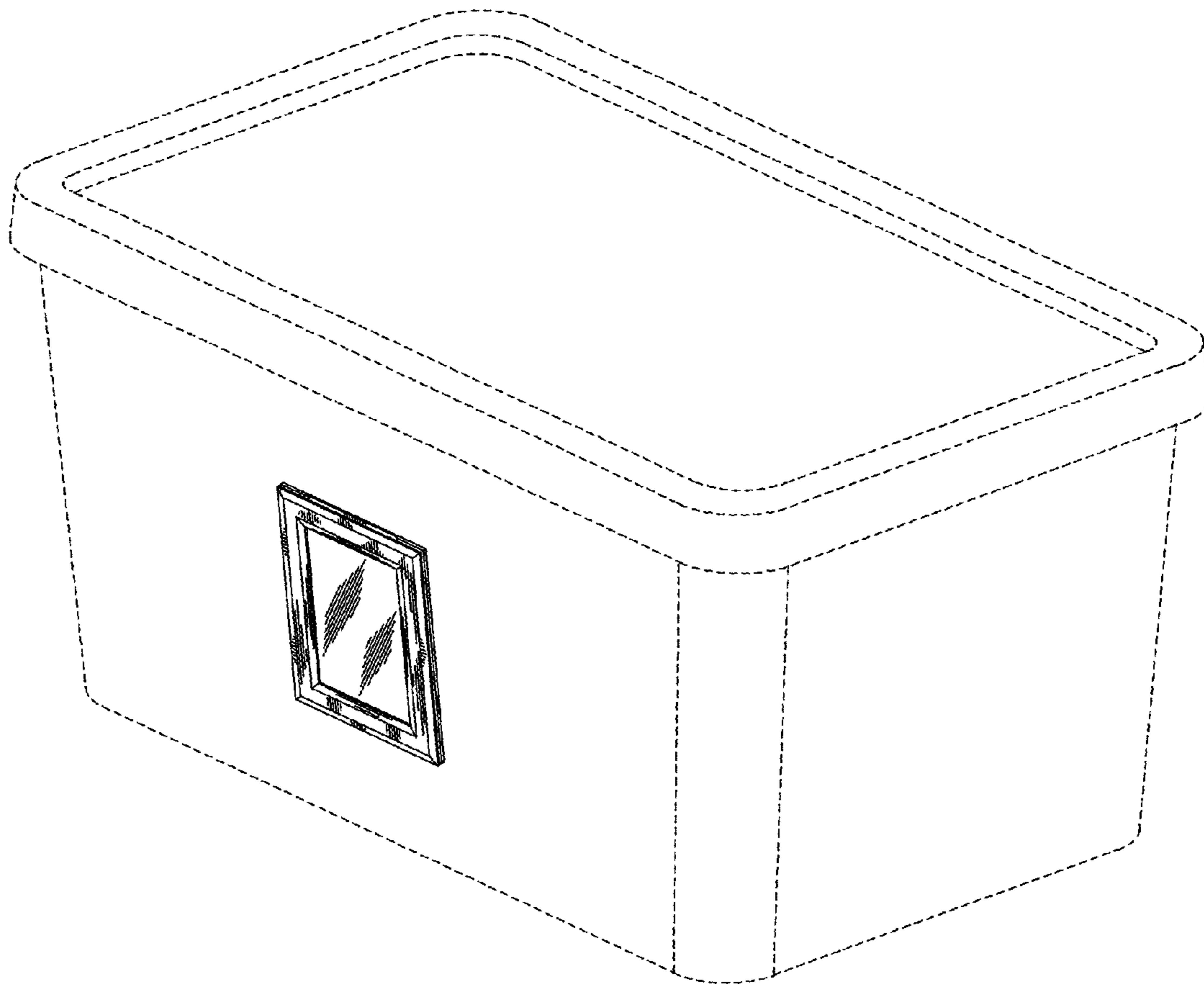
The ornamental design for a bin/label, as shown and described.

DESCRIPTION

FIG. 1 is an environmental view of the bin/label;
FIG. 2 is an enlarged perspective view thereof;
FIG. 3 is a front elevational view thereof;
FIG. 4 is a right side elevational view thereof;
FIG. 5 is a rear elevational view thereof;
FIG. 6 is a left side elevational view thereof;
FIG. 7 is a top view thereof; and,
FIG. 8 is a bottom view thereof.

The broken lines showing a bin are for the purposes of illustrating environment and form no part of the claimed design.

1 Claim, 5 Drawing Sheets



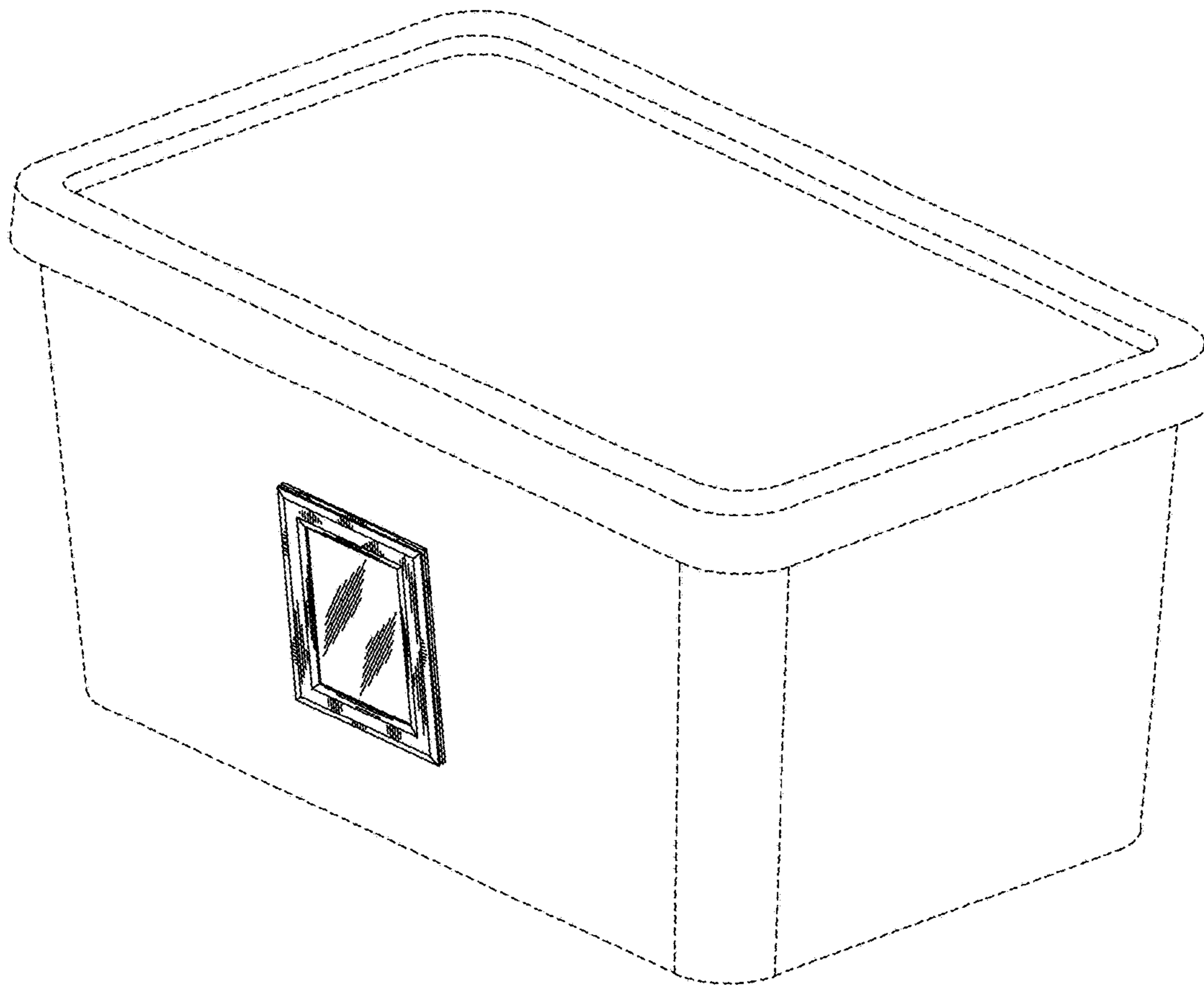


FIG 1

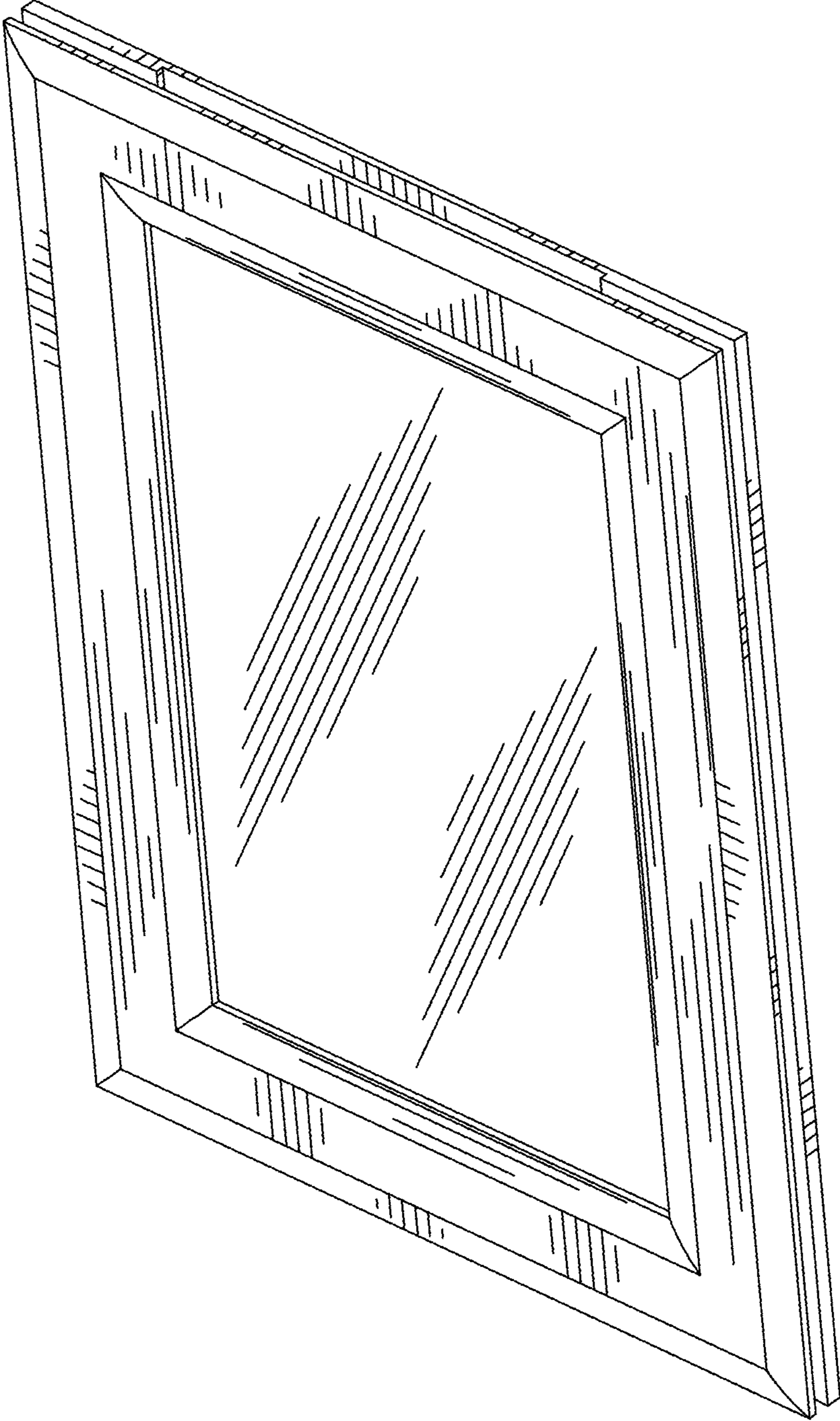


FIG 2

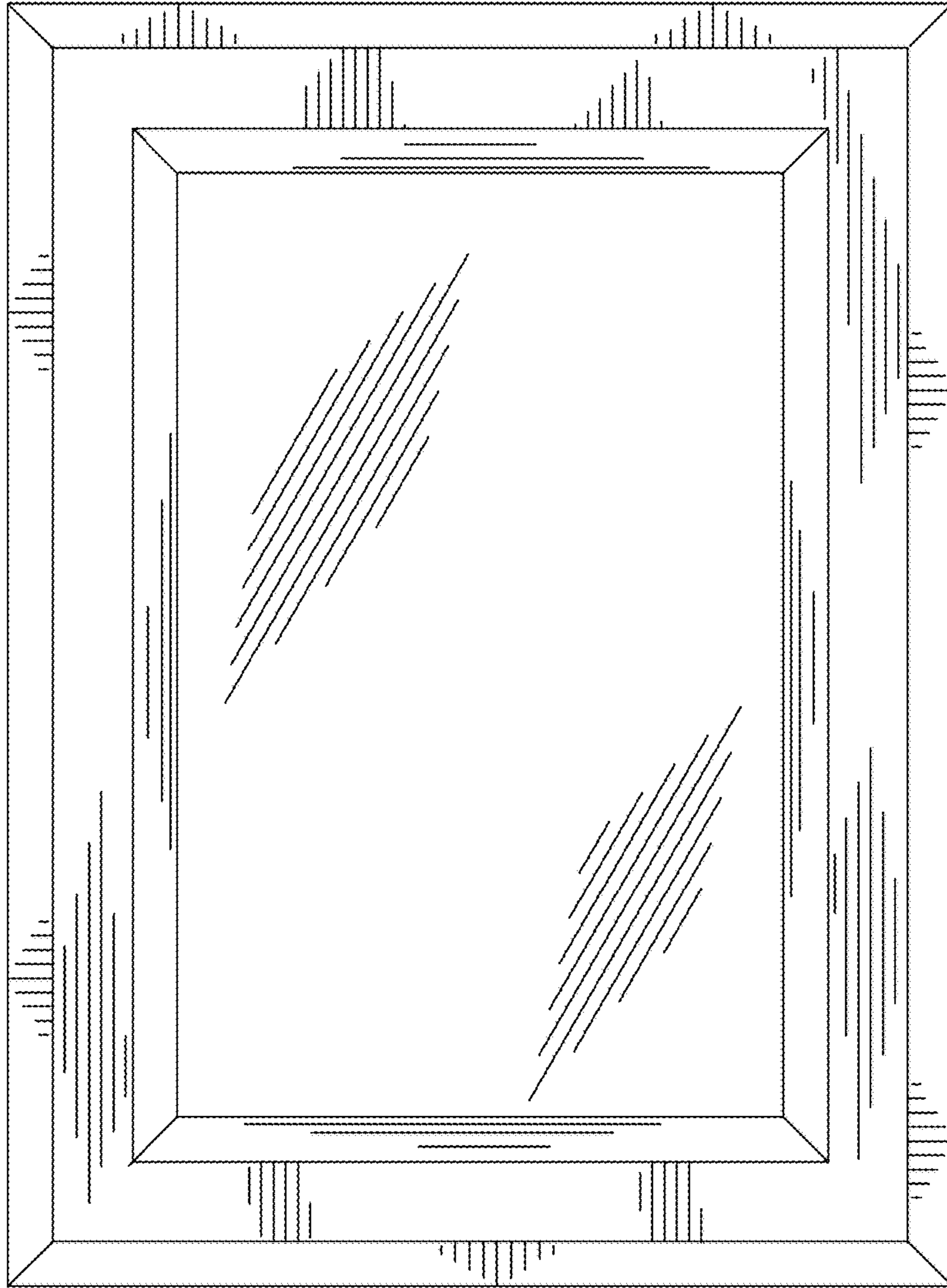


FIG 3

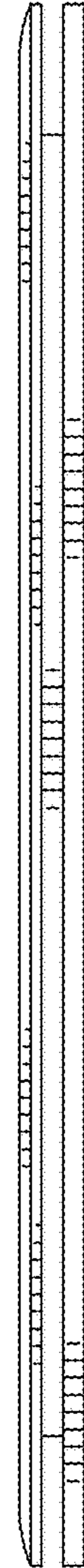


FIG 4

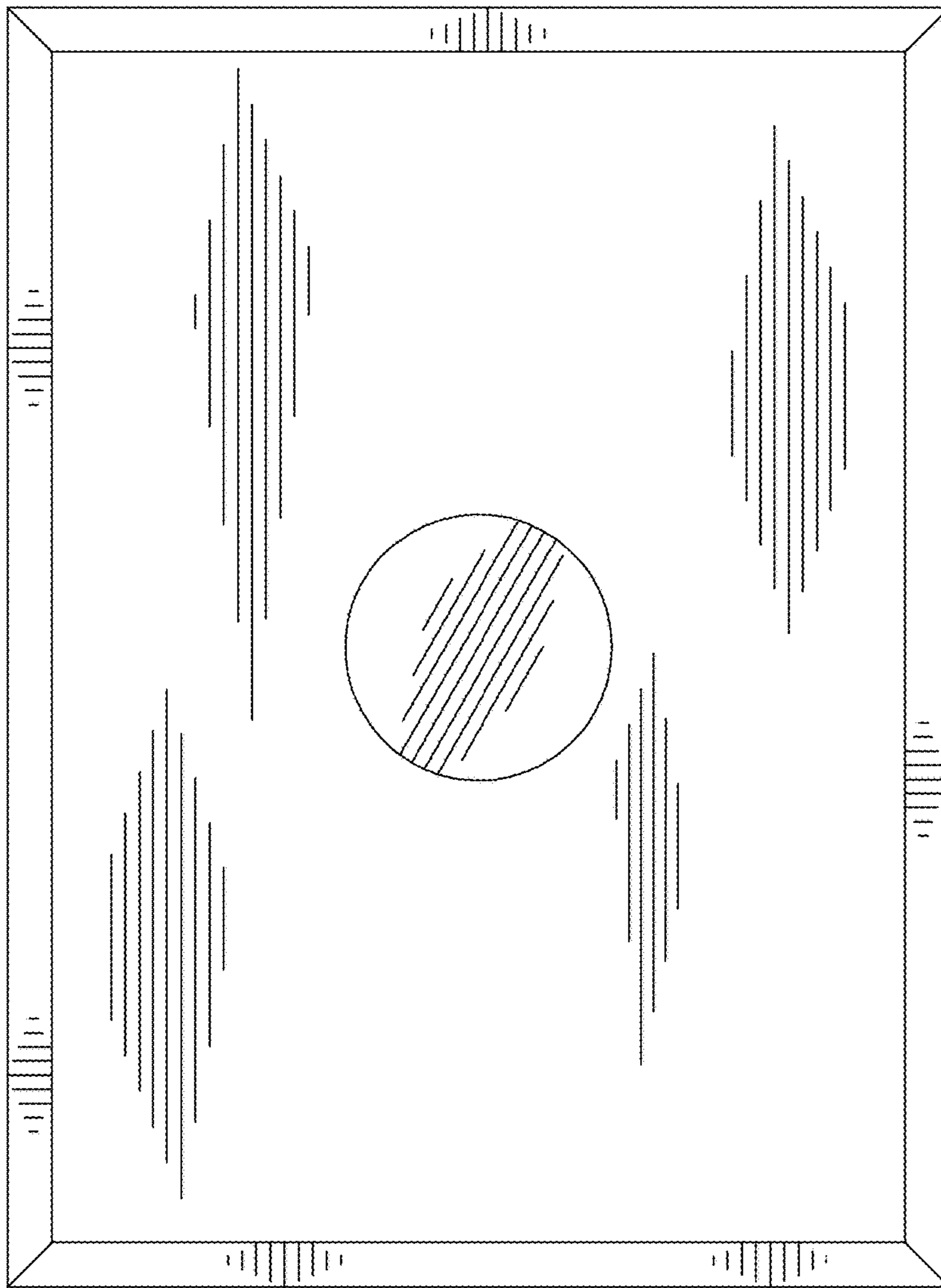


FIG 5

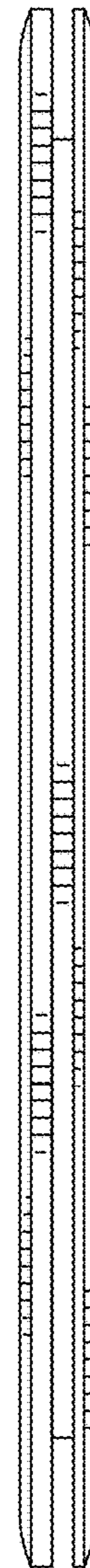


FIG 6

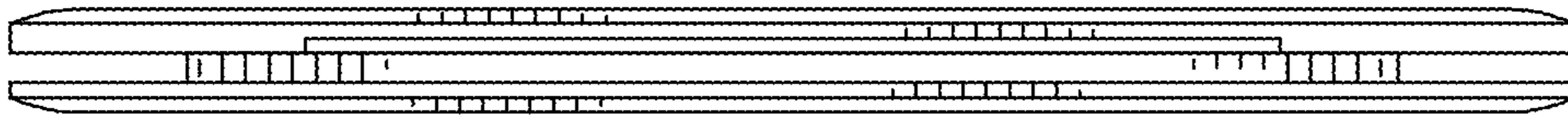


FIG 7



FIG 8