



US00D843724S

(12) **United States Design Patent**
Drendel

(10) **Patent No.:** **US D843,724 S**
(45) **Date of Patent:** **** Mar. 26, 2019**

- (54) **MODULAR STORAGE TRAY**
- (71) Applicant: **Darla Drendel**, Glendora, CA (US)
- (72) Inventor: **Darla Drendel**, Glendora, CA (US)
- (**) Term: **15 Years**
- (21) Appl. No.: **29/615,603**
- (22) Filed: **Aug. 30, 2017**
- (51) **LOC (11) Cl.** **03-01**
- (52) **U.S. Cl.**
USPC **D3/297**
- (58) **Field of Classification Search**
USPC ... D3/201, 203.1–203.2, 205, 215, 218–219,
D3/225–226, 230, 232, 239, 242, 243,
D3/245, 267, 273–276, 278, 280, 282,
D3/284, 285, 288, 289, 293–295, 299,
D3/300–305, 315, 318, 323, 328, 900,
D3/297; D9/433, 432, 760; D7/701,
D7/619.1, 629, 117.01, 117.04, 117.05,
D7/120.02, 120.06, 122, 27; 206/736,
206/745, 784, 525.1; 229/125.37, 9.2,
229/160, 166, 181, 190; 220/6
CPC B65D 11/1853; B65D 37/00; B65D 15/22;
B65D 19/06; B65D 2519/00124; B65D
2519/00641; B65D 2519/00711; B65D
25/04; B65D 5/36; B65D 5/6697; B65D
7/26; A45C 7/0077; B32B 2439/62; B32B
27/10
See application file for complete search history.

D443,762	S	*	6/2001	Park	D28/61
6,296,885	B1		10/2001	Robertson		
D493,303	S	*	7/2004	Perella	D6/671.1
D537,713	S	*	3/2007	Limber	D3/294
D599,589	S	*	9/2009	Cassel	D3/297
8,057,832	B2		11/2011	Forneck et al.		
D666,461	S		9/2012	Siegel		
D708,875	S	*	7/2014	McNamara	D6/705
8,784,917	B2		7/2014	Sebban		
8,887,918	B2		11/2014	Parsons		
8,912,474	B2		12/2014	Parsons		
D773,187	S	*	12/2016	Valks	D3/295
D789,785	S	*	6/2017	Fujiwara	D9/424
D802,928	S	*	11/2017	Serimian	D3/313
2005/0051549	A1		3/2005	Nelson		
2009/0142455	A1		6/2009	Parsons		
2017/0043907	A1	*	2/2017	Drendel	B65D 25/04

* cited by examiner

Primary Examiner — Anhdao Doan
Assistant Examiner — Mary Shannon Malley

(57) **CLAIM**

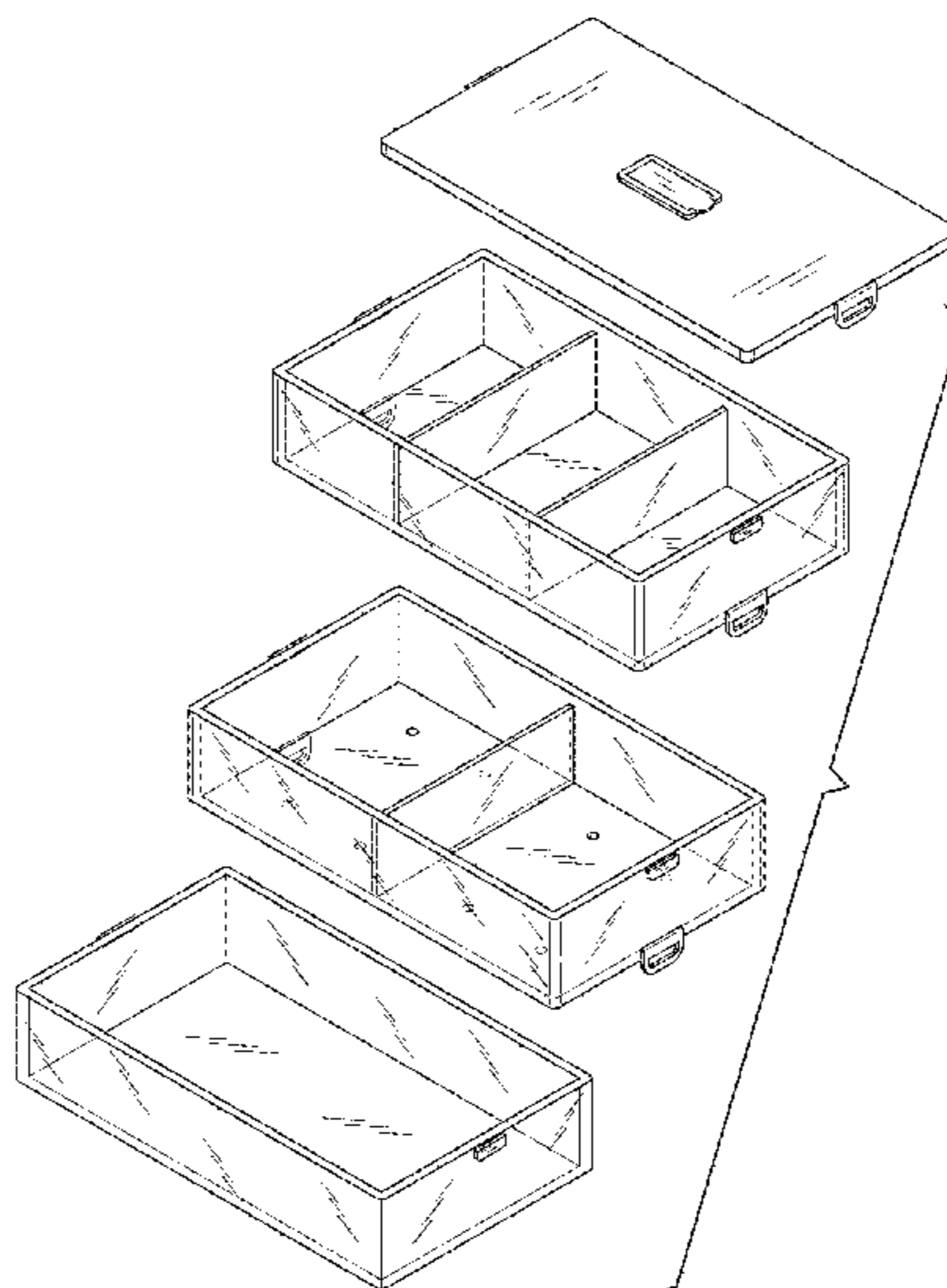
The ornamental design for a modular storage tray, as shown and described.

DESCRIPTION

FIG. 1 is an exploded front view of a modular storage tray showing my new design, a rear view being a mirror image thereof;
 FIG. 2 is an exploded left side view of the modular storage tray;
 FIG. 3 is an exploded right side view of the modular storage tray;
 FIG. 4 is an exploded top view of the modular storage tray;
 FIG. 5 is an exploded bottom view of the modular storage tray; and,
 FIG. 6 is an exploded top front side perspective view of the modular storage tray.

1 Claim, 6 Drawing Sheets

- (56) **References Cited**
U.S. PATENT DOCUMENTS
5,049,710 A 9/1991 Prorise et al.
D345,081 S 3/1994 Adami et al.
D365,224 S * 12/1995 Pohlman D6/671.1



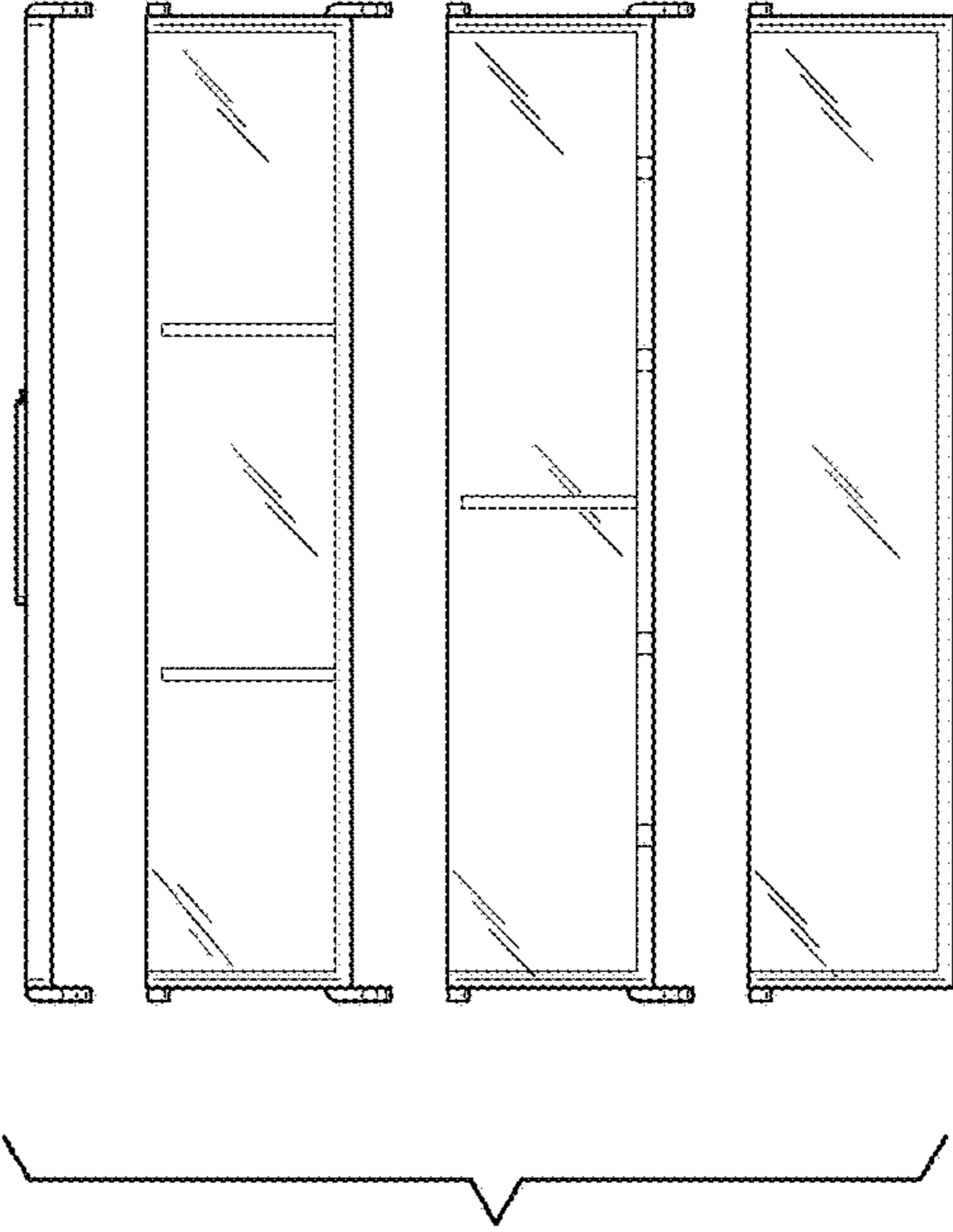


FIG. 1

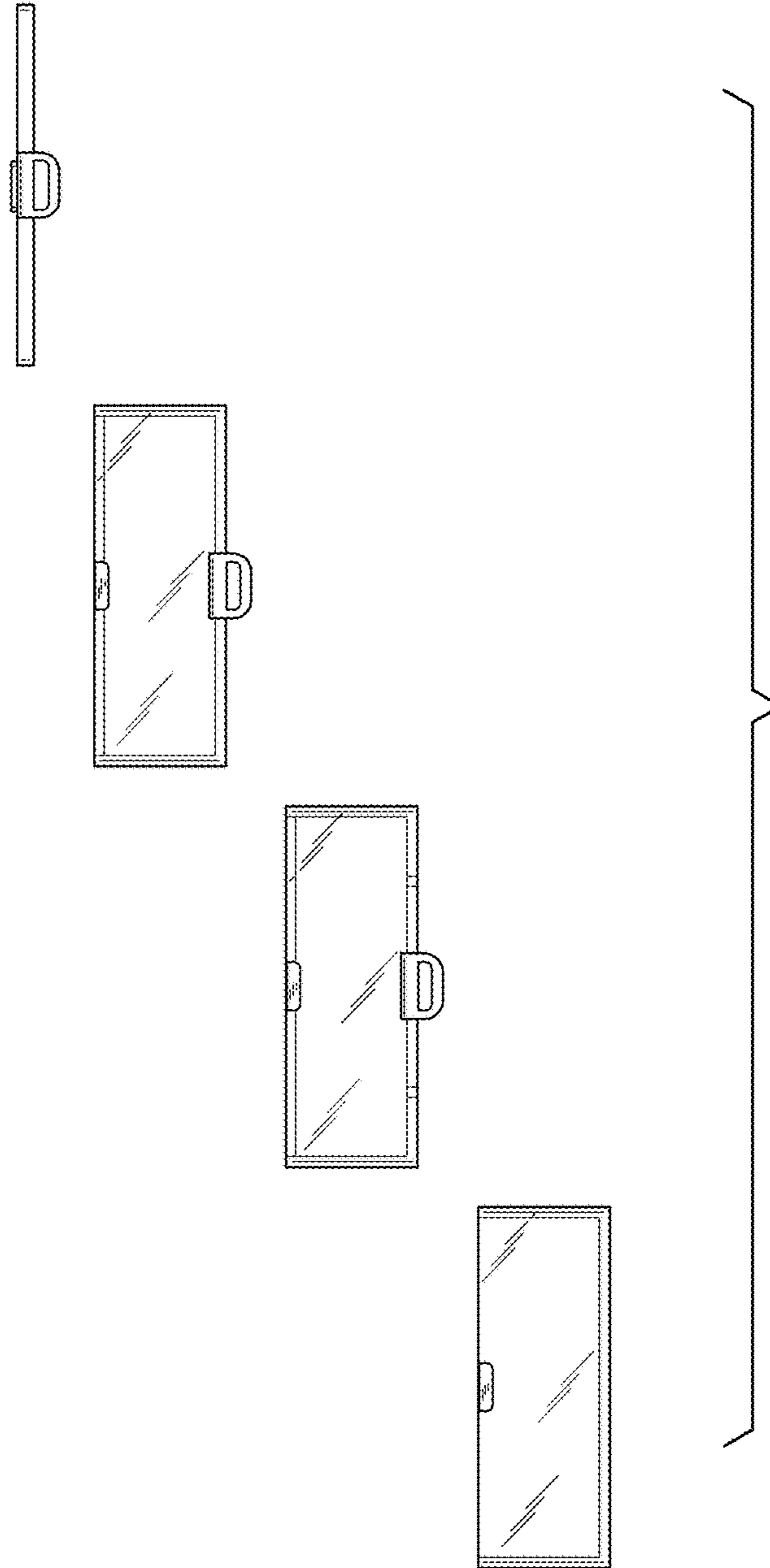


FIG. 2

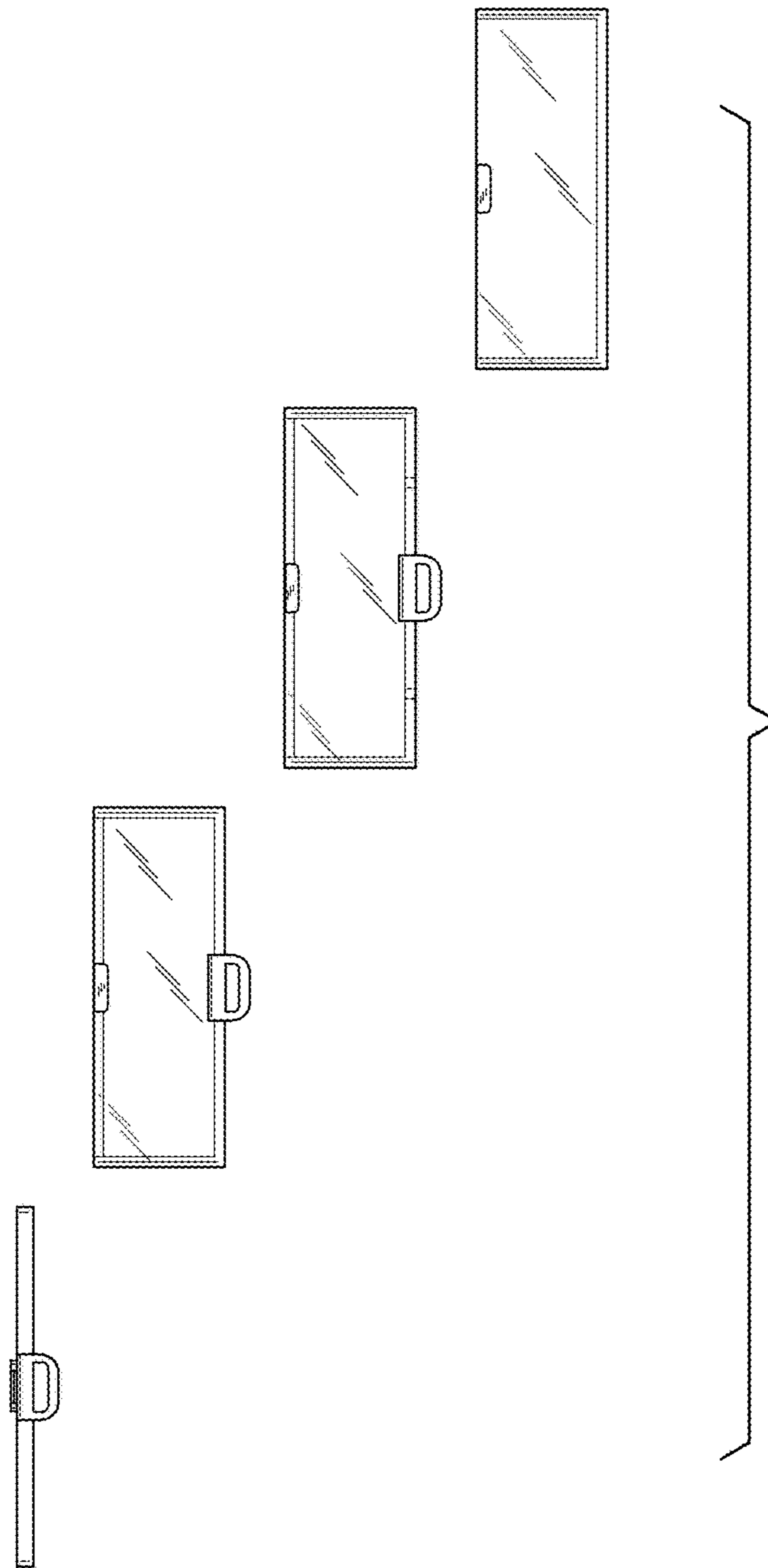


FIG. 3

FIG. 4

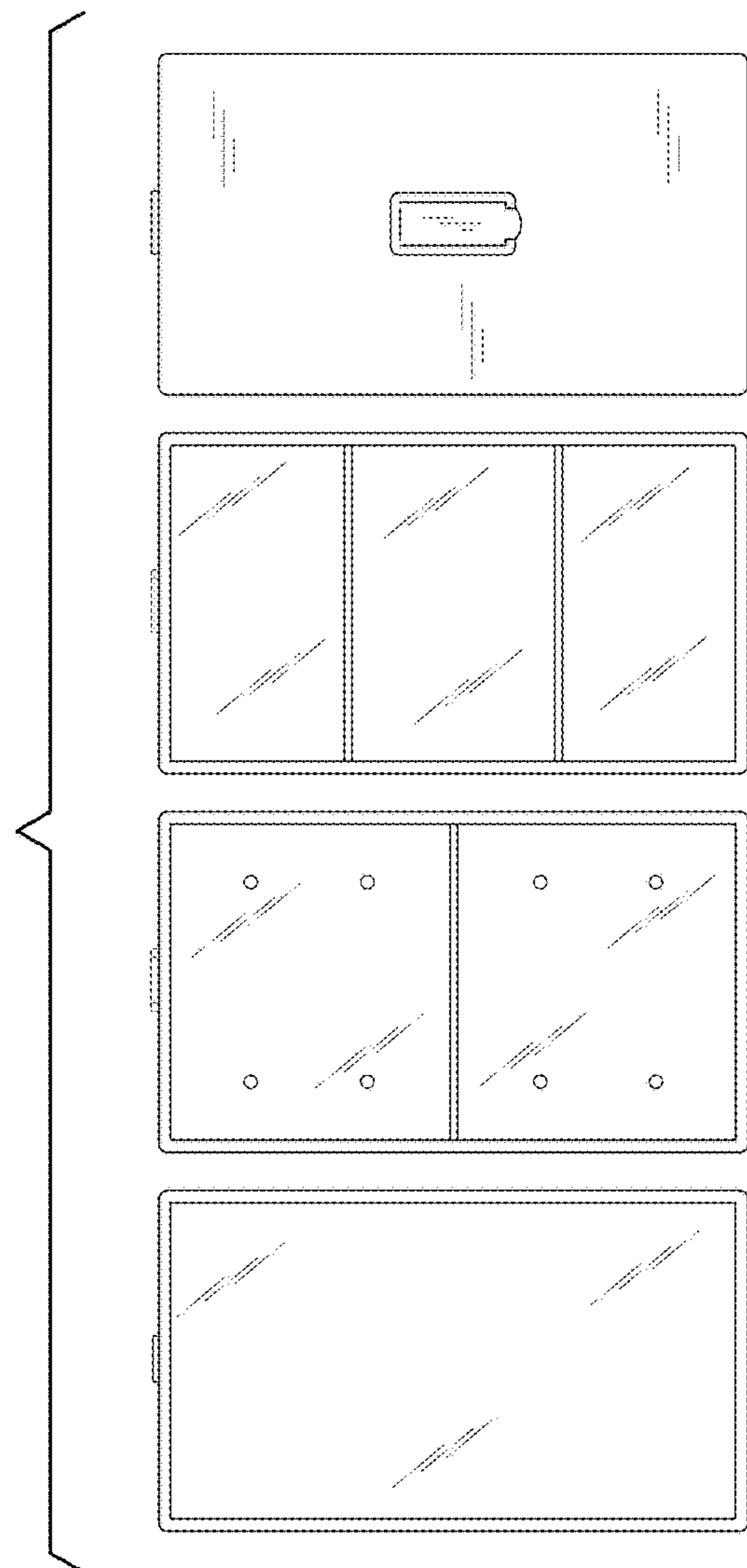
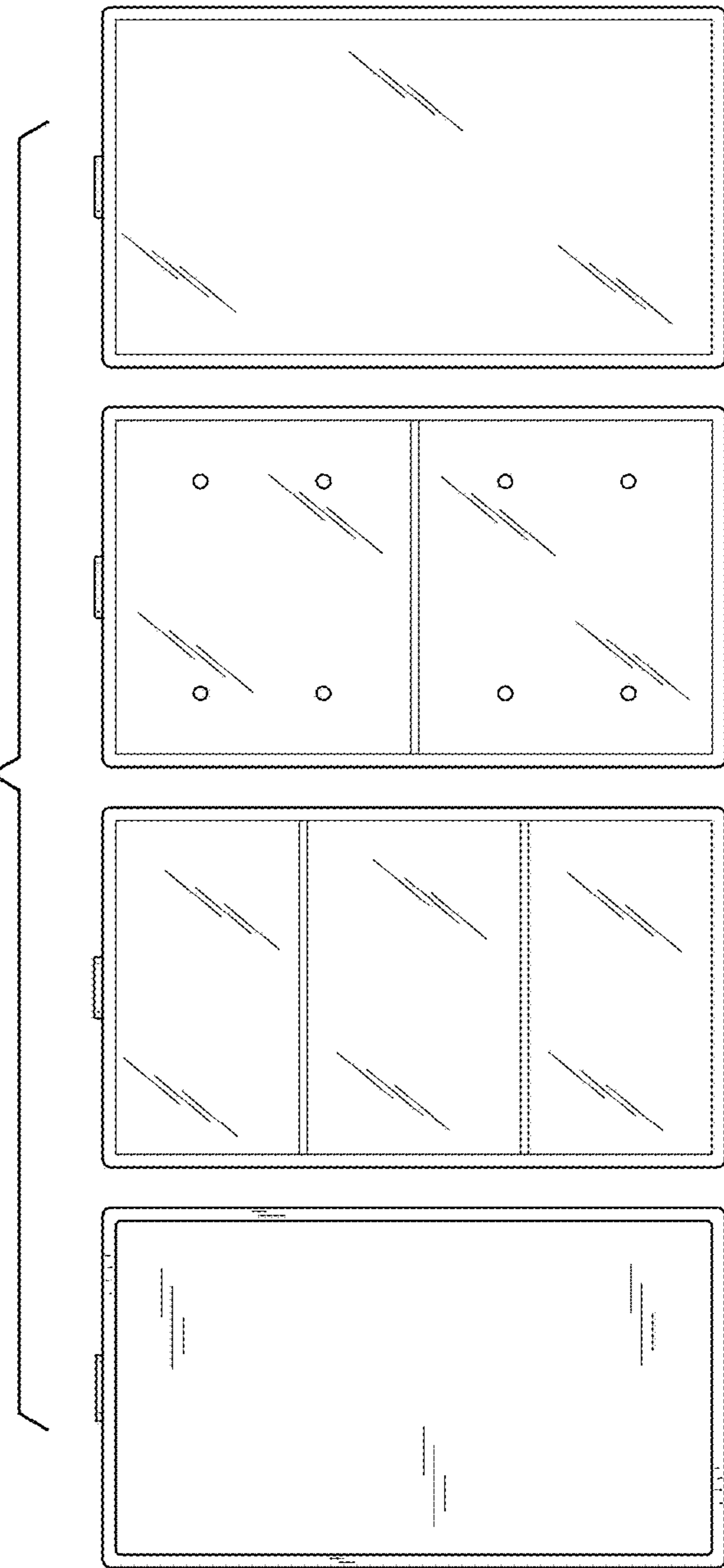


FIG. 5



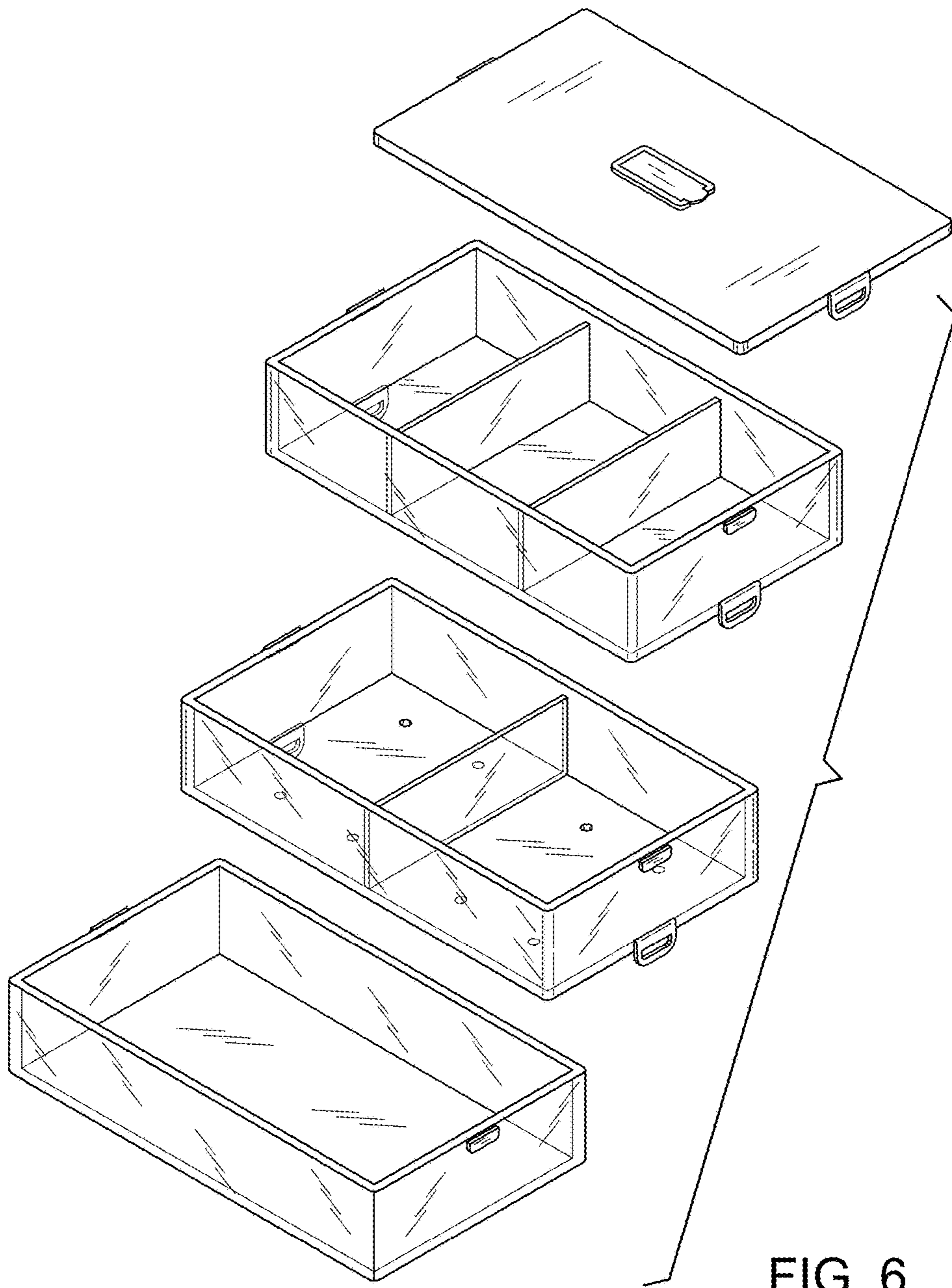


FIG. 6