



US00D843723S

(12) **United States Design Patent** (10) **Patent No.:** **US D843,723 S**
Pap (45) **Date of Patent:** **** Mar. 26, 2019**

(54) **SOLAR CHARGING ORGANIZER**

(71) Applicant: **Arpad Pap**, Little Falls, NJ (US)

(72) Inventor: **Arpad Pap**, Little Falls, NJ (US)

(**) Term: **15 Years**

(21) Appl. No.: **29/601,846**

(22) Filed: **Apr. 26, 2017**

(51) **LOC (11) Cl.** **03-01**

(52) **U.S. Cl.**

USPC **D3/285**; D3/287; D19/27

(58) **Field of Classification Search**

USPC D3/203.1, 203.6, 226, 227, 232, 246,
D3/247, 249, 251, 254, 273, 276, 285,
D3/289, 301, 901, 903, 287; D19/27

CPC A45C 3/02; A45C 15/00; B42F 13/0006

See application file for complete search history.

(56) **References Cited**

U.S. PATENT DOCUMENTS

D382,166 S * 8/1997 Alves D3/301
D433,444 S * 11/2000 Eskandry D19/26
D434,439 S * 11/2000 Coleman D19/27
D435,863 S * 1/2001 Eskandry D19/27

(Continued)

OTHER PUBLICATIONS

DHGate, "14W USB Portable Solar Charger . . . ", Accessed Oct. 25, 2018. (<https://www.dhgate.com/product/14w-usb-portable-solar-charger-for-mobile/378008017.html>) (Year: 2018).*

(Continued)

Primary Examiner — Jennifer Rivard

Assistant Examiner — April Rivas

(74) *Attorney, Agent, or Firm* — F. Chau & Associates, LLC

(57) **CLAIM**

The ornamental design for a solar charging organizer, as shown and described.

DESCRIPTION

FIG. 1 is a front perspective view of a solar charging organizer showing our new design including a shoulder strap, wherein the solar charging organizer is in a closed configuration;

FIG. 2 is a rear perspective view thereof, including a shoulder strap, wherein the solar charging organizer is in a closed configuration;

FIG. 3 is a front perspective view thereof, without a shoulder strap, wherein the solar charging organizer is in an open configuration;

FIG. 4 is a rear perspective view thereof, without a shoulder strap, wherein the solar charging organizer is in an open configuration;

FIG. 5 is a front plan view thereof, without a shoulder strap, wherein the solar charging organizer is in an open configuration;

FIG. 6 is a rear plan view thereof, without a shoulder strap, wherein the solar charging organizer is in an open configuration;

FIG. 7 is a top plan thereof, without a shoulder strap, wherein the solar charging organizer is in an open configuration;

FIG. 8 is a right plan view thereof, without a shoulder strap, wherein the solar charging organizer is in an open configuration;

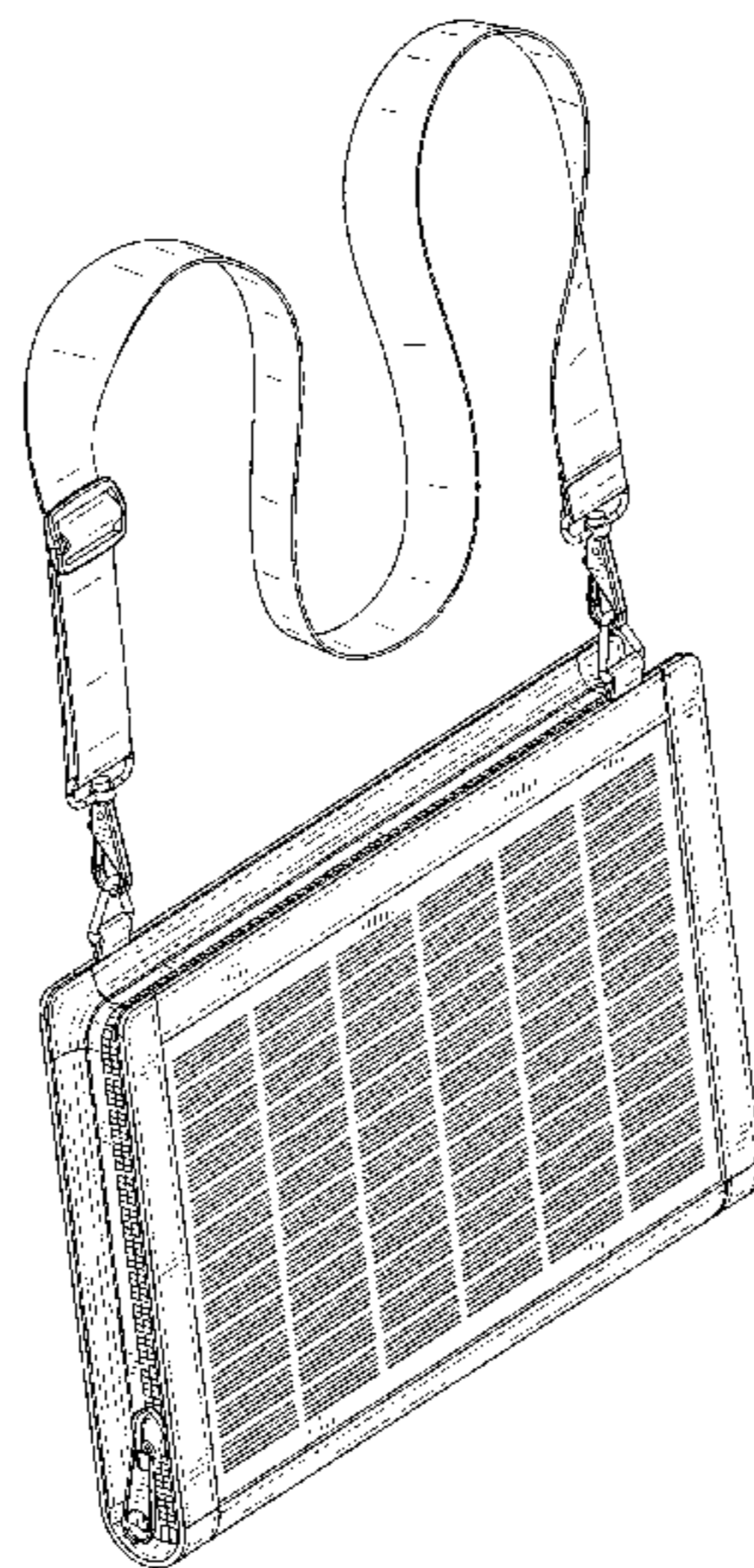
FIG. 9 is a front perspective view thereof, with a shoulder strap, wherein the solar charging organizer is in an open configuration; and,

FIG. 10 is a front elevation view thereof, with a shoulder strap, wherein the solar charging organizer is in an open configuration.

The strap is shown removed from the bag for convenience of illustration only.

The broken lines illustrate stitching and form no part of the claimed design.

1 Claim, 9 Drawing Sheets



(56)

References Cited

U.S. PATENT DOCUMENTS

D497,051 S * 10/2004 Nieves D3/301
D593,317 S * 6/2009 Yao D3/203.6
8,432,124 B2 * 4/2013 Foster A45C 11/00
320/101
D687,376 S * 8/2013 Farris-Gilbert D13/108
8,674,211 B1 * 3/2014 Palmer H02S 30/20
136/244
D749,319 S * 2/2016 Wright D3/232
D772,568 S * 11/2016 Tappeiner D3/247
D795,580 S * 8/2017 Grimmer D3/299
2005/0140331 A1 * 6/2005 McQuade A45C 15/00
320/101

OTHER PUBLICATIONS

Engadget, "Dunhill's Avorities Solar Panel Bag: so good it doesn't need specs", posted May 30, 2007. (<https://www.engadget.com/2007/05/30/dunhills-avorities-solar-panel-bag-so-good-it-doesnt-need-spe/>) (Year: 2007).*

Powerstick, "Powerbinder", First cached on wayback machine Feb. 21, 2015. (<https://powerstick.com/main/powerbinder/>) (Year: 2015).*

* cited by examiner

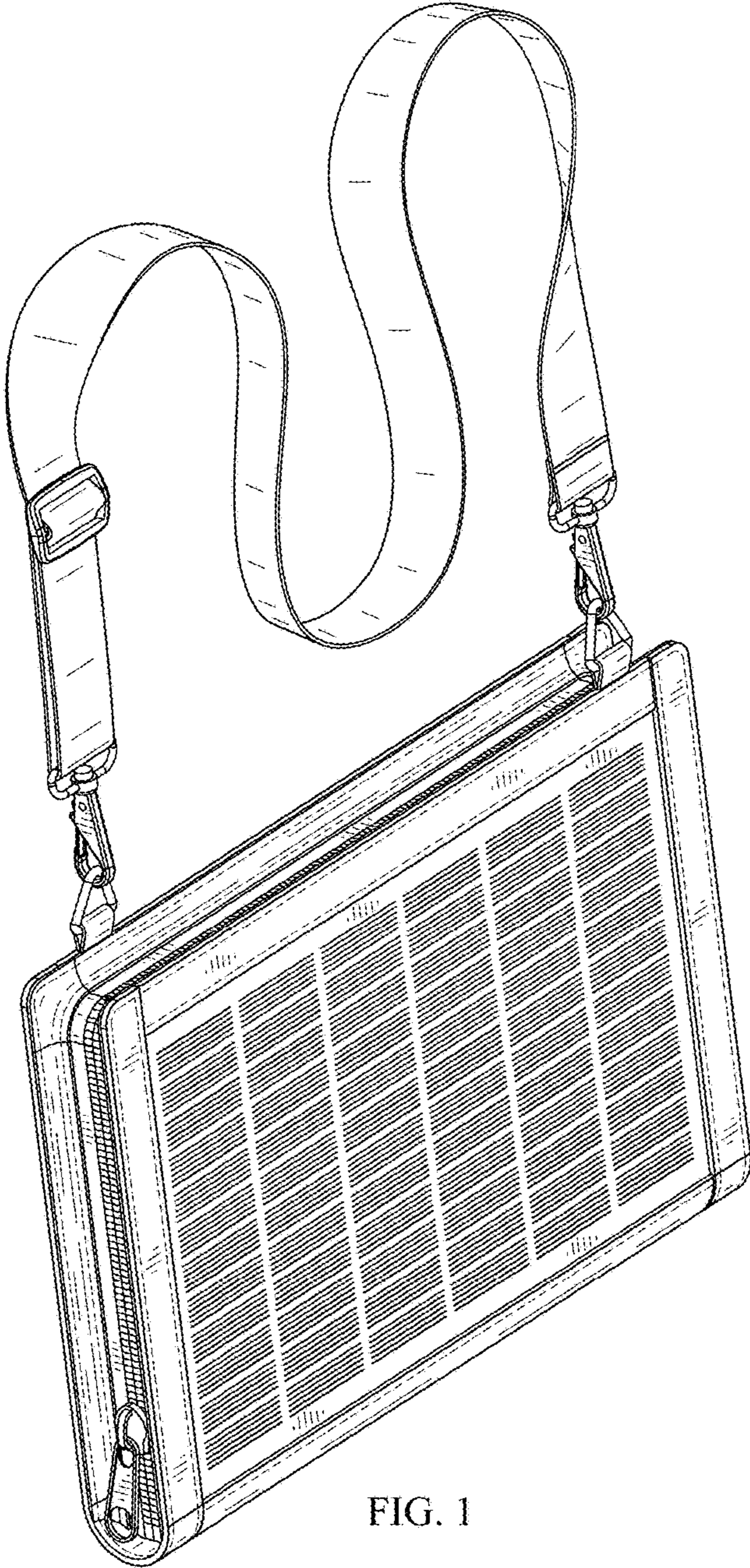


FIG. 1

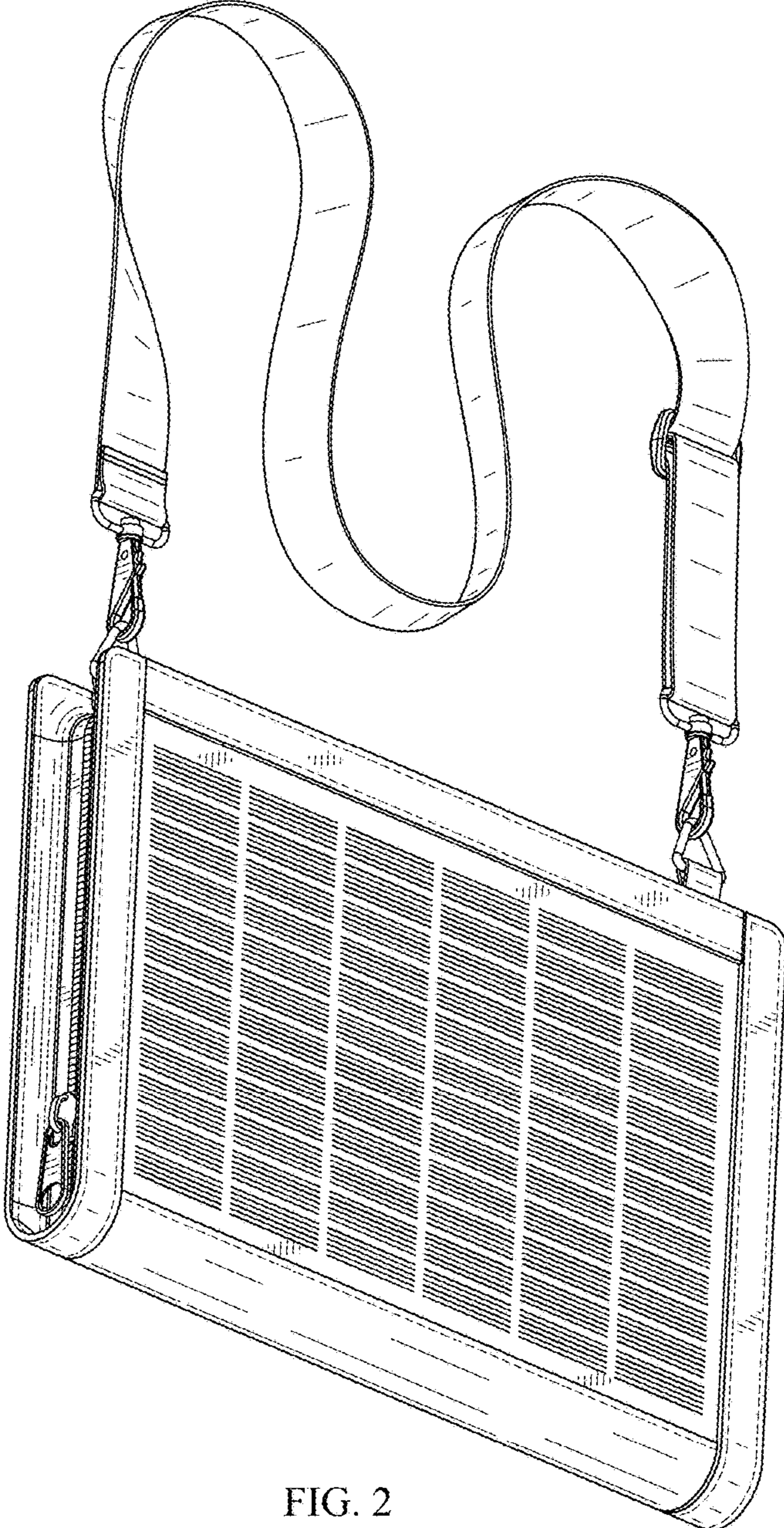


FIG. 2

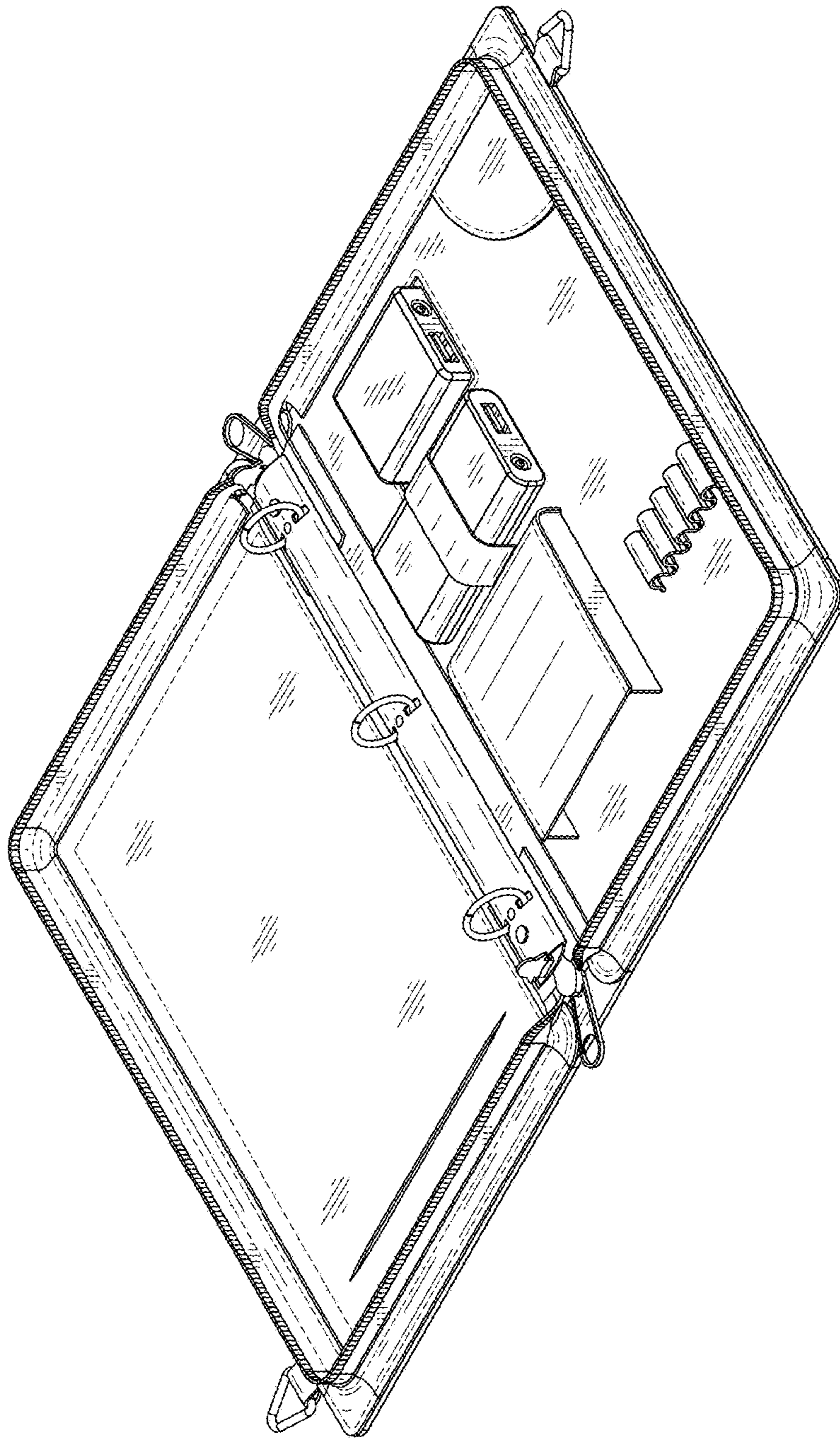


FIG. 3

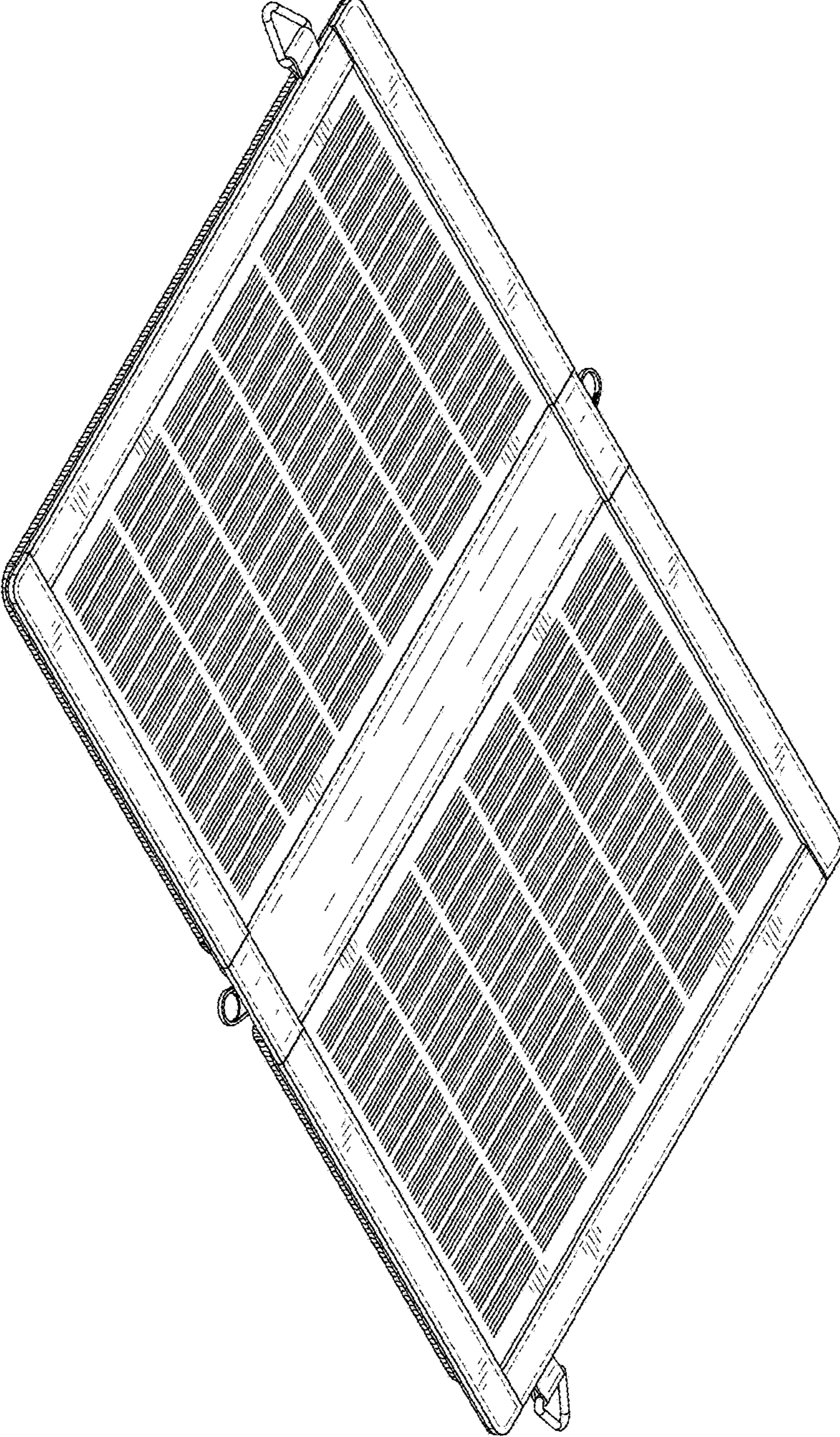


FIG. 4

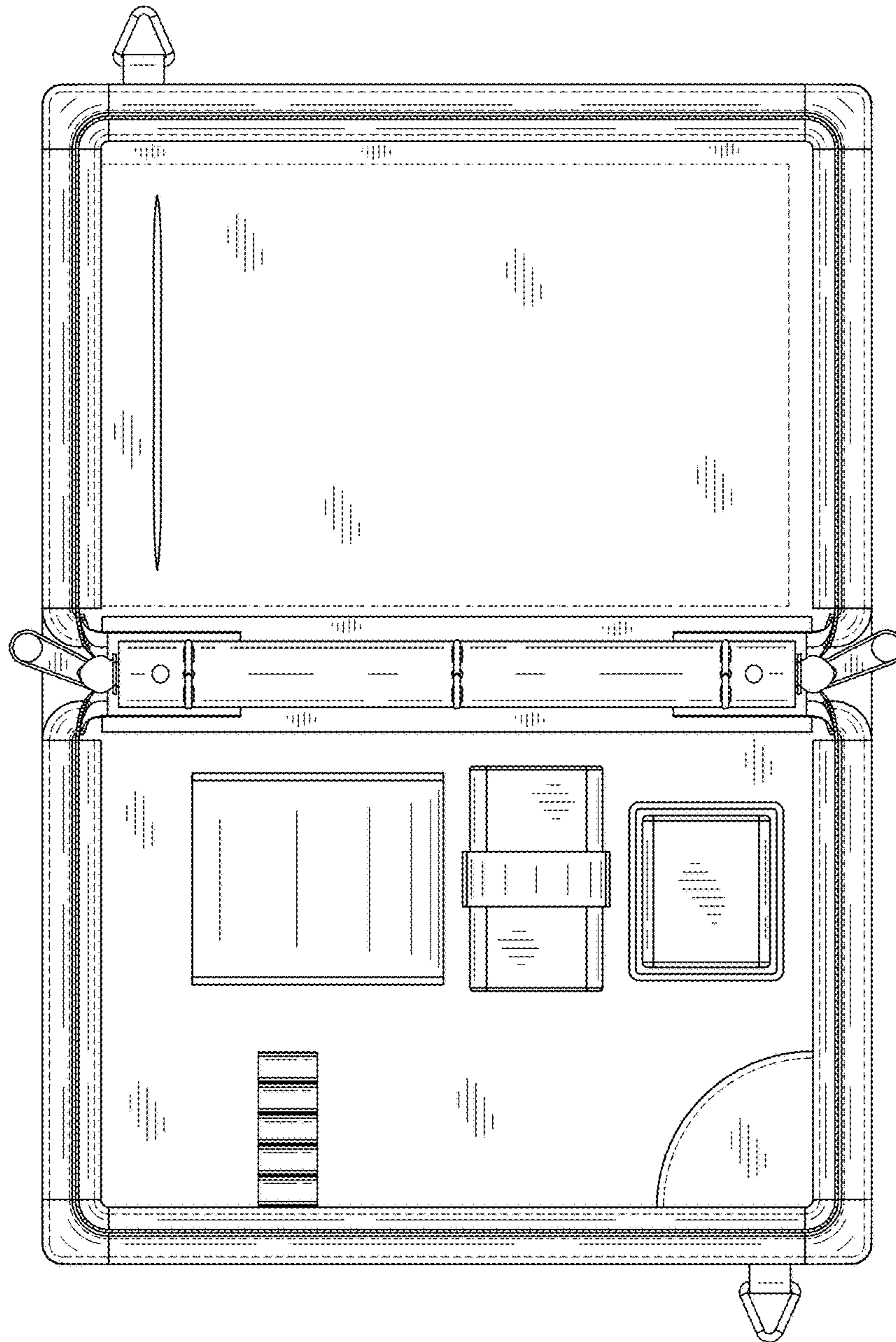


FIG. 5

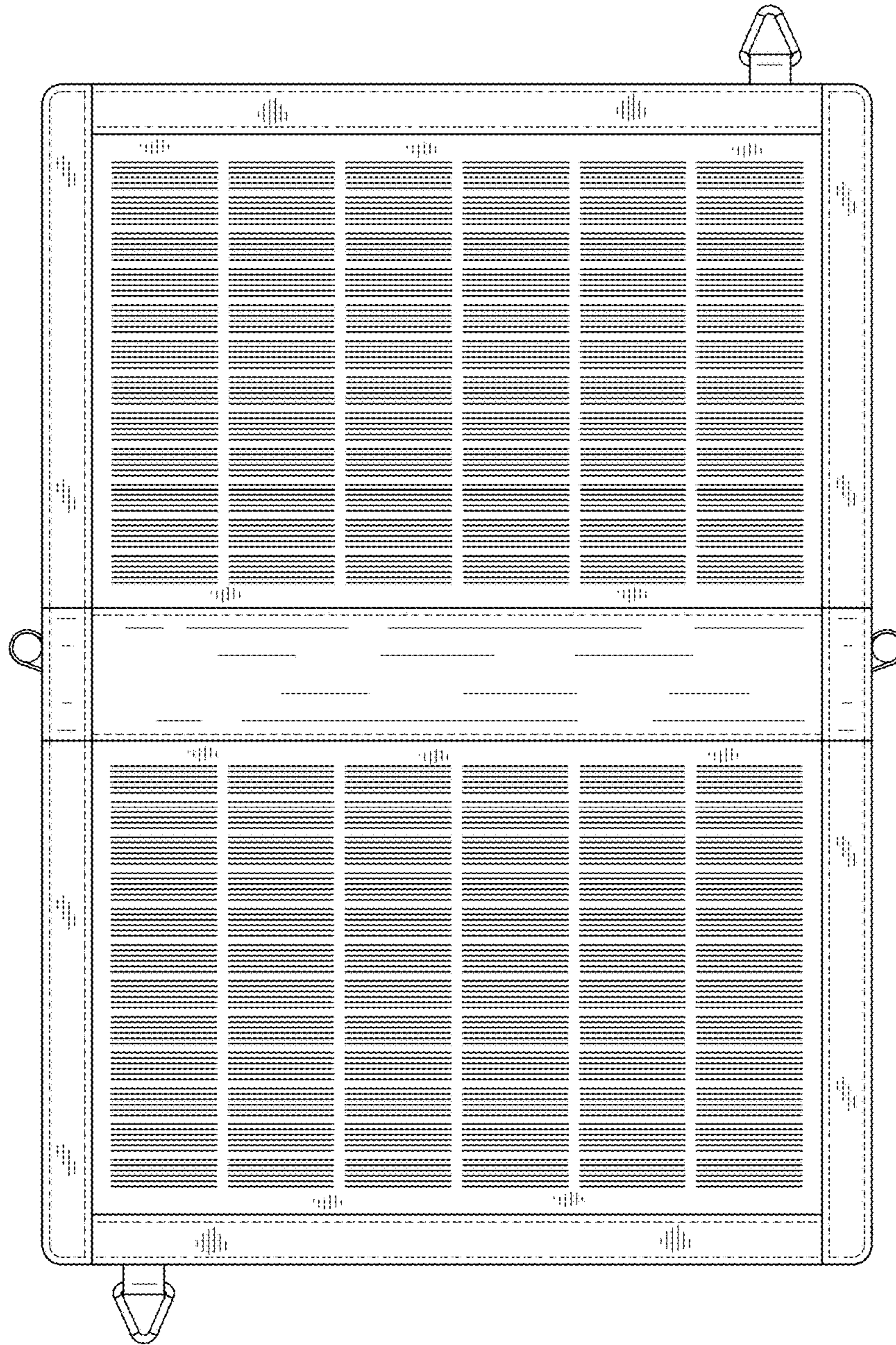


FIG. 6

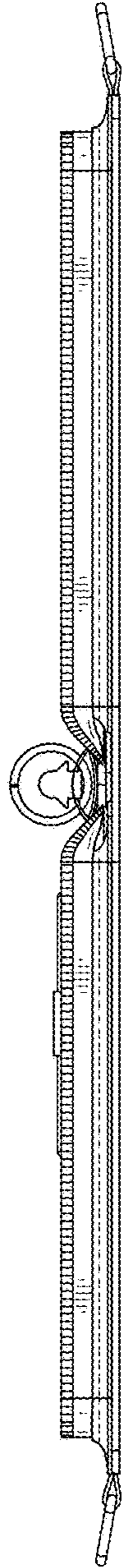


FIG. 7

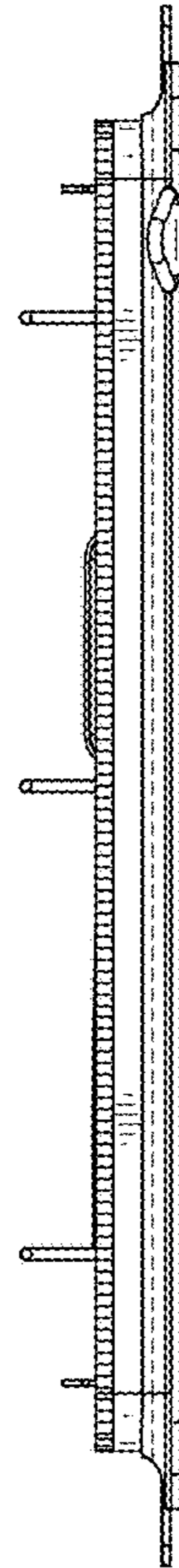


FIG. 8

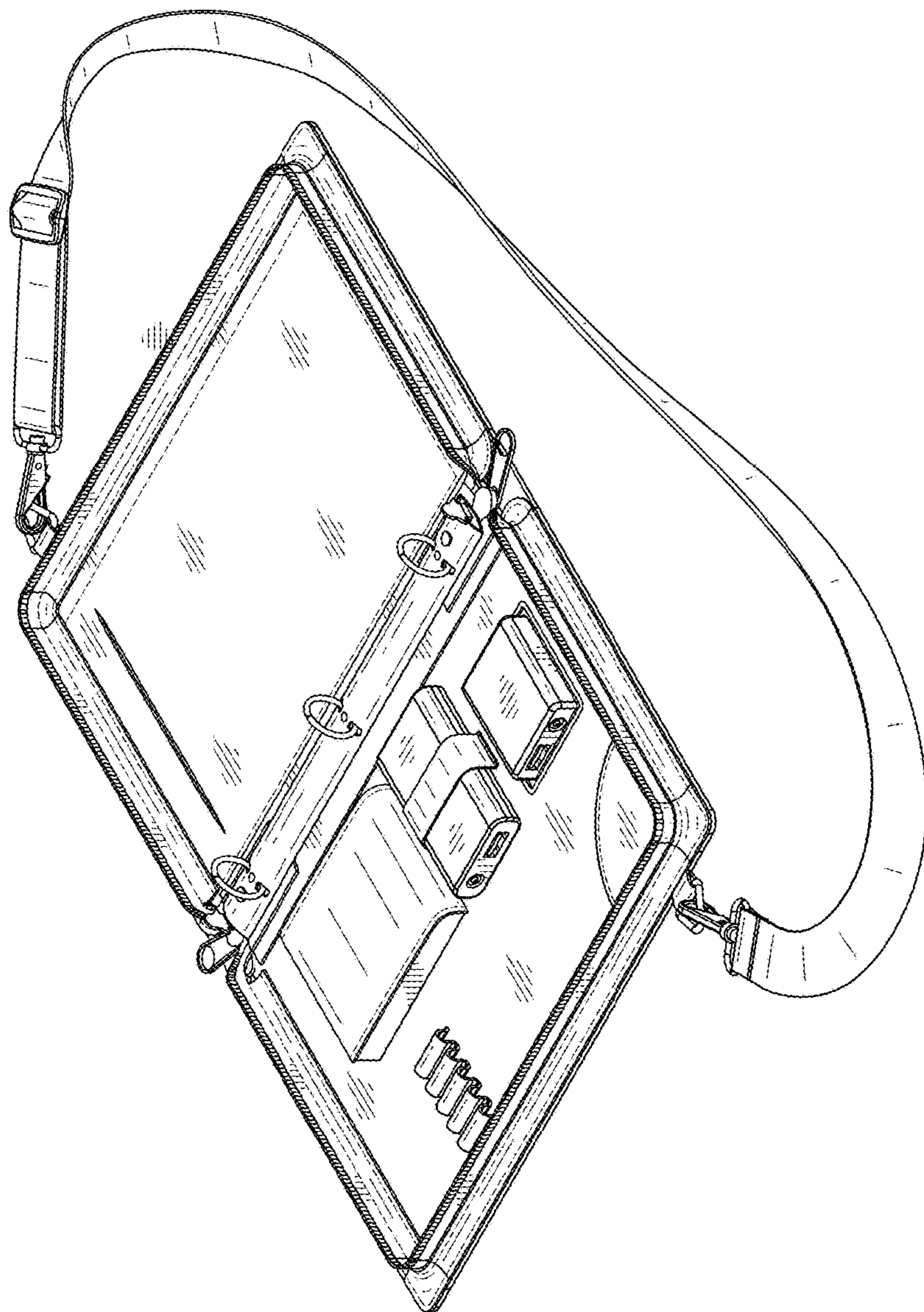


FIG. 9

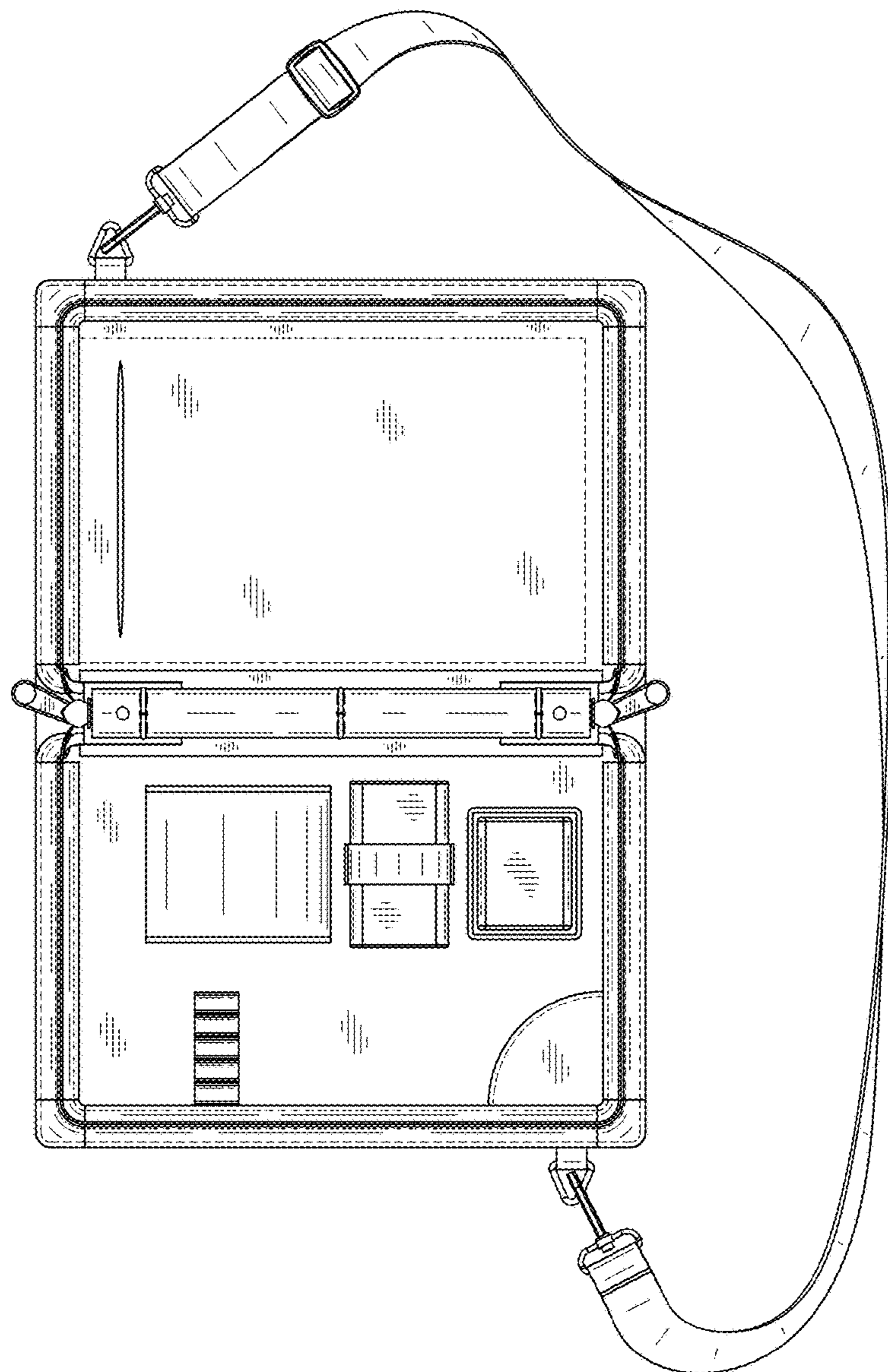


FIG. 10