



US00D843721S

(12) **United States Design Patent**
Yuan

(10) **Patent No.:** **US D843,721 S**
(45) **Date of Patent:** **** Mar. 26, 2019**

(54) **COMBINATION EARPHONES AND CASING**

(71) Applicant: **Haiyan Yuan**, Shenzhen (CN)

(72) Inventor: **Haiyan Yuan**, Shenzhen (CN)

(**) Term: **15 Years**

(21) Appl. No.: **29/599,099**

(22) Filed: **Mar. 31, 2017**

(51) **LOC (11) Cl.** **03-01**

(52) **U.S. Cl.**
USPC **D3/274; D3/302; D14/233**

(58) **Field of Classification Search**
USPC D3/203.2, 203.3, 203.6, 273, 279, 276,
D3/284, 294, 302, 905, 274, 281, 282,
D3/283, 295, 321; D9/516, 521, 523,
D9/549, 565, 571, 424, 449; D28/73, 76,
D28/78; D14/233, 205

(Continued)

(56) **References Cited**

U.S. PATENT DOCUMENTS

D141,980 S * 8/1945 Holland et al. D3/274
D245,818 S * 9/1977 Persson 224/240

(Continued)

OTHER PUBLICATIONS

Wirecutter, "The Best True Wireless Headphones So Far", posted
Mar. 27, 2018. (<https://thewirecutter.com/reviews/best-true-wireless-headphones/>).*

(Continued)

Primary Examiner — Jennifer Rivard

Assistant Examiner — April Rivas

(74) *Attorney, Agent, or Firm* — Prakash Nama; Global
IP Services, PLLC

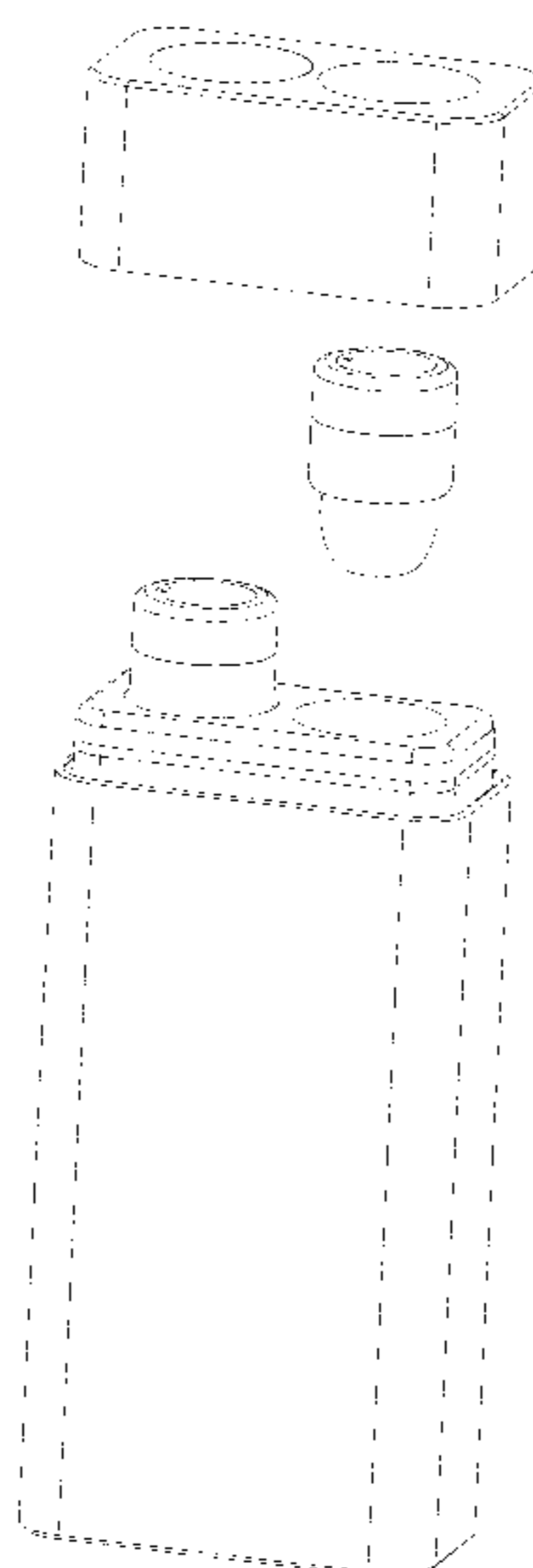
(57) **CLAIM**

The ornamental design for a combination earphones and casing, as shown and described.

DESCRIPTION

FIG. 1 is a front elevational view of a combination earphones and casing showing my new design;
FIG. 2 is a rear elevational view thereof;
FIG. 3 is a left side view thereof;
FIG. 4 is a right side view thereof;
FIG. 5 is a top plan view thereof;
FIG. 6 is a bottom plan view thereof;
FIG. 7 is a bottom perspective view thereof;
FIG. 8 is a top perspective view thereof;
FIG. 9 is a front elevational view of the casing opened showing one earphone of the pair of earphones inserted into the casing and another earphone of the pair of earphones not inserted into the casing;
FIG. 10 is a rear elevational view thereof;
FIG. 11 is a left side view thereof;
FIG. 12 is a right side view thereof;
FIG. 13 is a top plan view thereof;
FIG. 14 is a bottom plan view thereof;
FIG. 15 is a top perspective view thereof;
FIG. 16 is a bottom perspective view thereof;
FIG. 17 is a front elevational view of one earphone of the pair of earphones, shown in an enlarged scale; another earphone of the pair of earphones is identical to the earphone shown in this figure;
FIG. 18 is a rear elevational view thereof;
FIG. 19 is a left side view thereof;
FIG. 20 is a right side view thereof;
FIG. 21 is a reduced top plan view thereof;
FIG. 22 is a bottom plan view thereof;
FIG. 23 is a bottom perspective view thereof; and,
FIG. 24 is a top perspective view thereof.
The broken lines illustrate portions of the combination earphones and casing and form no part of the claimed design. FIGS. 17-24 are shown separately for convenience of illustration only.

1 Claim, 22 Drawing Sheets



(58) **Field of Classification Search**

CPC A45C 5/00; A45C 13/29; A45C 2011/001;
A45C 13/005; A61C 15/043

See application file for complete search history.

(56) **References Cited**

U.S. PATENT DOCUMENTS

D269,361	S	*	6/1983	Marschak	D3/302
D291,947	S	*	9/1987	Nakata	D19/85
D301,771	S	*	6/1989	Bakic	D28/76
D306,094	S	*	2/1990	Carmichael	D3/205
D306,220	S	*	2/1990	Wang	D28/86
D306,519	S	*	3/1990	Nakata	D3/206
D421,840	S	*	3/2000	Demore	D3/273
D446,825	S	*	8/2001	Gabrielsen	D21/385
D493,617	S	*	8/2004	Armato	D3/294
D516,809	S	*	3/2006	Tagliati	D3/273
D580,854	S	*	11/2008	Kim	D13/108
D630,941	S	*	1/2011	Paredes	D9/430
D682,678	S	*	5/2013	Kim	D9/431
D706,643	S	*	6/2014	Akana	D9/432
D775,070	S	*	12/2016	Lei	D13/107

OTHER PUBLICATIONS

Savfy, "Savfy Mini Wireless Bluetooth 4.1 In-Ear Earbuds With Portable Charging Case", First reviewed Mar. 14, 2017. (<https://www.savfyshop.com/Bluetooth-Headset/SAVFY-Mini-Wireless-Bluetooth-Earbuds>).*

Amazon, "Rowkin Micro: True Wireless Earbuds w/ Charging Case . . . ", First reviewed Oct. 14, 2017. (<https://www.amazon.com/dp/B074JM7D6S>).*

* cited by examiner

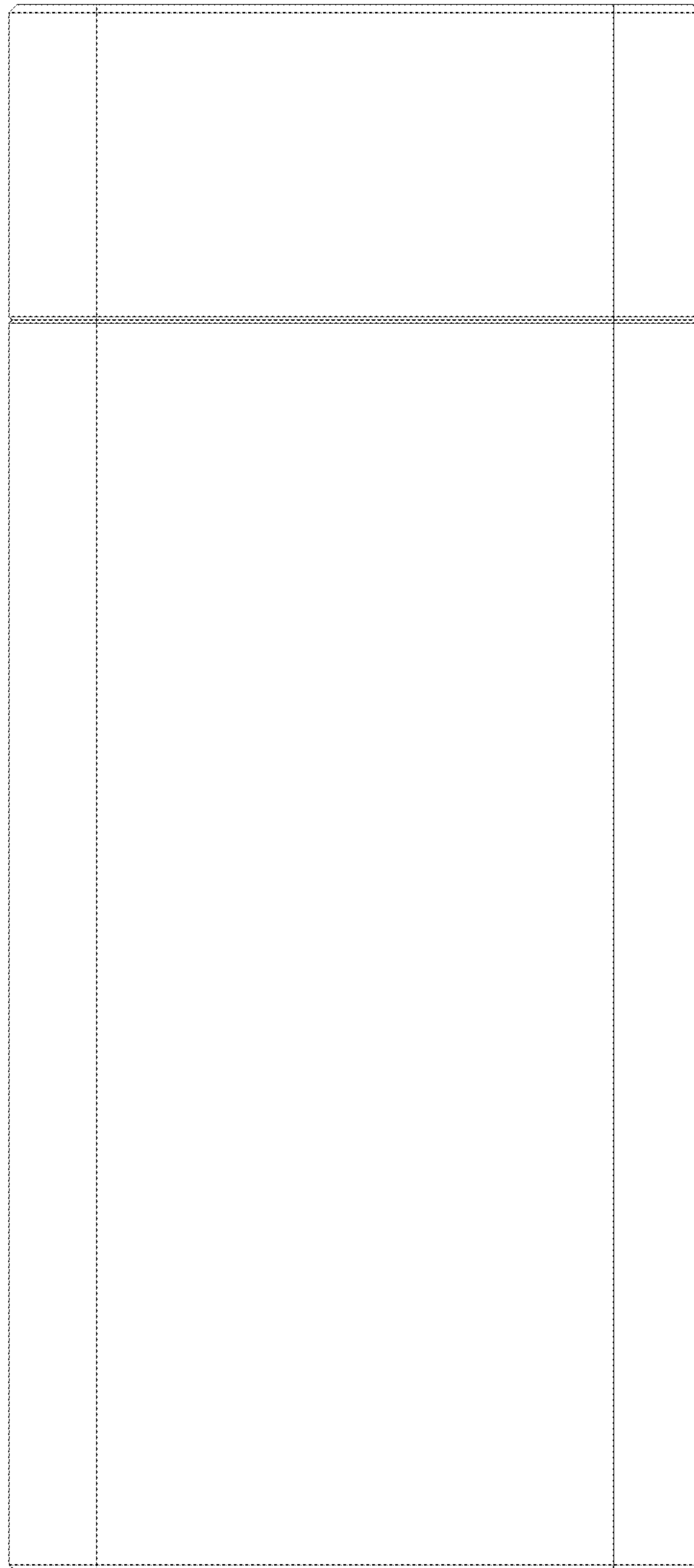


FIG. 1

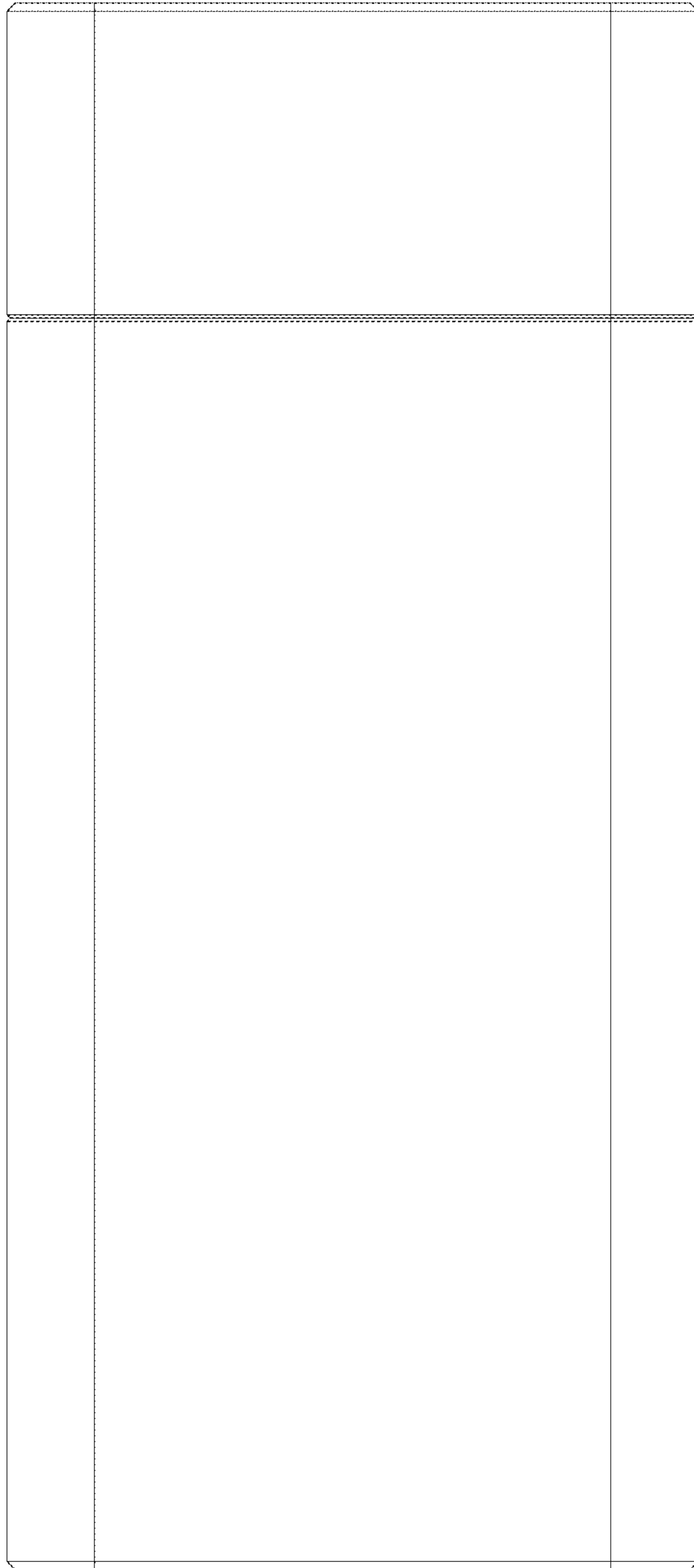


FIG. 2

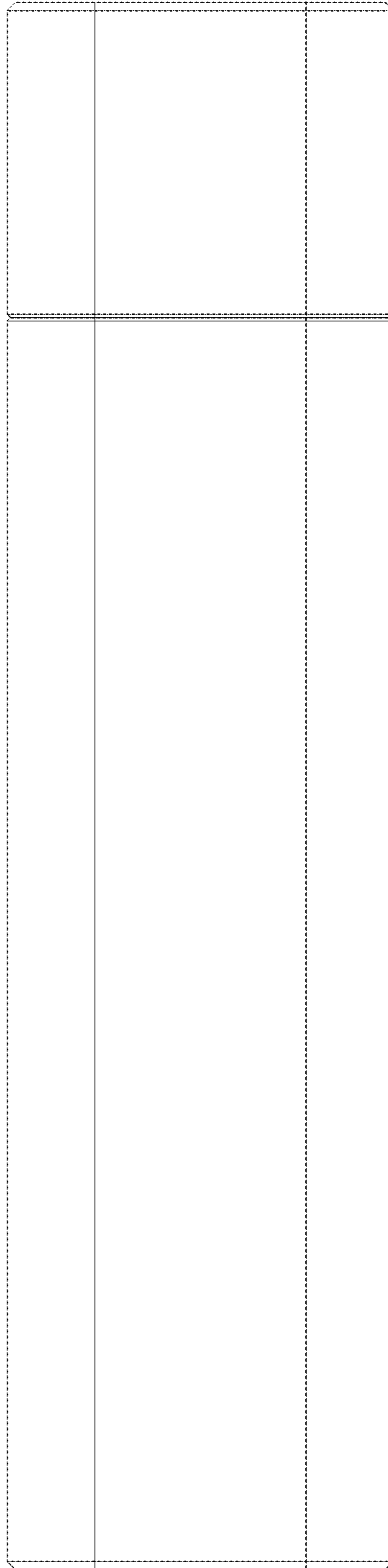


FIG. 3

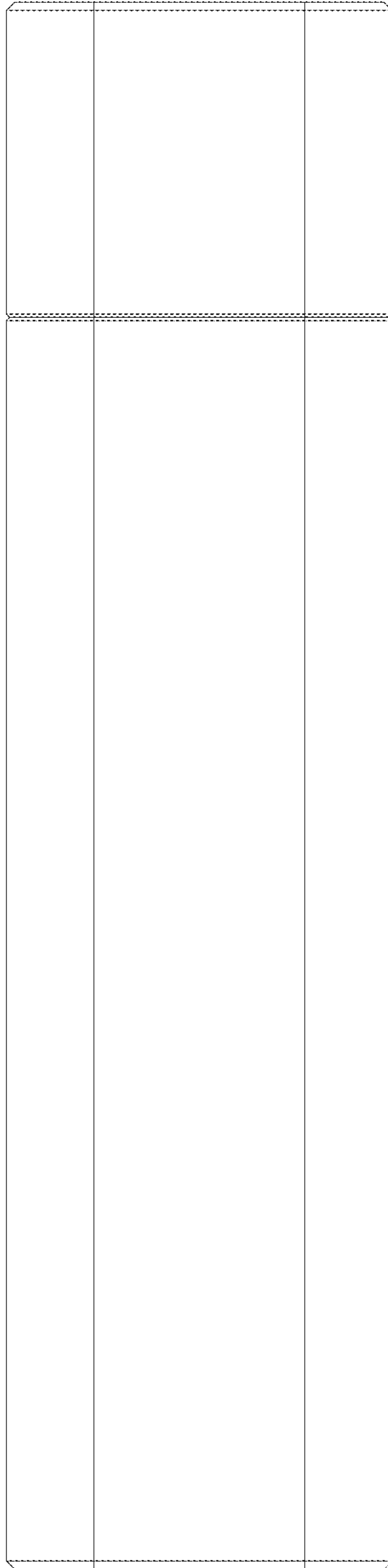


FIG. 4

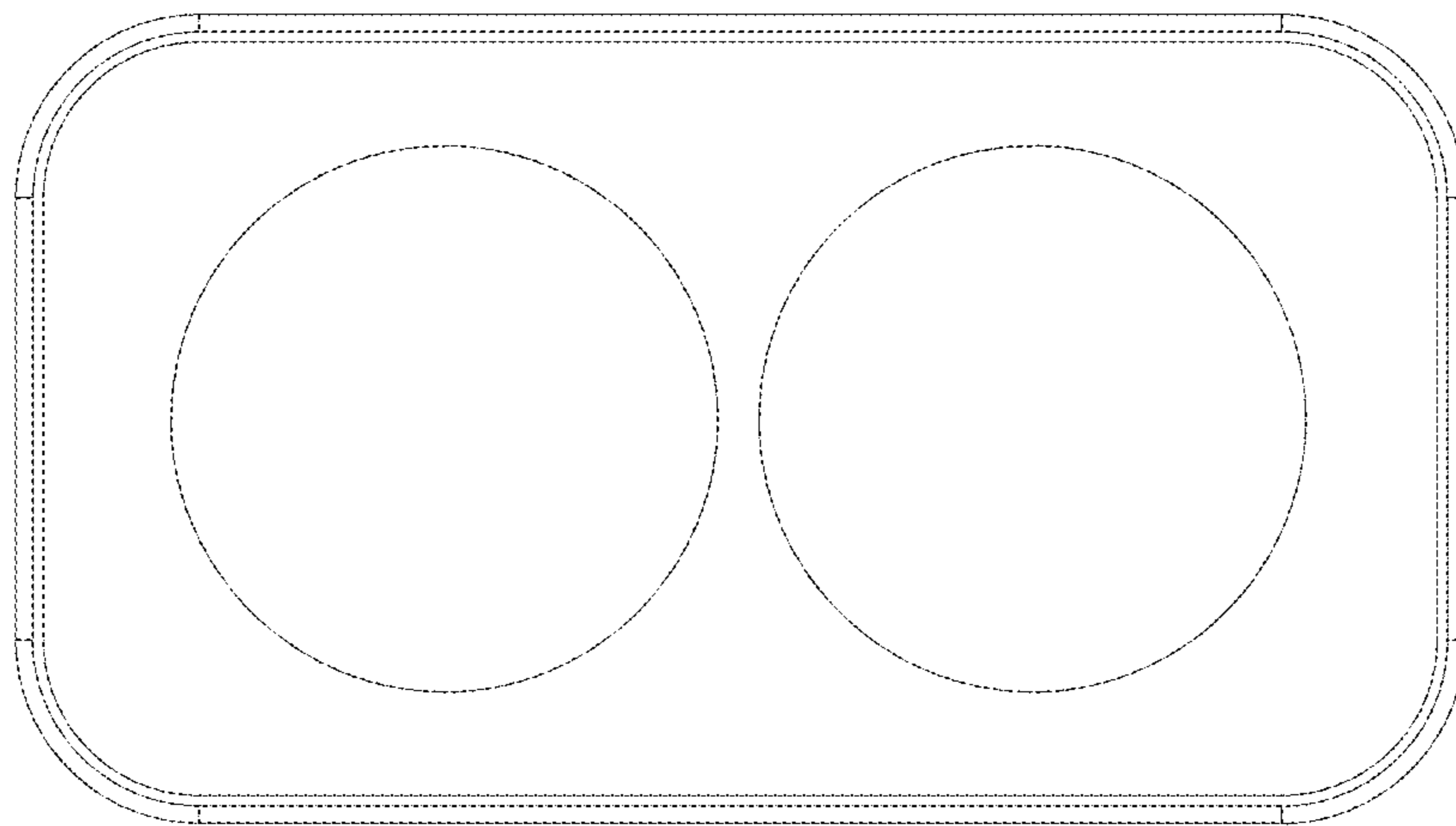


FIG. 5

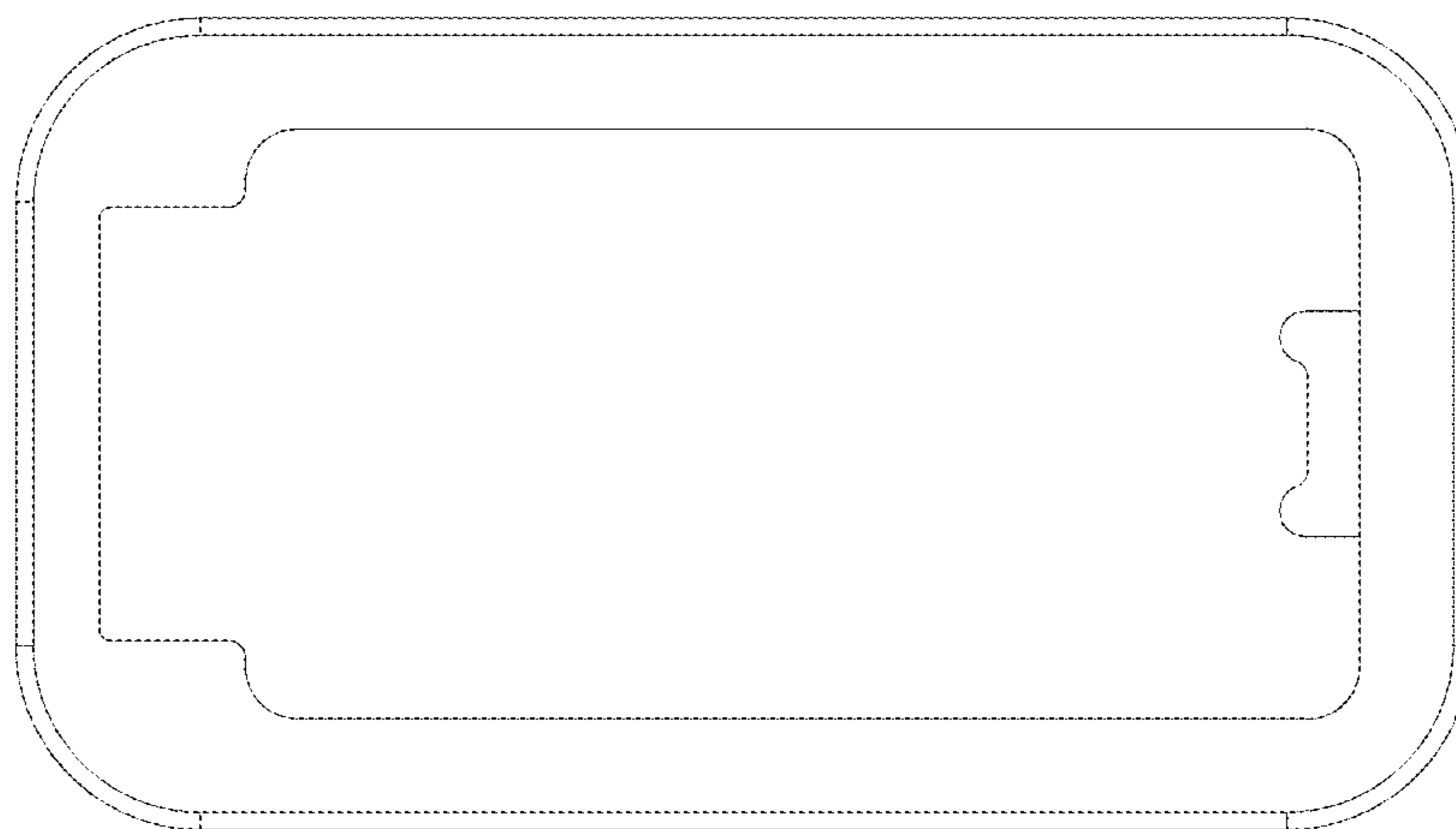


FIG. 6

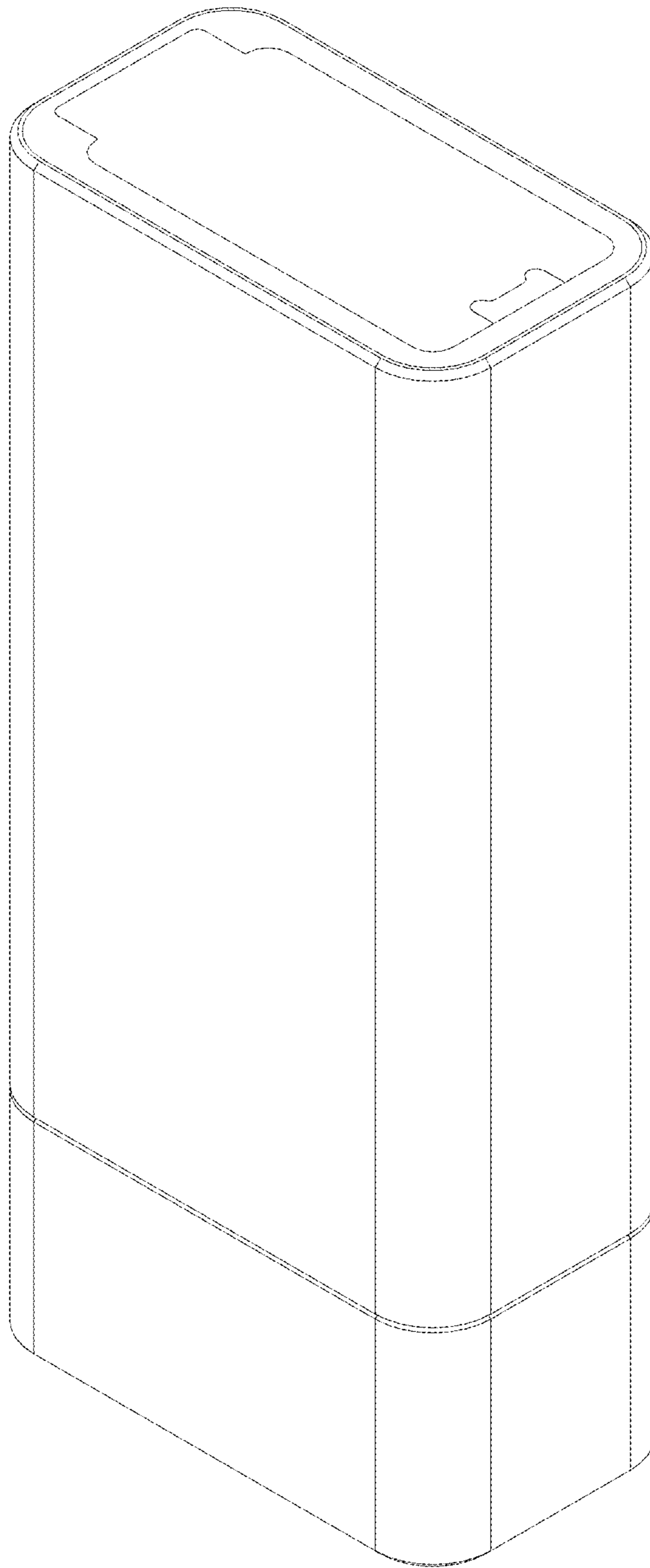


FIG. 7

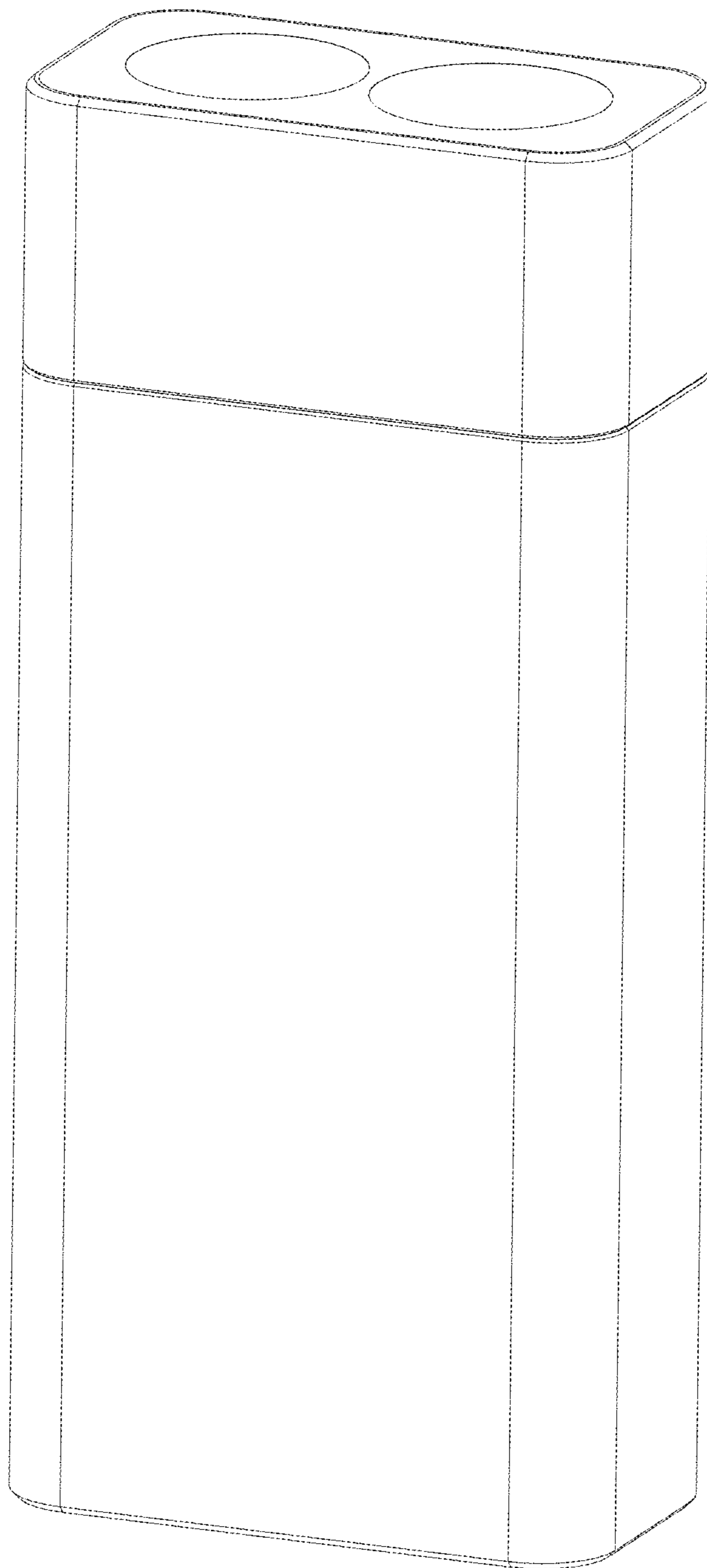


FIG. 8

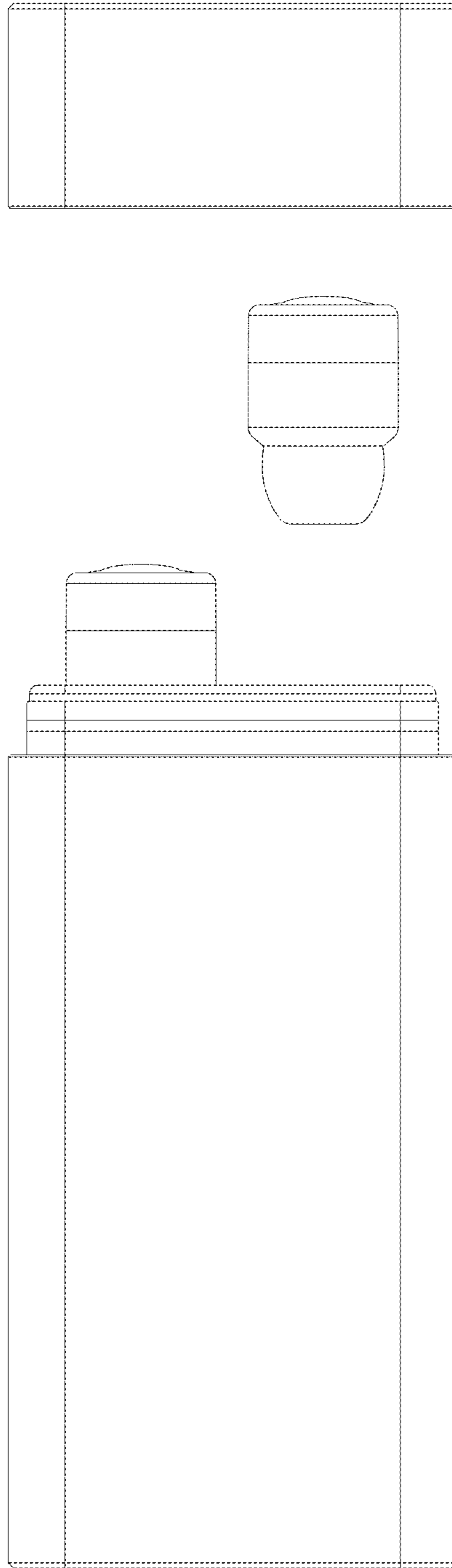


FIG. 9

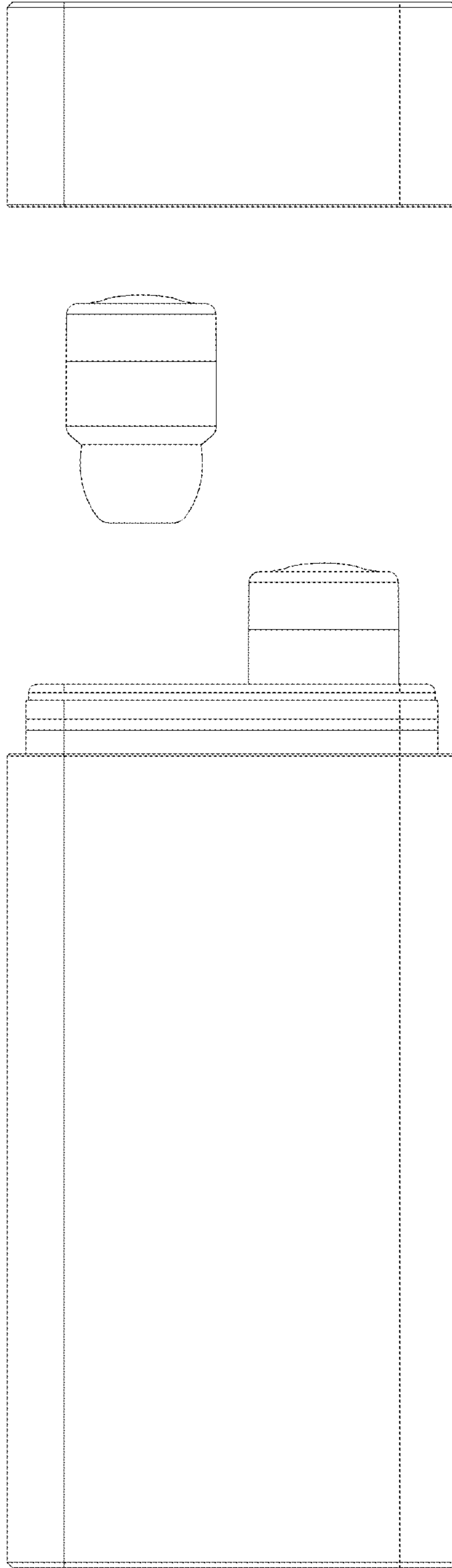


FIG. 10

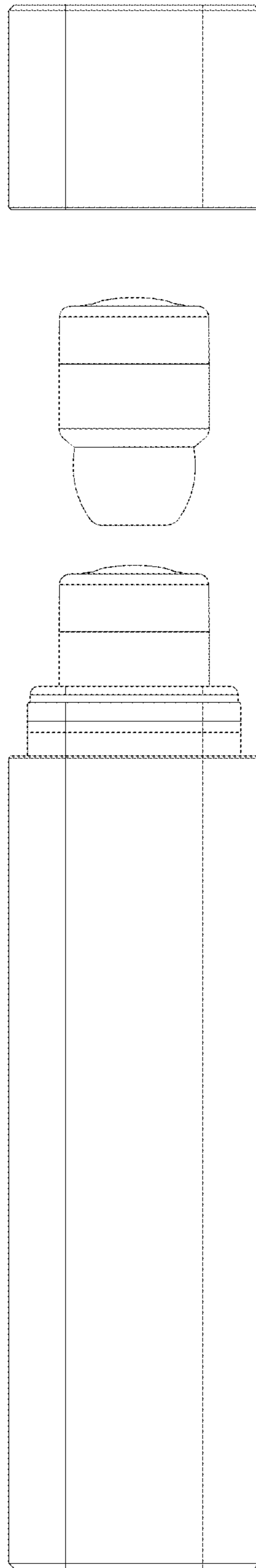


FIG. 11

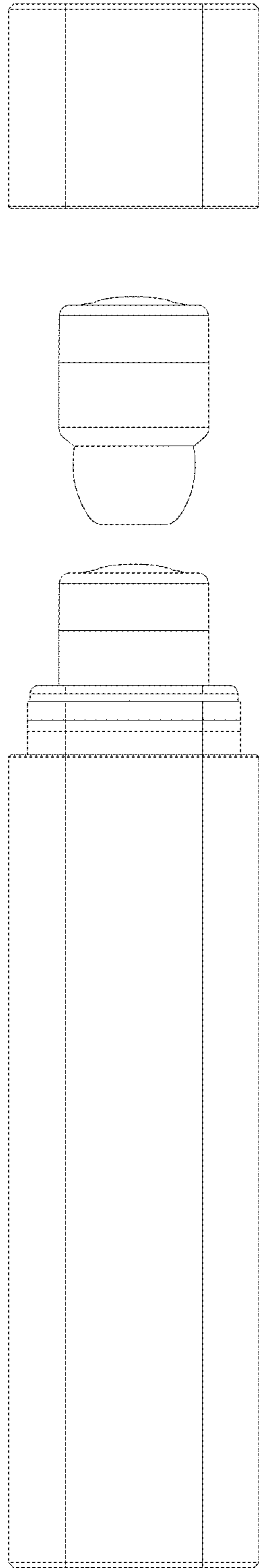


FIG. 12

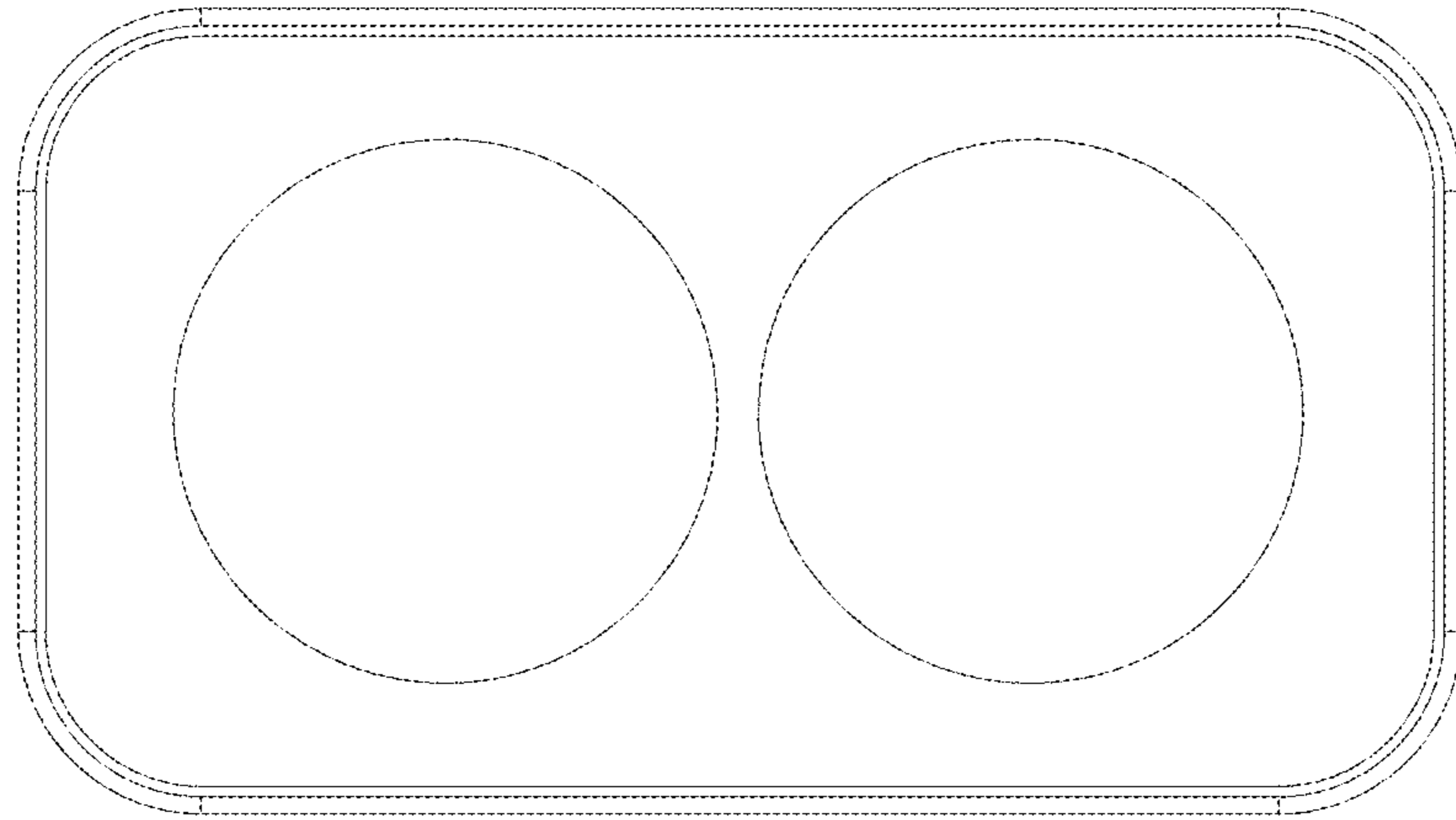


FIG. 13

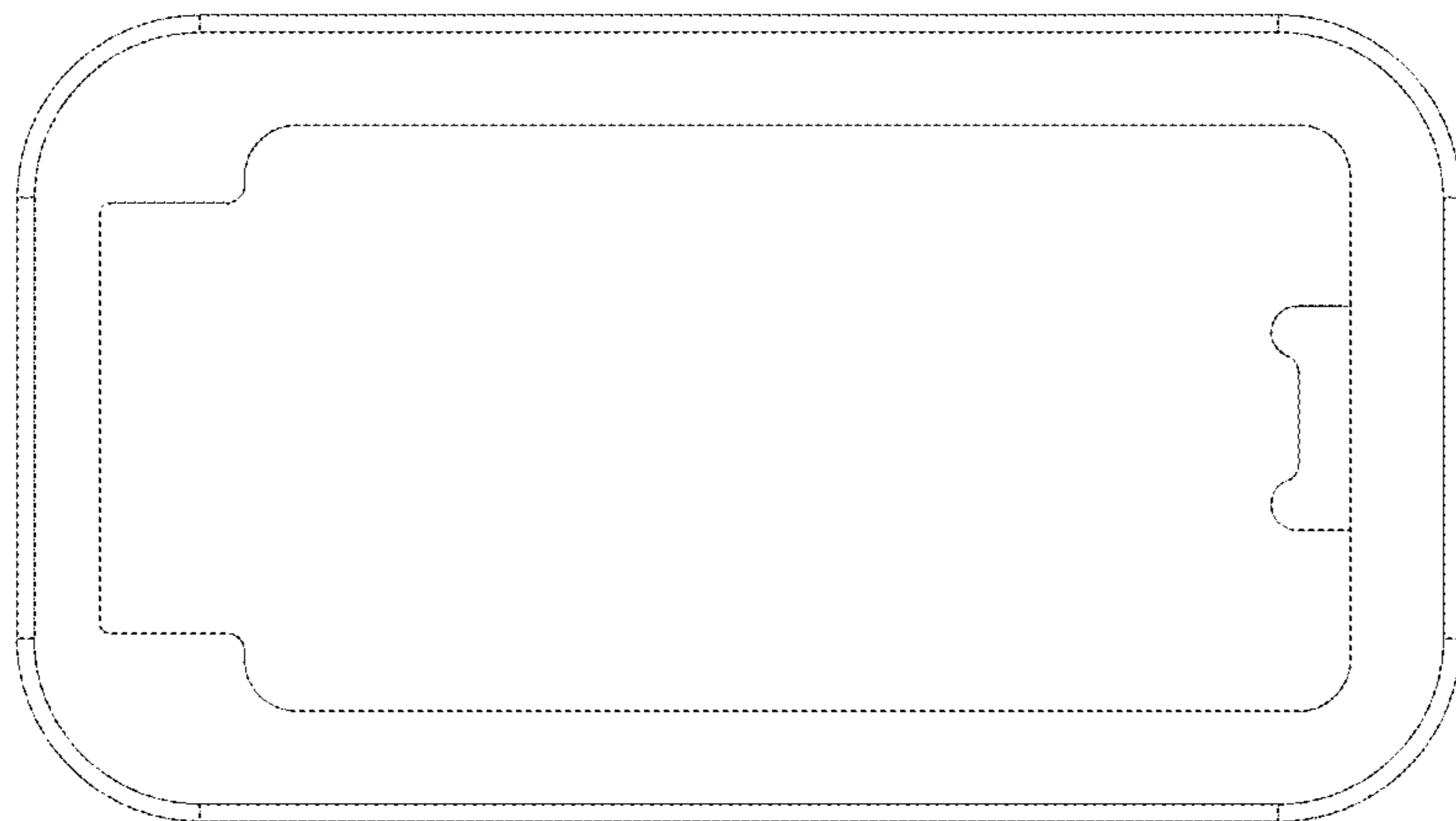


FIG. 14

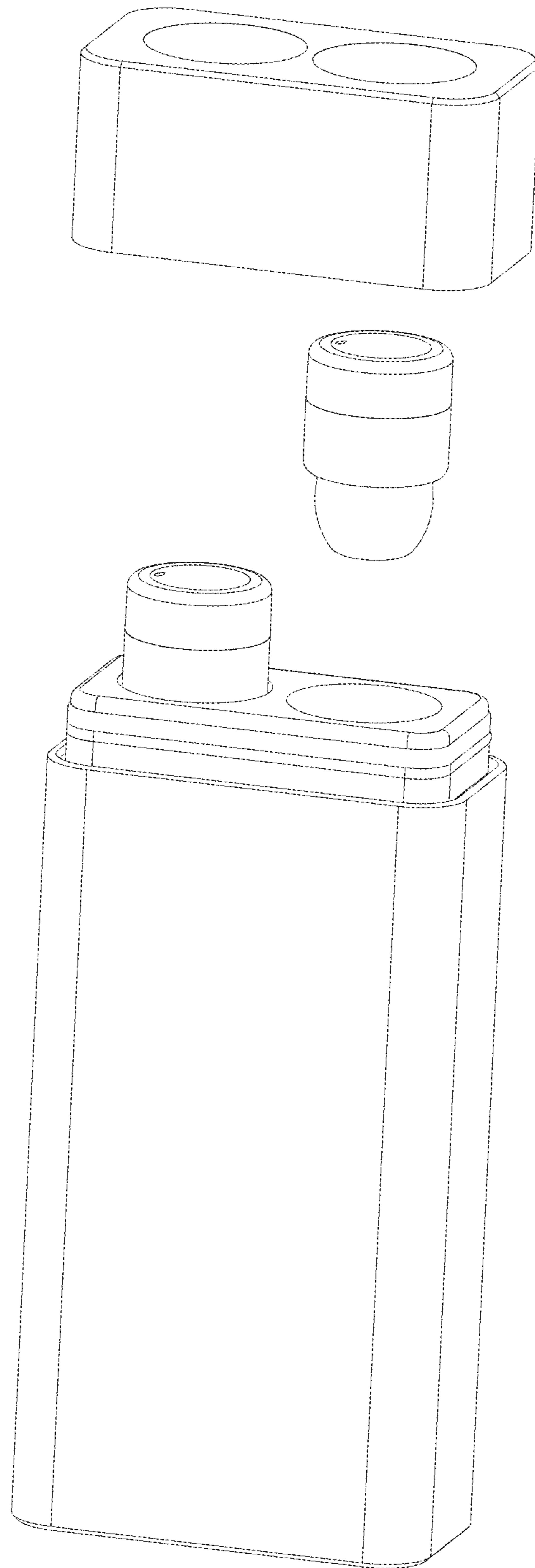


FIG. 15

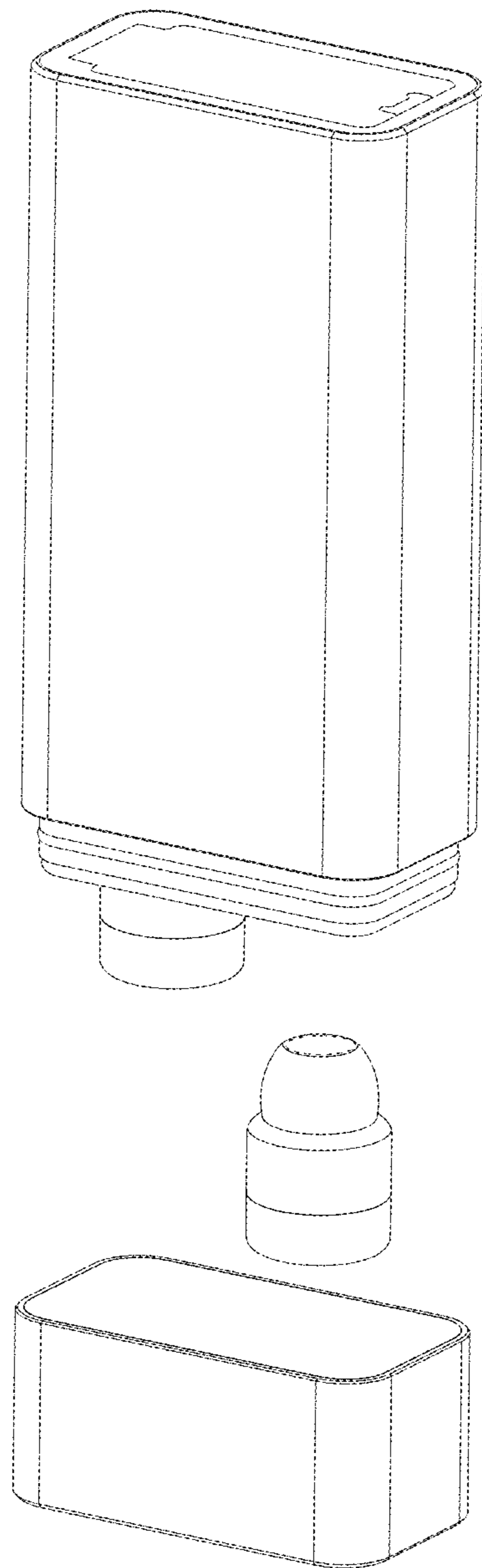


FIG. 16

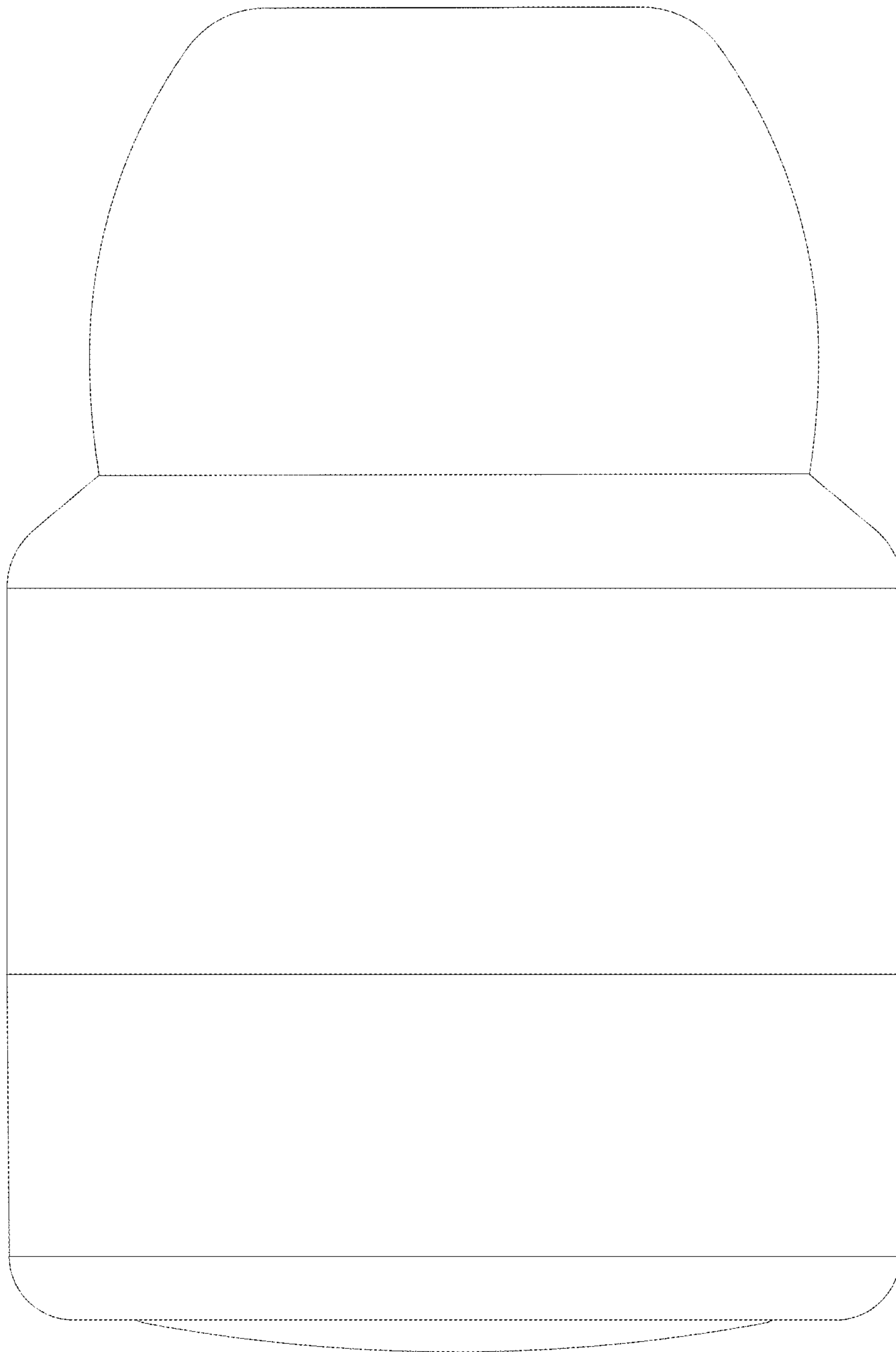


FIG. 17

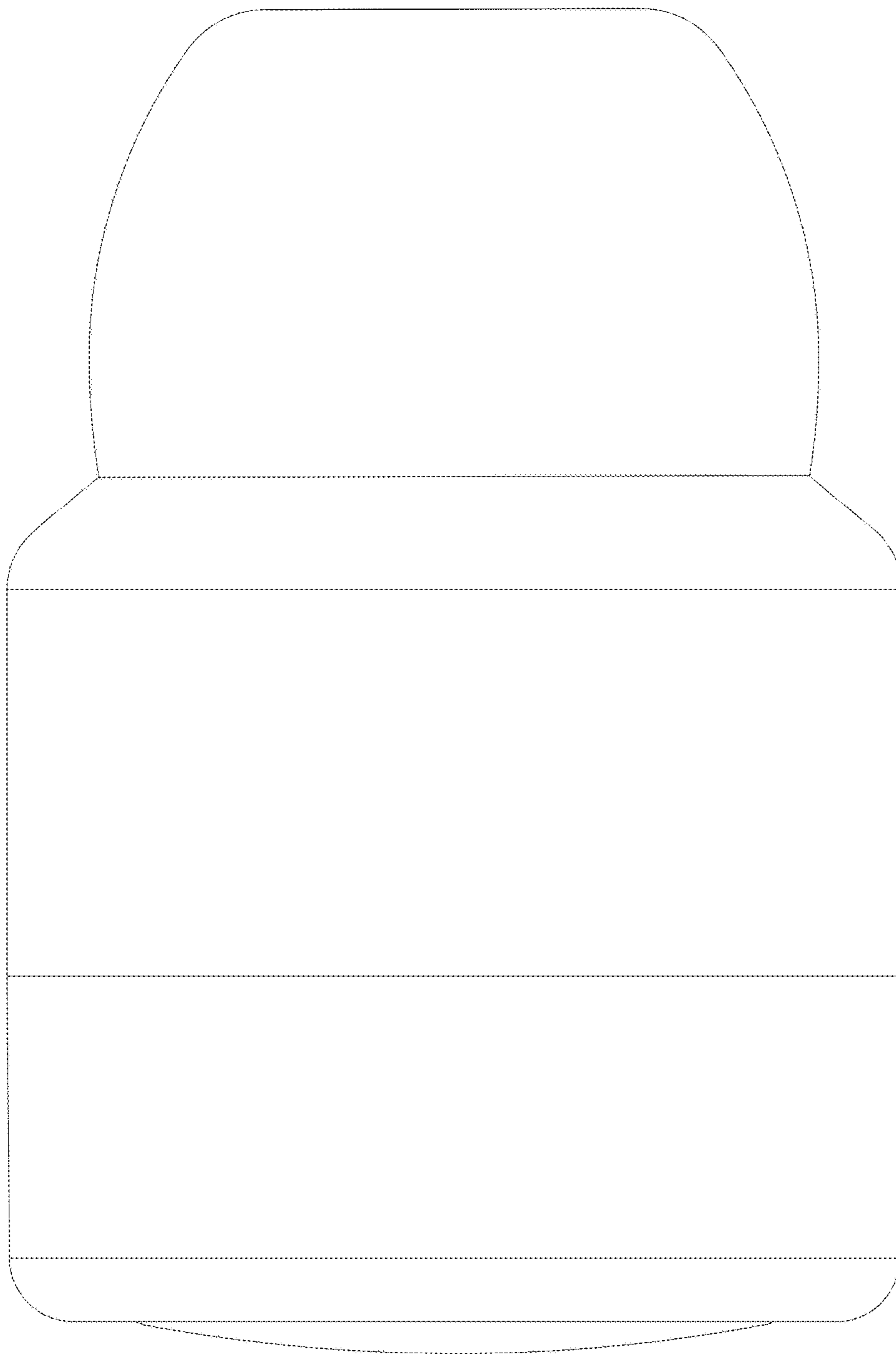


FIG. 18

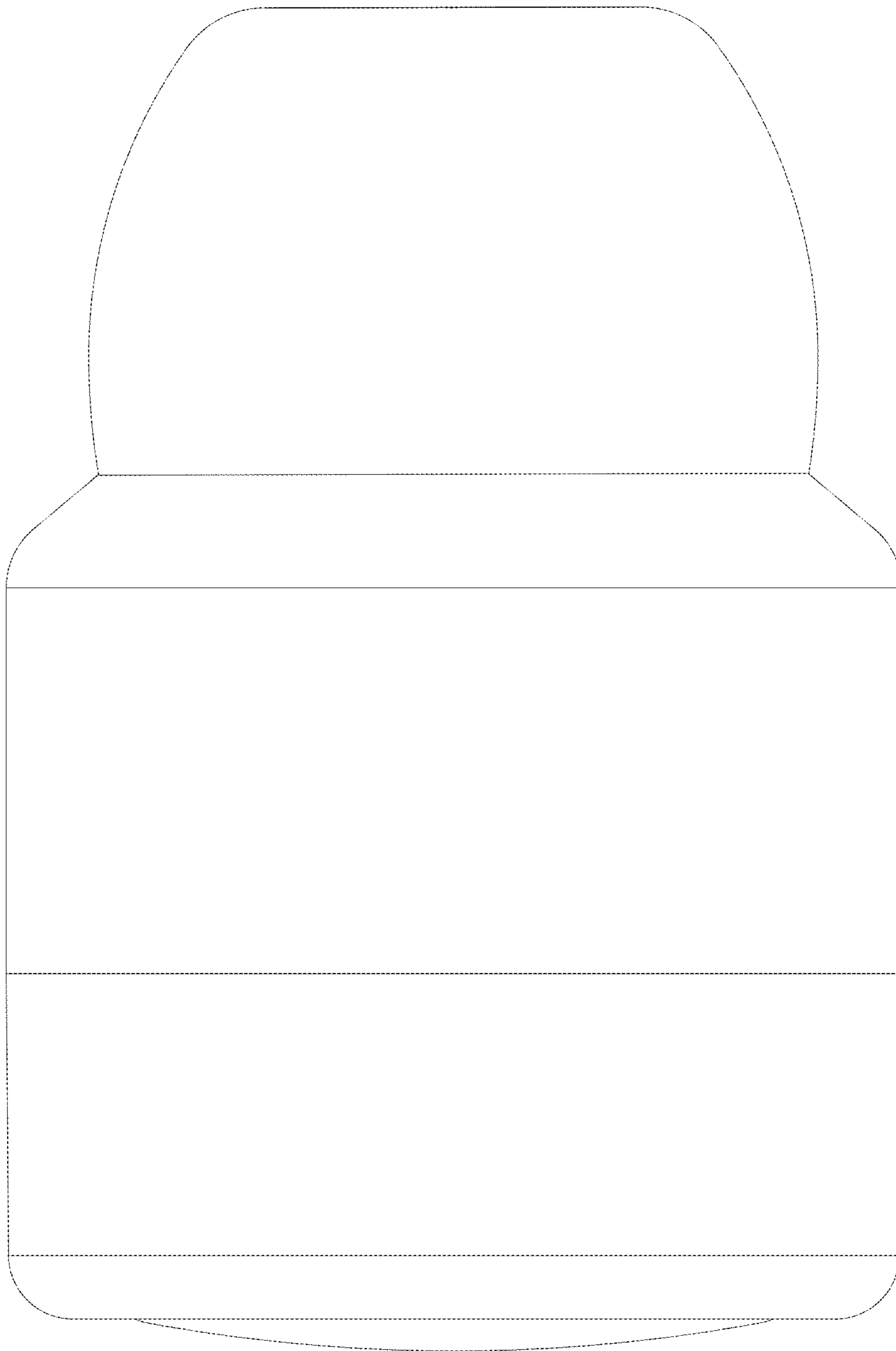


FIG. 19

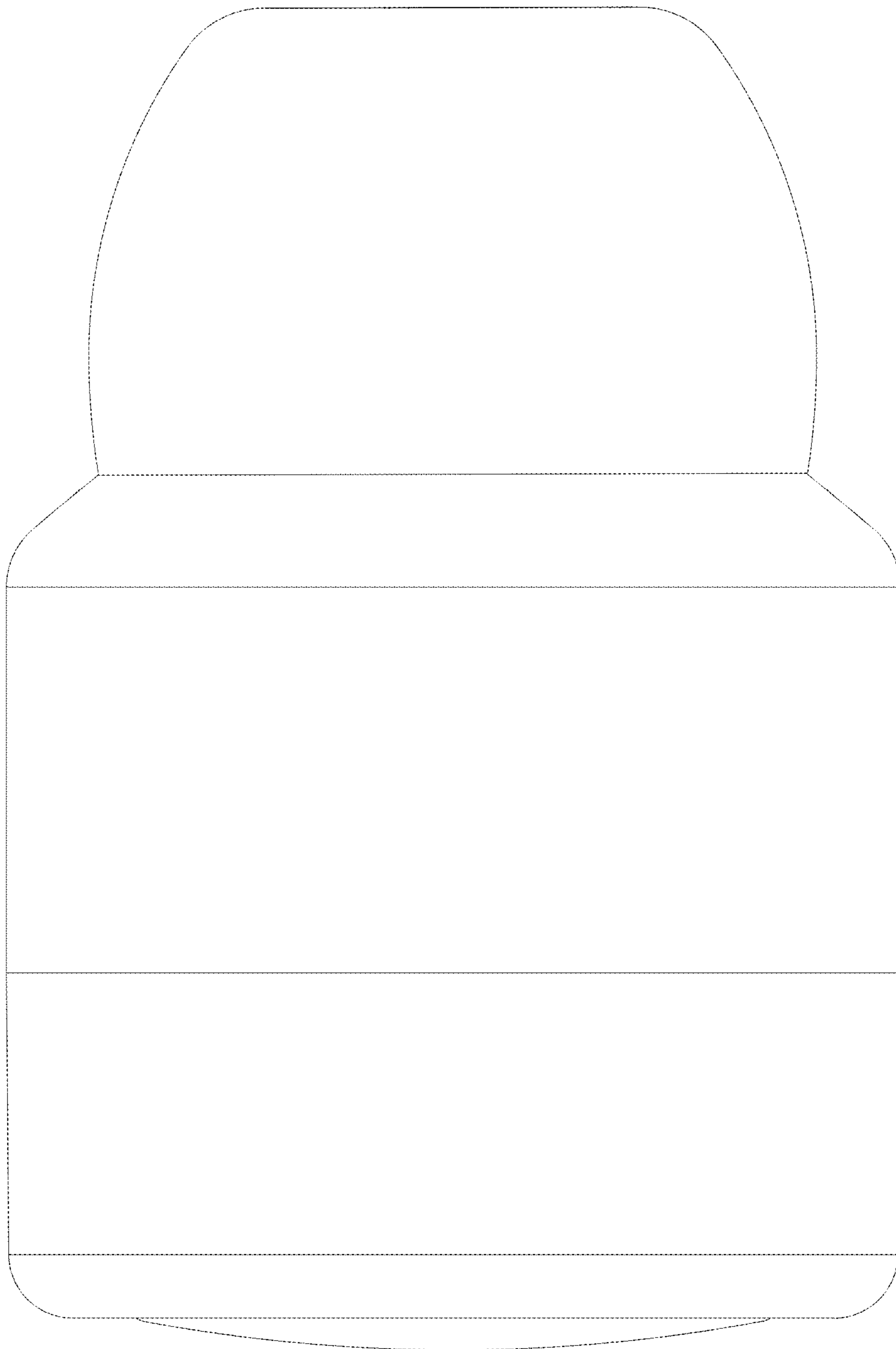


FIG. 20

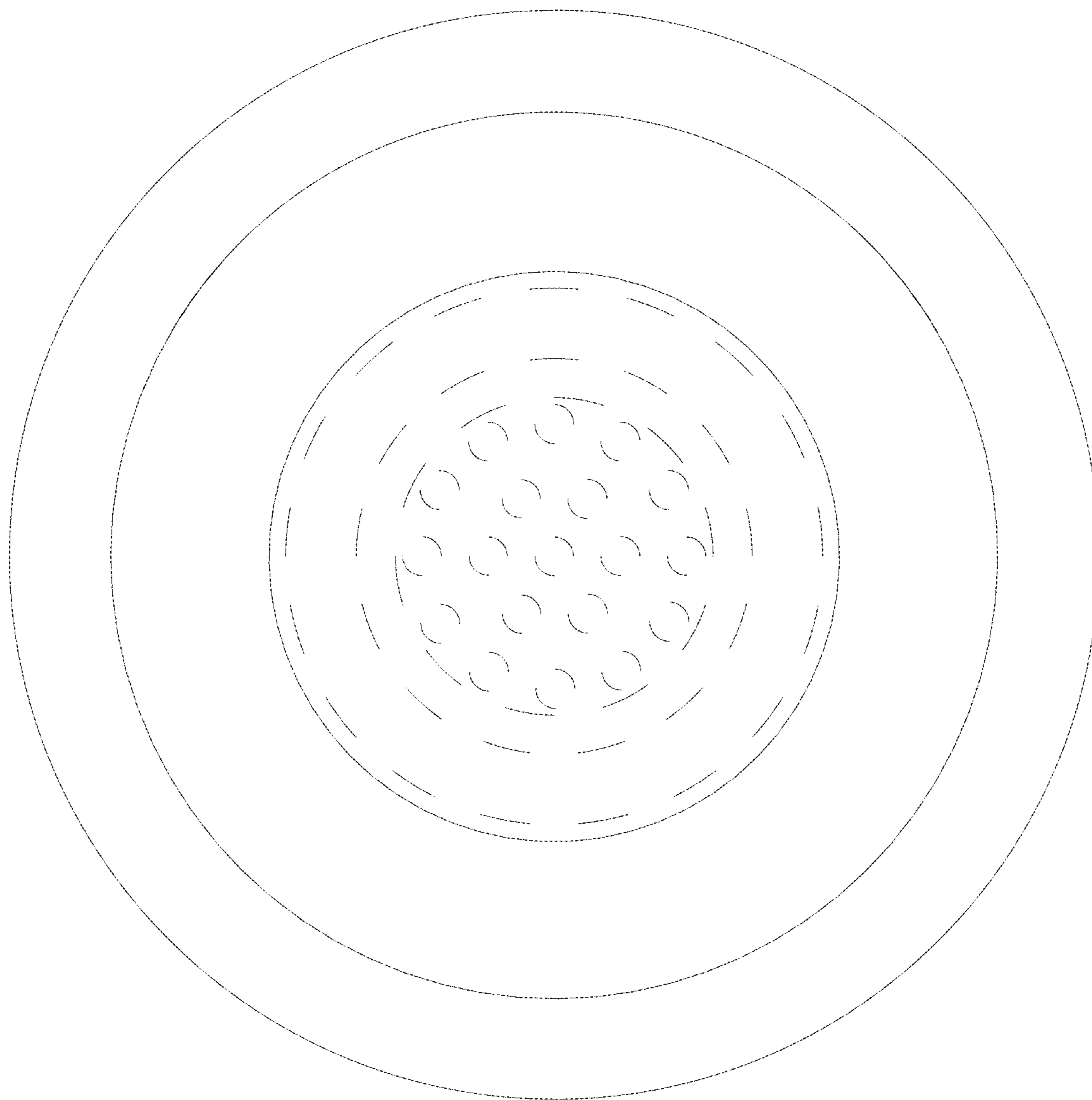


FIG. 21

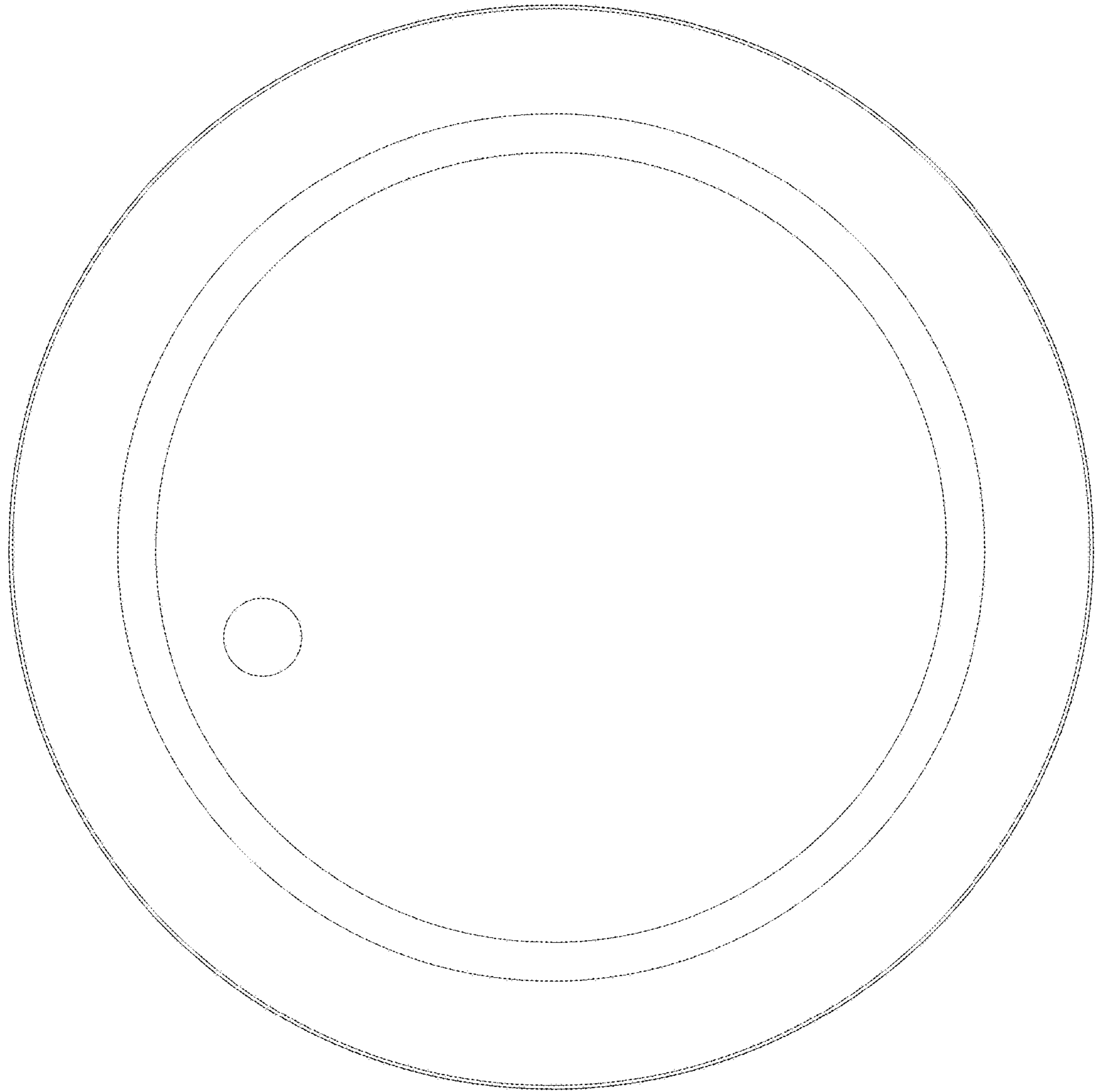


FIG. 22

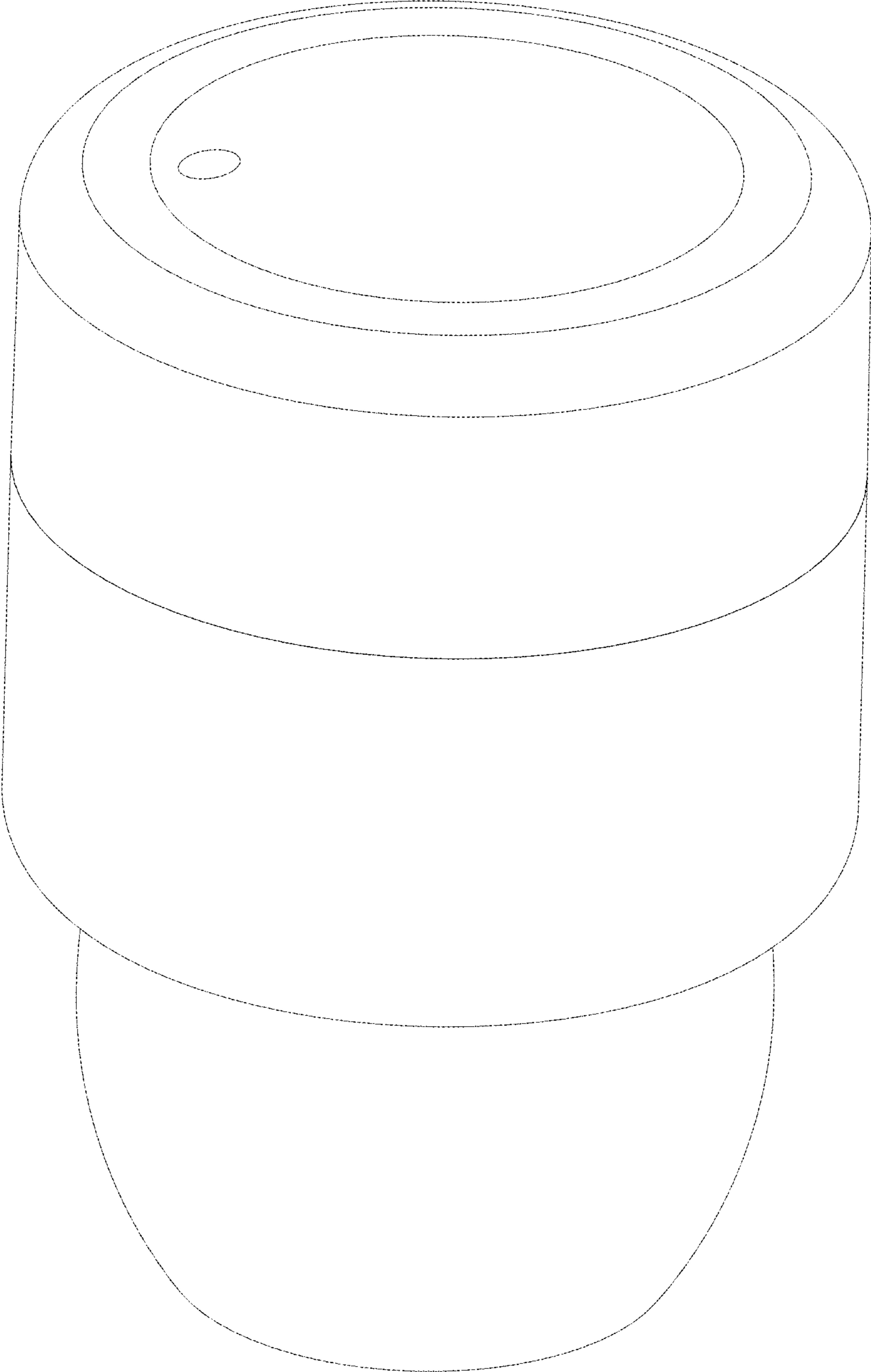


FIG. 23

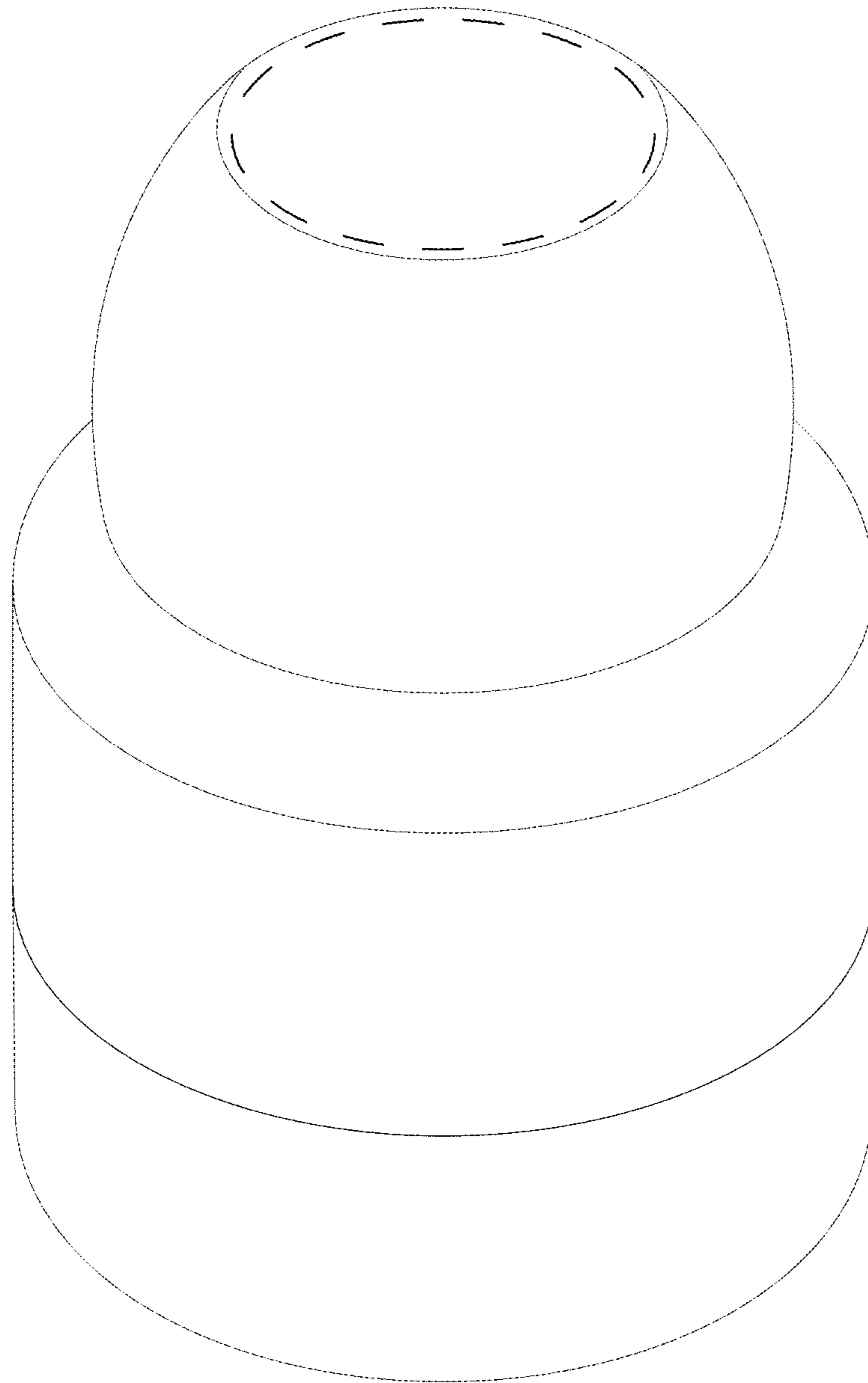


FIG. 24