



US00D843718S

(12) **United States Design Patent**
Tomasetta et al.

(10) **Patent No.:** **US D843,718 S**
(45) **Date of Patent:** **** Mar. 26, 2019**

(54) **HANDBAG**

(71) Applicant: **Chloe S.A.S.**, Paris (FR)

(72) Inventors: **Marco Ettore Tomasetta**, Paris (FR);
Myriam Serrano, Paris (FR)

(73) Assignee: **Chloe S.A.S.**, Paris (FR)

(**) Term: **15 Years**

(21) Appl. No.: **29/598,900**

(22) Filed: **Mar. 29, 2017**

(30) **Foreign Application Priority Data**

Sep. 28, 2016 (FR) 16 4874

(51) **LOC (11) Cl.** **03-01**

(52) **U.S. Cl.**
USPC **D3/244; D3/217**

(58) **Field of Classification Search**
USPC D3/217, 232–233, 240–246
CPC A45C 1/024; A45C 3/08
See application file for complete search history.

(56) **References Cited**

U.S. PATENT DOCUMENTS

D436,437 S * 1/2001 Guyon D3/232
D441,528 S * 5/2001 Guyon D3/232
D786,552 S * 5/2017 Maier D3/243

* cited by examiner

Primary Examiner — Holly H Baynham

(74) *Attorney, Agent, or Firm* — Fross Zelnick Lehrman & Zissu, P.C.; Charles T. J. Weigell, Esq.

(57) **CLAIM**

The ornamental design for a handbag, as shown and described.

DESCRIPTION

FIG. 1 is a front perspective view of a handbag showing my new design;
FIG. 2 is a front view thereof;
FIG. 3 is a back view thereof;
FIG. 4 is a left side view thereof;
FIG. 5 is a right side view thereof;
FIG. 6 is a top view thereof;
FIG. 7 is a bottom view thereof;
FIG. 8 is a back perspective view thereof;
FIG. 9 is an alternative embodiment of the handbag shown in FIG. 1;
FIG. 10 is a front view thereof;
FIG. 11 is a back view thereof;
FIG. 12 is a left side view thereof;
FIG. 13 is a right side view thereof;
FIG. 14 is a top view thereof;
FIG. 15 is a bottom view thereof; and,
FIG. 16 is a back perspective view thereof.
The broken lines showing the shoulder straps, clasps and fasteners are for the purposes of illustrating environment and form no part of the claimed design.
The dotted lines other than those depicting the shoulder strap, clasps, and fasteners are understood to represent stitching and are part of the claimed design.

1 Claim, 16 Drawing Sheets



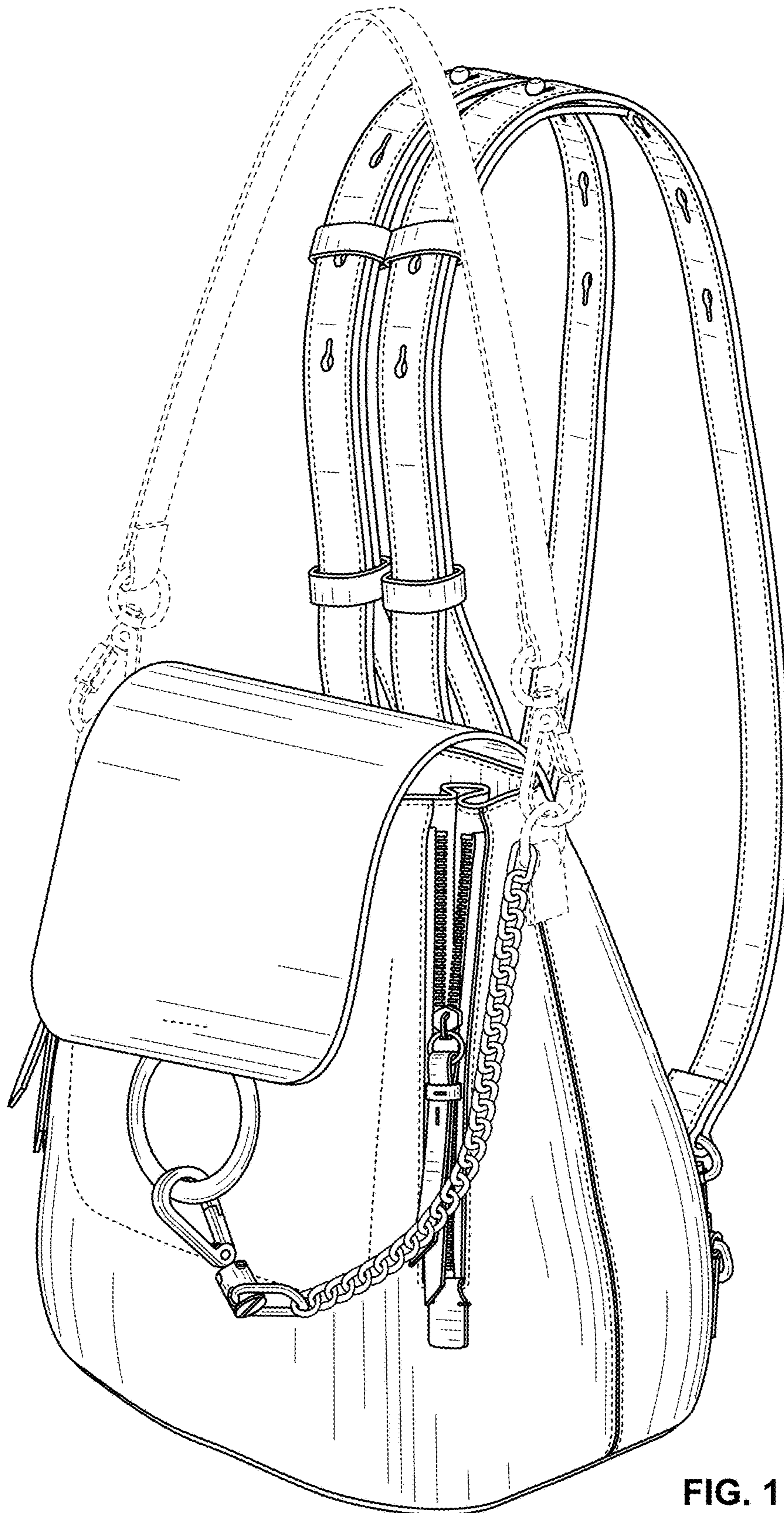


FIG. 1

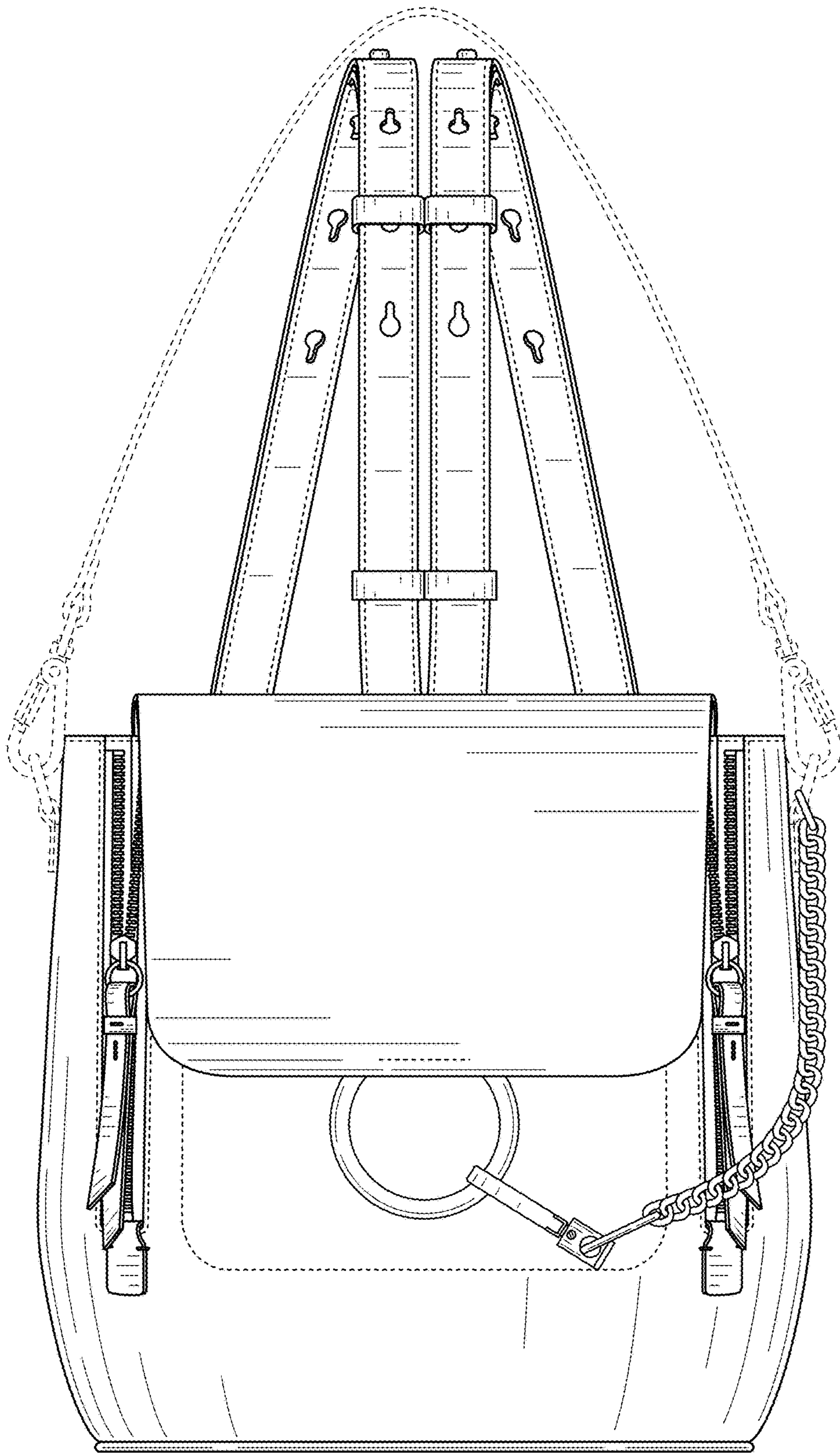


FIG. 2

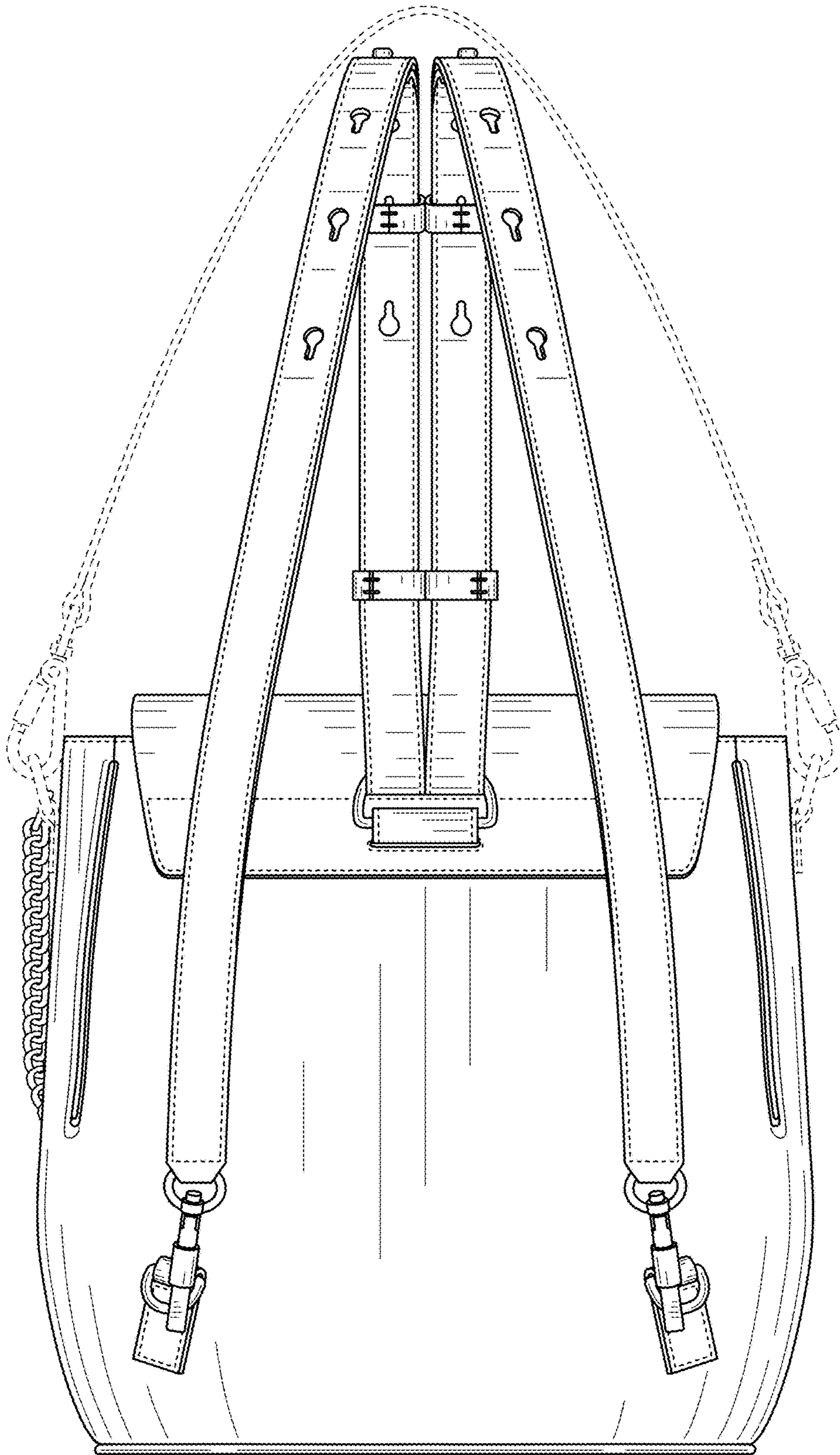


FIG. 3

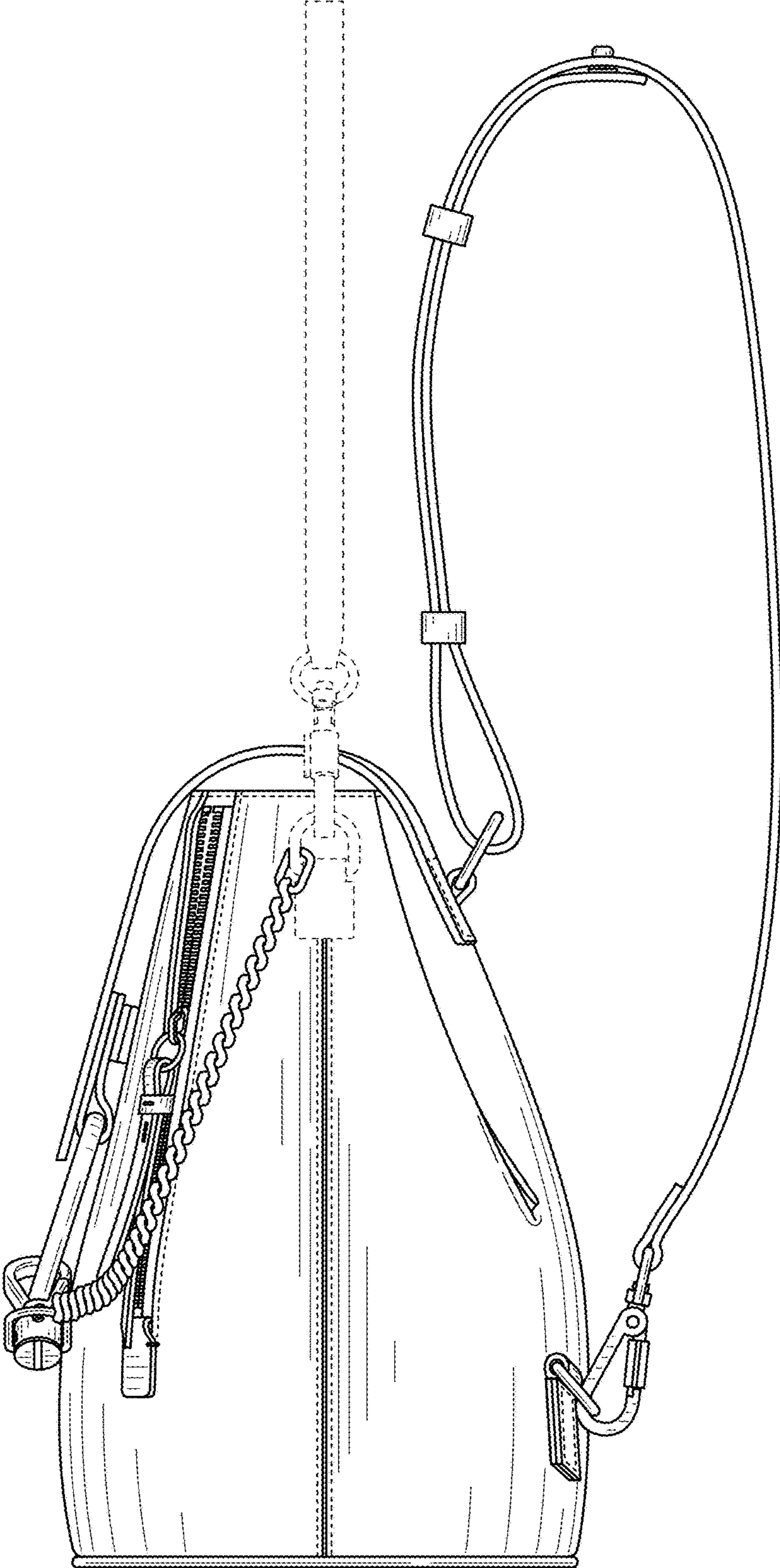


FIG. 4

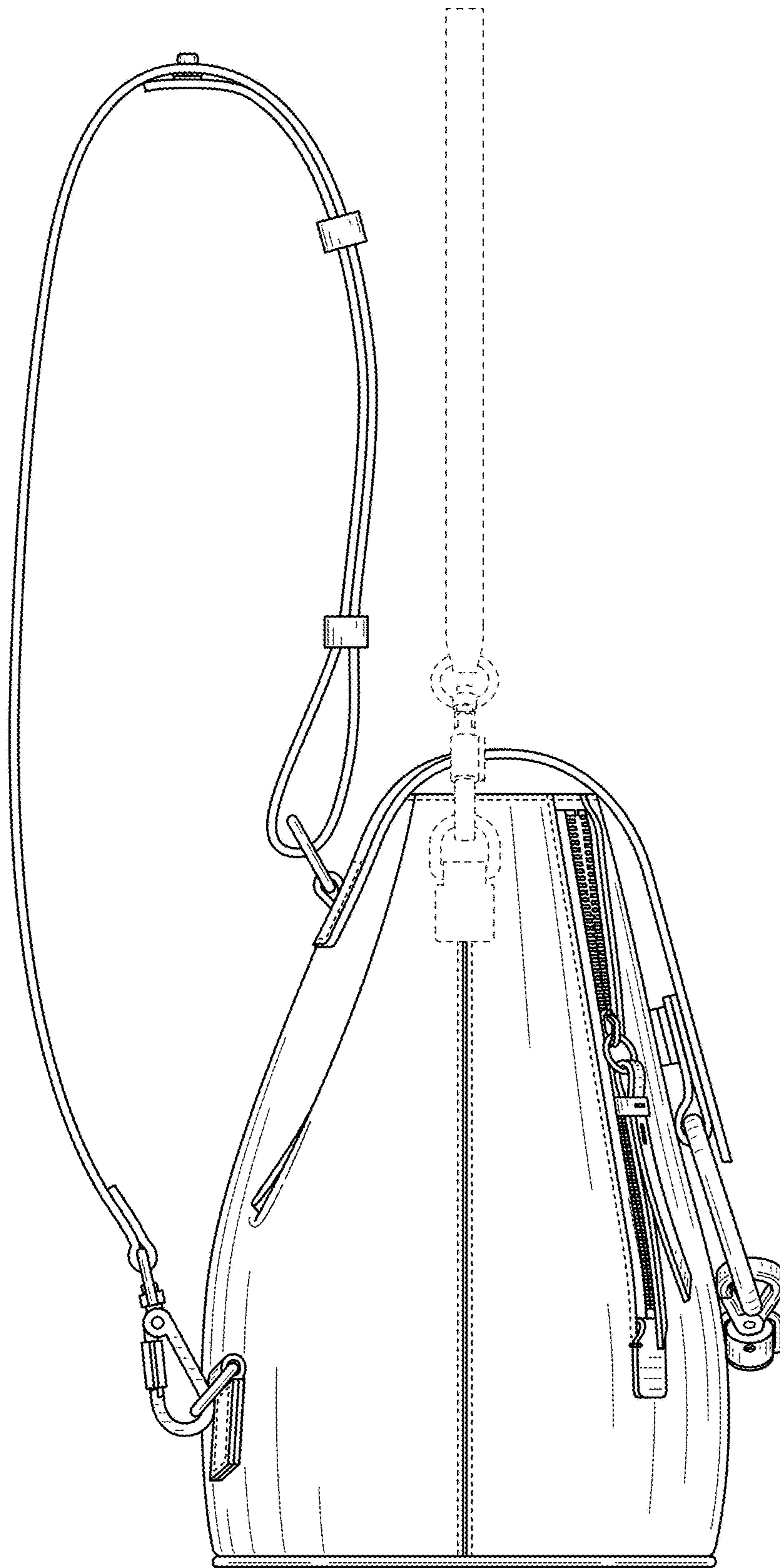


FIG. 5

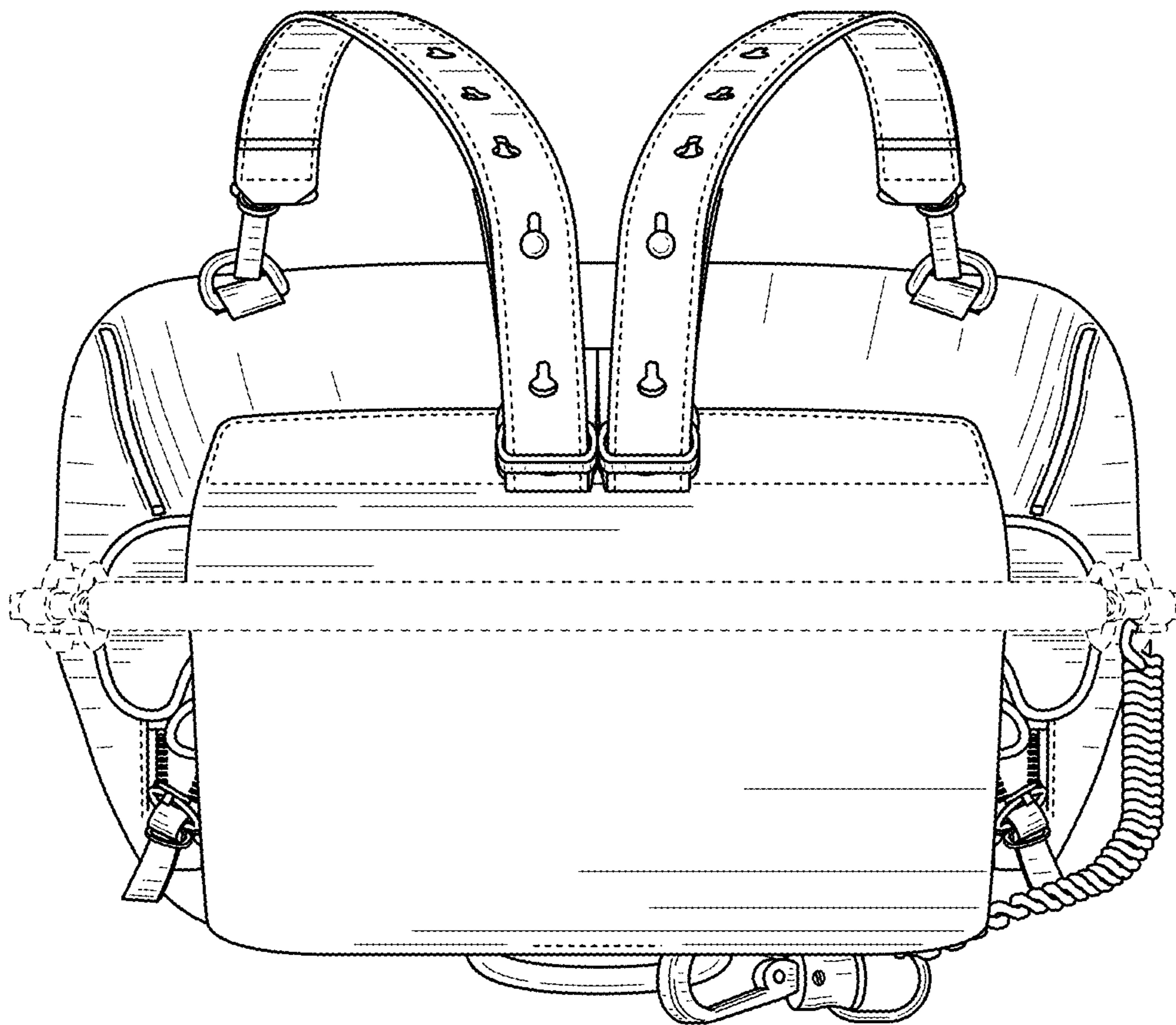


FIG. 6

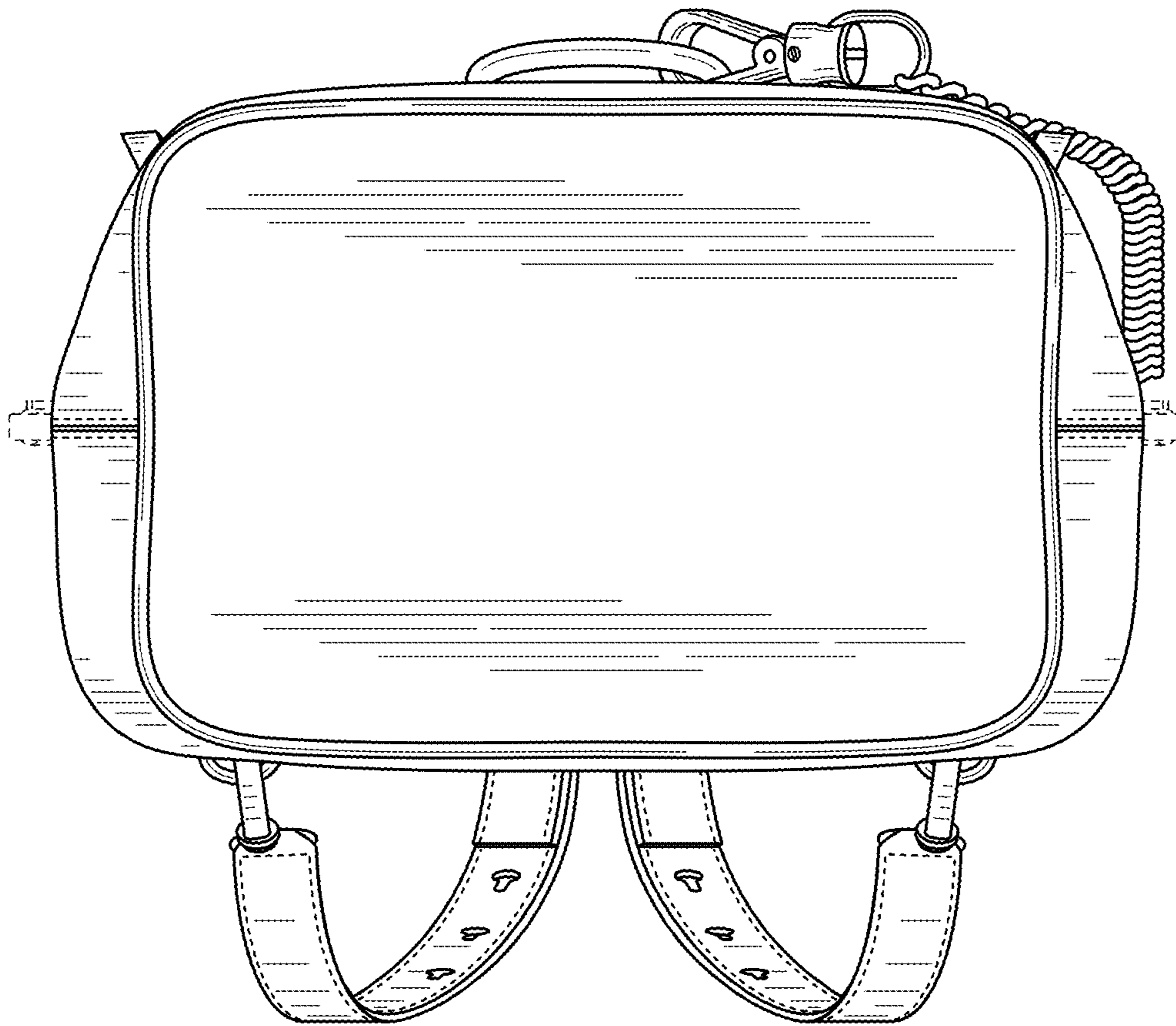


FIG. 7

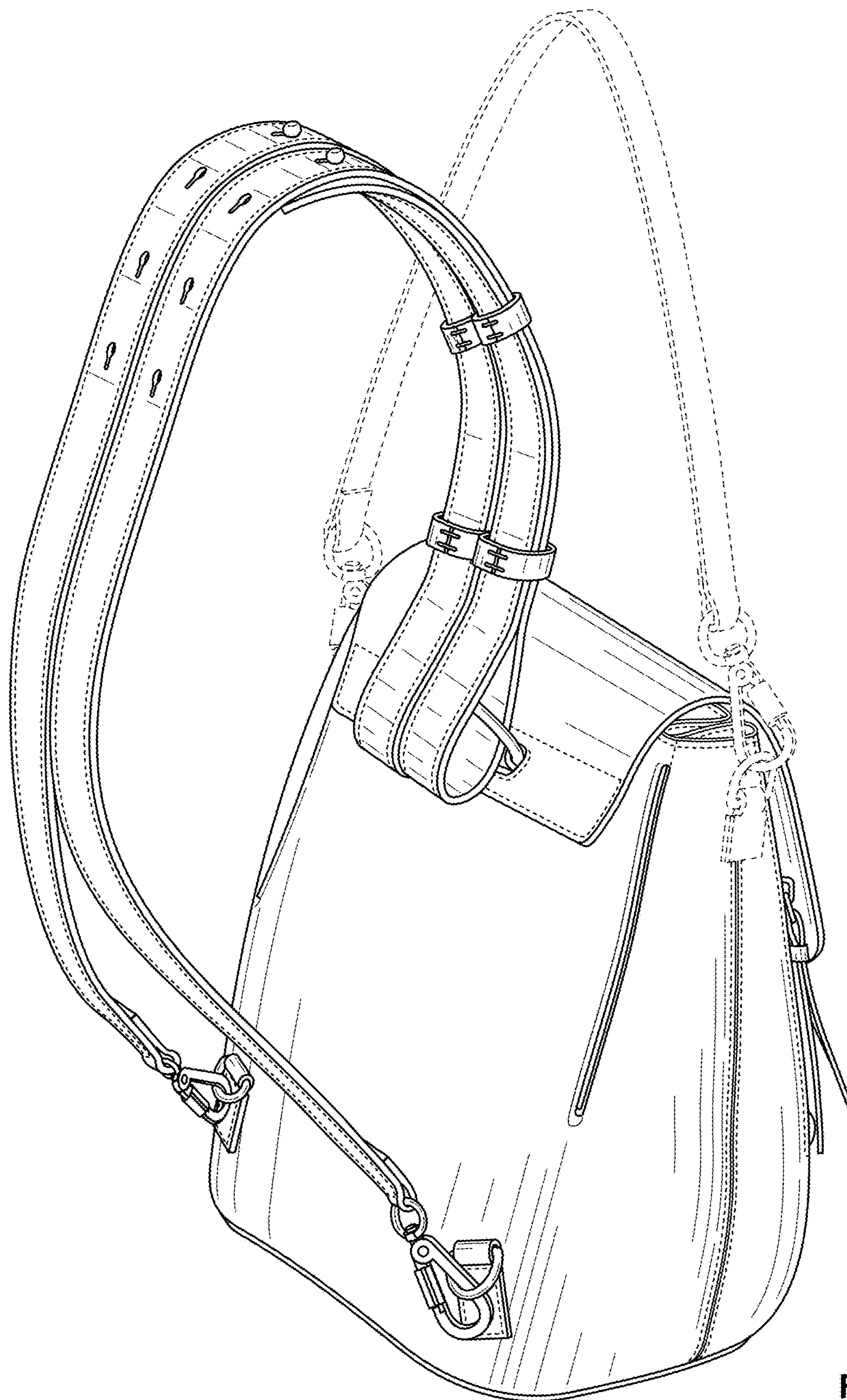


FIG. 8

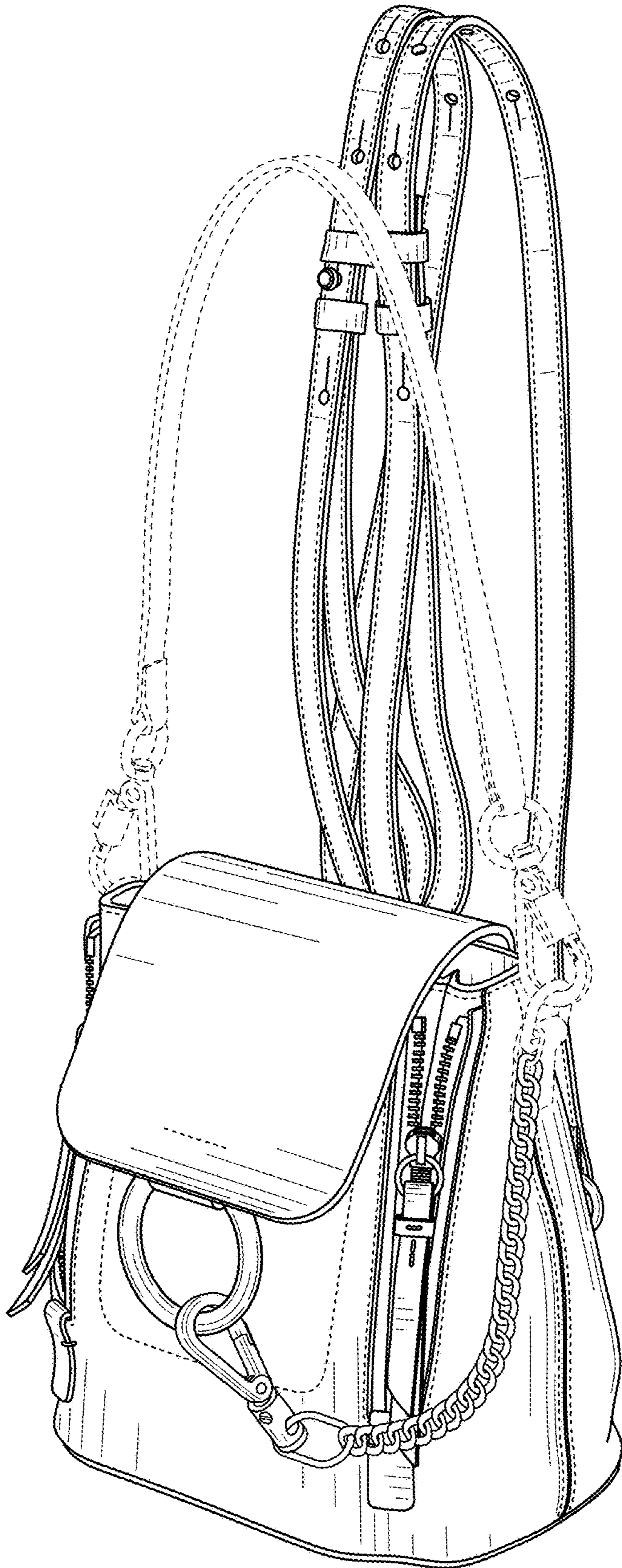


FIG. 9

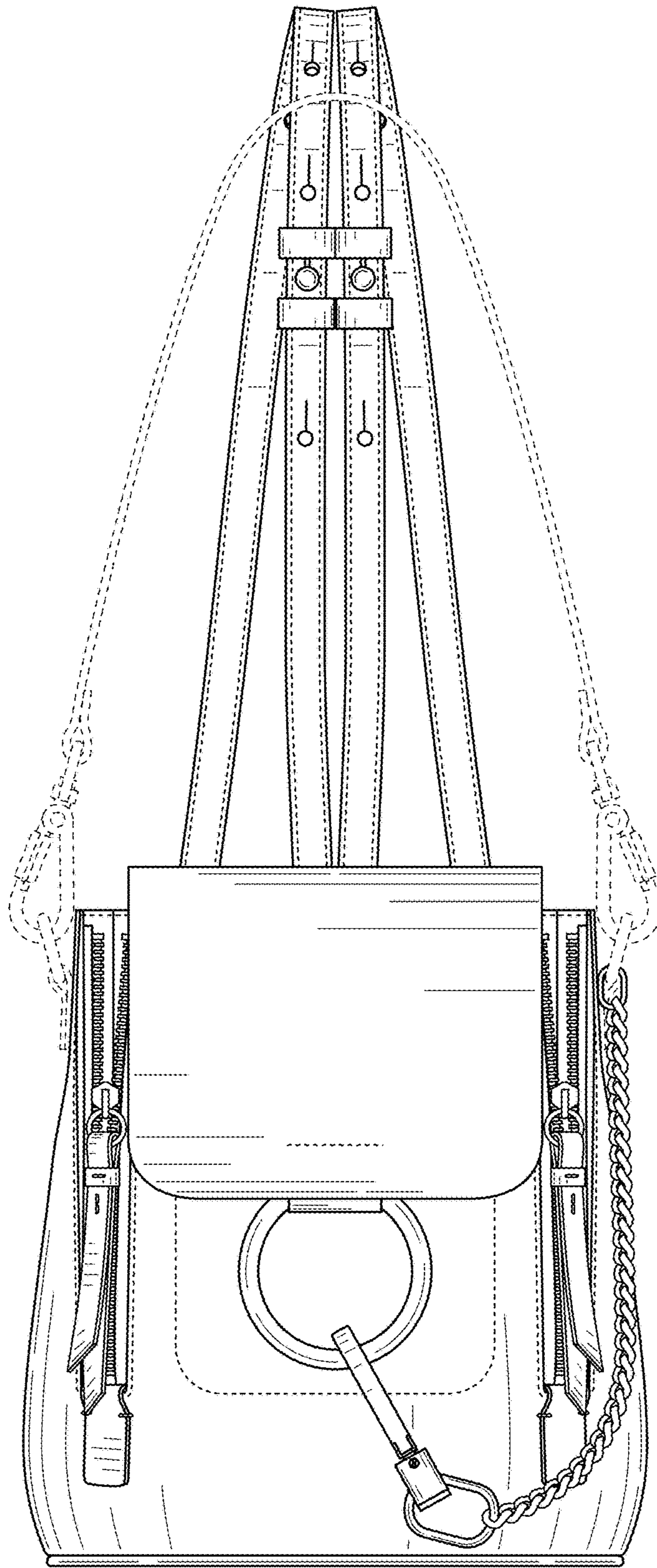


FIG. 10

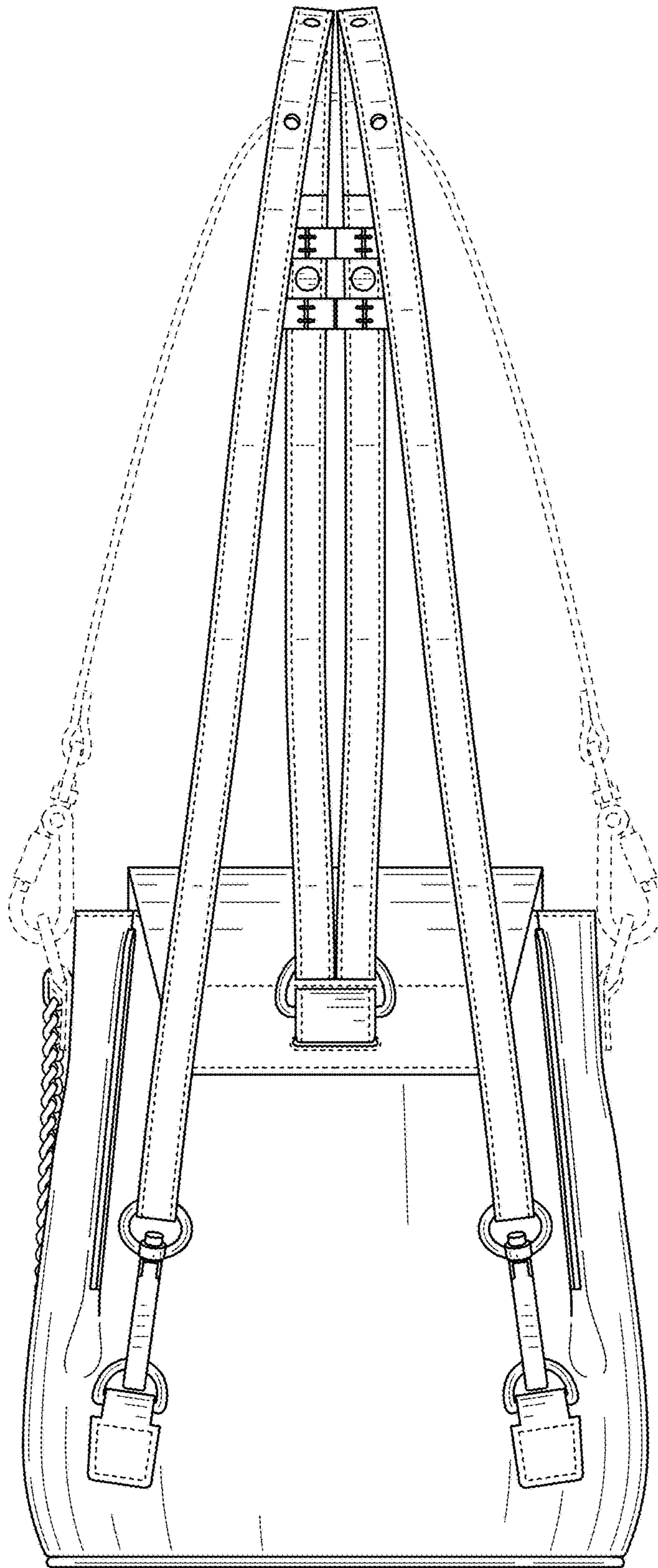


FIG. 11

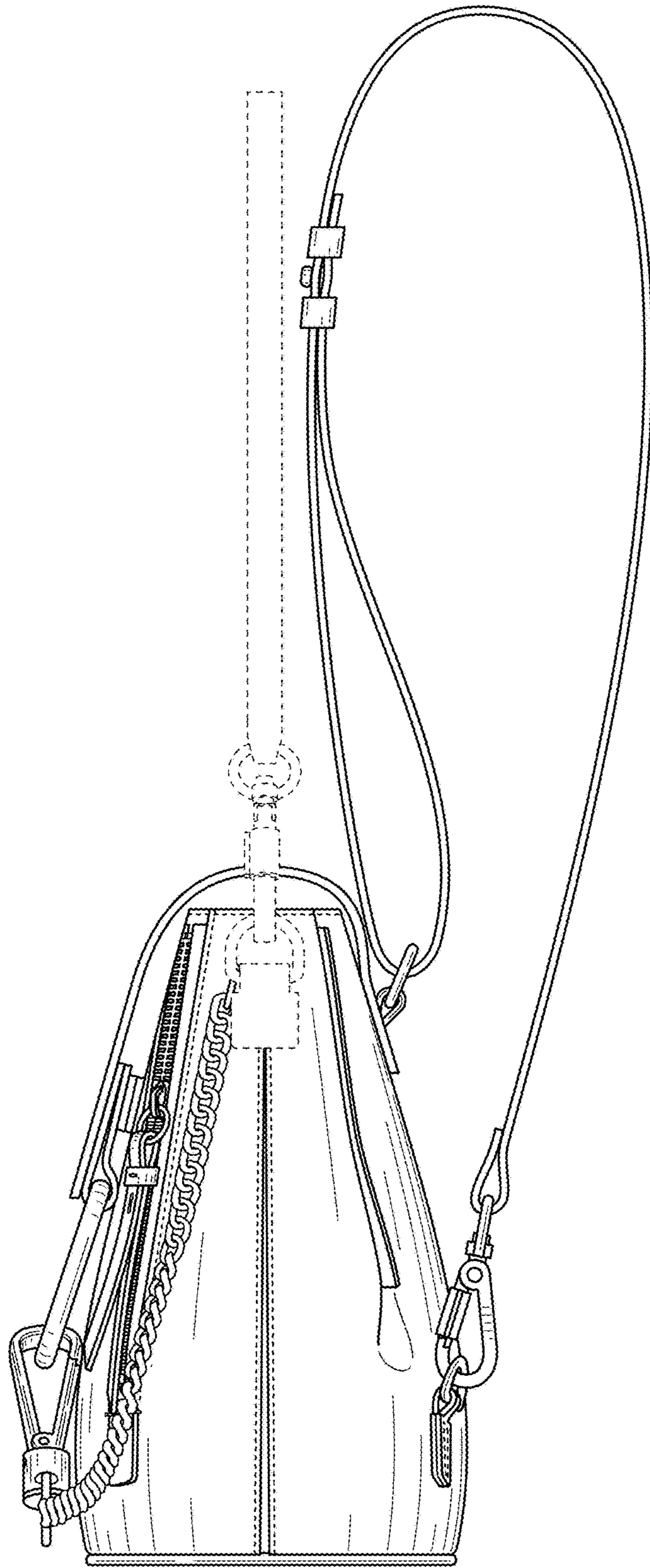


FIG. 12

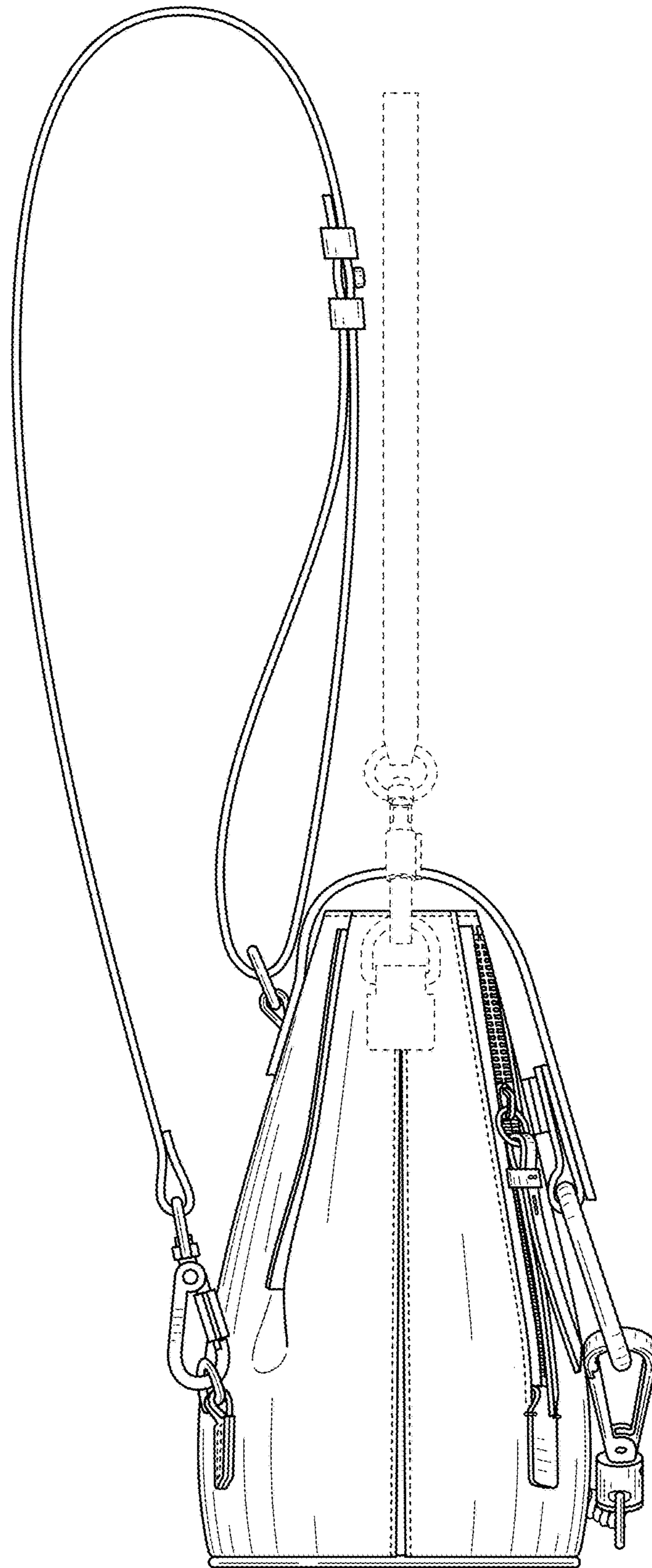


FIG. 13

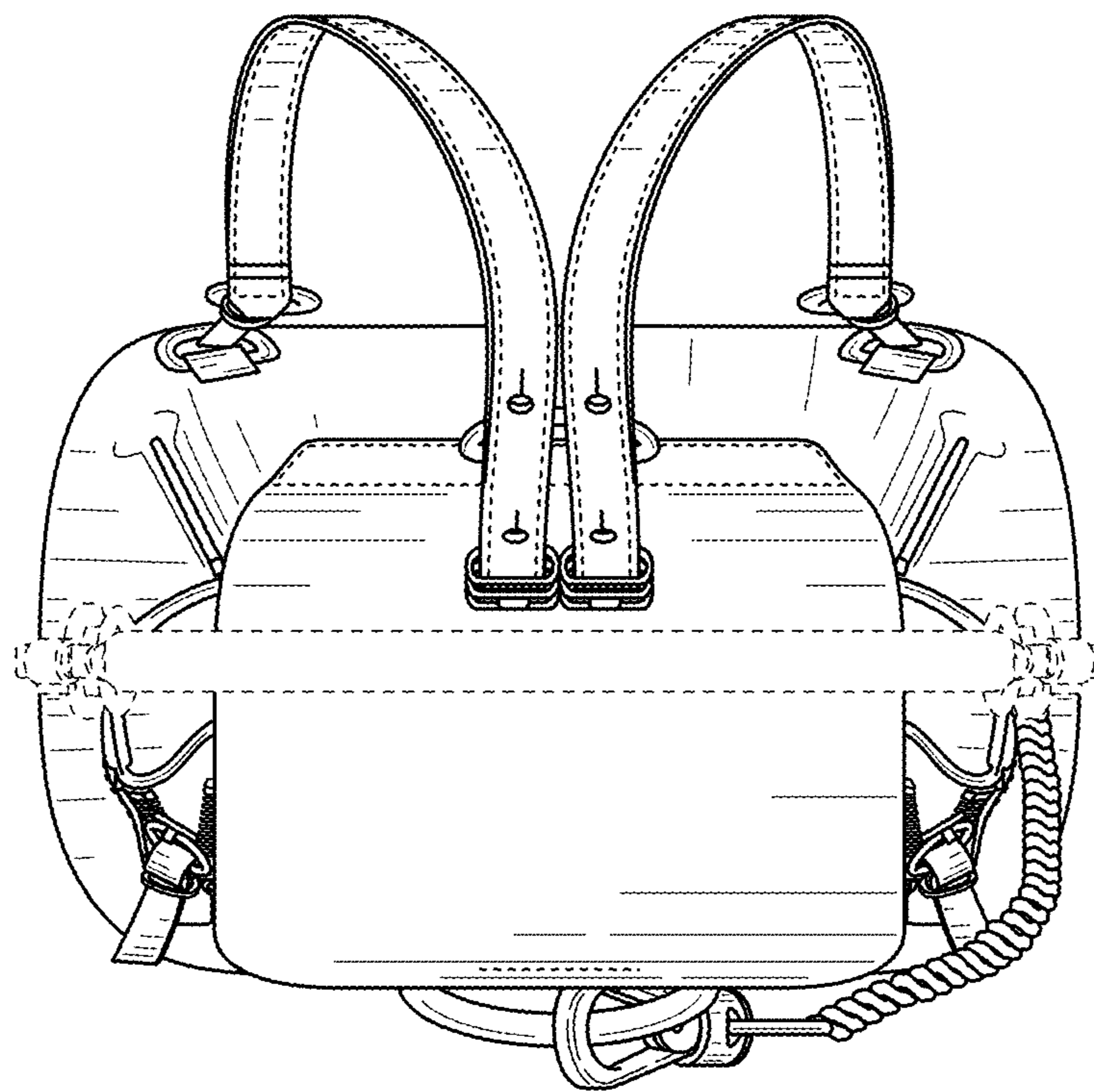


FIG. 14

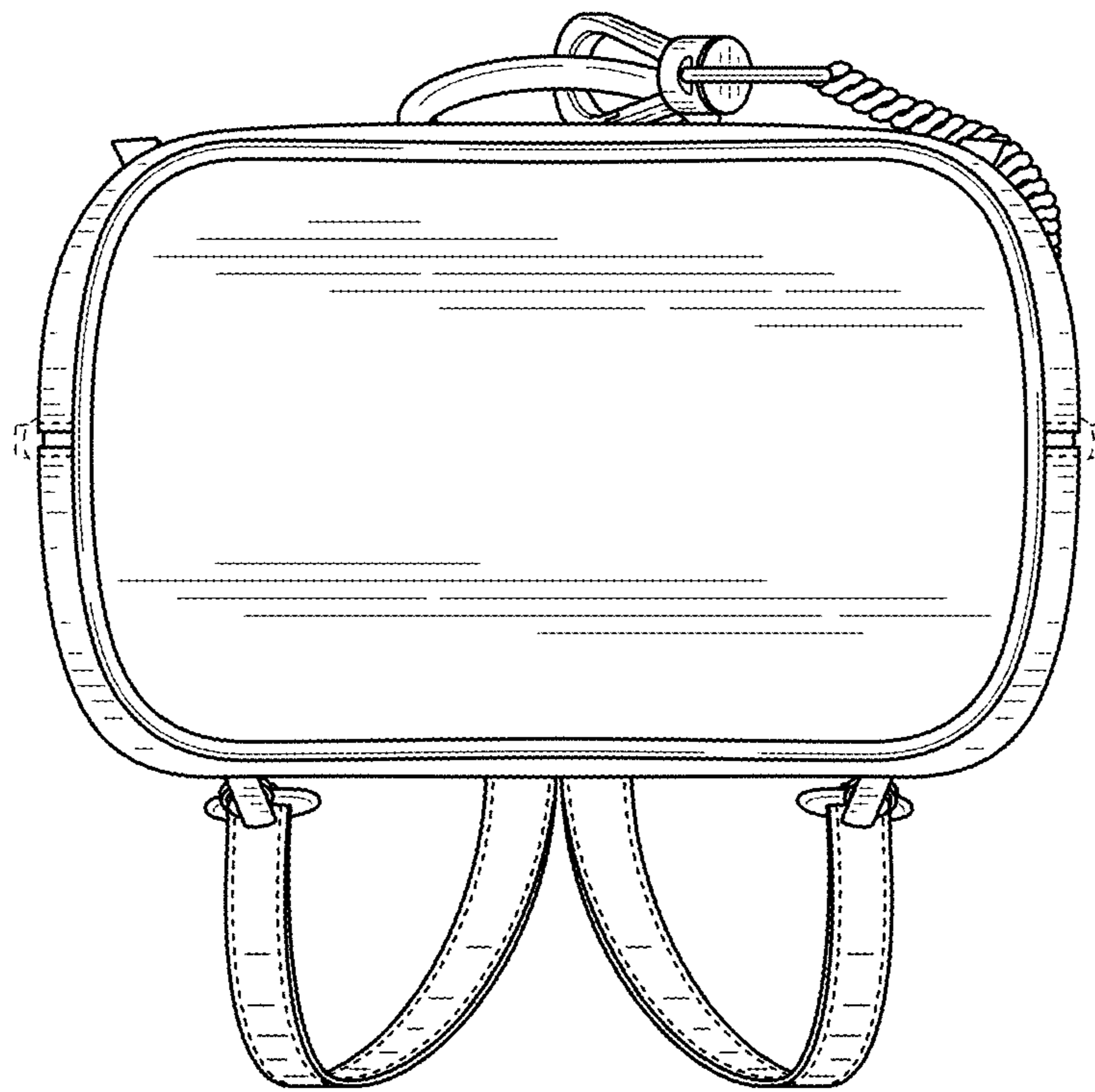


FIG. 15

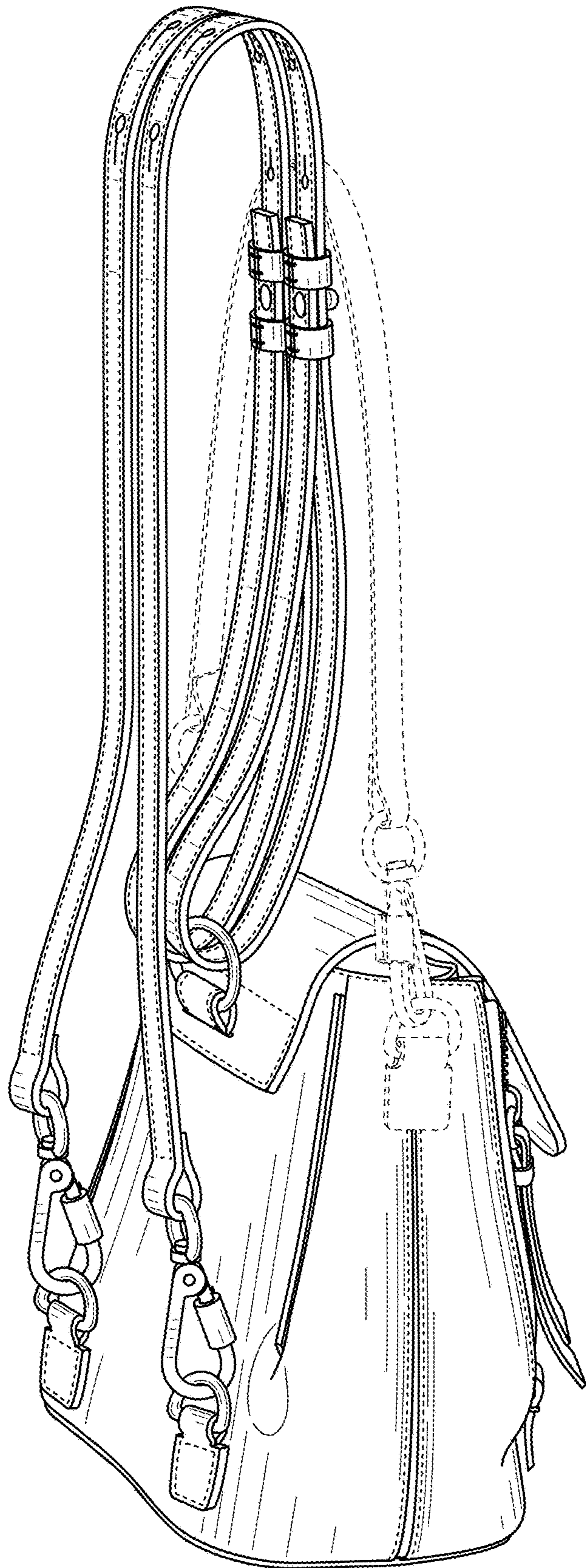


FIG. 16