



US00D843717S

(12) **United States Design Patent**
Morelli et al.

(10) **Patent No.:** **US D843,717 S**

(45) **Date of Patent:** **** Mar. 26, 2019**

(54) **HANDBAG WITHOUT STRAPPING**

(71) Applicant: **Stuart Weitzman IP, LLC**, Ft. Lauderdale, FL (US)

(72) Inventors: **Giovanni Morelli**, New York, NY (US); **Jane Choi**, New York, NY (US); **Lorenzo Pasetti**, New York, NY (US)

(73) Assignee: **STUART WEITZMAN IP, LLC**, Ft. Lauderdale, FL (US)

(**) Term: **15 Years**

(21) Appl. No.: **29/633,277**

(22) Filed: **Jan. 12, 2018**

(51) **LOC (11) Cl.** **03-01**

(52) **U.S. Cl.**
USPC **D3/232**

(58) **Field of Classification Search**
USPC D3/232–233, 240–243, 245–246
CPC A45C 1/024; A45C 3/06
See application file for complete search history.

(56) **References Cited**

U.S. PATENT DOCUMENTS

D131,562 S * 3/1942 Lewis D3/241
D381,506 S * 7/1997 Roeder D3/245
D630,844 S * 1/2011 Wang D3/232

D783,279 S * 4/2017 Sassi D3/245
D798,587 S * 10/2017 Heyman D3/232
D798,588 S * 10/2017 Heyman D3/232
D819,965 S * 6/2018 Scarmozzino D3/232
D821,745 S * 7/2018 Dumas D3/232

* cited by examiner

Primary Examiner — Holly H Baynham
(74) *Attorney, Agent, or Firm* — Gottlieb, Rackman & Reisman, P.C.

(57) **CLAIM**

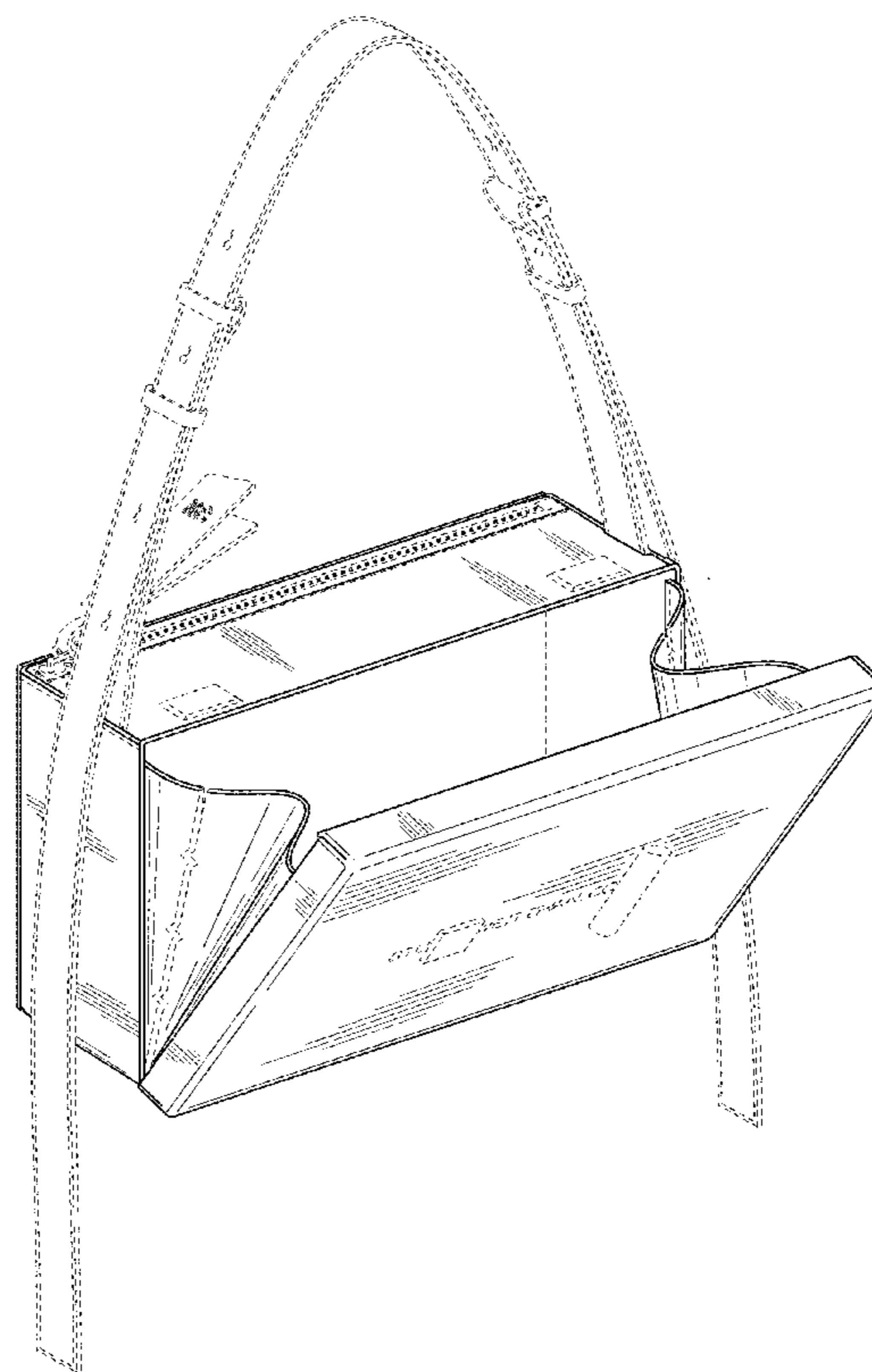
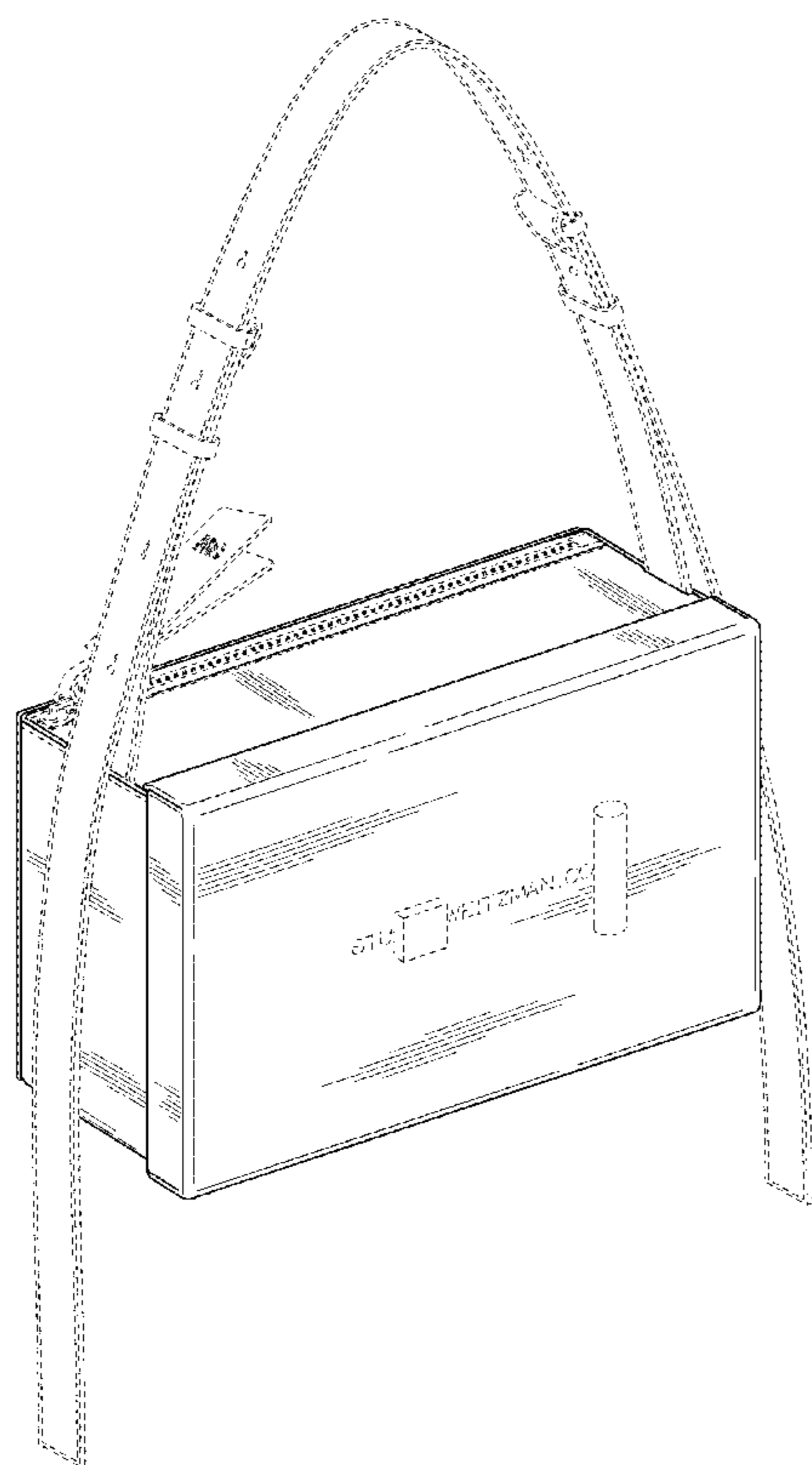
The ornamental design for a handbag without strapping, as shown.

DESCRIPTION

FIG. 1 is a perspective view of a handbag with strapping showing my design taken from a top left side; FIG. 2 is a front perspective view thereof; FIG. 3 is a rear perspective view thereof; FIG. 4 is a right perspective view thereof; FIG. 5 is a left perspective view thereof; FIG. 6 is a top perspective view thereof; FIG. 7 is a bottom perspective view thereof; and, FIG. 8 is perspective view thereof taken from a top left side and showing the handbag without strapping in an open position.

The broken lines showing stitching and portions of the handbag are for the purposes of illustrating environment and forms no part of the claimed design.

1 Claim, 8 Drawing Sheets



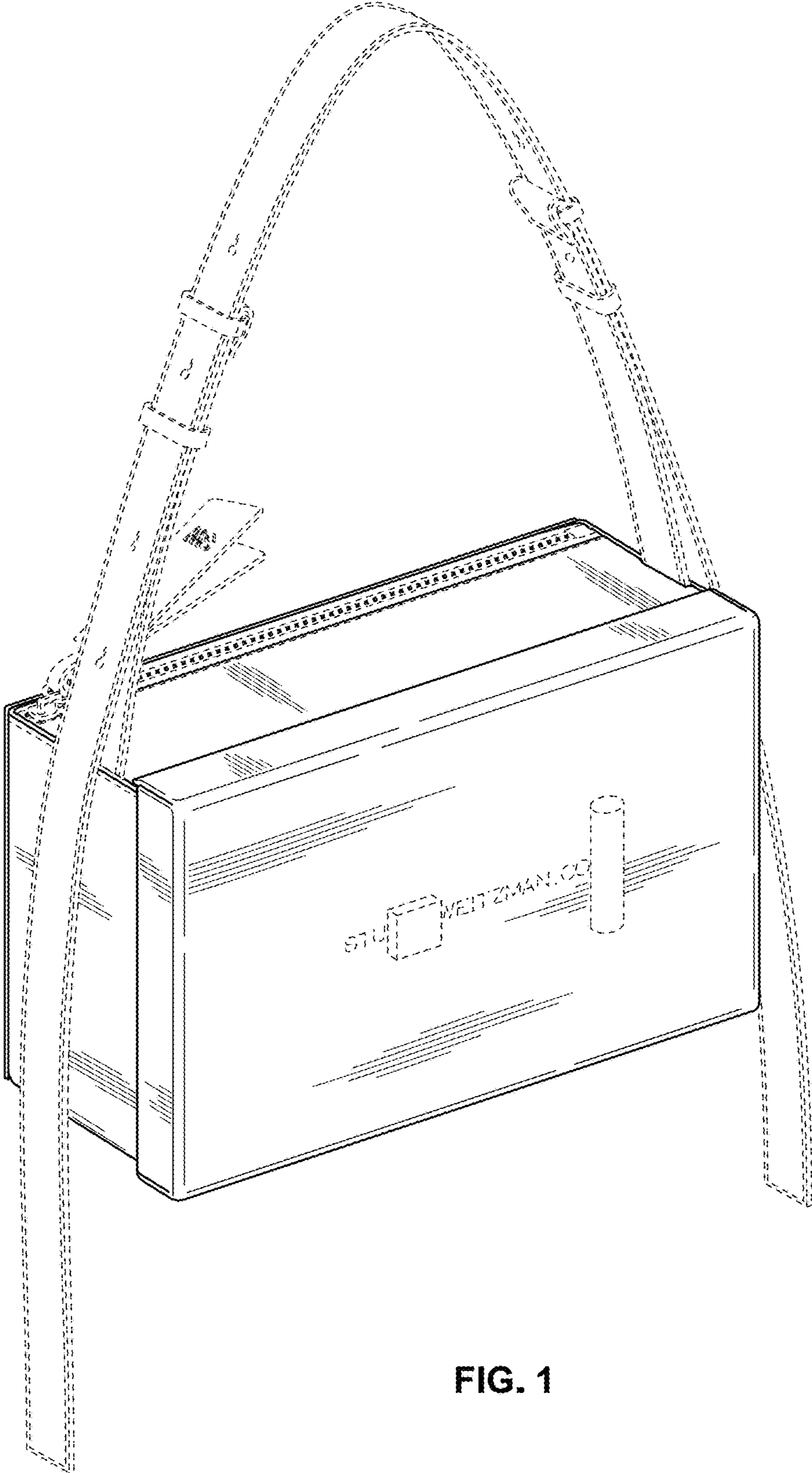


FIG. 1

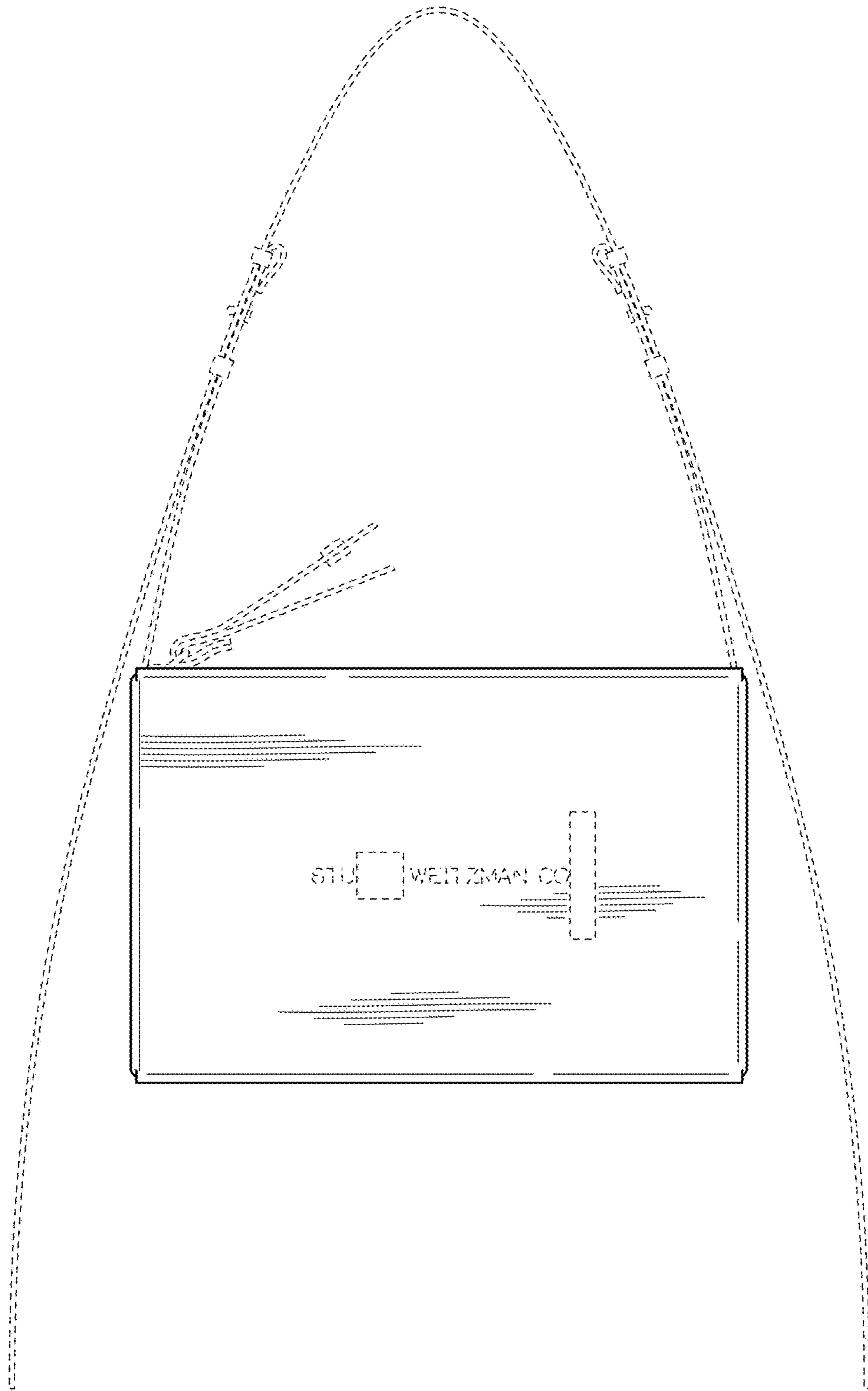


FIG. 2

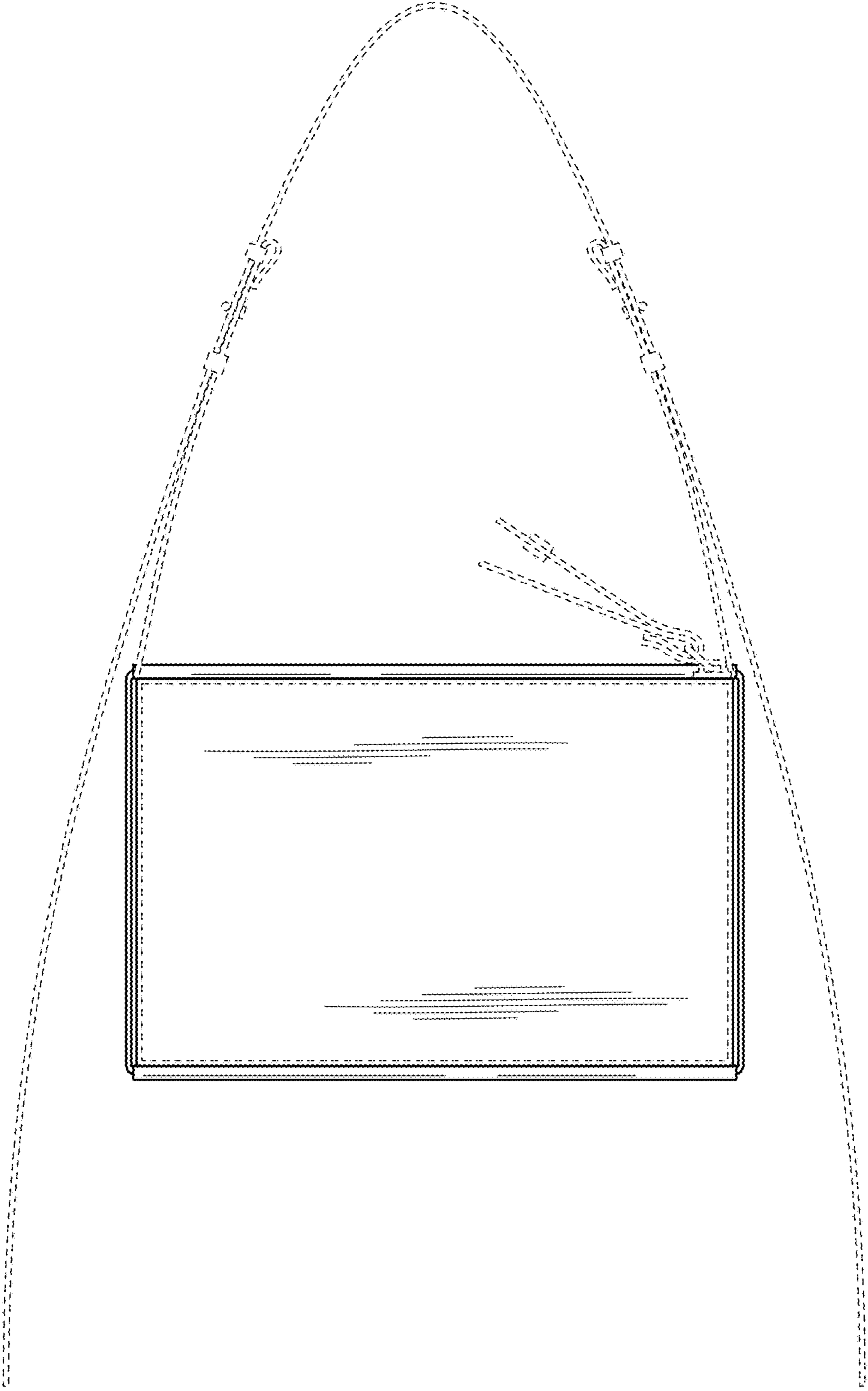


FIG. 3

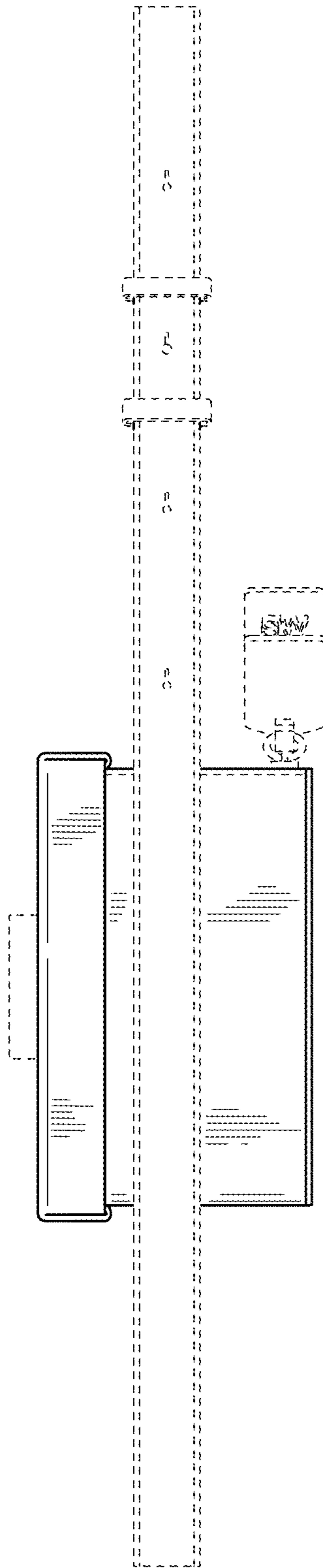


FIG. 4

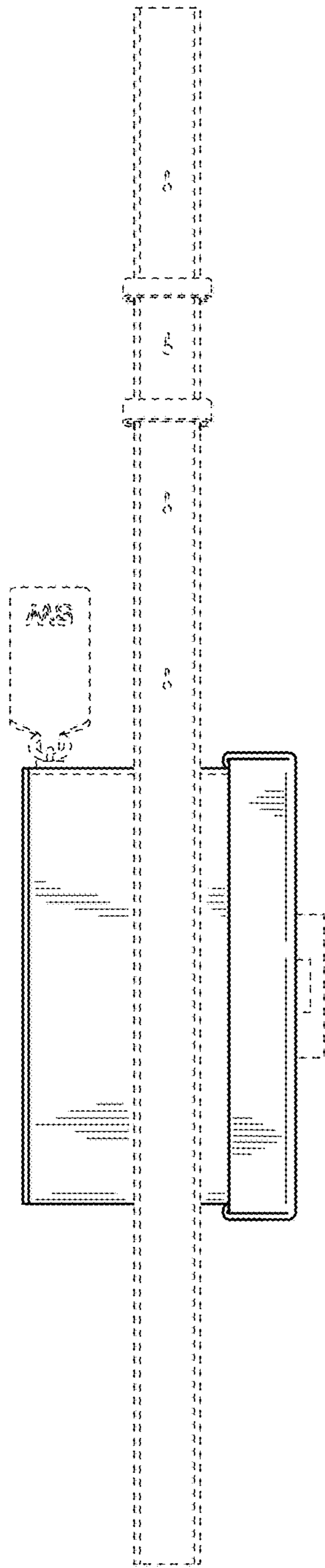


FIG. 5

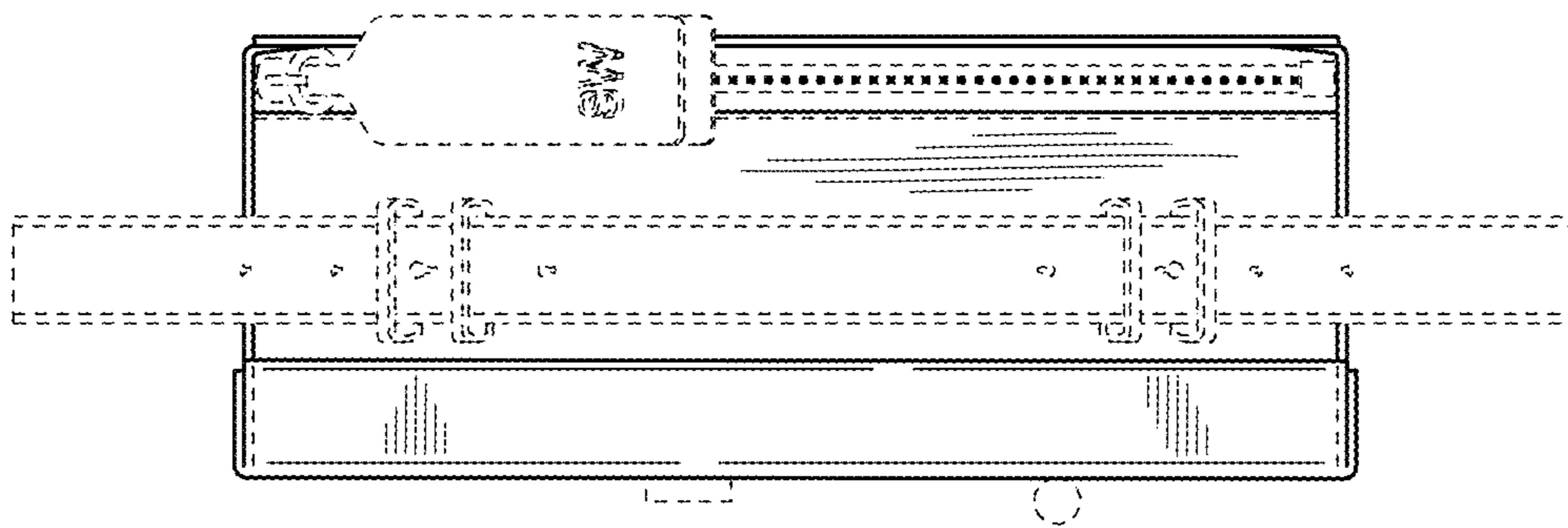


FIG. 6

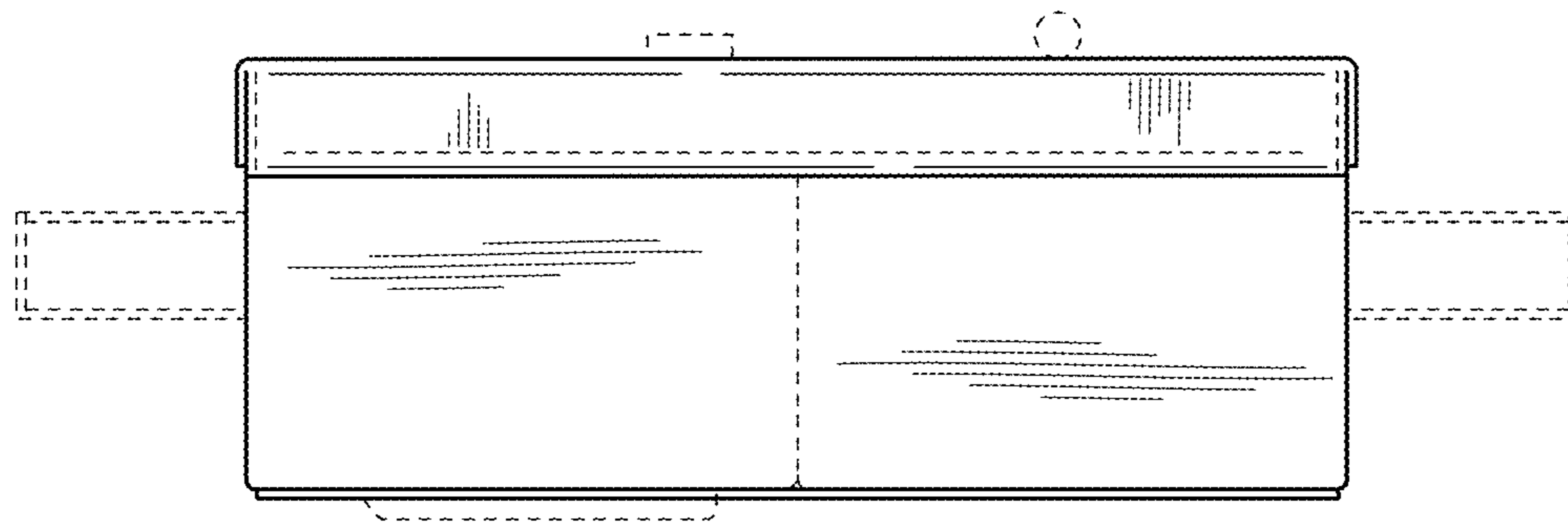


FIG. 7

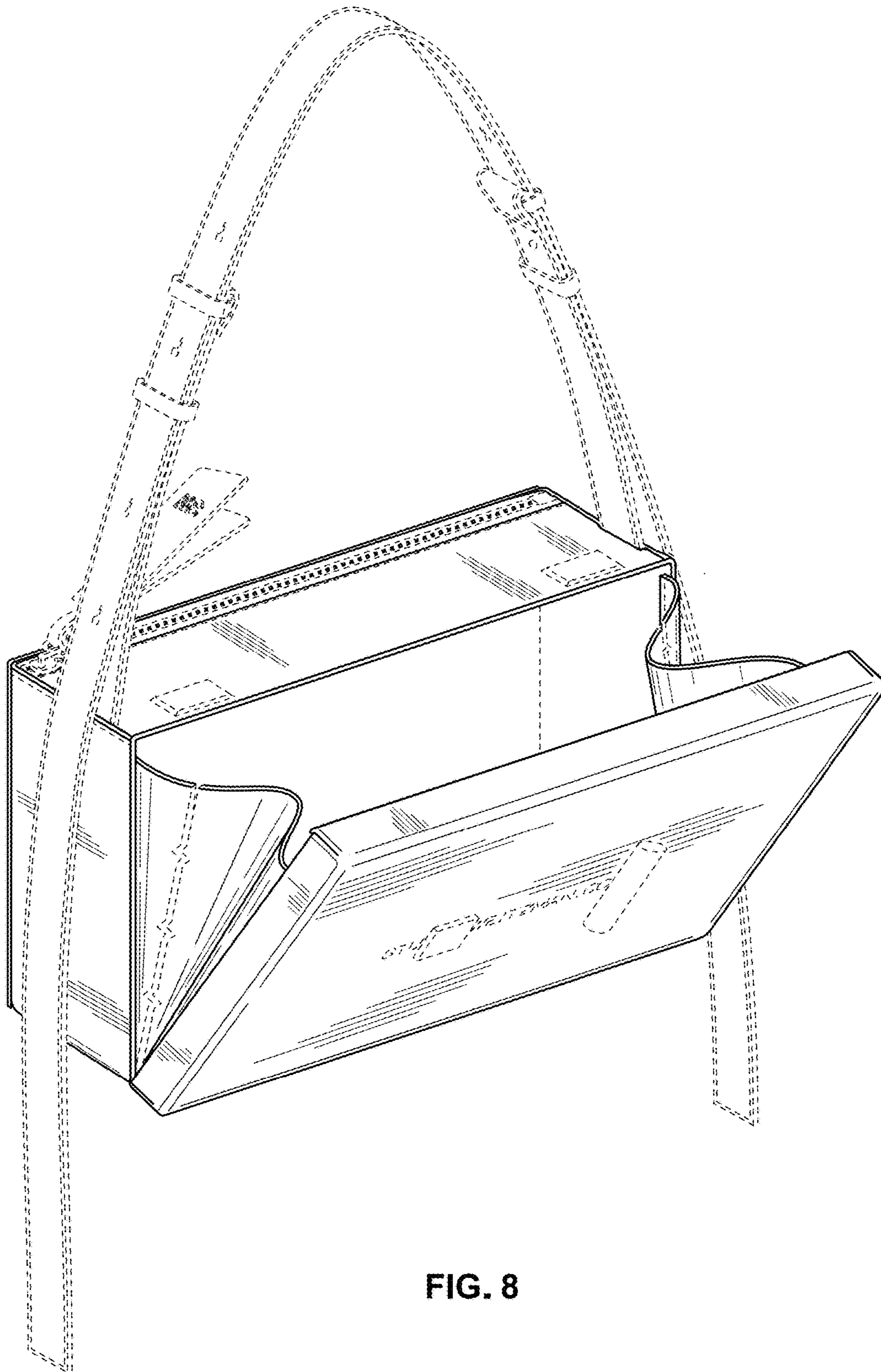


FIG. 8