



US00D843716S

(12) **United States Design Patent**
Morelli et al.

(10) **Patent No.:** **US D843,716 S**
(45) **Date of Patent:** **** Mar. 26, 2019**

- (54) **HANDBAG WITH STRAPPING**
- (71) Applicant: **Stuart Weitzman IP, LLC**, Ft. Lauderdale, FL (US)
- (72) Inventors: **Giovanni Morelli**, New York, NY (US); **Jane Choi**, New York, NY (US); **Lorenzo Pasetti**, New York, NY (US)
- (73) Assignee: **STUART WEITZMAN IP, LLC**, Ft. Lauderdale, FL (US)
- (**) Term: **15 Years**
- (21) Appl. No.: **29/633,265**
- (22) Filed: **Jan. 12, 2018**
- (51) **LOC (11) Cl.** **03-01**
- (52) **U.S. Cl.**
USPC **D3/232**
- (58) **Field of Classification Search**
USPC D3/232–233, 240–243, 245–246
CPC A45C 1/024; A45C 3/06
See application file for complete search history.

- D798,588 S * 10/2017 Heyman D3/232
- D819,965 S * 6/2018 Scarmozzino D3/232
- D821,745 S * 7/2018 Dumas D3/232

* cited by examiner

Primary Examiner — Holly H Baynham
(74) *Attorney, Agent, or Firm* — Gottlieb, Rackman & Reisman, P.C.

(57) **CLAIM**

The ornamental design for a handbag with strapping, as shown.

DESCRIPTION

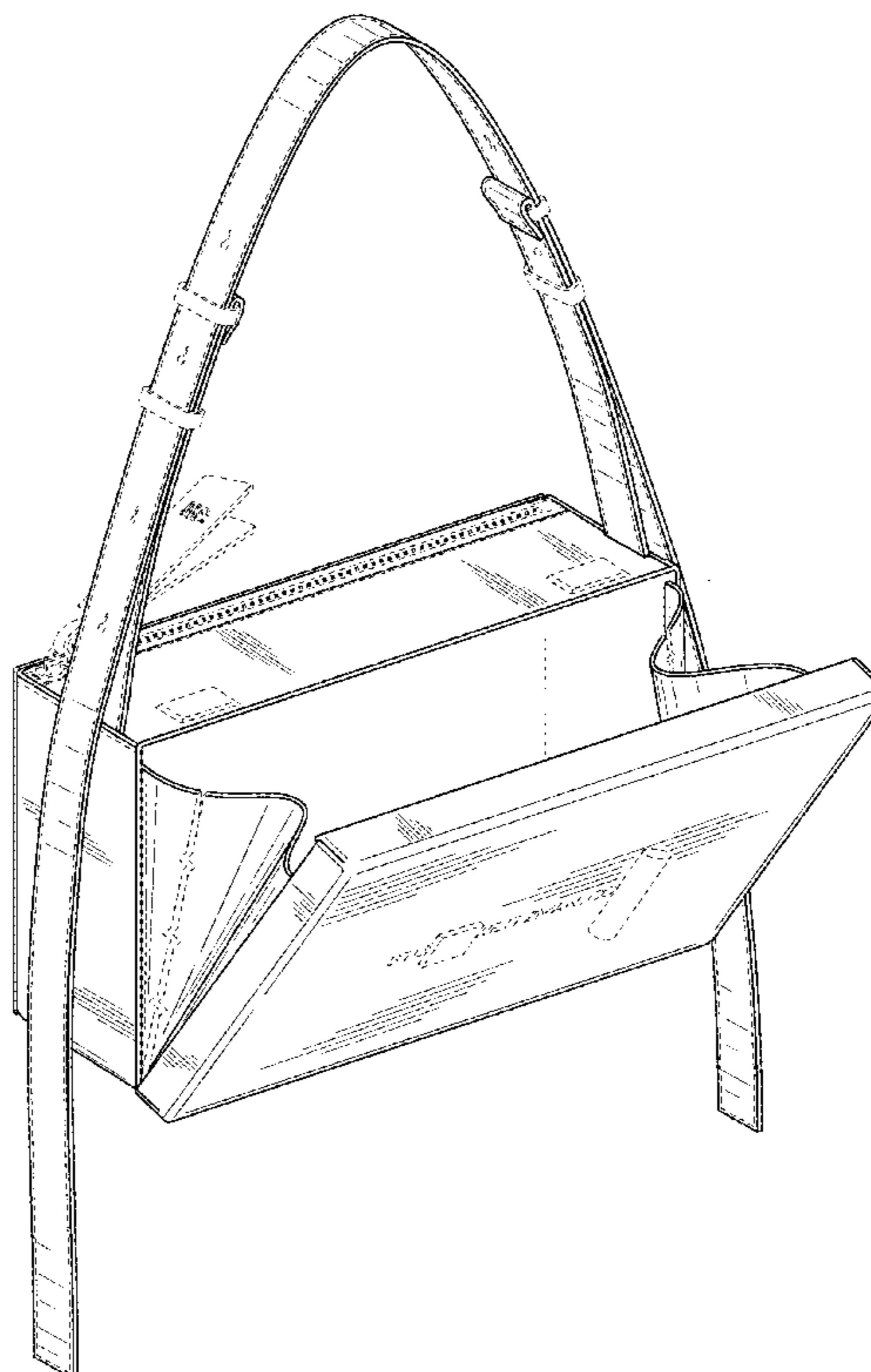
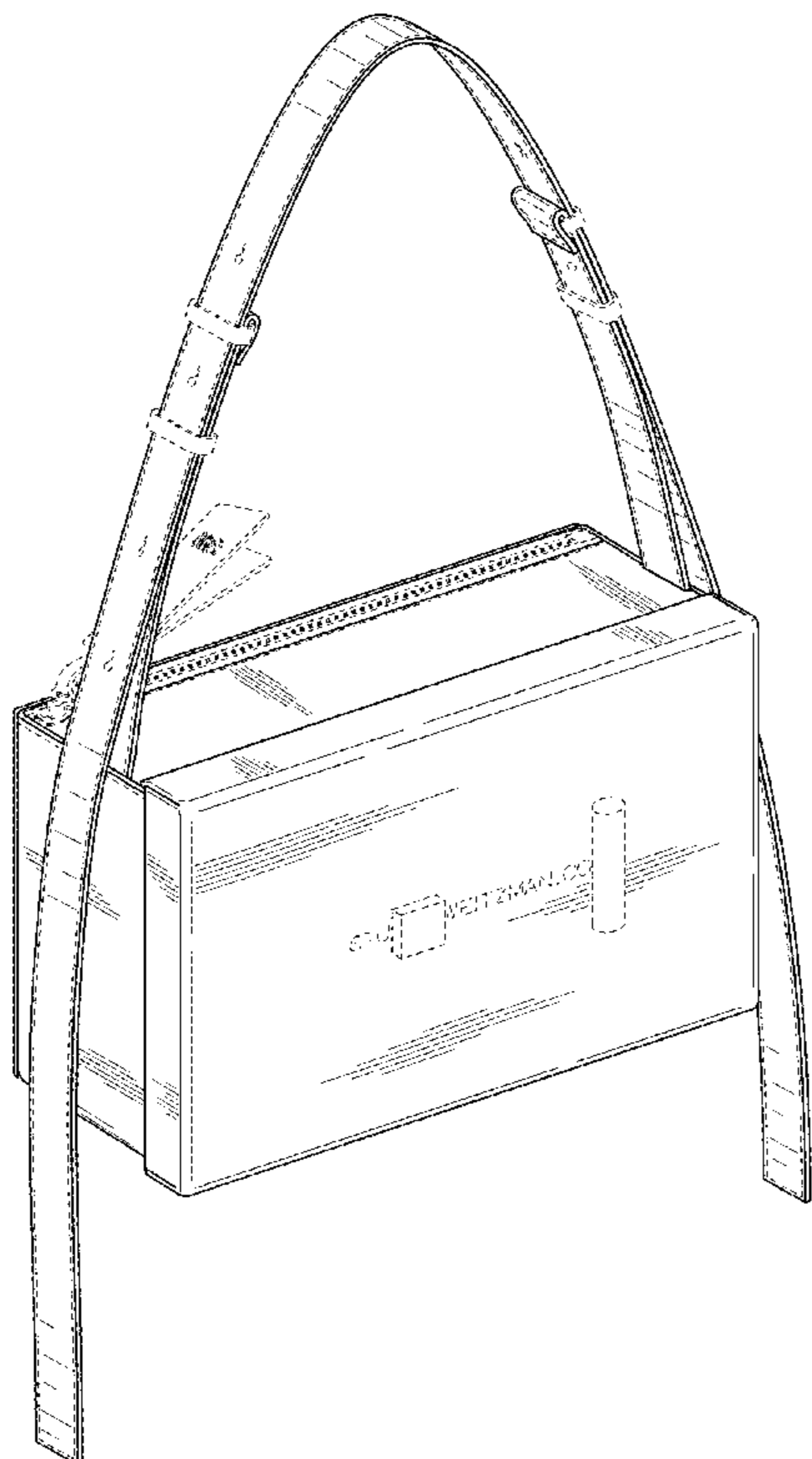
FIGS. 1-8 show an embodiment of the handbag with strapping of my design;
 FIG. 1 is a perspective view of a handbag with strapping showing my design taken from a top left side;
 FIG. 2 is a front perspective view thereof;
 FIG. 3 is a rear perspective view thereof;
 FIG. 4 is a right perspective view thereof;
 FIG. 5 is a left perspective view thereof;
 FIG. 6 is a top perspective view thereof;
 FIG. 7 is a bottom perspective view thereof; and,
 FIG. 8 is perspective view thereof taken from a top left side and showing the handbag with strapping in an open position. The broken lines showing stitching and portions of the handbag are for the purposes of illustrating environment and forms no part of the claimed design.

1 Claim, 8 Drawing Sheets

(56) **References Cited**

U.S. PATENT DOCUMENTS

- D131,562 S * 3/1942 Lewis D3/241
- D381,506 S * 7/1997 Roeder D3/245
- D630,844 S * 1/2011 Wang D3/232
- D783,279 S * 4/2017 Sassi D3/245
- D798,587 S * 10/2017 Heyman D3/232



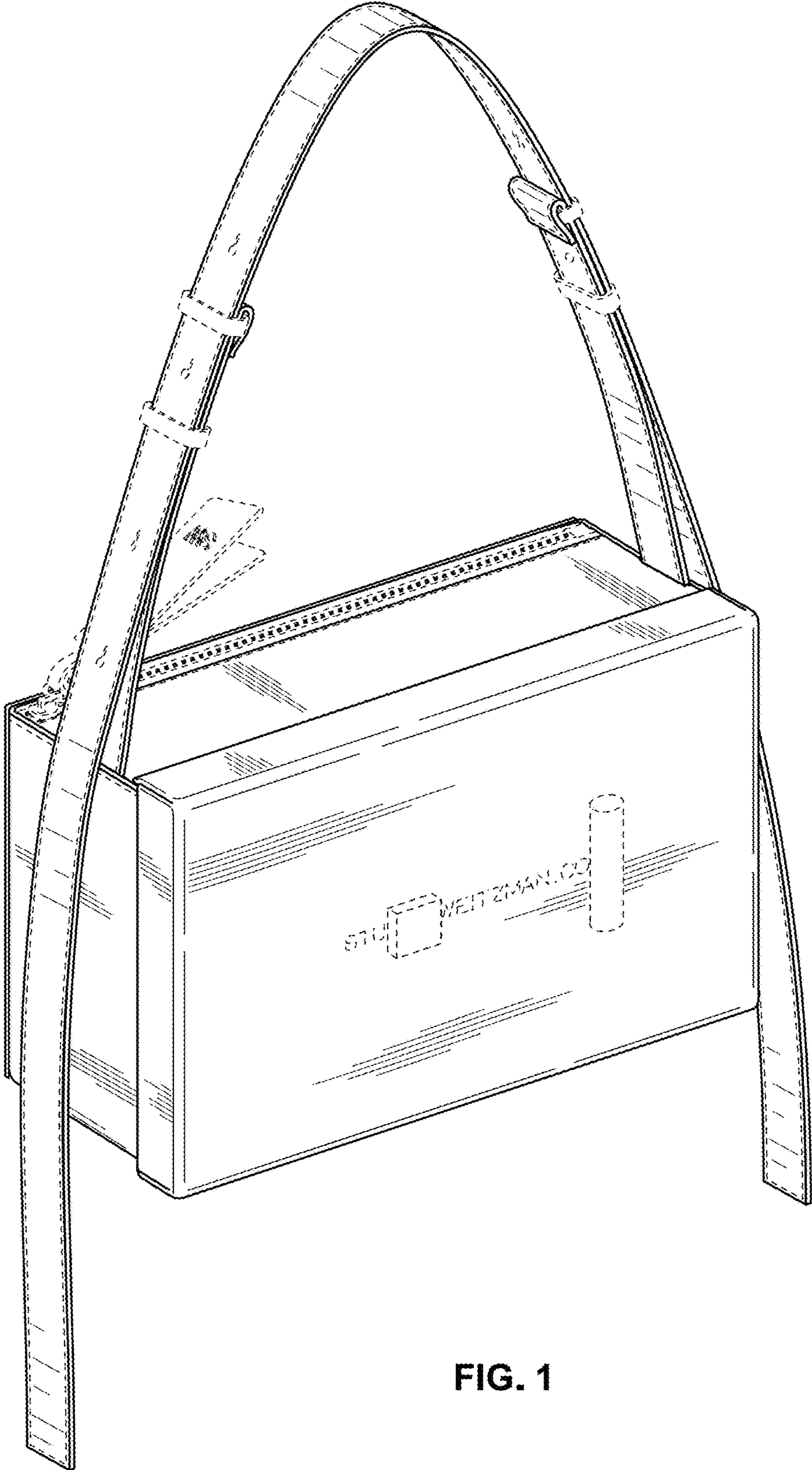


FIG. 1

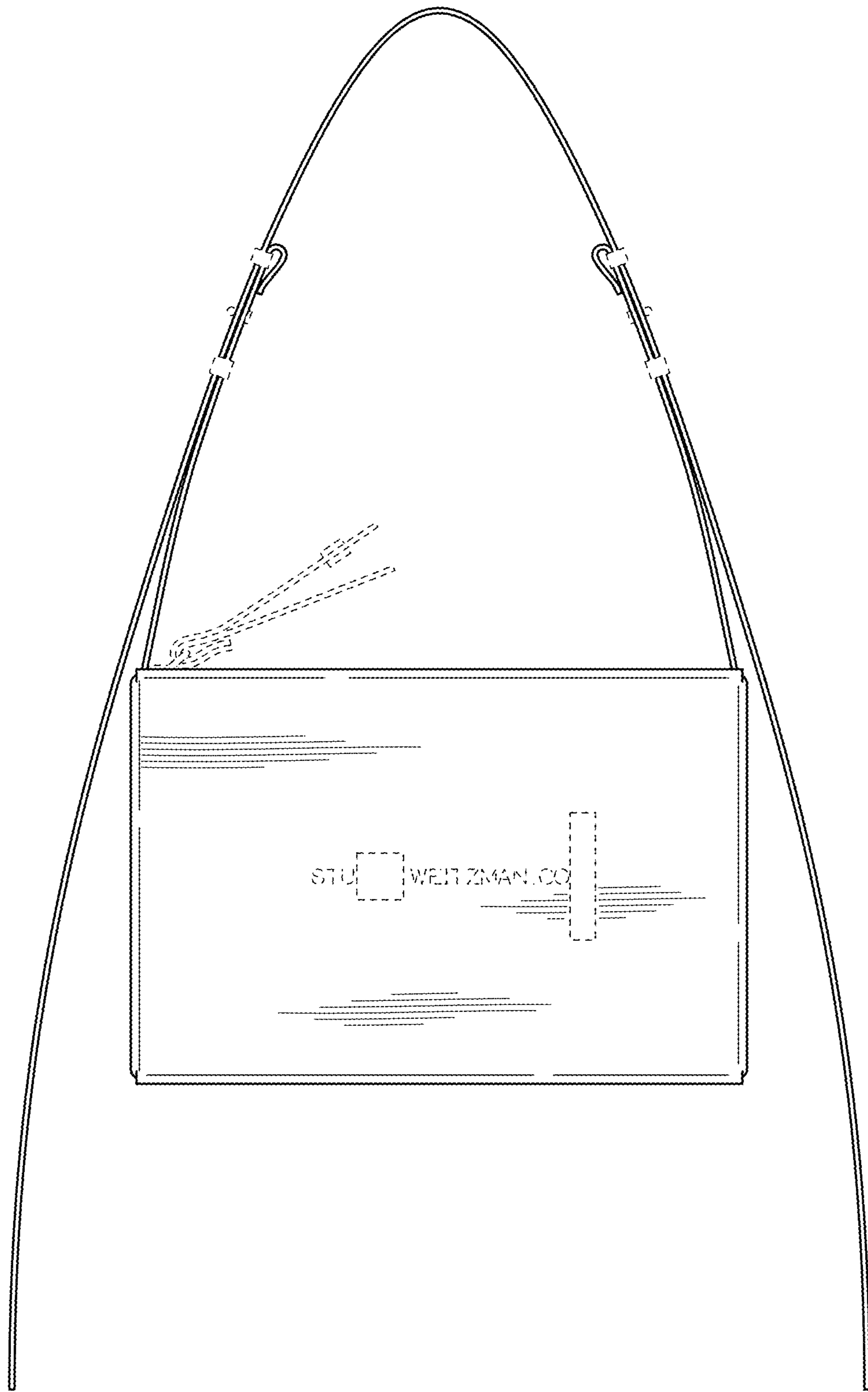


FIG. 2

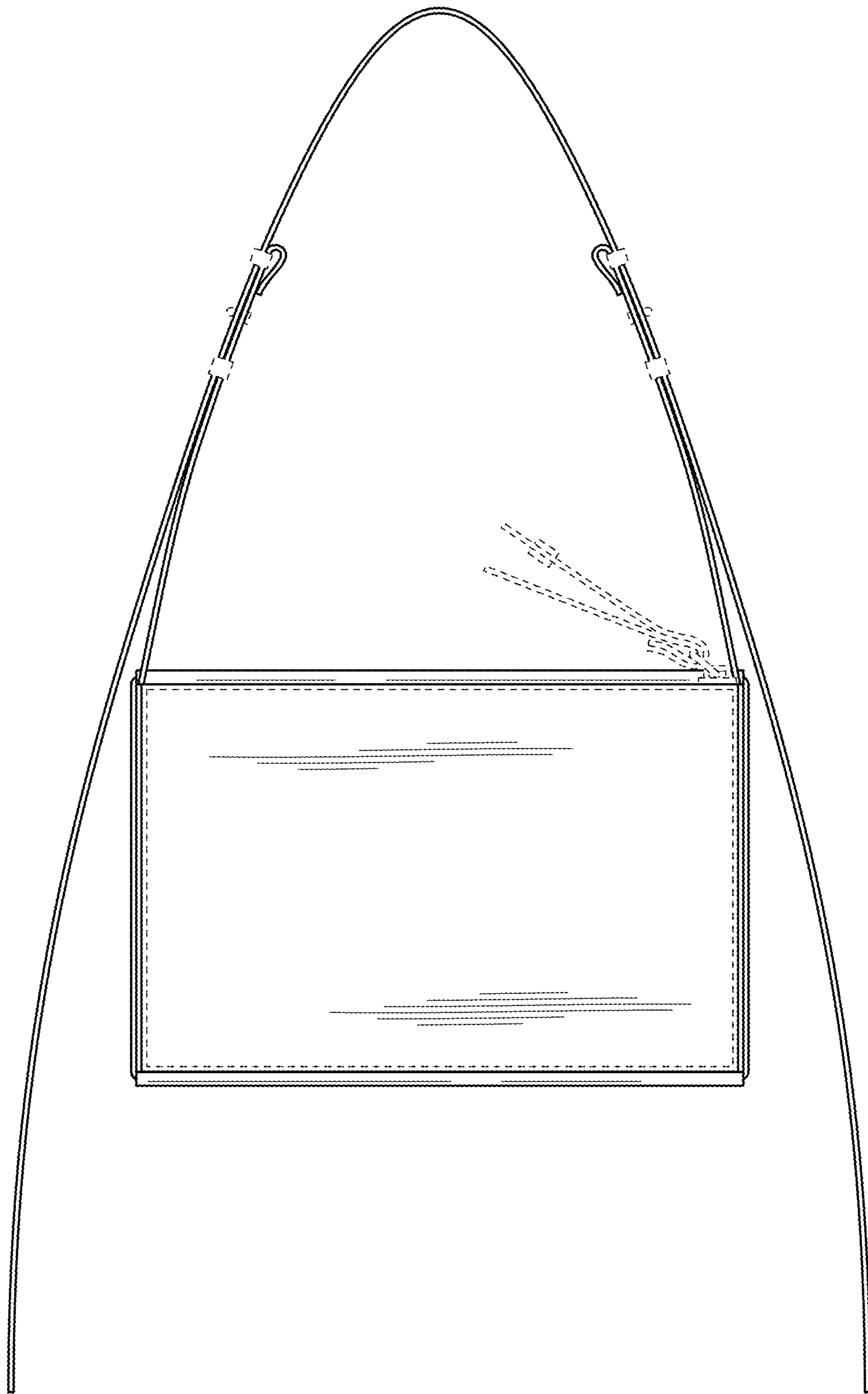


FIG. 3

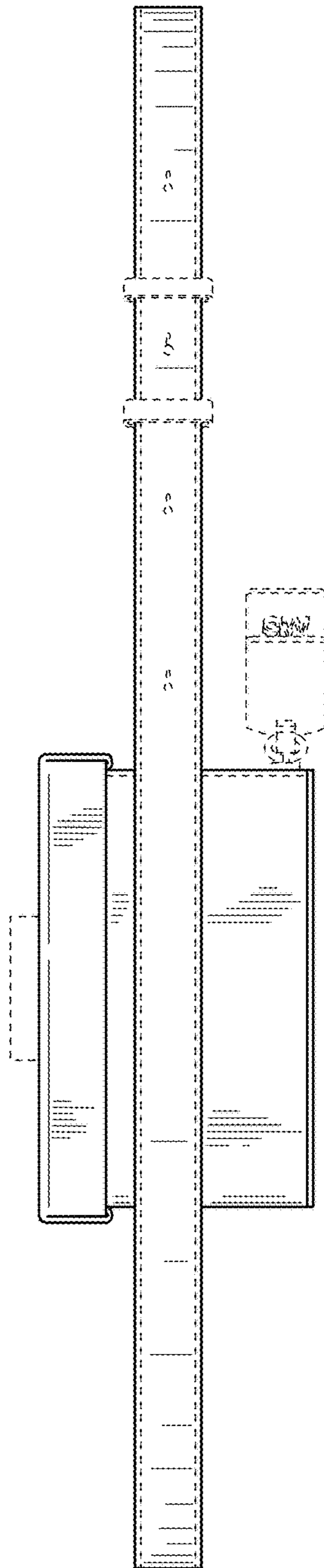


FIG. 4

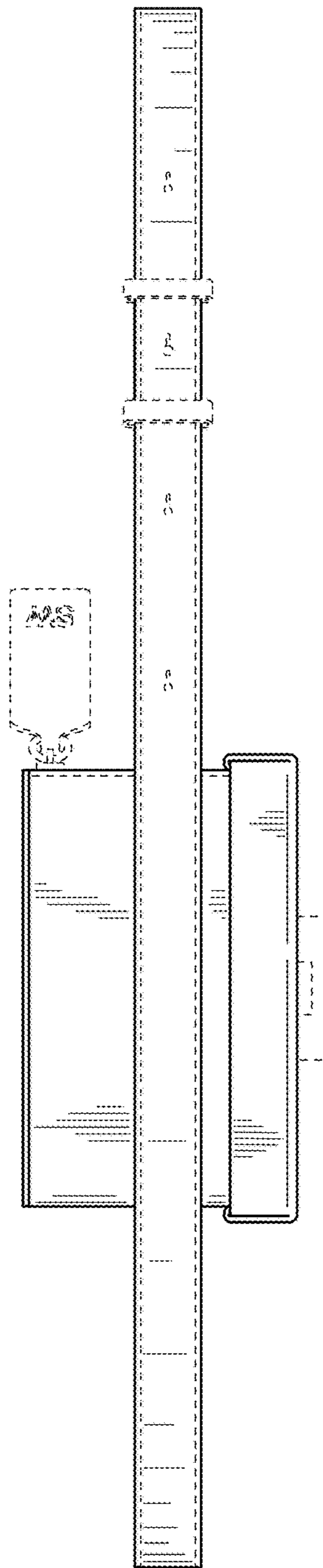


FIG. 5

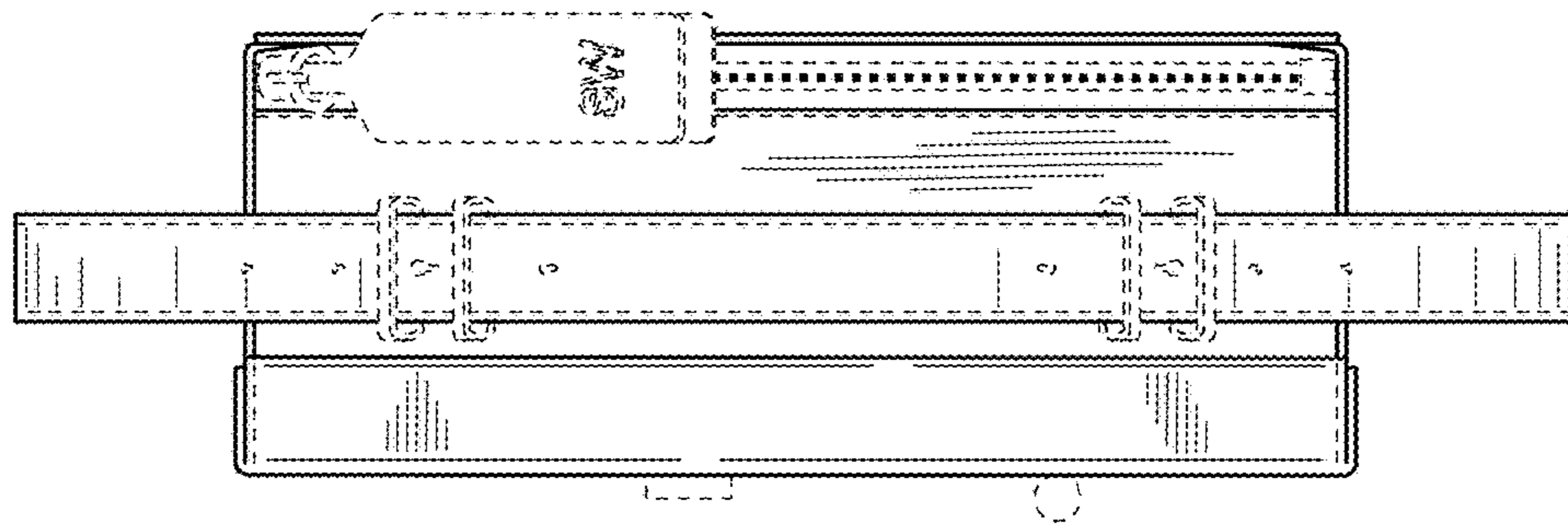


FIG. 6

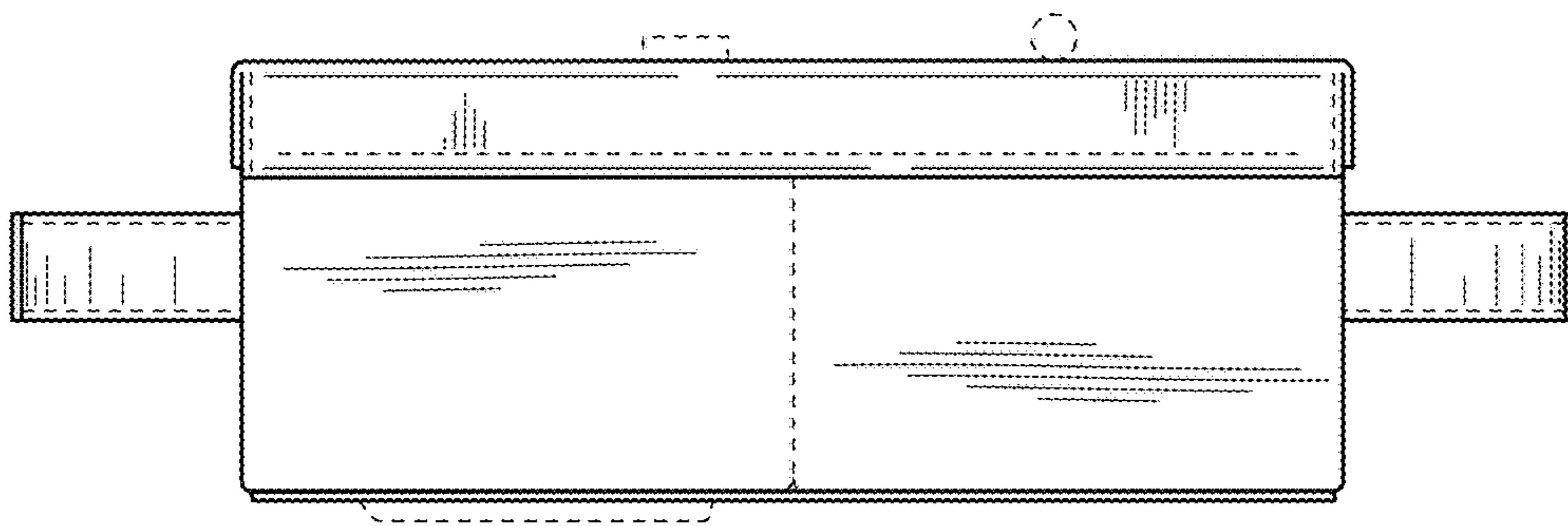


FIG. 7

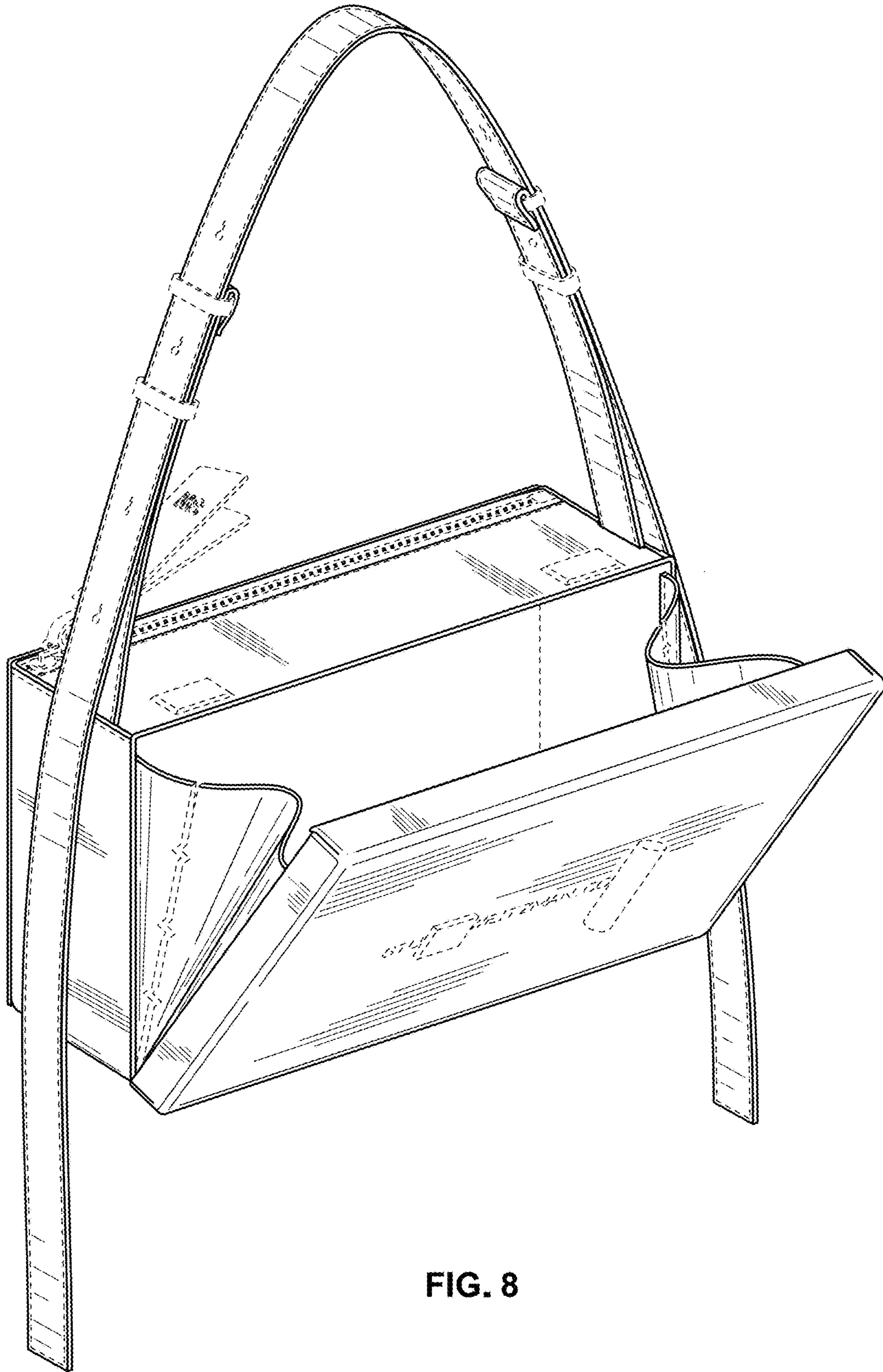


FIG. 8