

US00D843711S

(12) **United States Design Patent**  
**Paterson**

(10) **Patent No.:** **US D843,711 S**

(45) **Date of Patent:** **\*\* Mar. 26, 2019**

(54) **PICK HOLDER**

(71) Applicant: **Robert Bruce Paterson**, Tenafly, NJ  
(US)

(72) Inventor: **Robert Bruce Paterson**, Tenafly, NJ  
(US)

(\*\*) Term: **15 Years**

(21) Appl. No.: **29/621,375**

(22) Filed: **Oct. 6, 2017**

(51) **LOC (11) Cl.** ..... **03-01**

(52) **U.S. Cl.**  
USPC ..... **D3/215**

(58) **Field of Classification Search**  
USPC ..... D3/201, 204, 215; D17/20  
CPC ..... G10D 3/163  
See application file for complete search history.

(56) **References Cited**

U.S. PATENT DOCUMENTS

4,785,708	A *	11/1988	Vaughan	.....	G10D 3/163 84/322
4,875,708	A	10/1989	Sremba et al.		
D309,674	S *	8/1990	Gervase	.....	224/247
5,231,238	A *	7/1993	Adams	.....	G10D 3/163 84/329
5,796,021	A *	8/1998	Longshore	.....	G10D 3/163 84/329
6,140,564	A *	10/2000	Pia	.....	G10D 3/163 84/320
6,215,052	B1 *	4/2001	Giddens	.....	G10D 3/163 211/120
6,315,698	B1 *	11/2001	Barber	.....	A63B 23/16 482/44
6,933,430	B2 *	8/2005	Oskorep	.....	G10D 3/163 84/320
7,417,184	B2 *	8/2008	Weathersby	.....	G10D 3/163 84/322

7,626,103	B1 *	12/2009	Phillips	.....	G10D 3/163 84/320
D697,707	S *	1/2014	Surabian	.....	D3/204
D707,287	S *	6/2014	Thomas	.....	D17/20
8,742,239	B1 *	6/2014	Storck	.....	G10D 3/163 84/320

(Continued)

*Primary Examiner* — Mitchell I. Siegel

(74) *Attorney, Agent, or Firm* — Garcia-Zamor IP Law;  
Ruy M. Garcia-Zamor

(57) **CLAIM**

The ornamental design for a pick holder, as shown and described.

**DESCRIPTION**

FIG. 1 is a front and right side perspective view of a pick holder according to a preferred embodiment of the present invention;

FIG. 2 is a rear and left side perspective view of the pick holder of FIG. 1;

FIG. 3 is a front side elevational view of the pick holder of FIG. 1;

FIG. 4 is a left side elevational view of the pick holder of FIG. 1;

FIG. 5 is a right side elevational of the pick holder of FIG. 1;

FIG. 6 is a rear elevational view of the pick holder of FIG. 1;

FIG. 7 is a top plan view of the pick holder of FIG. 1;

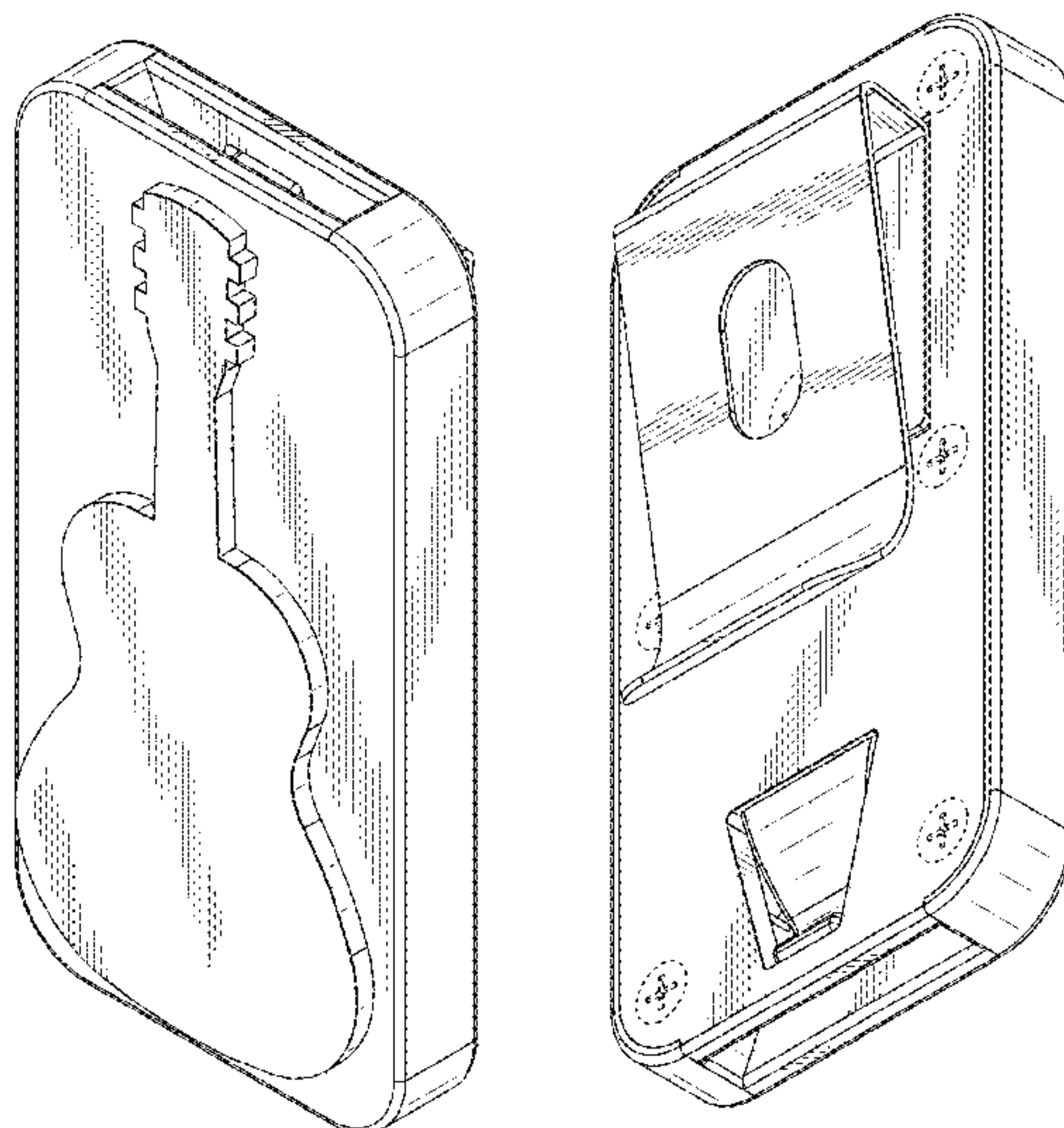
FIG. 8 is a bottom plan view of the pick holder of FIG. 1;

FIG. 9 is a top perspective view of the pick holder of FIG. 1; and,

FIG. 10 is a front and left side perspective view of a pick holder of FIG. 1.

The broken line showing of FIGS. 2, 6 and 10 is included for the purpose of illustrating unclaimed environment and forms no part of the claimed design.

**1 Claim, 5 Drawing Sheets**



(56)

**References Cited**

U.S. PATENT DOCUMENTS

D712,454 S *	9/2014	Koster .....	G10D 3/163
			D17/20
9,018,502 B2	4/2015	Aletto	
9,418,633 B1 *	8/2016	Storck .....	G10D 3/163
D805,295 S *	12/2017	Paterson .....	D3/215
10,043,495 B1 *	8/2018	Paterson .....	G10D 3/163
2017/0178605 A1 *	6/2017	Paterson .....	G10D 3/163

\* cited by examiner

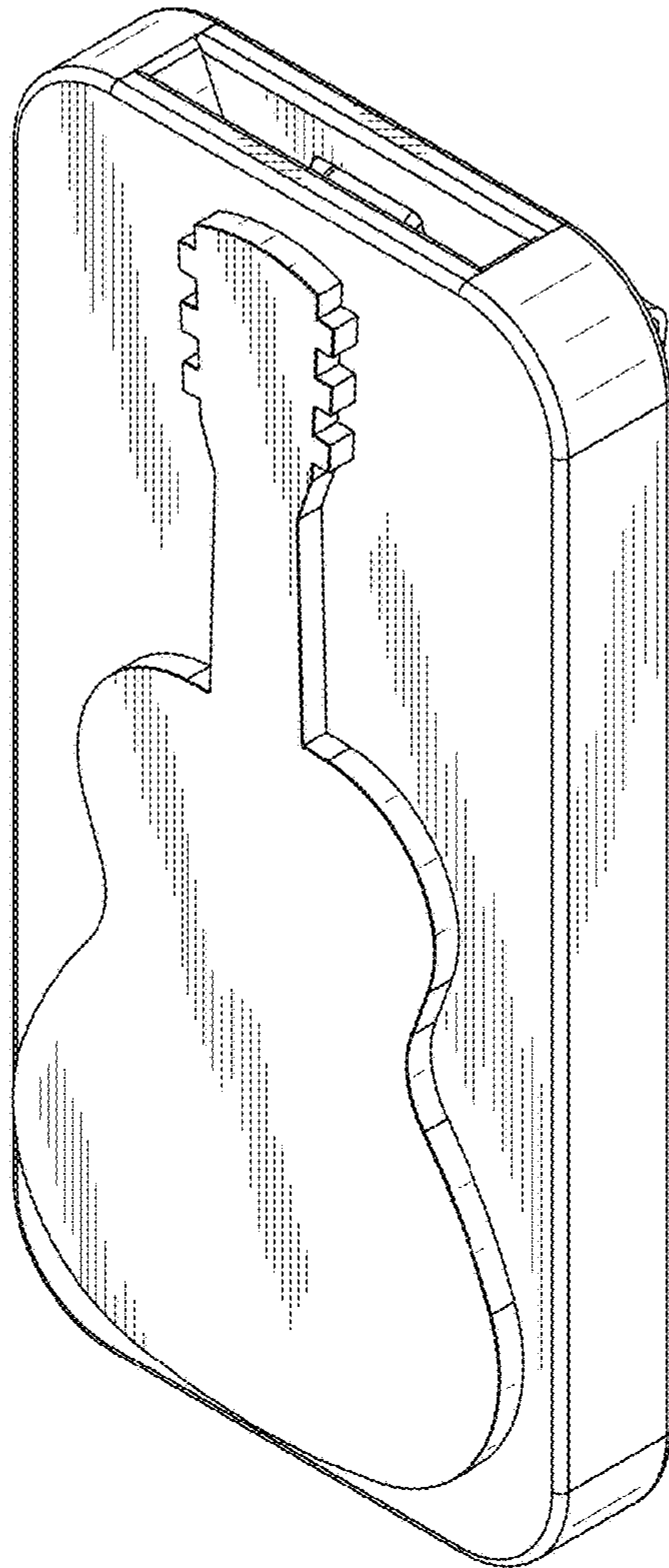


FIG. 1

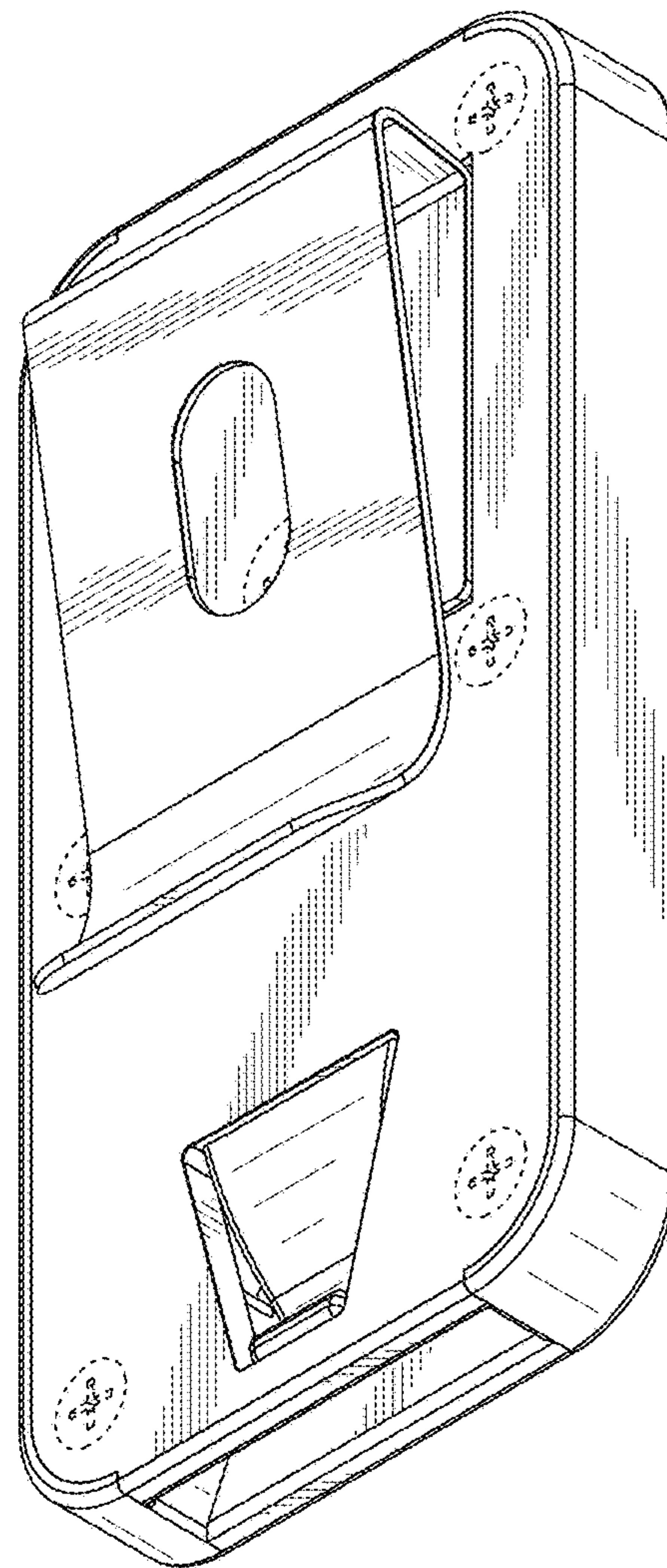


FIG. 2



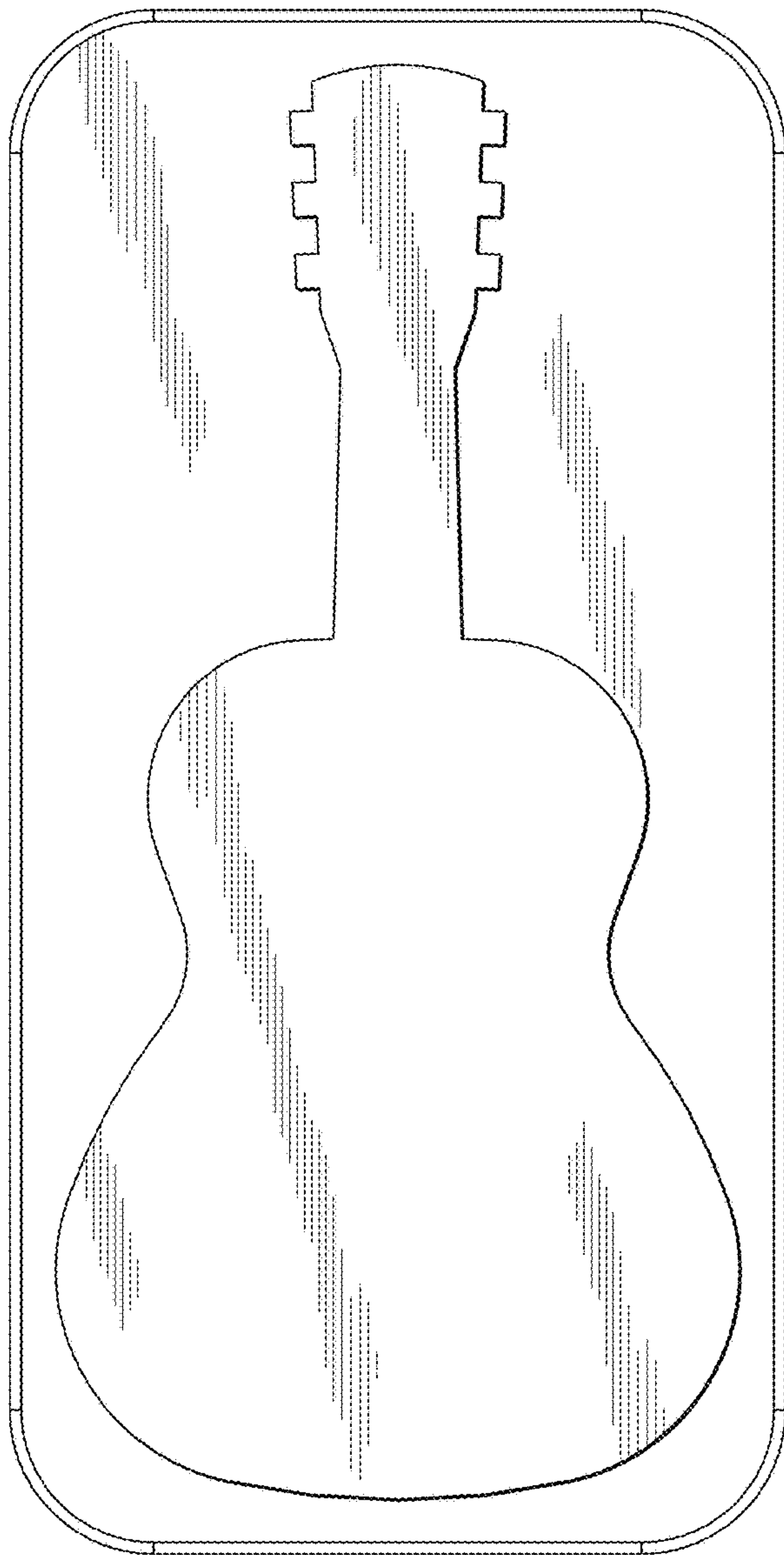


FIG. 3

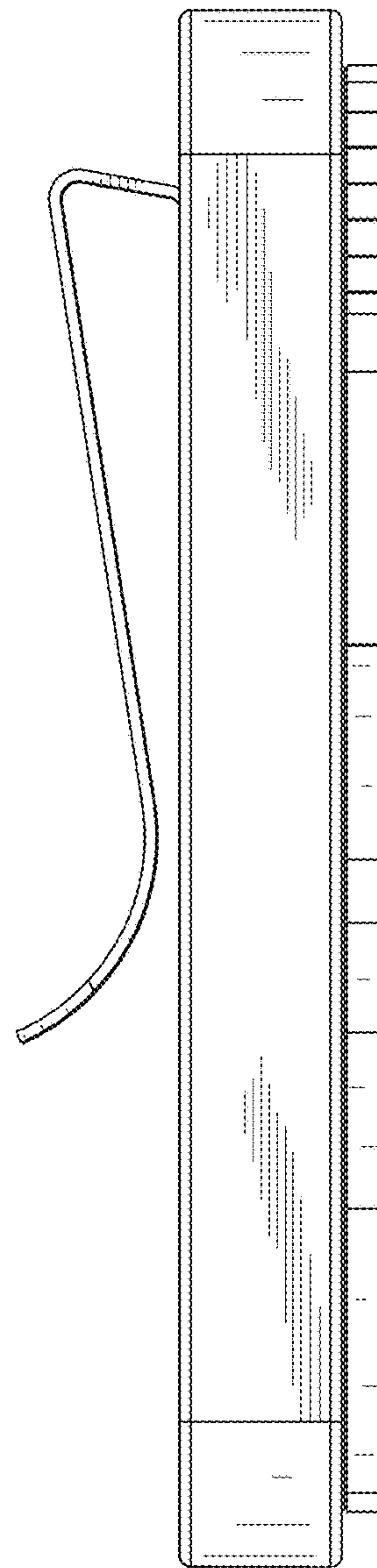


FIG. 4

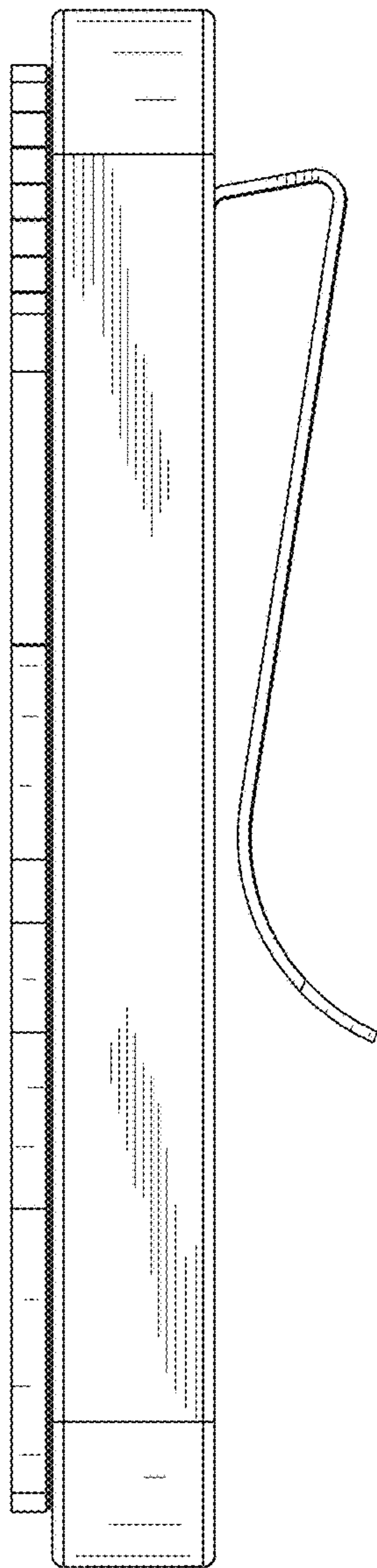


FIG. 5

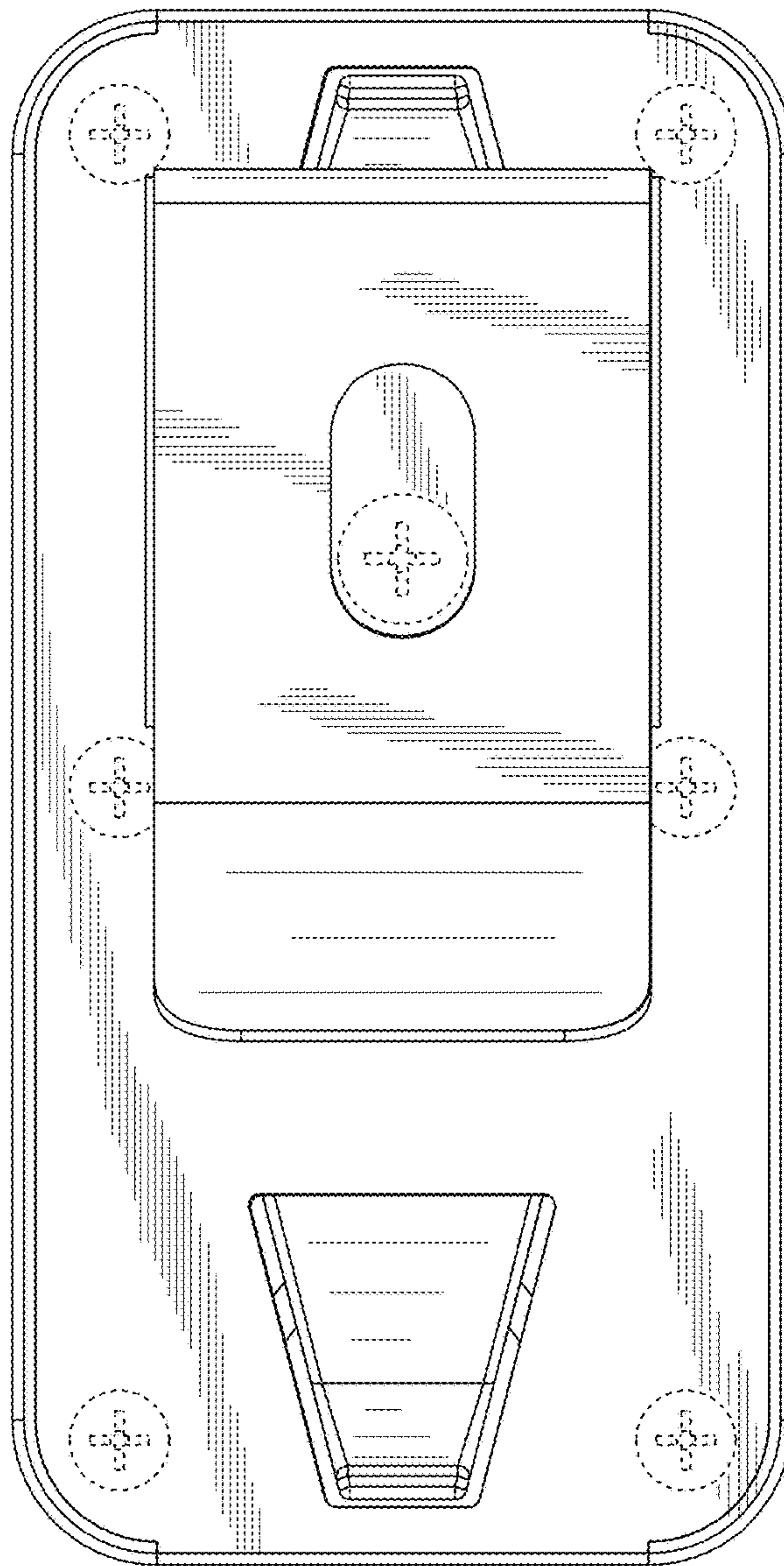


FIG. 6

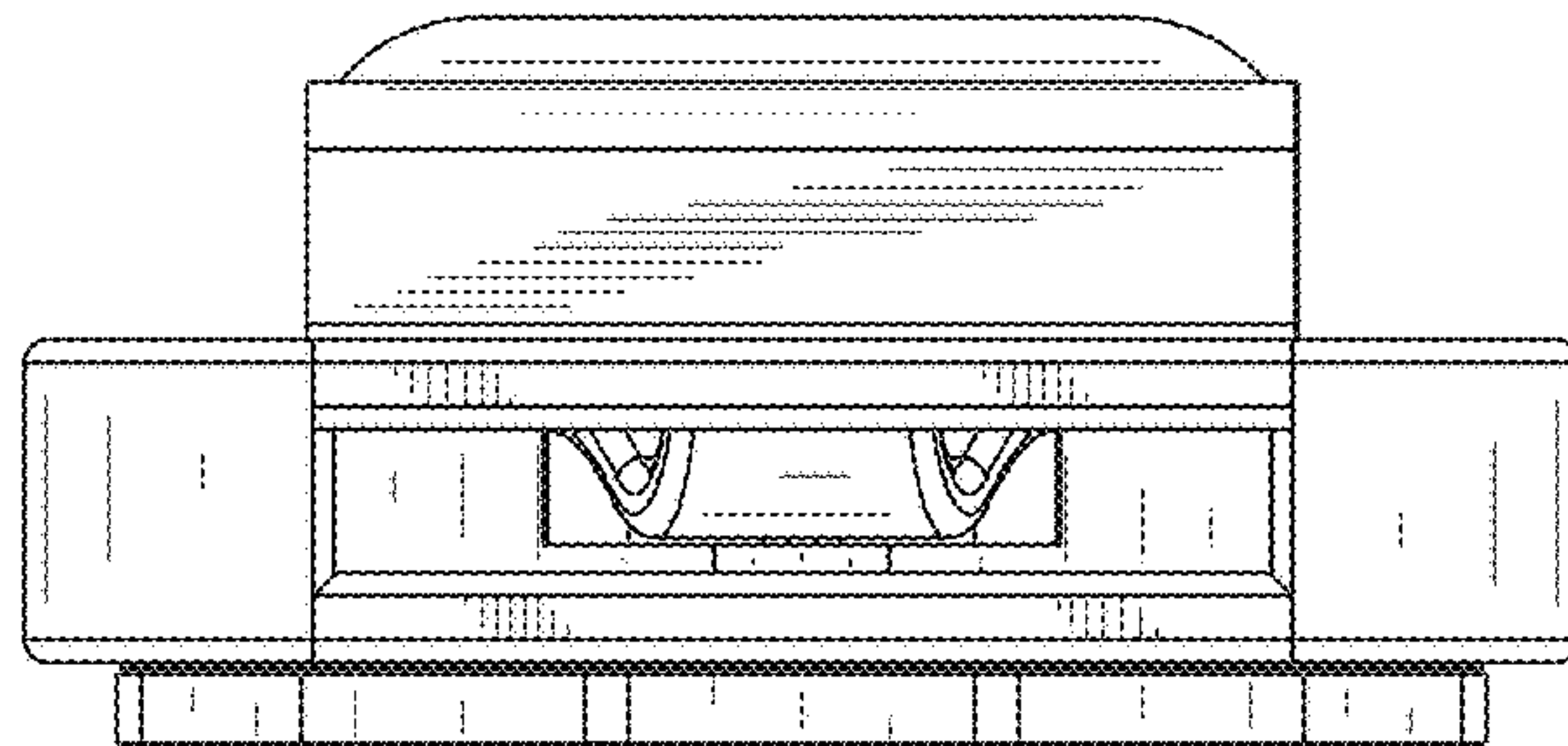


FIG. 7

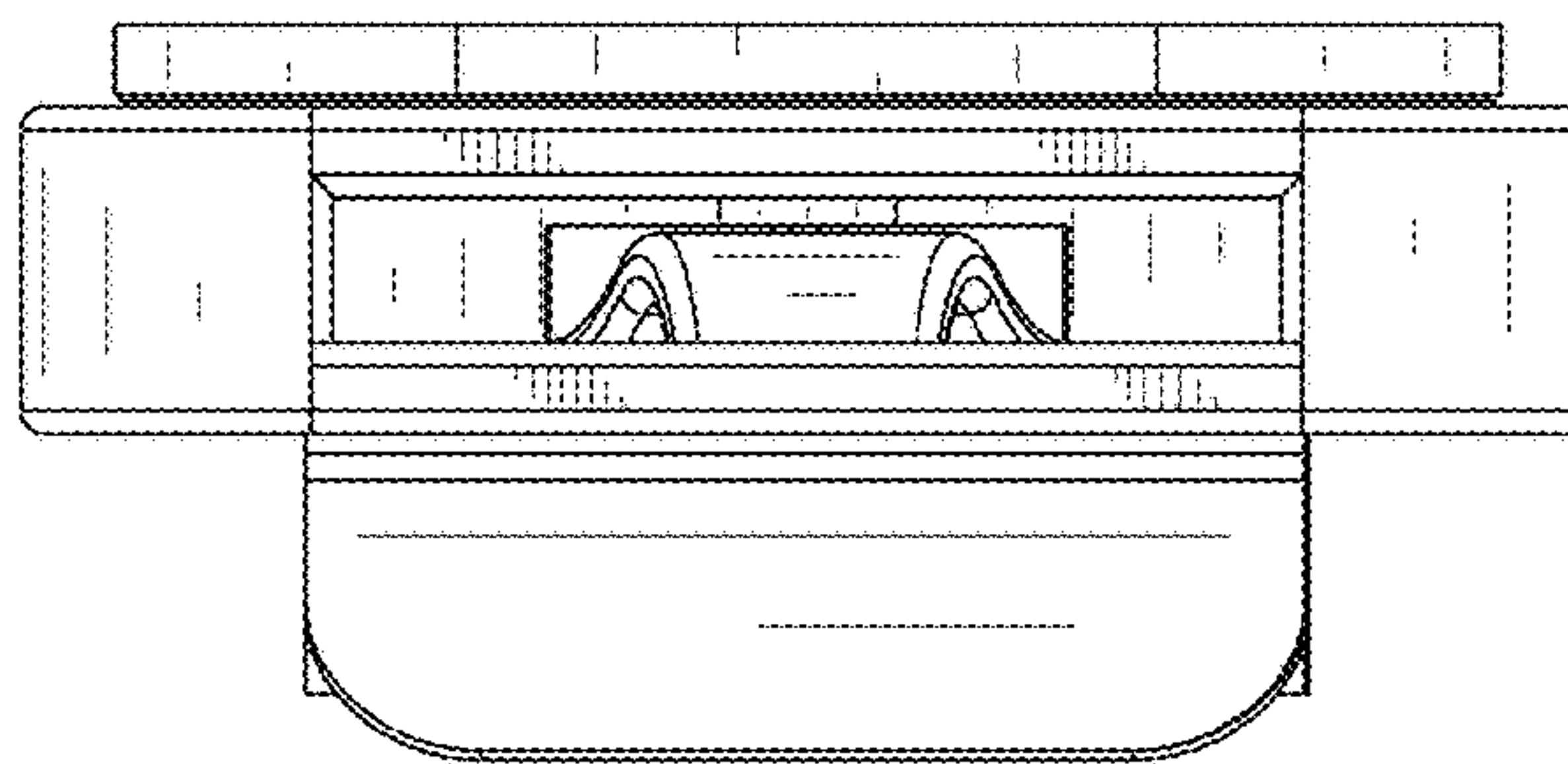


FIG. 8

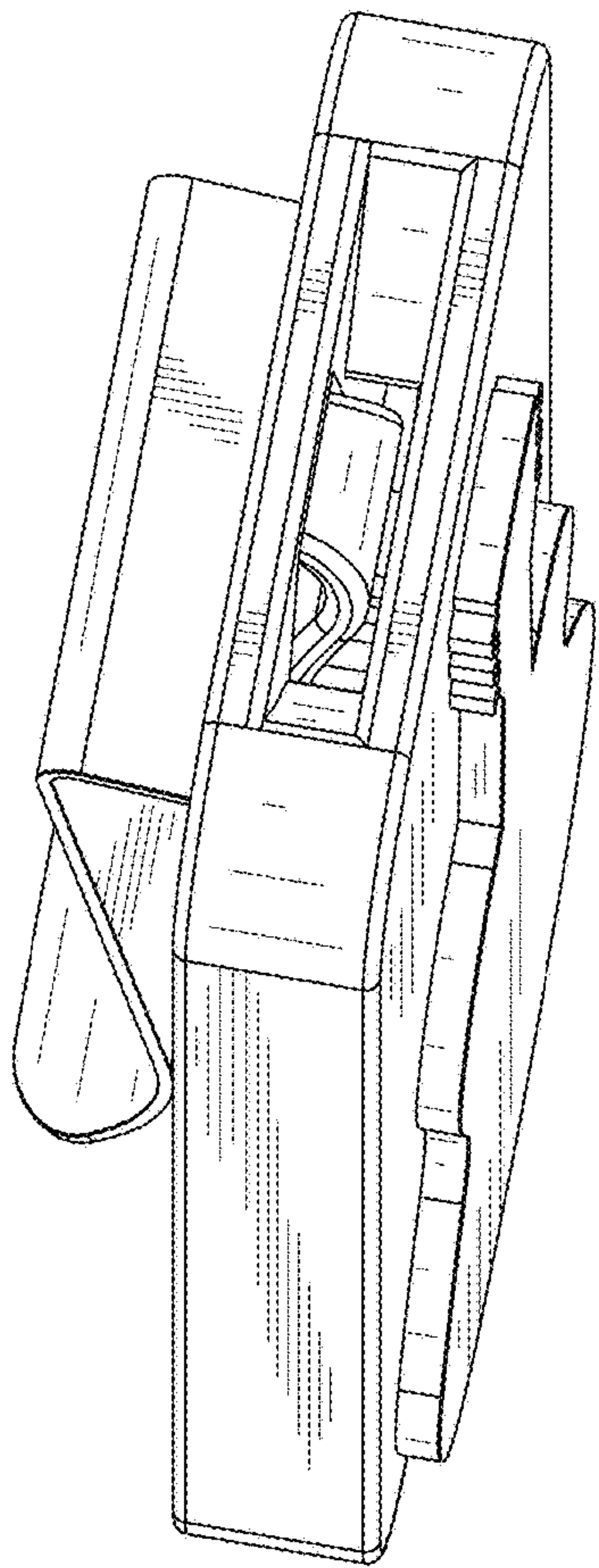


FIG. 9

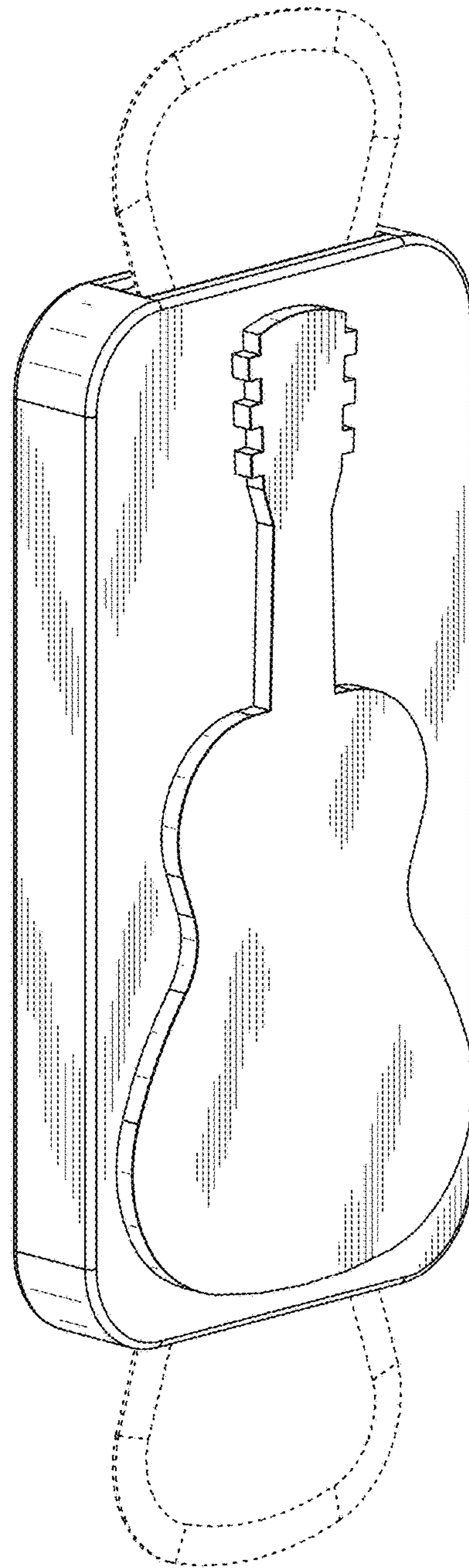


FIG. 10