



US00D843706S

(12) **United States Design Patent**
Donohoe

(10) **Patent No.:** **US D843,706 S**

(45) **Date of Patent:** **** Mar. 26, 2019**

(54) **SOCK**

(71) Applicant: **Susan Donohoe**, Elverson, PA (US)

(72) Inventor: **Susan Donohoe**, Elverson, PA (US)

(**) Term: **15 Years**

(21) Appl. No.: **29/588,173**

(22) Filed: **Dec. 19, 2016**

(51) **LOC (11) Cl.** **02-04**

(52) **U.S. Cl.**
USPC **D2/980**; D2/954

(58) **Field of Classification Search**
USPC D2/954, 980-994; D24/192
CPC A41B 11/004; A41B 11/008; A41B 11/00;
A41B 11/02; A41B 11/003; A41B 11/005;
D04B 1/26; D04B 1/265; A43C 13/14;
A43C 15/00

See application file for complete search history.

(56) **References Cited**

U.S. PATENT DOCUMENTS

D444,940 S *	7/2001	Murrey	D2/980
6,324,698 B1 *	12/2001	Freeman	A41B 11/00 2/239
D538,527 S *	3/2007	Ransan	D2/989
D599,091 S *	9/2009	Della Valle	D2/951
D599,993 S *	9/2009	Issler	D2/951
D626,740 S *	11/2010	Stevenson	D2/981
D663,517 S *	7/2012	Della Valle	D2/951
D672,940 S *	12/2012	Zweiback	D2/896
D680,311 S *	4/2013	McClaskie	D2/951
D681,320 S *	5/2013	Della Valle	D2/950

D687,155 S *	7/2013	Caden	D2/980
D689,678 S *	9/2013	McClaskie	D2/951
D728,208 S *	5/2015	Tadros	D2/919
D752,852 S *	4/2016	Patterson	D2/980
D775,812 S *	1/2017	Patterson	D2/980
D782,171 S *	3/2017	Della Valle	D2/951
D803,544 S *	11/2017	Ramirez-Tellez Shah	D2/980
D812,892 S *	3/2018	Sudit	D2/980
2011/0197343 A1 *	8/2011	Stevenson	A41B 11/00 2/241

* cited by examiner

Primary Examiner — Jennifer L Watkins

(74) *Attorney, Agent, or Firm* — Panitch Schwarze
Belisario & Nadel LLP

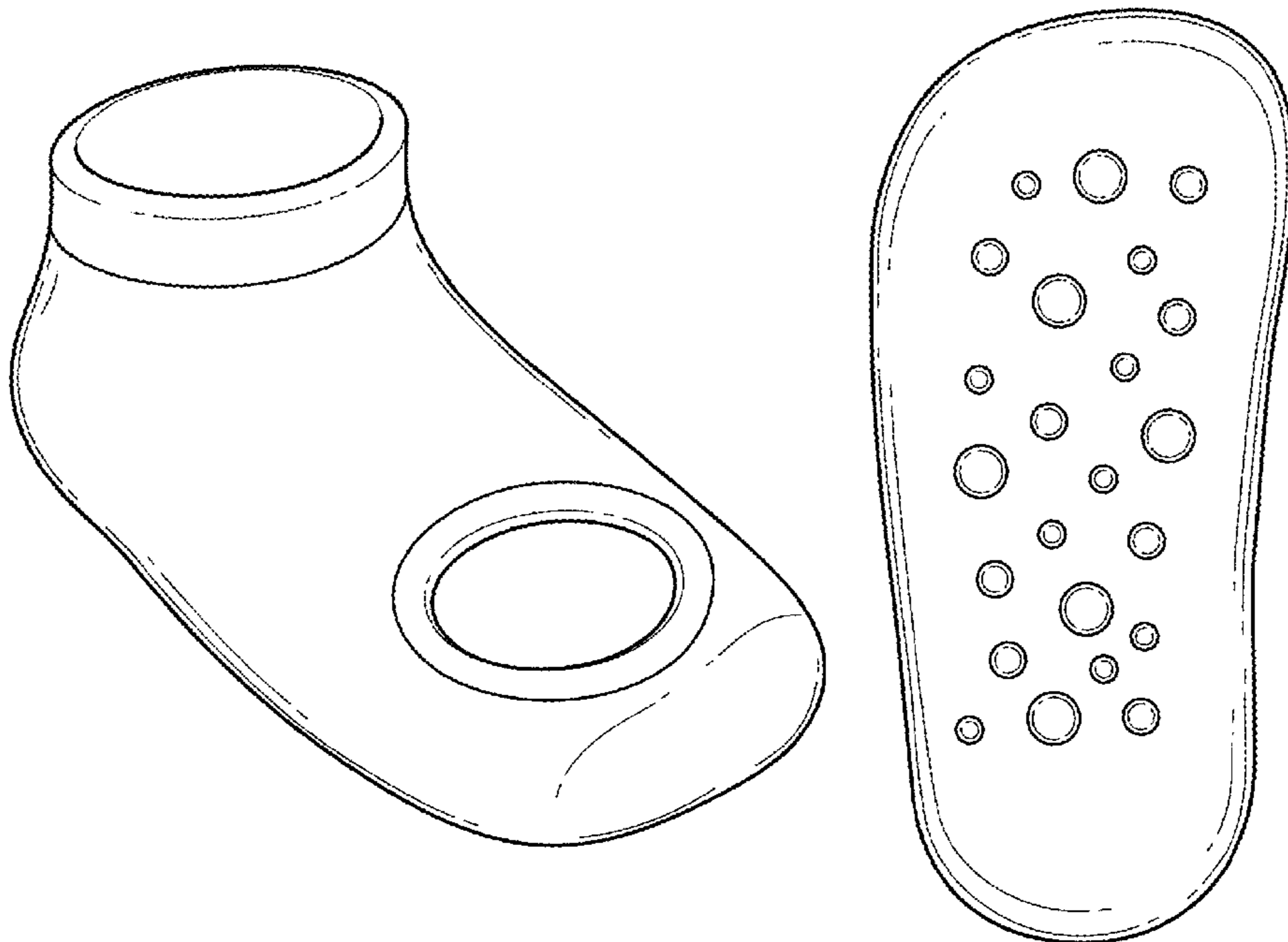
(57) **CLAIM**

The ornamental design for a sock, as shown and described.

DESCRIPTION

FIG. 1 is a front, right side perspective view of a sock in accordance with my new design;
 FIG. 2 is a front, right side perspective view of the sock in an in-use configuration, with the toes and lower leg of a user illustrated in broken lines;
 FIG. 3 is a front elevational view of the sock;
 FIG. 4 is a rear elevational view thereof;
 FIG. 5 is a top plan view thereof;
 FIG. 6 is a bottom plan view thereof;
 FIG. 7 is a left side elevational view thereof; and,
 FIG. 8 is a right side elevational view thereof.
 The broken lines in the figures are for the purpose of showing environmental structure and form no part of the claimed design.

1 Claim, 3 Drawing Sheets



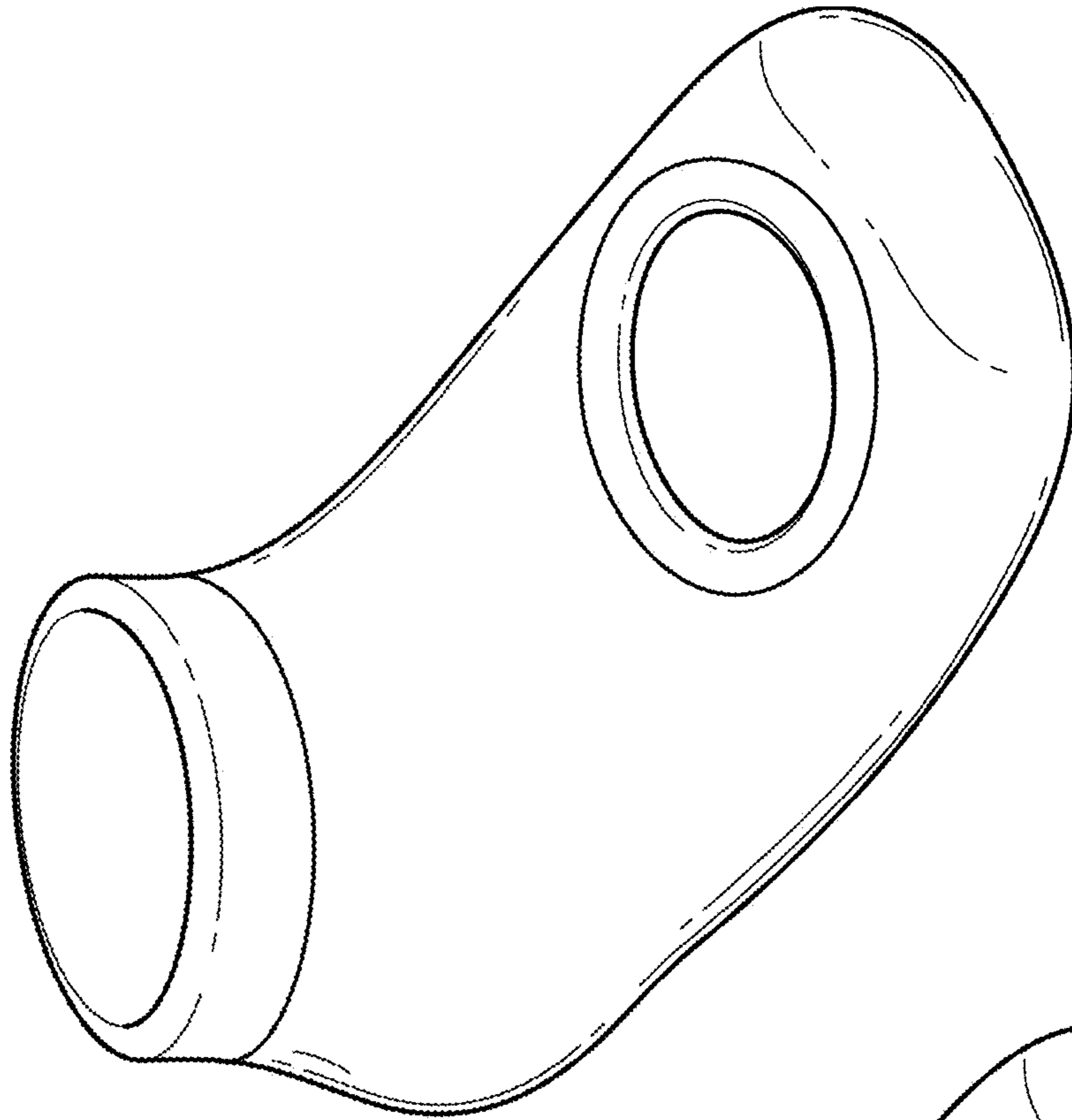


FIG. 1

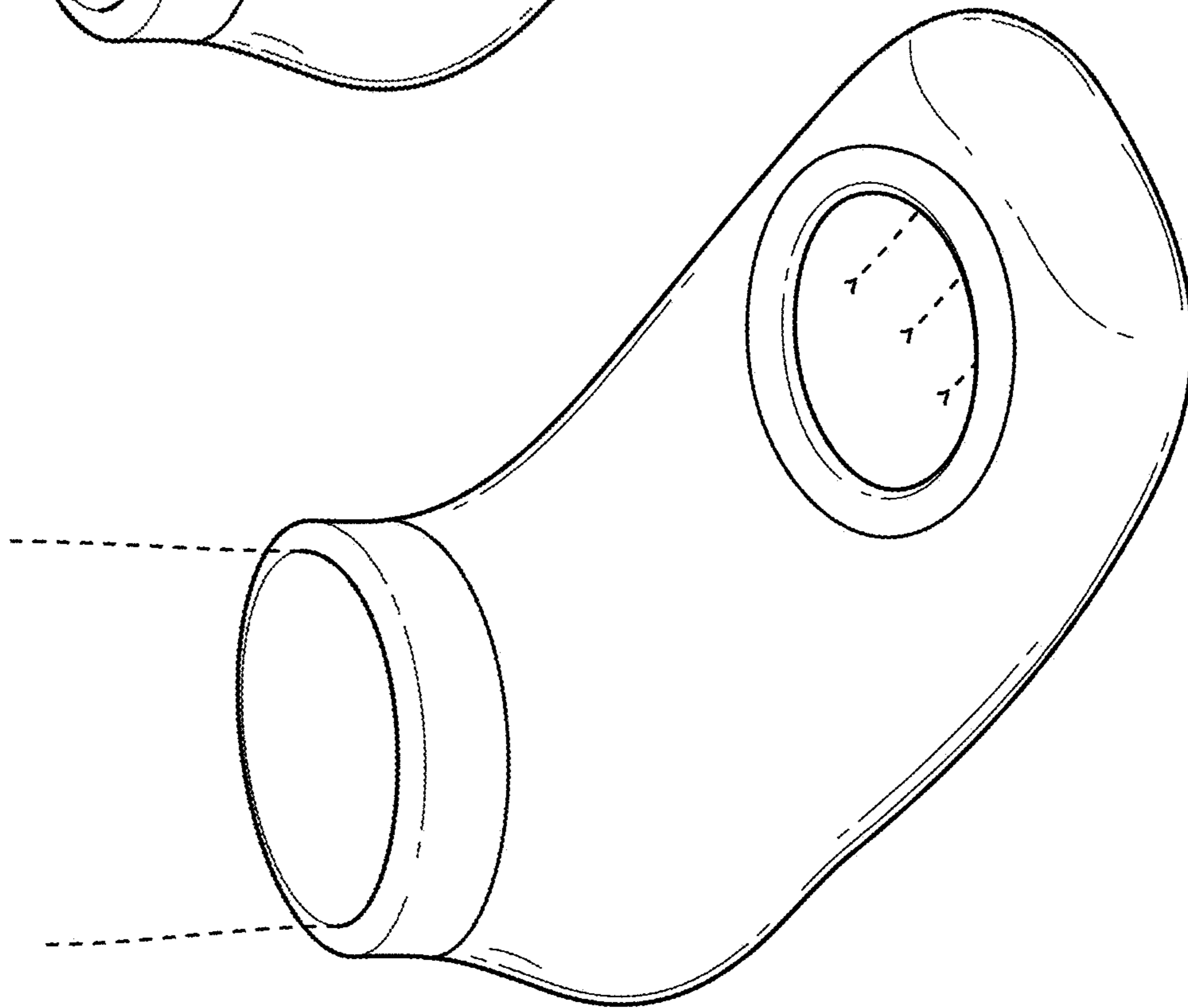


FIG. 2

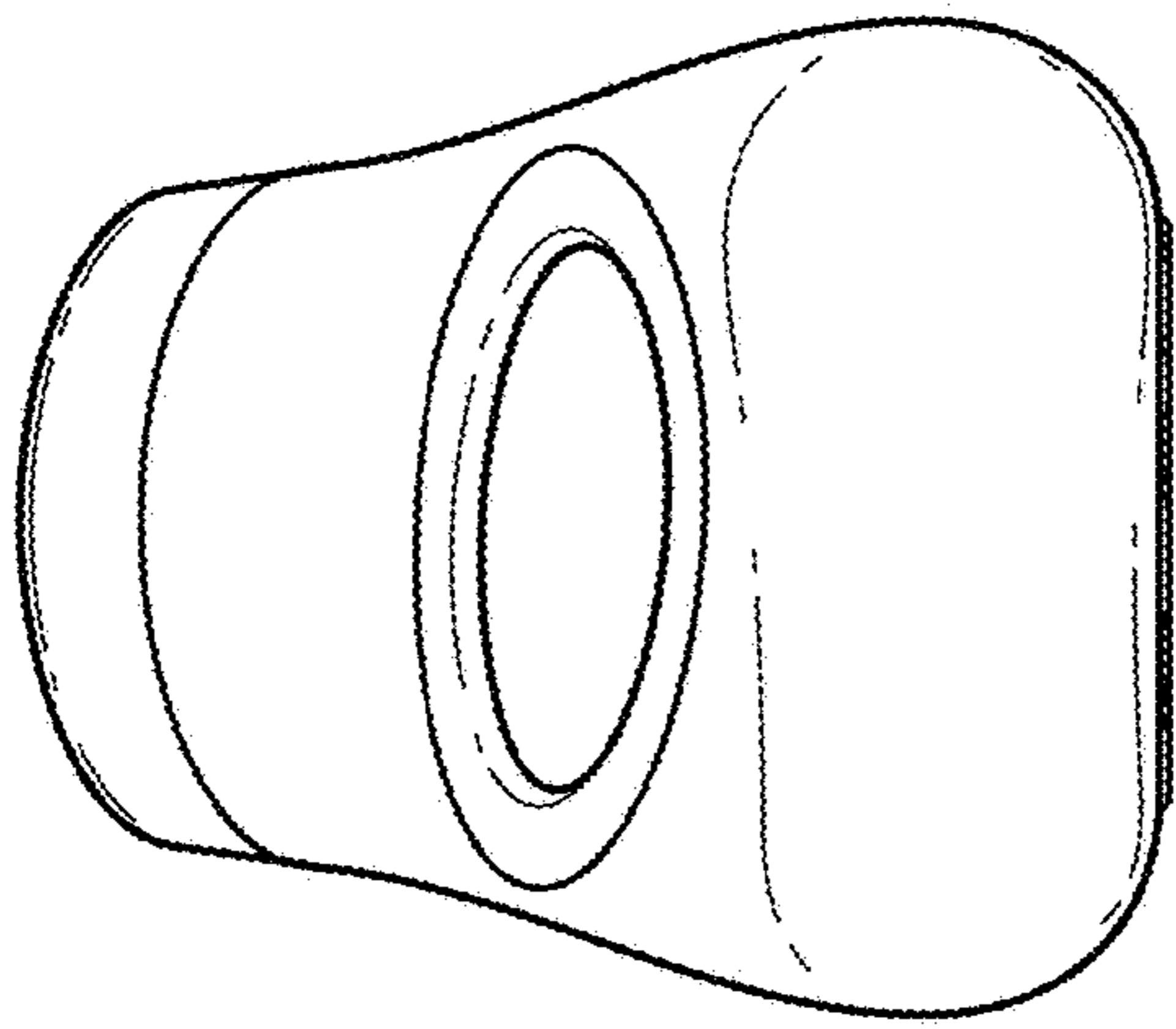


FIG. 3

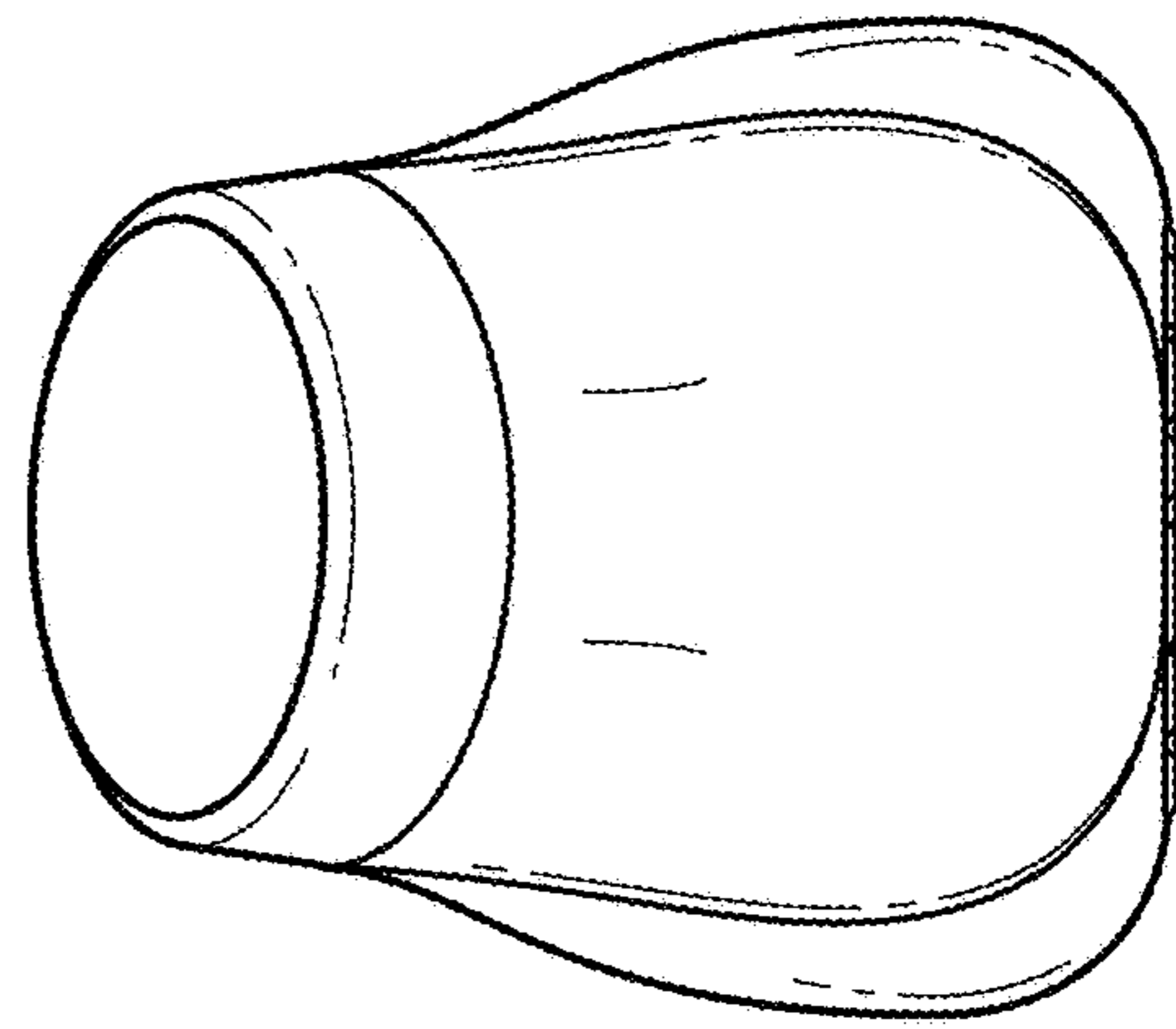


FIG. 4

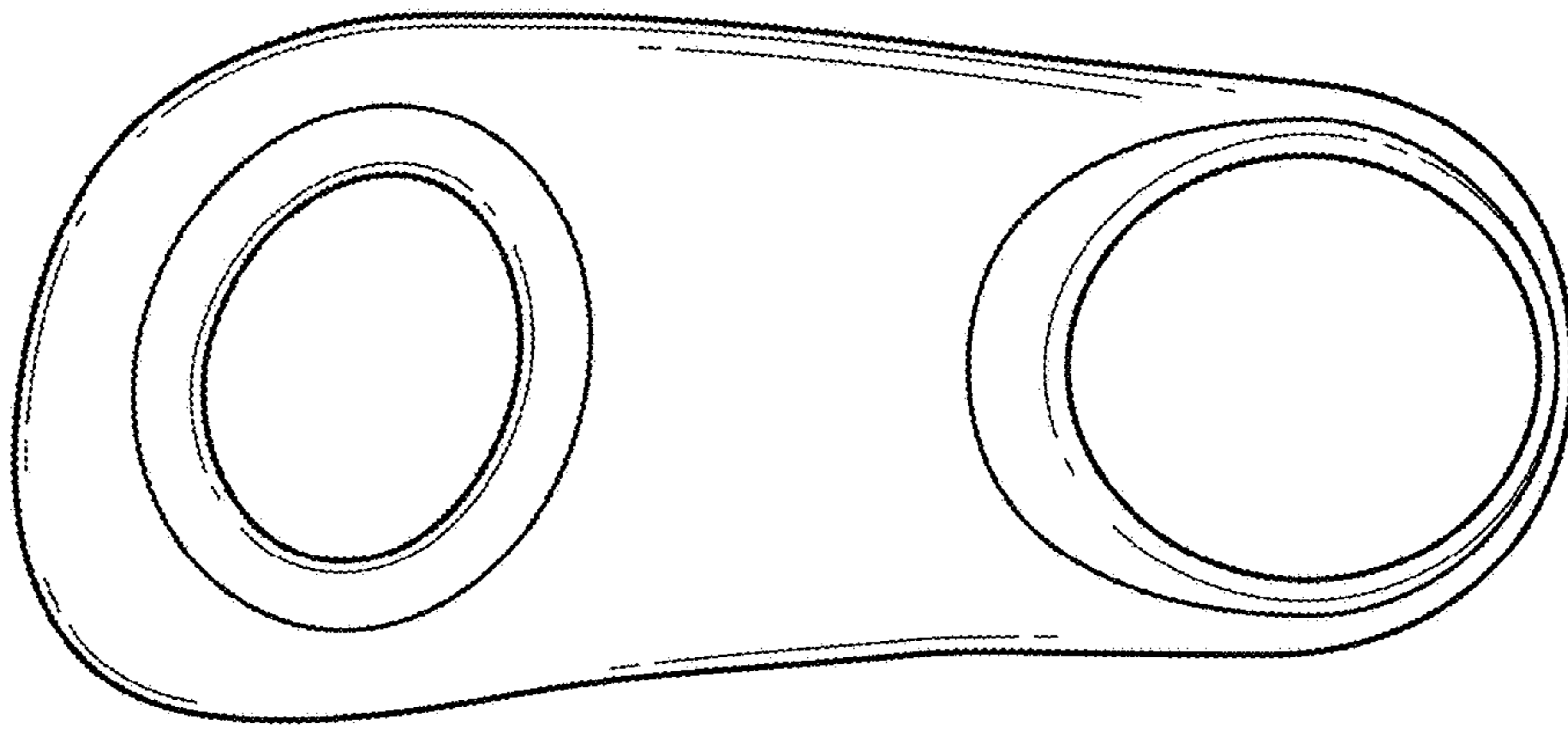


FIG. 5

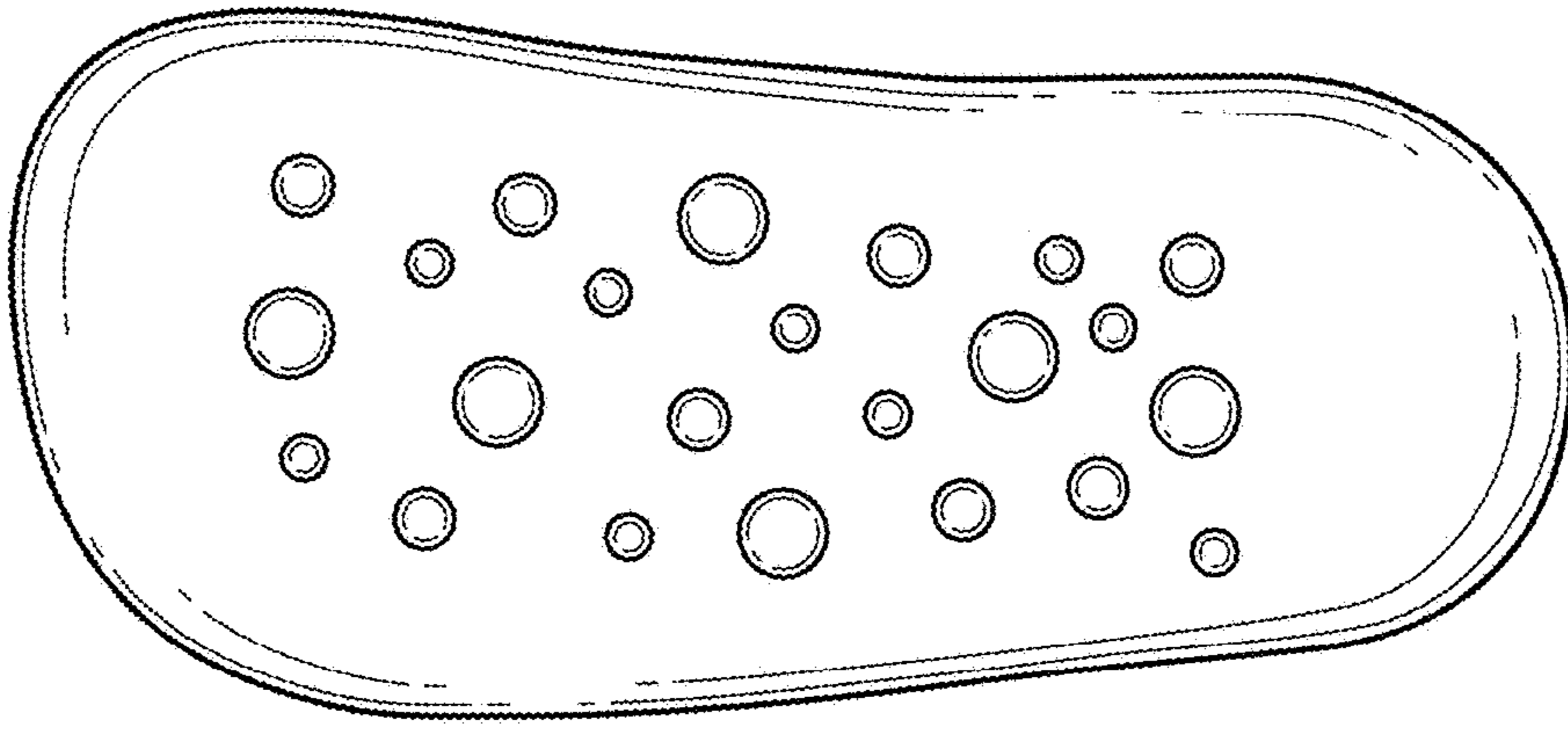


FIG. 6

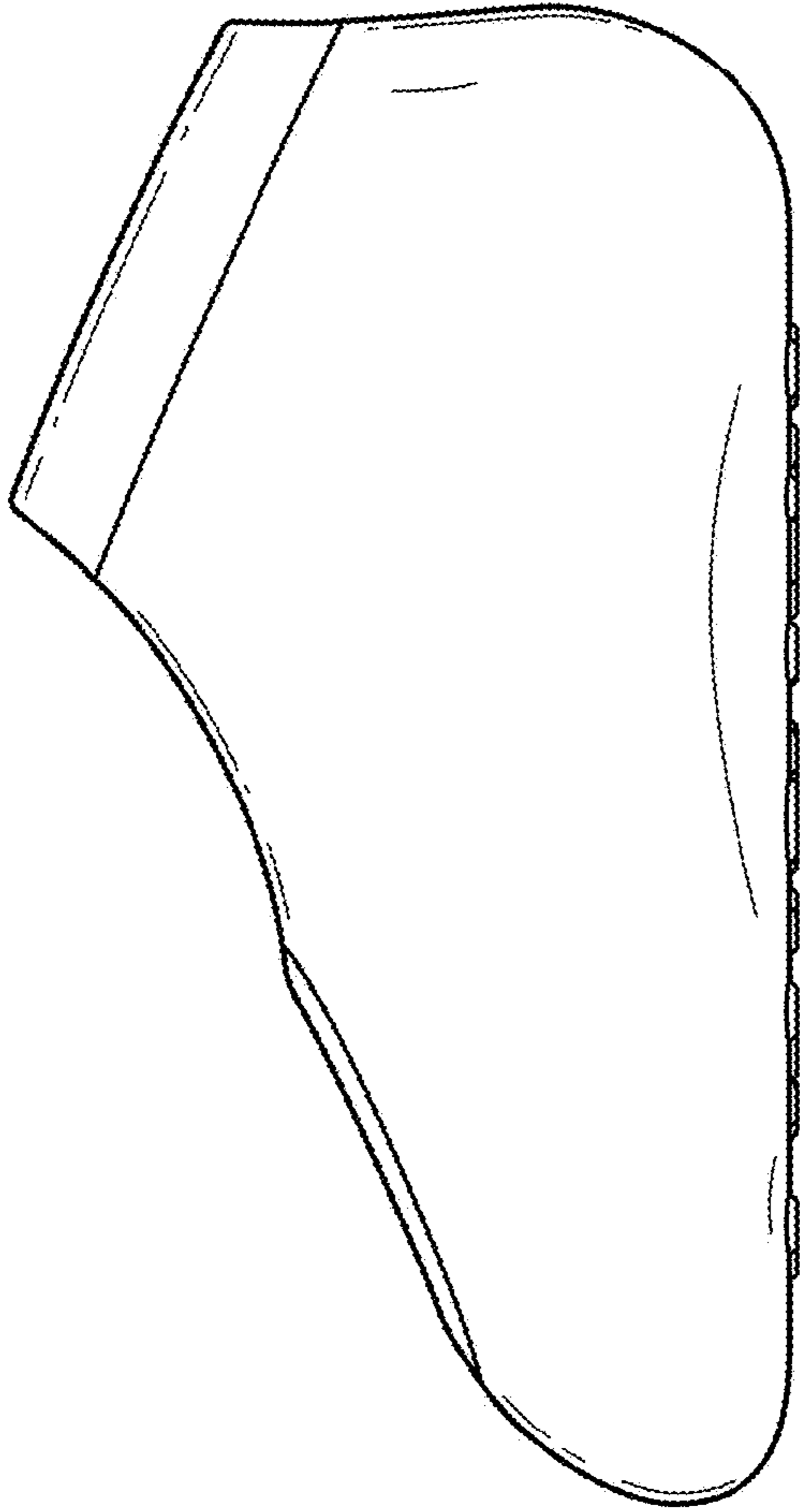


FIG. 7

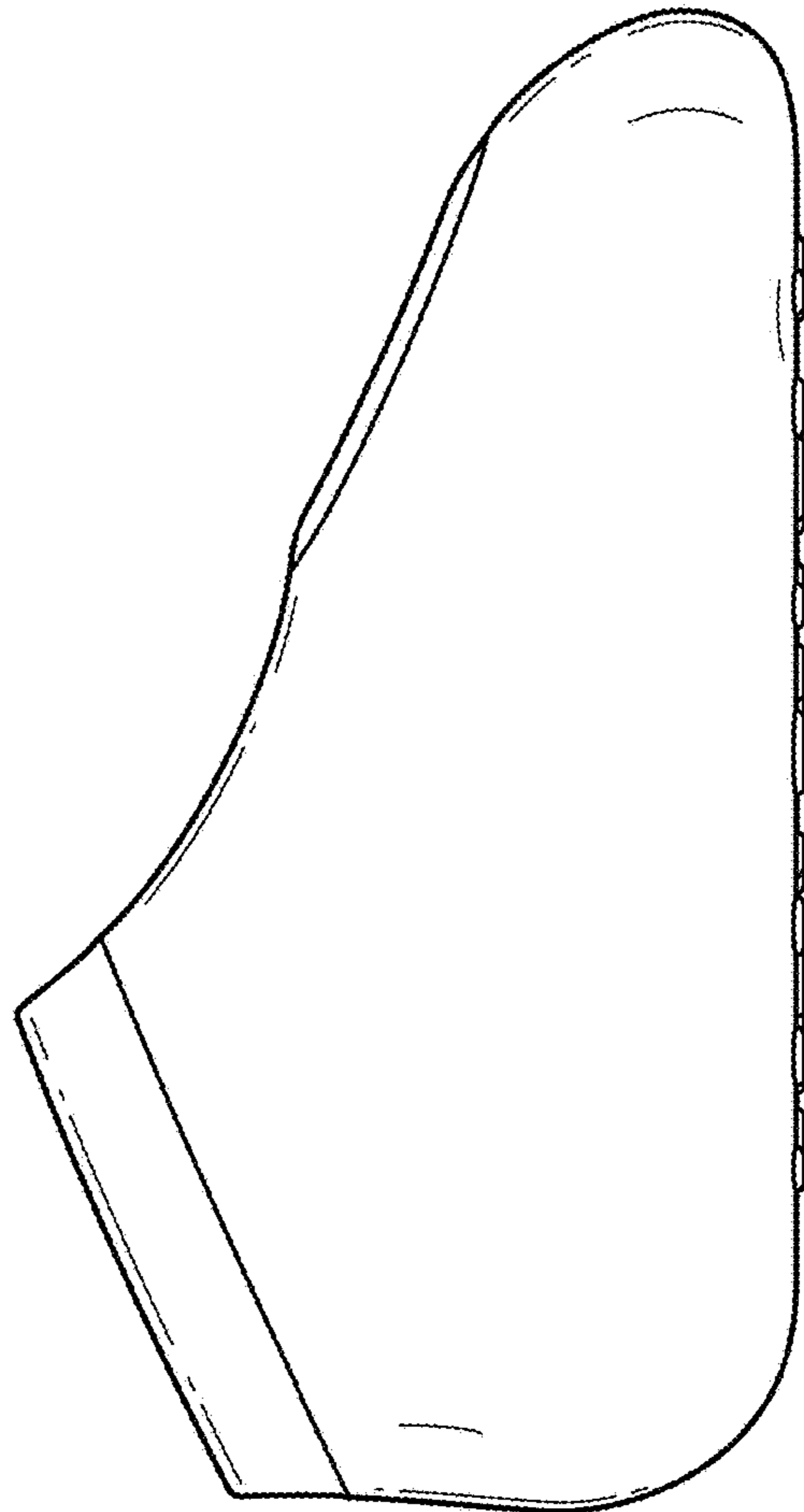


FIG. 8