



US00D843689S

(12) **United States Design Patent**
Kinnear

(10) **Patent No.:** **US D843,689 S**

(45) **Date of Patent:** **** Mar. 26, 2019**

(54) **GARMENT WITH COMBINED HOOD AND NECK GAITER**

(71) Applicant: **Simms Fishing Products LLC**,
Bozeman, MT (US)

(72) Inventor: **Ryan Kinnear**, Bozeman, MT (US)

(**) Term: **15 Years**

(21) Appl. No.: **29/600,022**

(22) Filed: **Apr. 9, 2017**

(51) **LOC (11) Cl.** **02-02**

(52) **U.S. Cl.**
USPC **D2/828**

(58) **Field of Classification Search**
USPC D2/706-708, 728, 731, 732, 750-753,
D2/828-839, 847, 848, 853, 857;
D29/101.3; D5/53, 55, 59, 61
CPC A41C 3/0057; A41C 3/08; A41C 3/12;
A41D 1/18; A41D 13/0007; A41D
13/0015; A41D 13/0017; A41D 3/00;
A41D 3/02; A41D 3/04
See application file for complete search history.

(56) **References Cited**

U.S. PATENT DOCUMENTS

D189,233	S *	11/1960	Gardner	2/205
3,561,010	A	2/1971	Little	
4,334,325	A *	6/1982	Walkuski	A41D 3/00 2/202
D388,239	S *	12/1997	Li	D2/878
5,713,077	A	2/1998	Humbrecht	
6,088,838	A *	7/2000	Sontag	A42B 1/046 2/202
6,397,395	B1	6/2002	DeHart	
6,665,878	B1	12/2003	Way	
D512,204	S *	12/2005	Thomas	D2/831
7,302,710	B2	12/2007	Thomas et al.	
7,418,740	B2	9/2008	Anderson et al.	

(Continued)

Primary Examiner — Kevin K Rudzinski

Assistant Examiner — Clare Ann Gannon

(74) *Attorney, Agent, or Firm* — Antoinette M. Tease

(57) **CLAIM**

The design for a garment with combined hood and neck gaiter, as shown and described.

DESCRIPTION

FIG. 1 is a perspective view of a garment with combined hood and neck gaiter showing the new design with the hood and neck gaiter in an up position.

FIG. 2 is a front view thereof.

FIG. 3 is a rear view thereof.

FIG. 4 is a right side view thereof.

FIG. 5 is a left side view thereof.

FIG. 6 is a top view thereof.

FIG. 7 is a bottom view thereof.

FIG. 8 is a perspective view thereof with the hood in a down position and the neck gaiter in an up position.

FIG. 9 is a front view thereof.

FIG. 10 is a rear view thereof.

FIG. 11 is a right side view thereof.

FIG. 12 is a left side view thereof.

FIG. 13 is a top view thereof.

FIG. 14 is a bottom view thereof.

FIG. 15 is a perspective view thereof with the hood and neck gaiter in a down position.

FIG. 16 is a front view thereof.

FIG. 17 is a rear view thereof.

FIG. 18 is a right side view thereof.

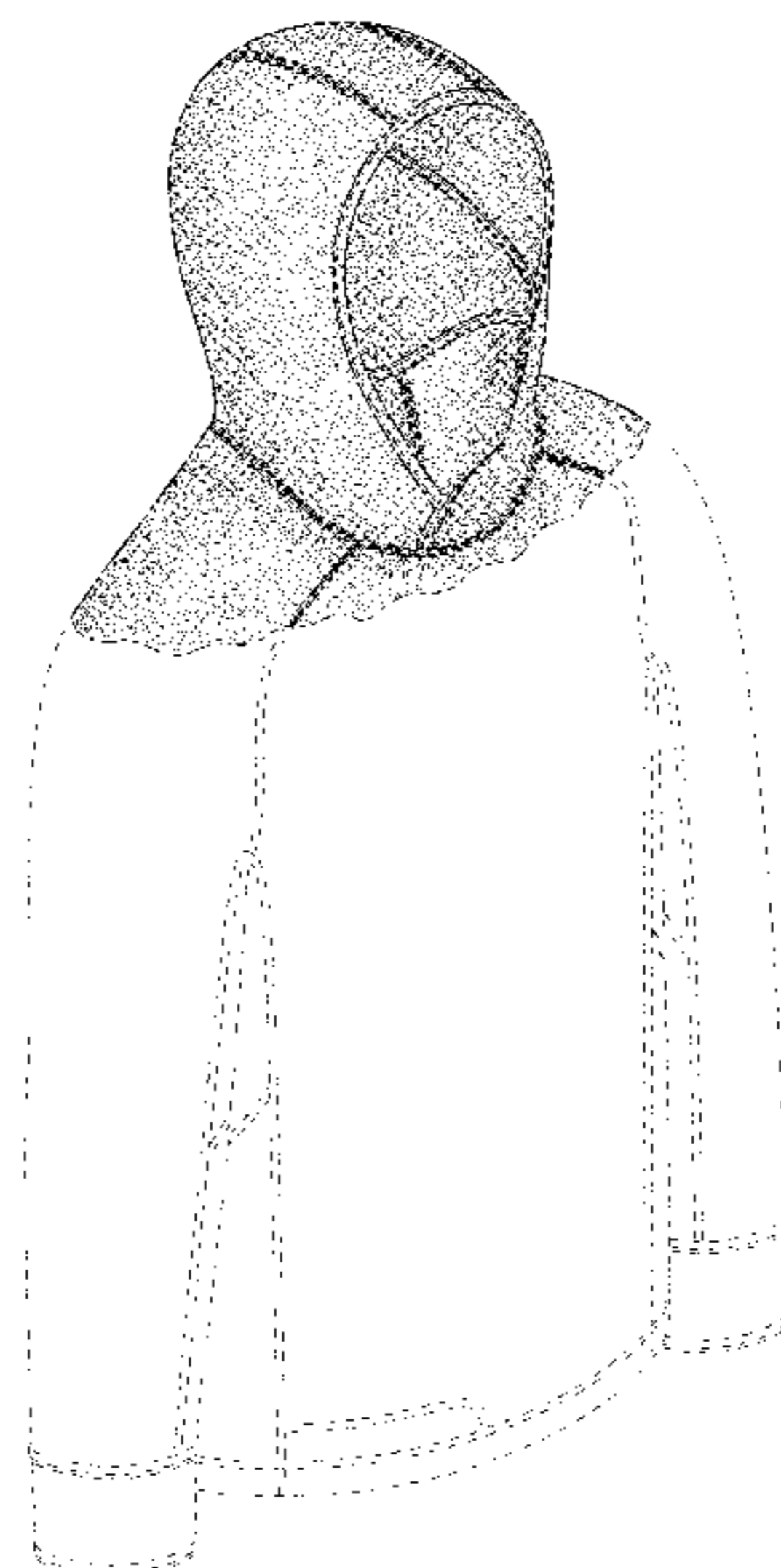
FIG. 19 is a left side view thereof.

FIG. 20 is a top view thereof; and,

FIG. 21 is a bottom view thereof.

The zig-zag lines and the broken lines that run within the zig-zag lines represent stitching that forms a part of the claim. The remaining broken lines, including the evenly spaced and the dot-dash broken lines, depict environment that forms no part of the claimed design.

1 Claim, 13 Drawing Sheets



(56)

References Cited

U.S. PATENT DOCUMENTS

7,467,422 B2 12/2008 Bugarin
 7,603,724 B2* 10/2009 Mickle A42B 1/046
 2/173
 D612,585 S * 3/2010 Riemer D2/825
 D672,117 S * 12/2012 Hawkins D2/840
 D693,094 S * 11/2013 Pasloski D2/750
 D695,495 S * 12/2013 Astacio D2/881
 D721,467 S * 1/2015 Tref D2/724
 D732,271 S * 6/2015 Fischer D2/731
 9,060,559 B2* 6/2015 Rojas Mas A42B 1/048
 D736,497 S * 8/2015 Harris D2/831
 D758,698 S * 6/2016 Darmour D2/828
 D761,524 S * 7/2016 Cook D2/878
 D764,742 S * 8/2016 Criss D2/828
 D767,853 S * 10/2016 Criss D2/828
 D767,854 S * 10/2016 Trullinger D2/828
 D767,855 S * 10/2016 Maguire D2/828
 D783,233 S * 4/2017 Steel D2/831
 D790,809 S * 7/2017 Lomax D2/828

D793,668 S * 8/2017 Blackford D2/828
 D796,790 S * 9/2017 Kositchiranant D2/828
 D801,009 S * 10/2017 Woodle D2/853
 2004/0016041 A1* 1/2004 Uno A41B 9/06
 2/113
 2005/0028242 A1 2/2005 Thomas et al.
 2005/0160514 A1 7/2005 Flaniken
 2006/0075538 A1 4/2006 Anderson et al.
 2006/0143796 A1 7/2006 Bugarin
 2007/0118960 A1* 5/2007 Goodwin A41D 1/04
 2/84
 2009/0235426 A1* 9/2009 Johnston A41D 3/005
 2/84
 2013/0219581 A1* 8/2013 Schrimpf A41D 27/20
 2/69
 2014/0096305 A1* 4/2014 Friesen A41D 3/00
 2/84
 2015/0201681 A1 7/2015 Ron et al.
 2016/0374415 A1* 12/2016 Chang A41D 15/00
 2/69

* cited by examiner

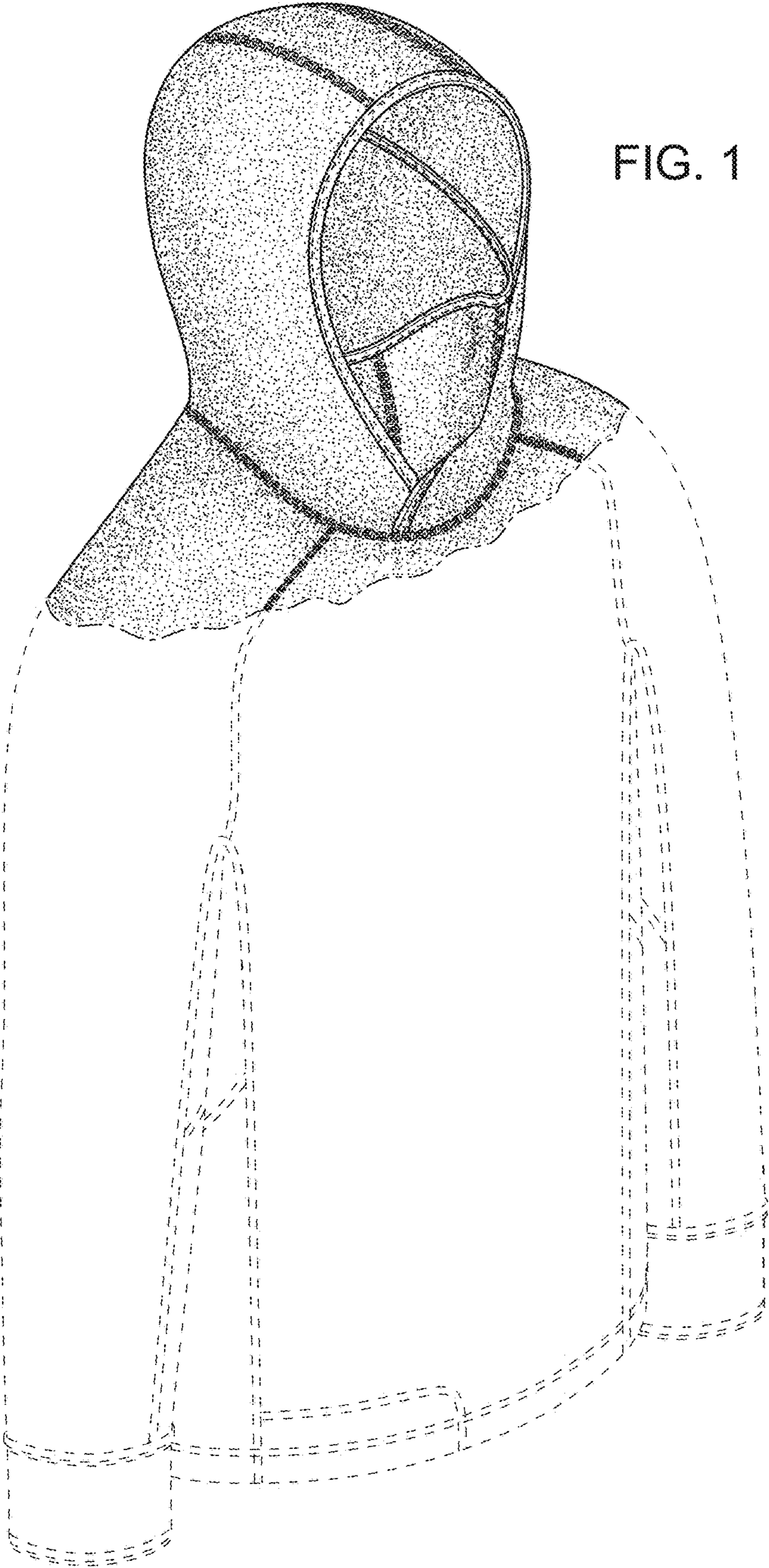


FIG. 1

FIG. 2

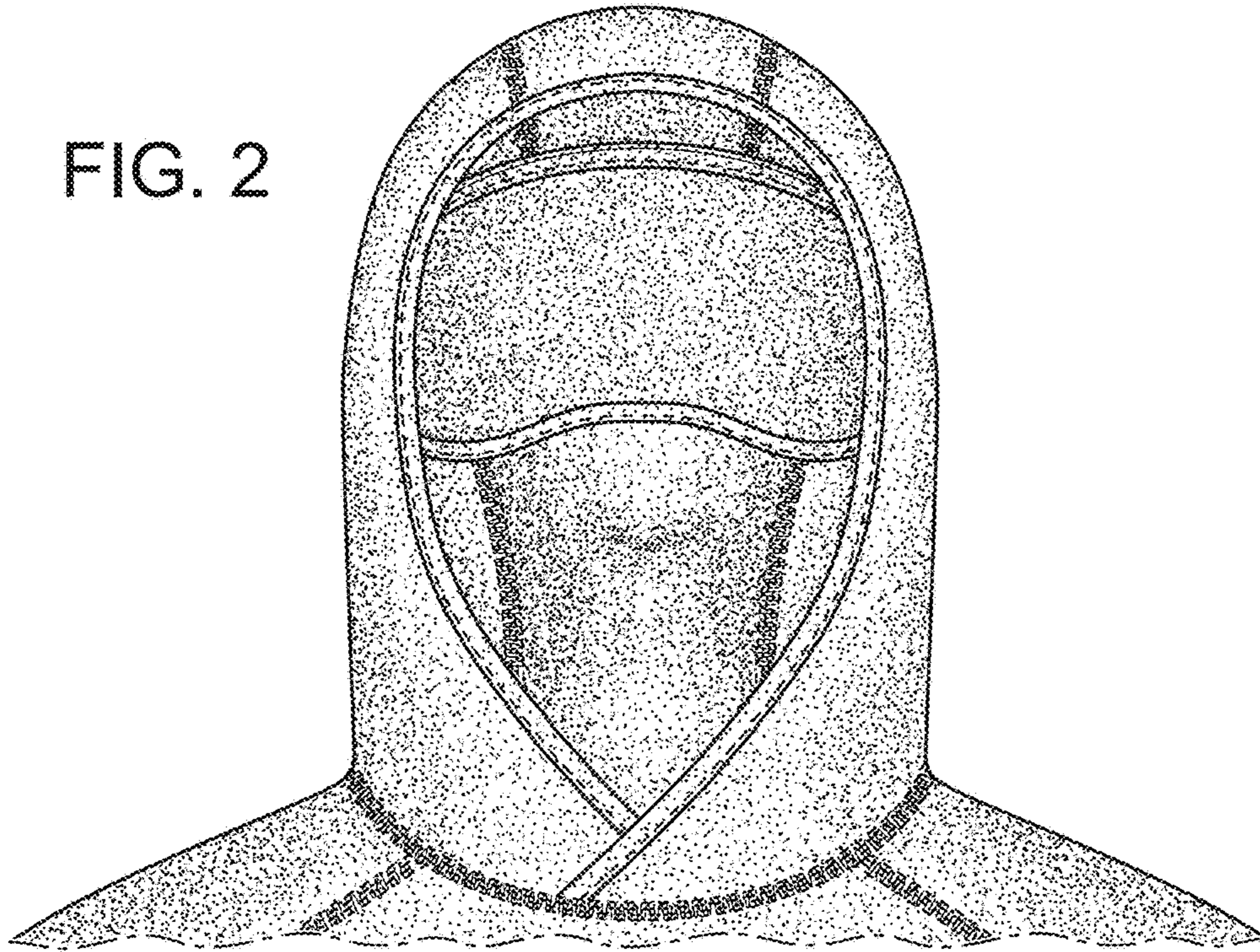
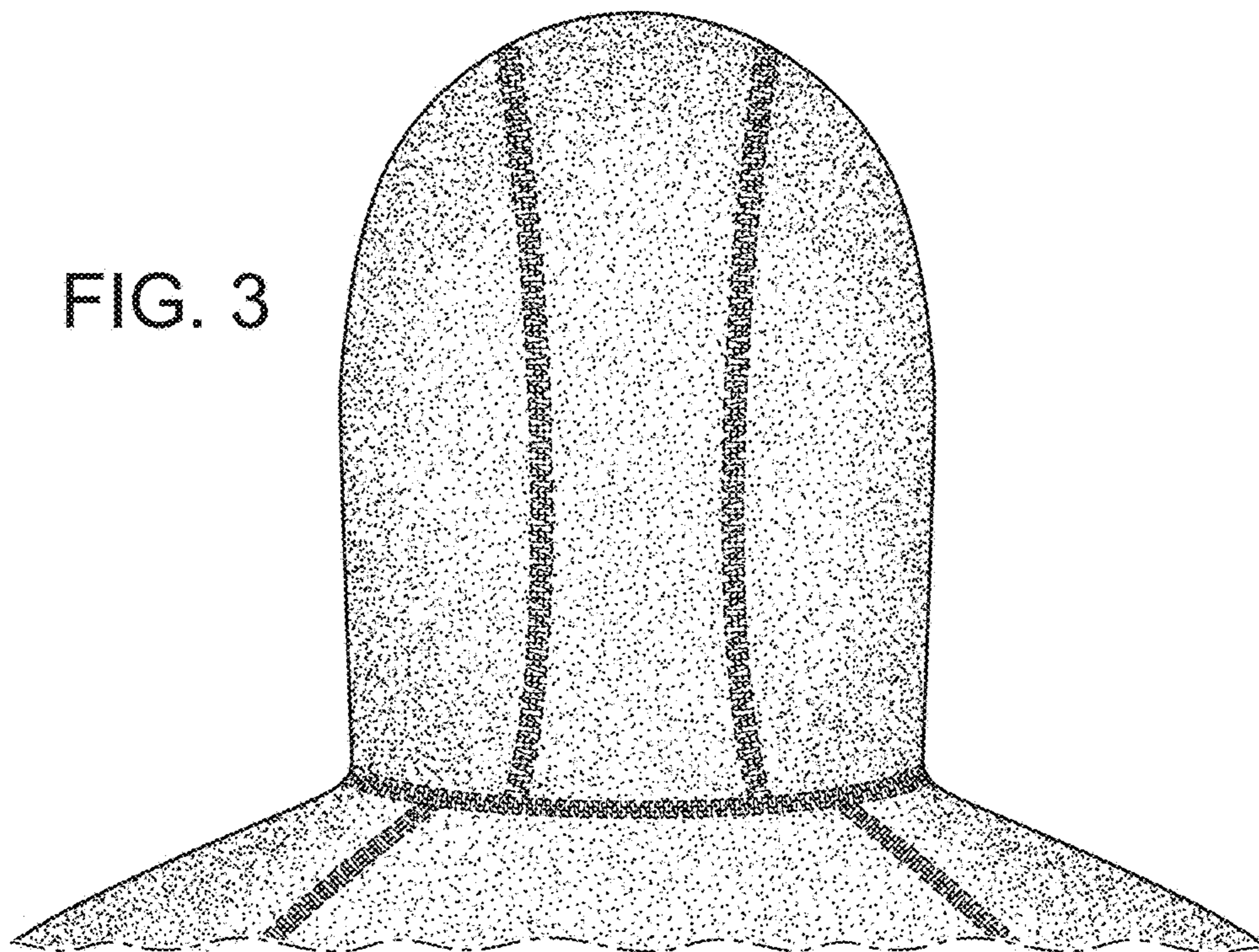


FIG. 3



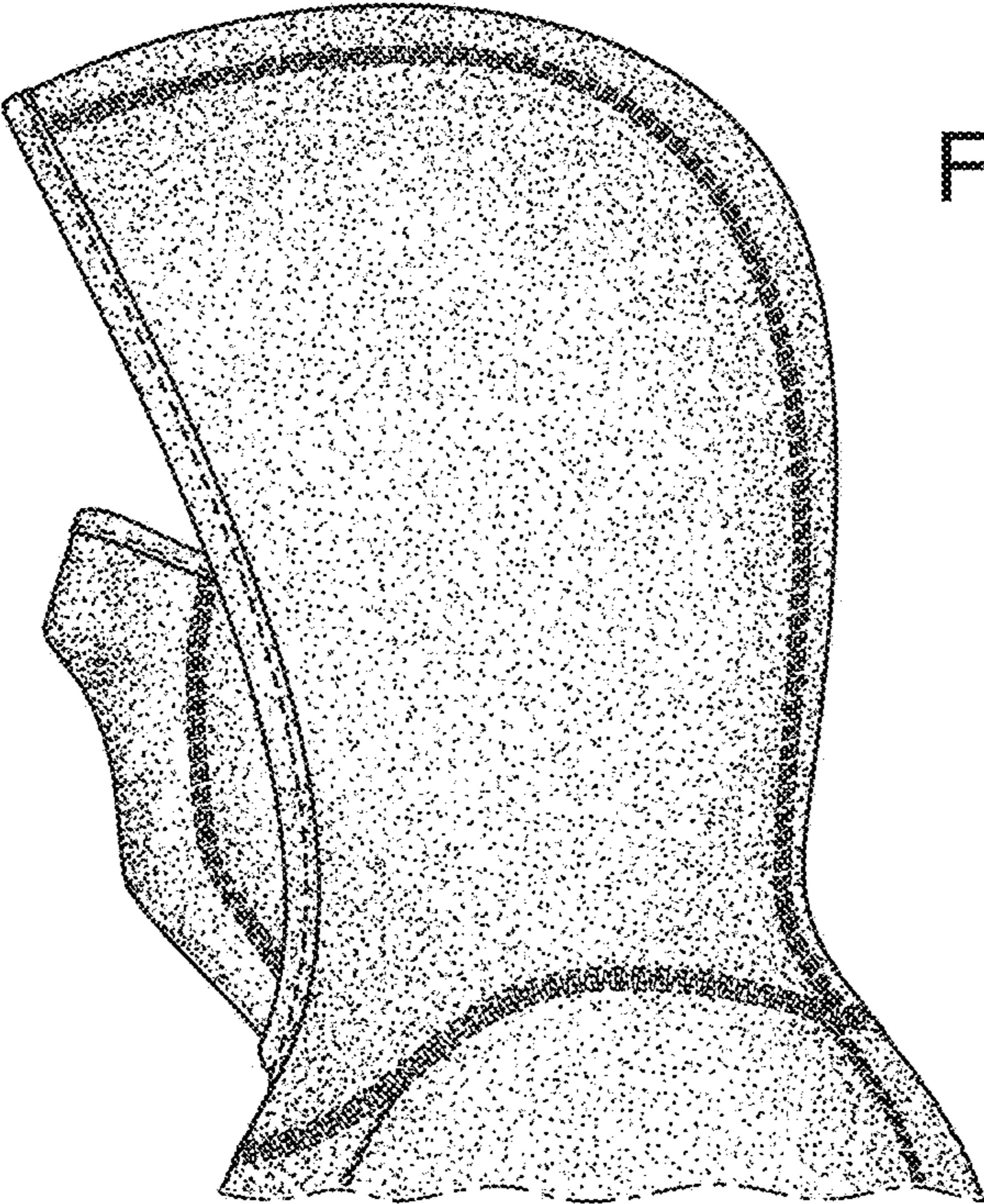


FIG. 4

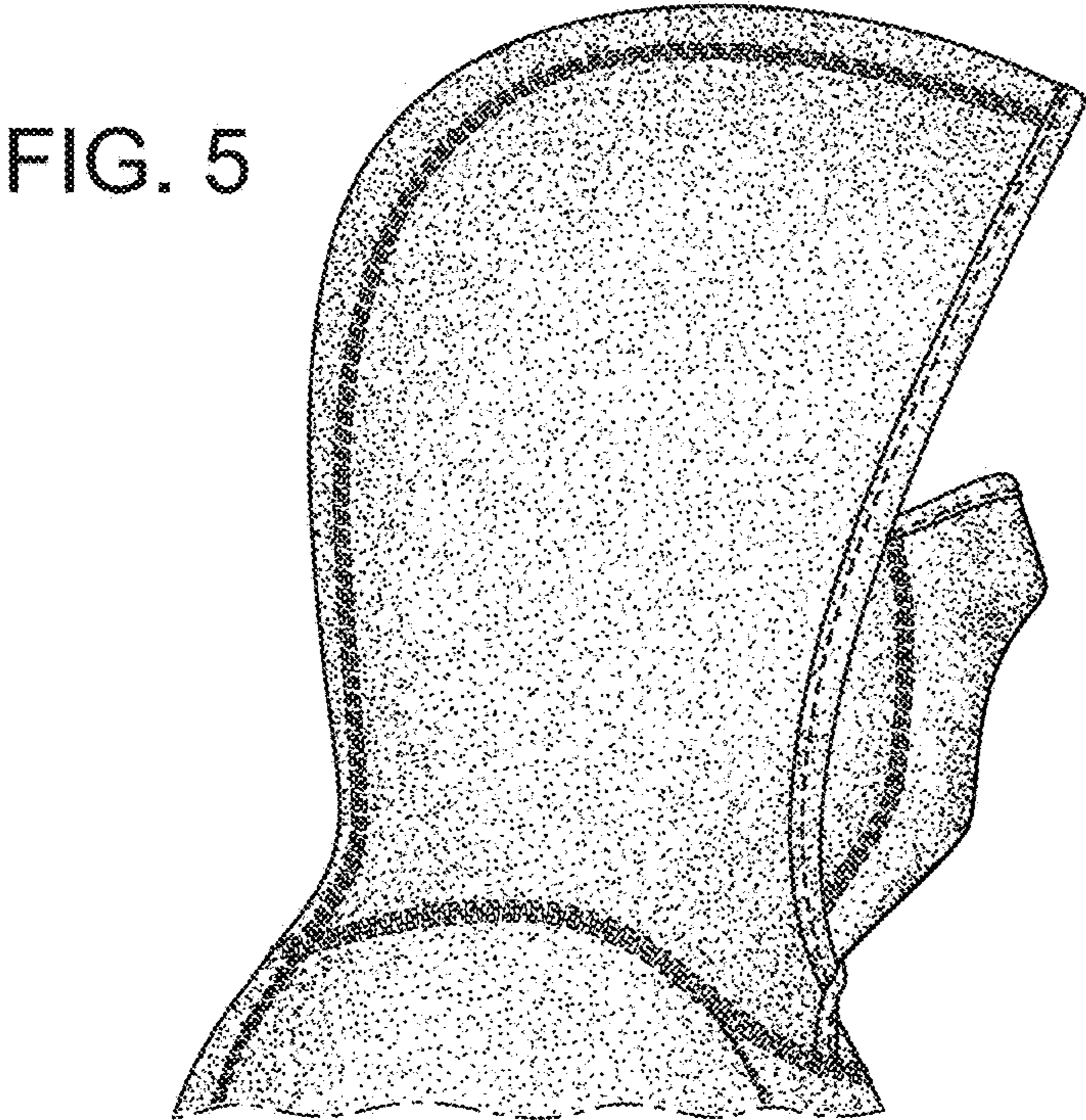


FIG. 5

FIG. 6

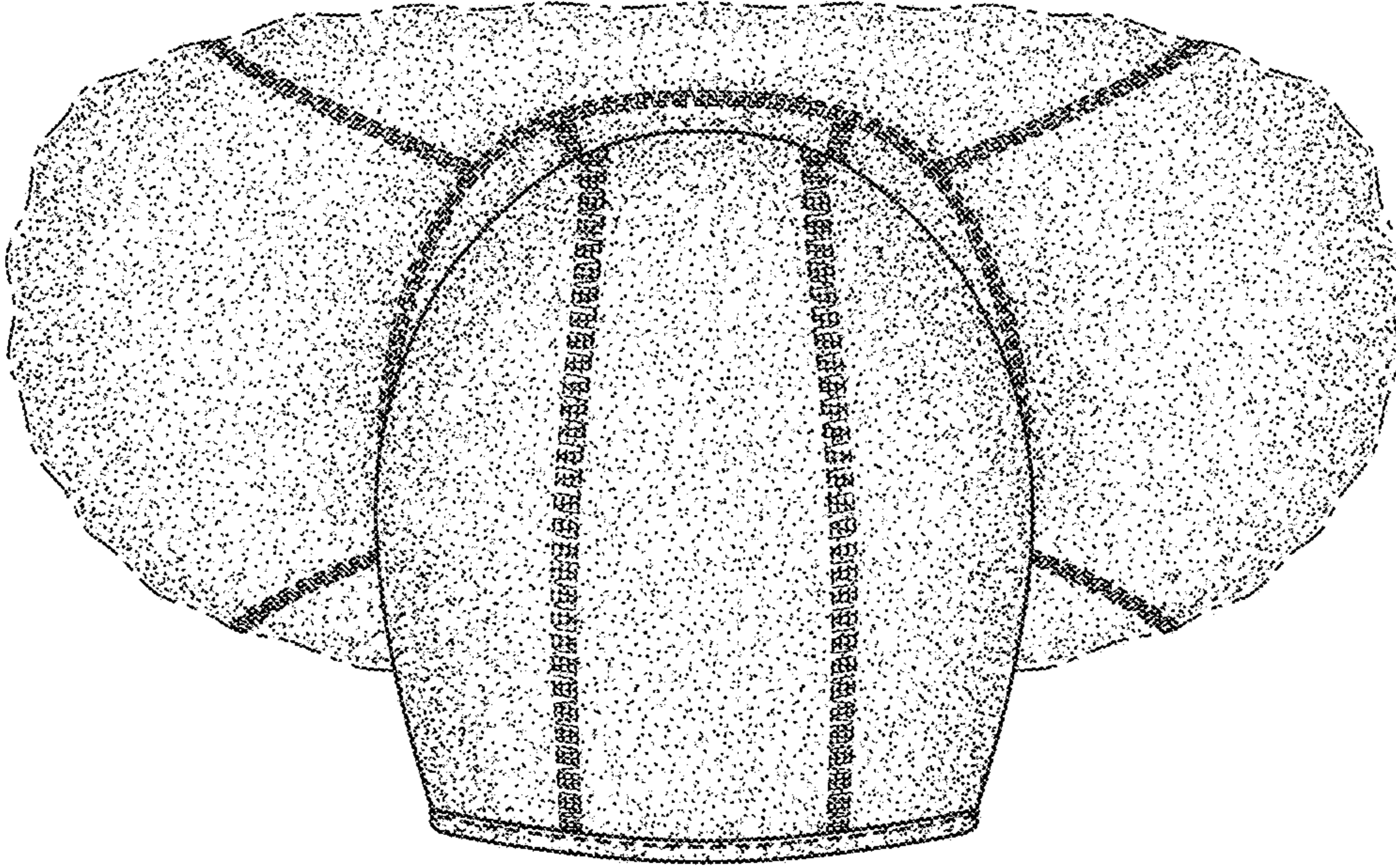
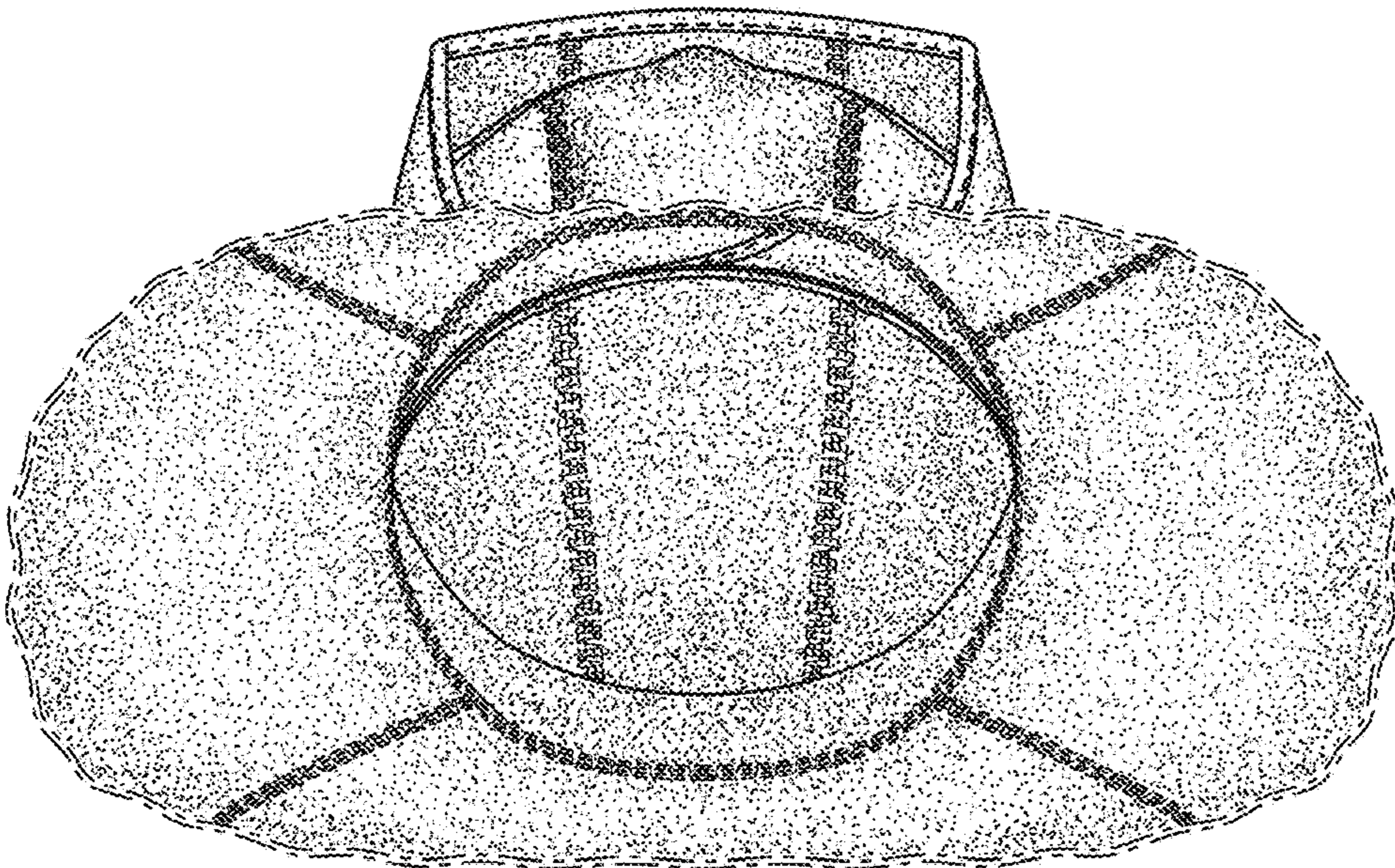


FIG. 7



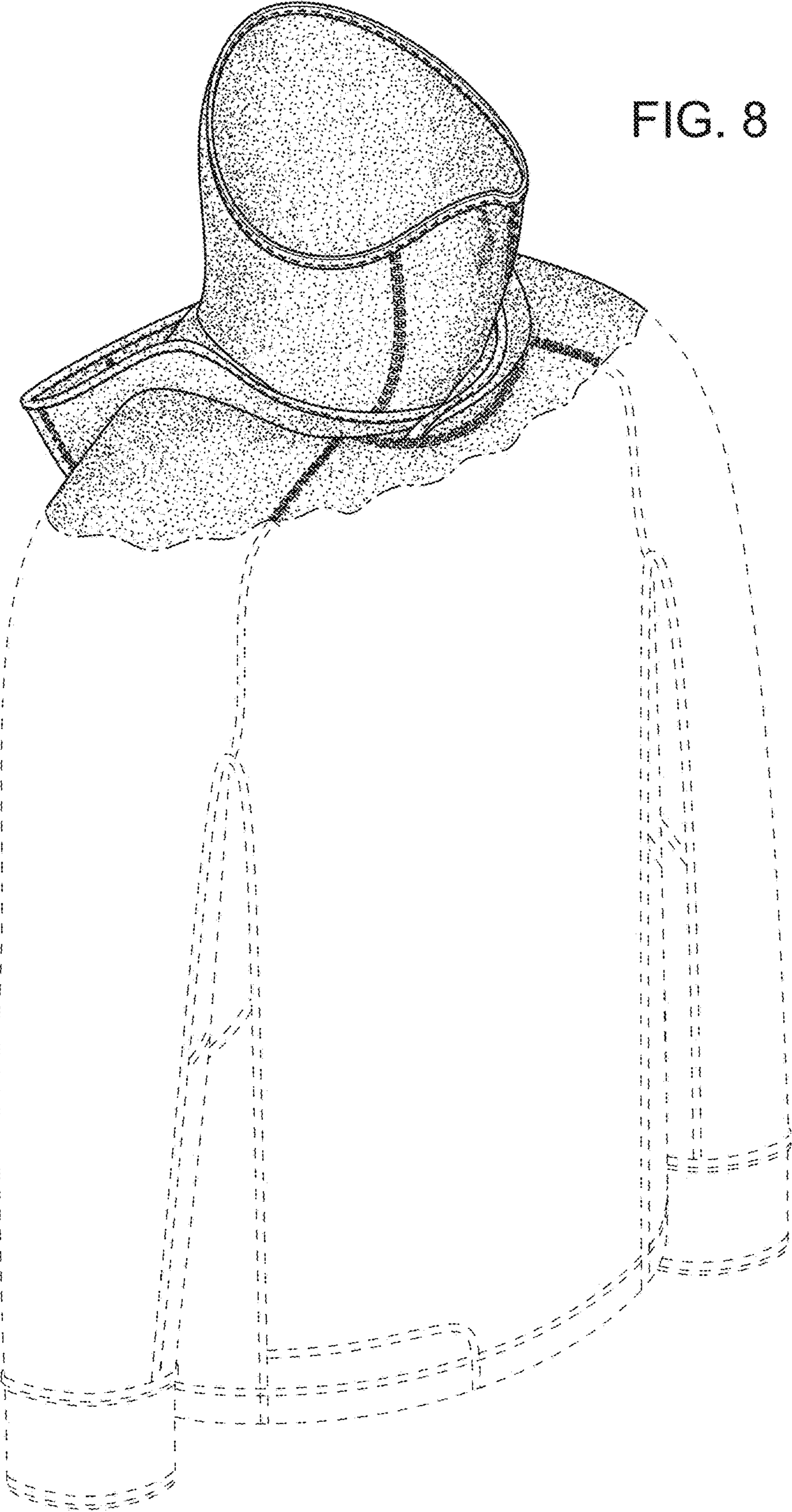


FIG. 9

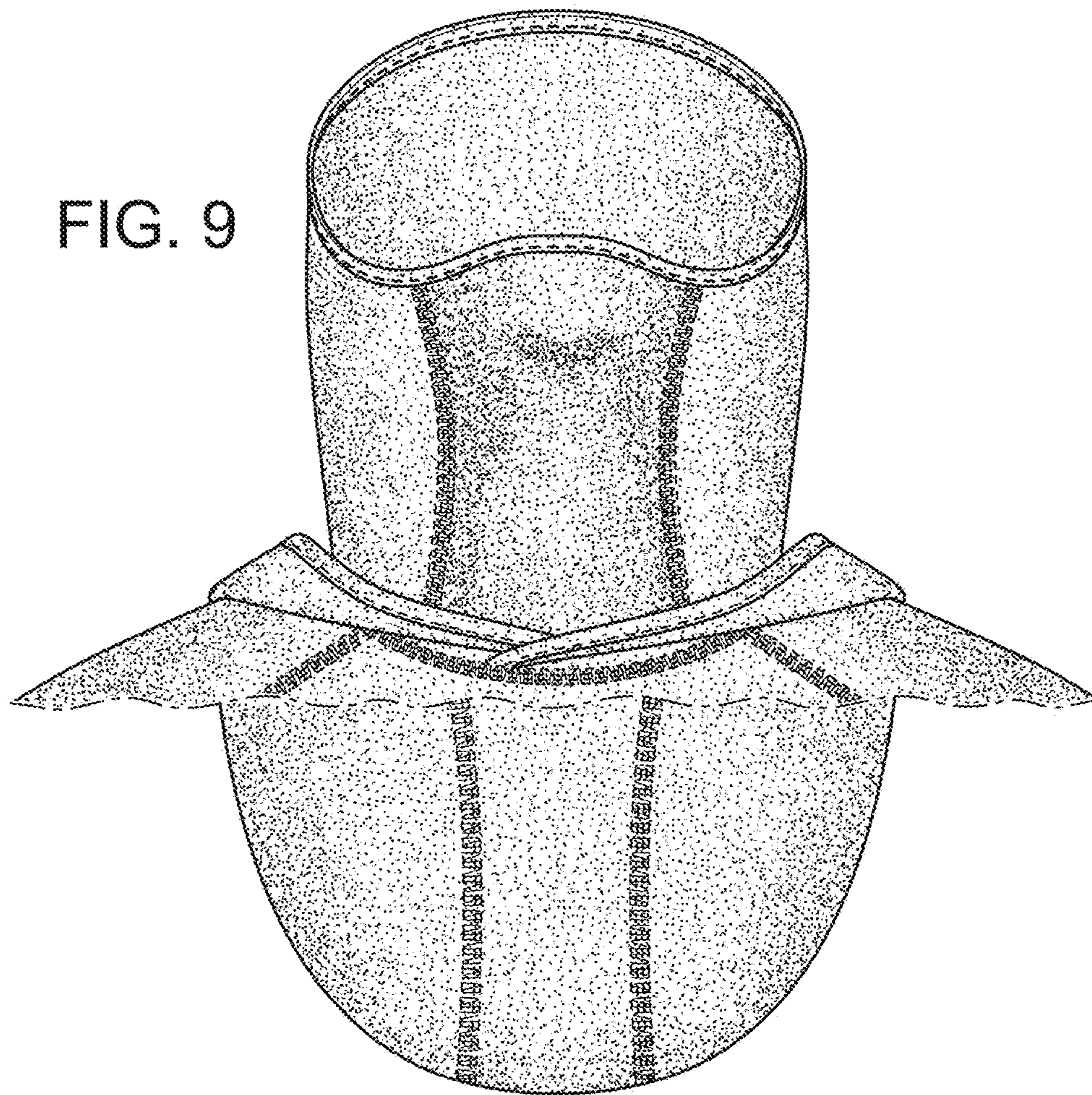
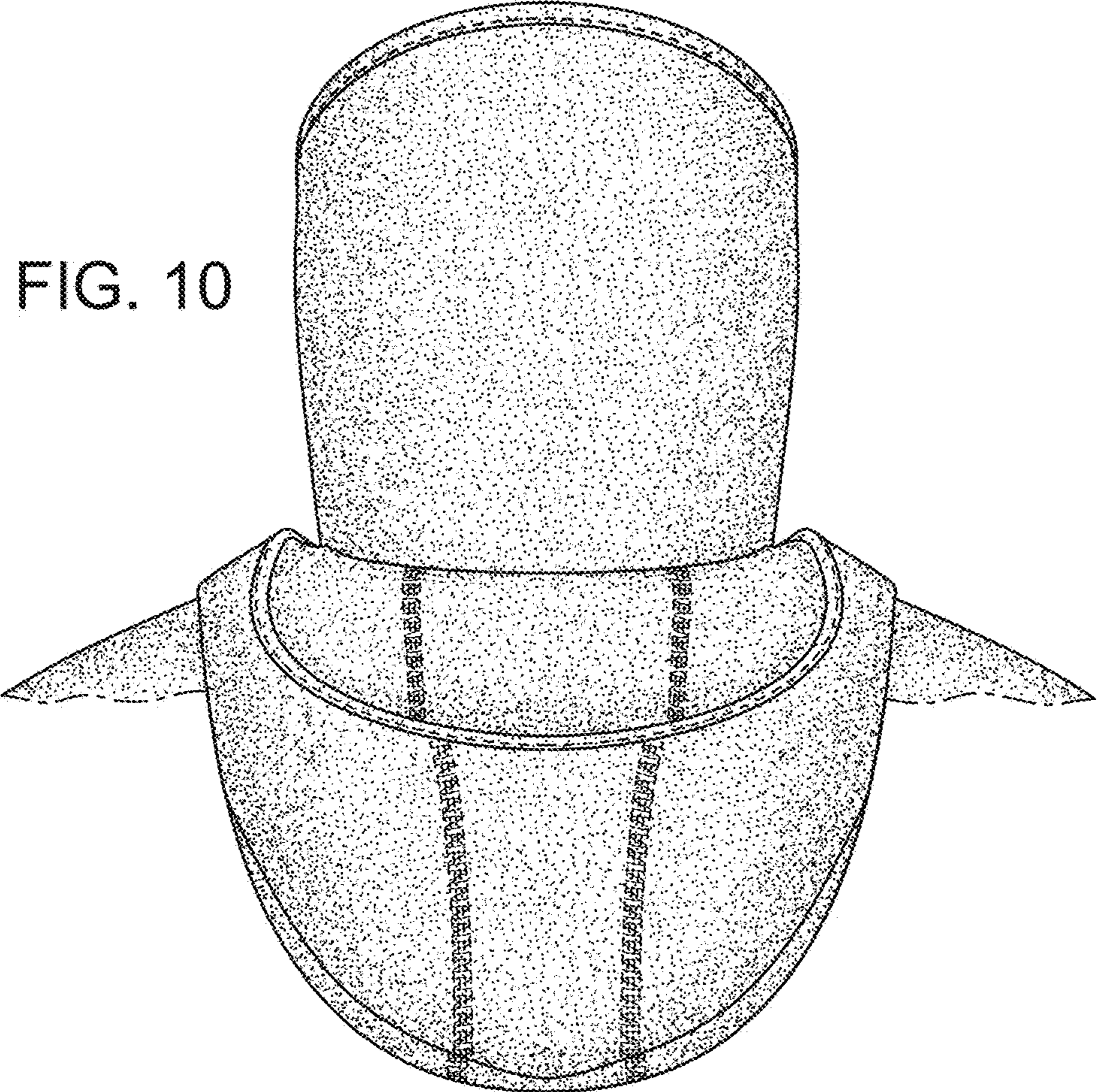


FIG. 10



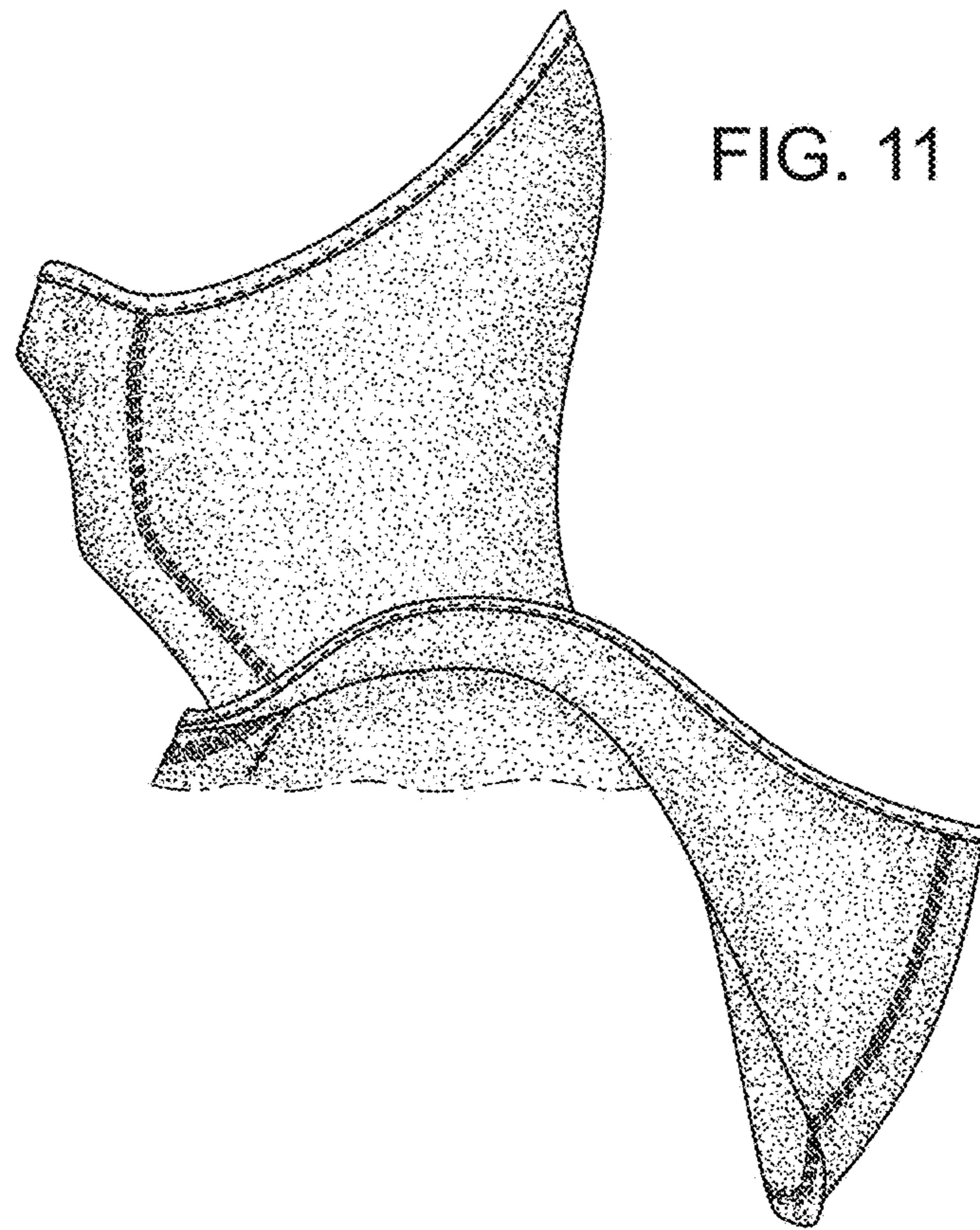


FIG. 11

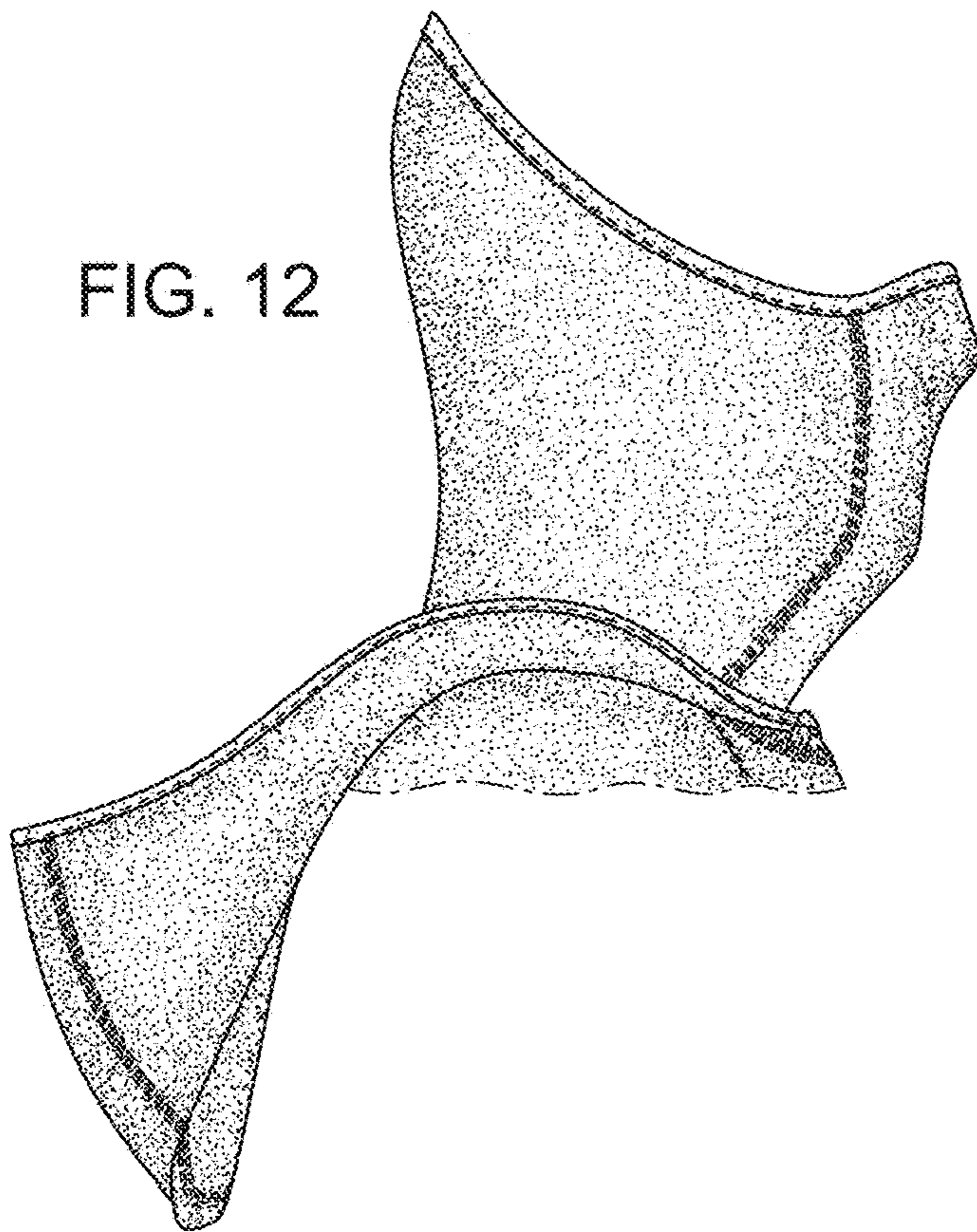


FIG. 12

FIG. 13

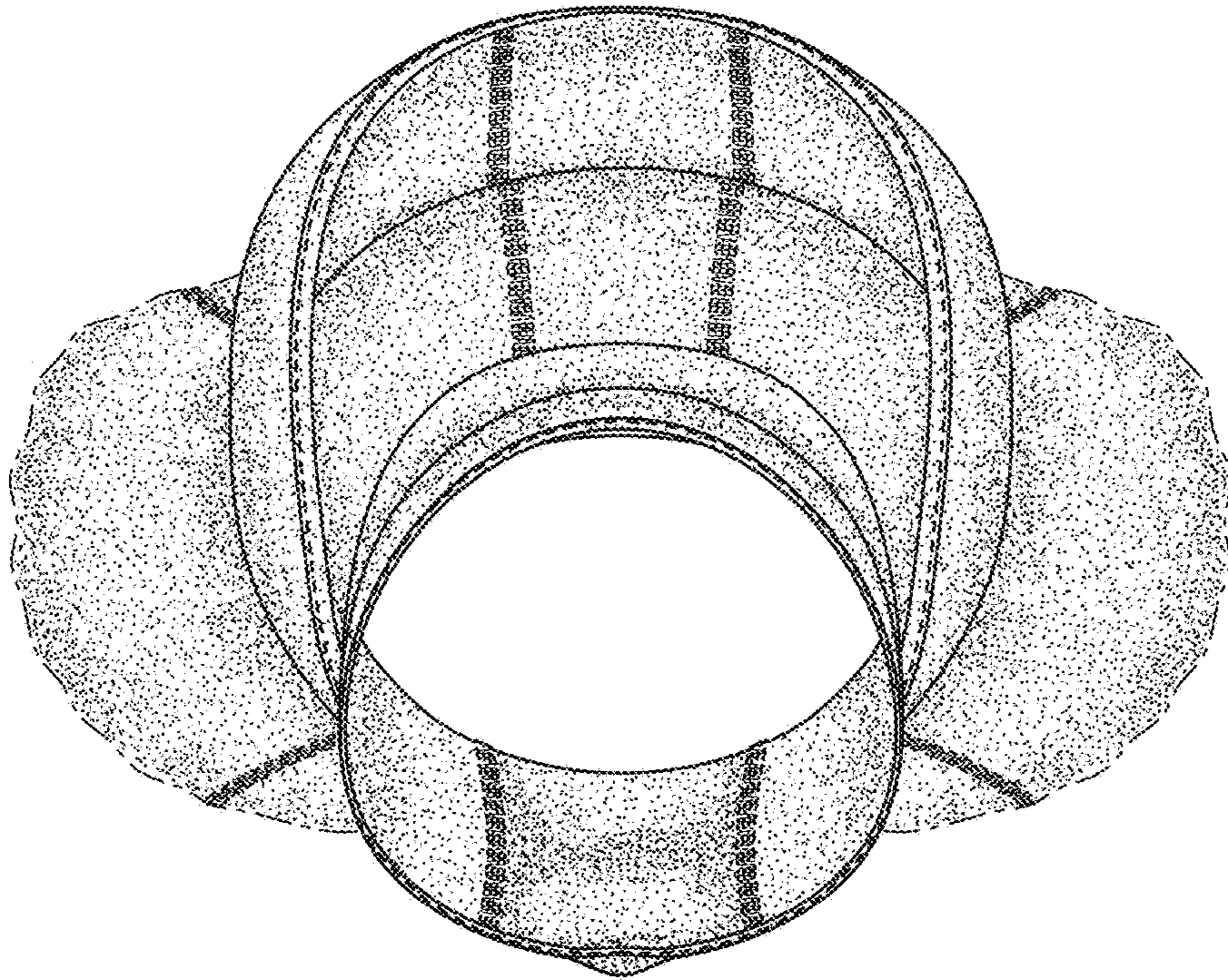


FIG. 14

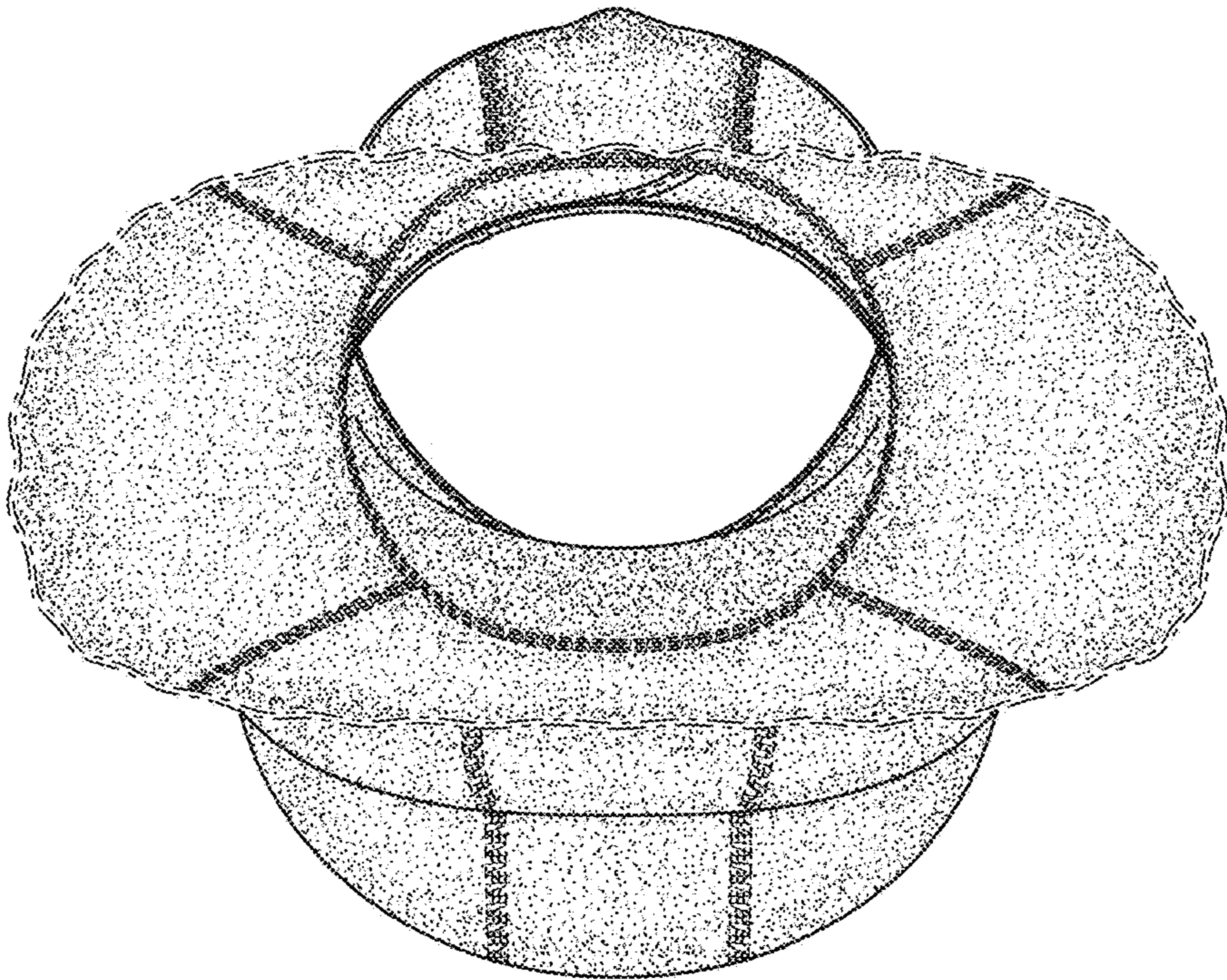


FIG. 15

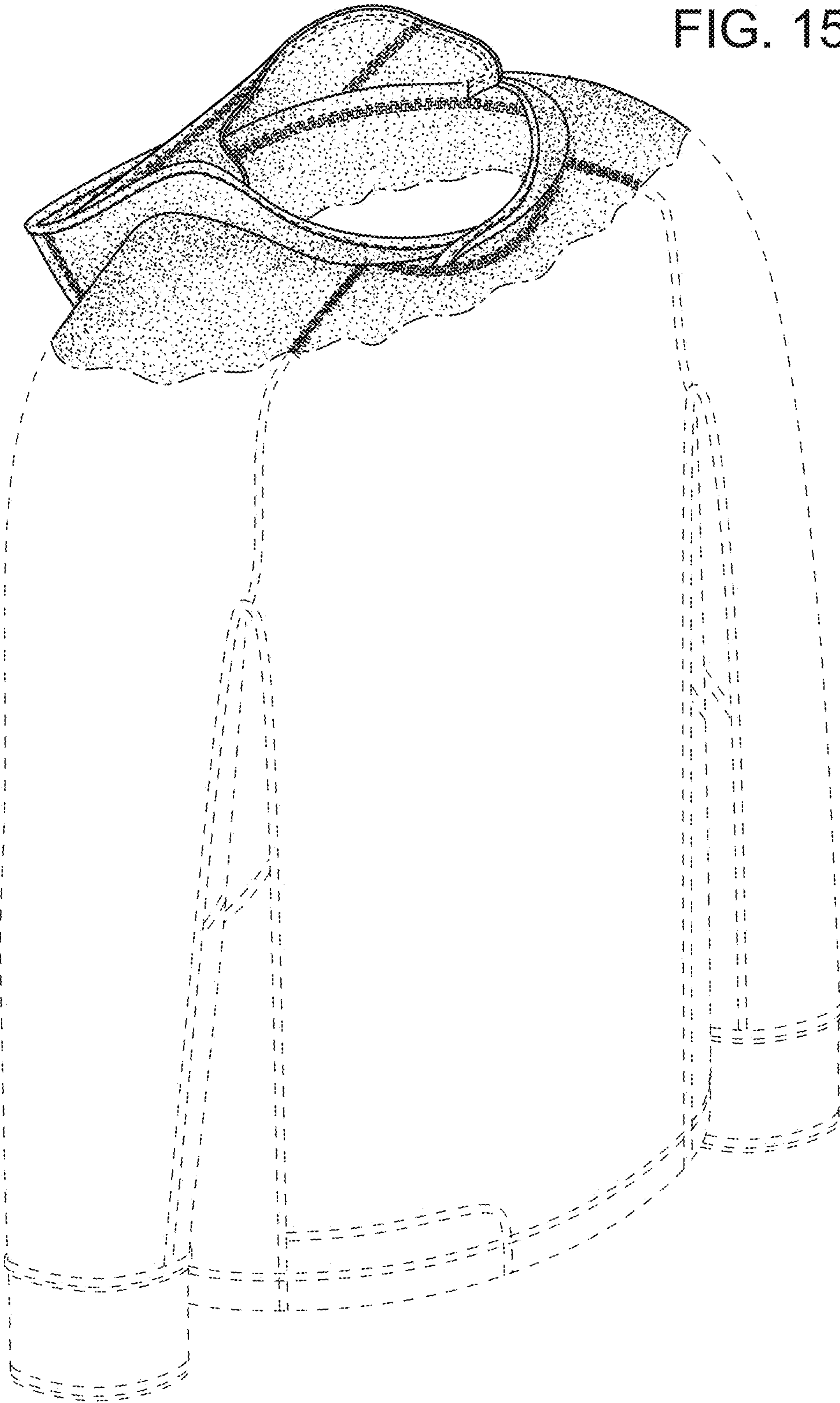


FIG. 16

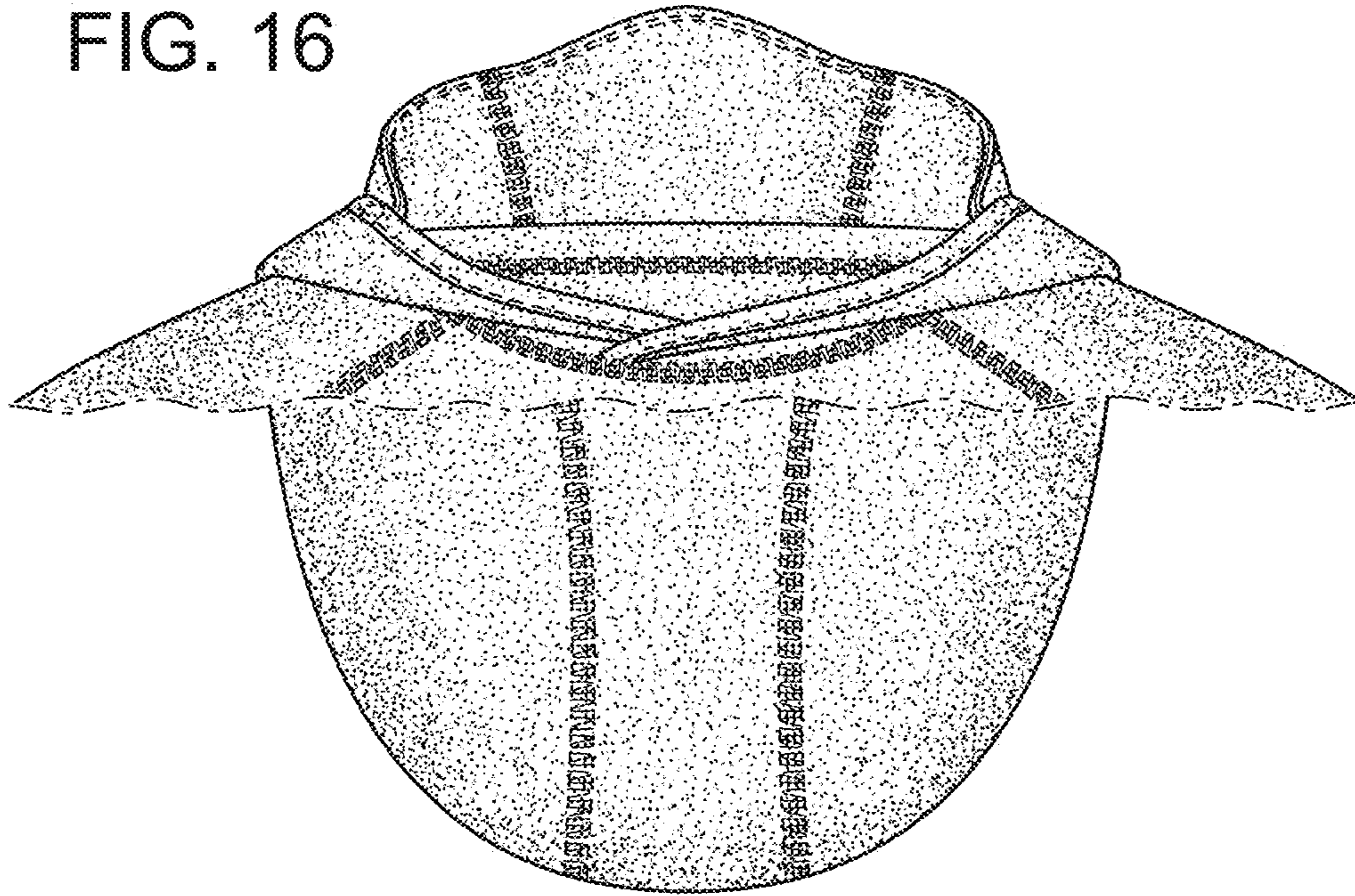
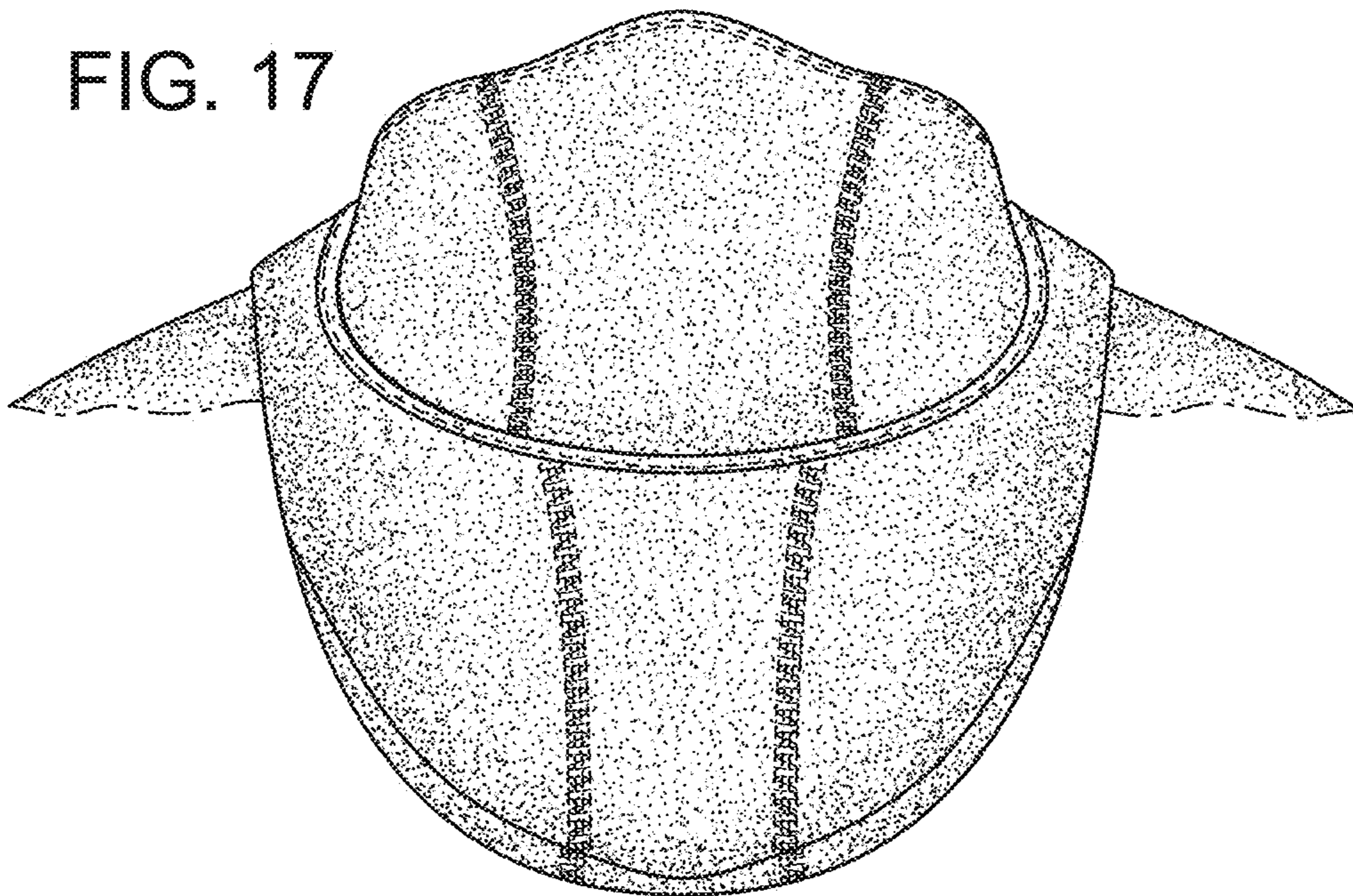


FIG. 17



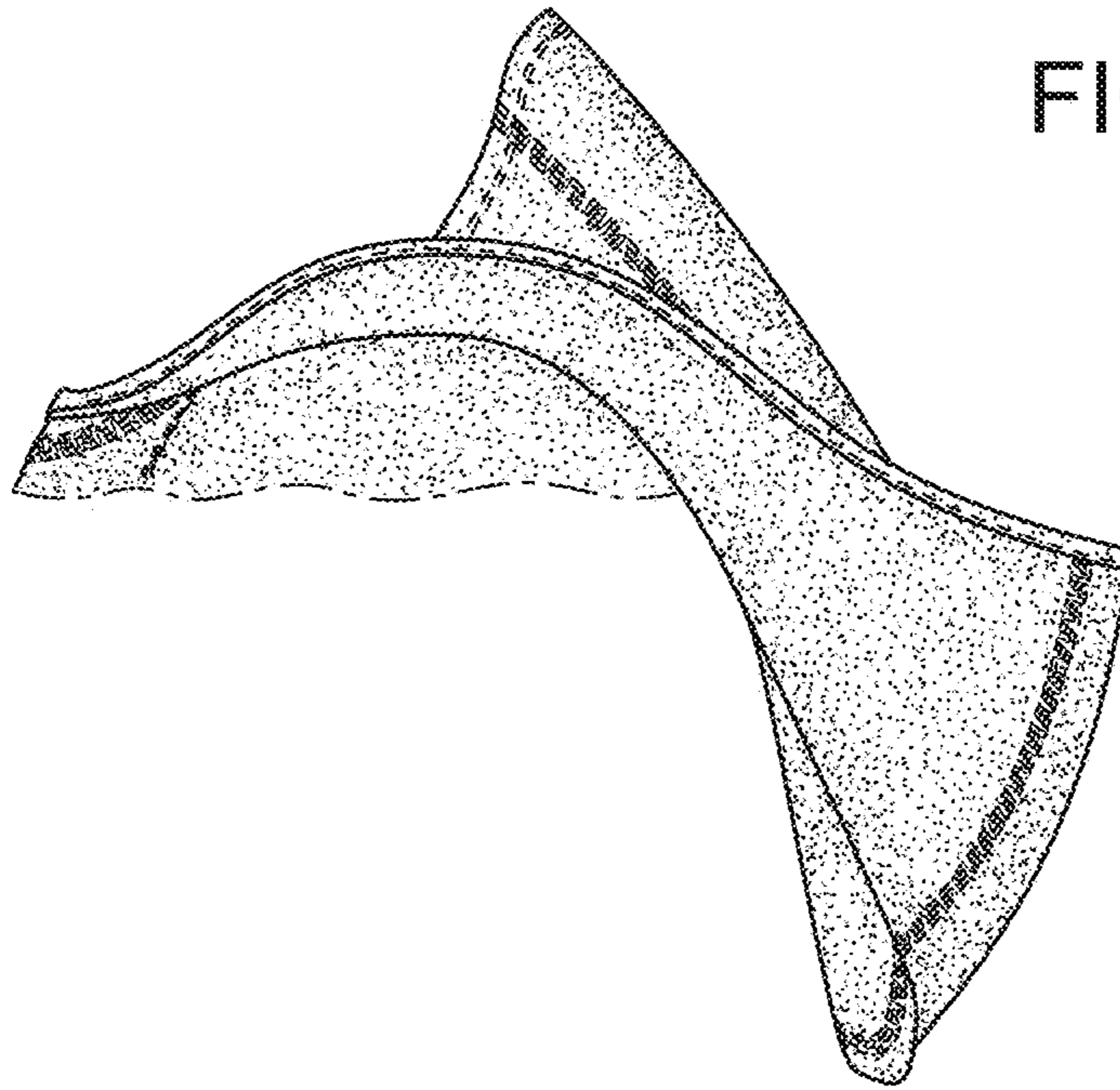


FIG. 18

FIG. 19

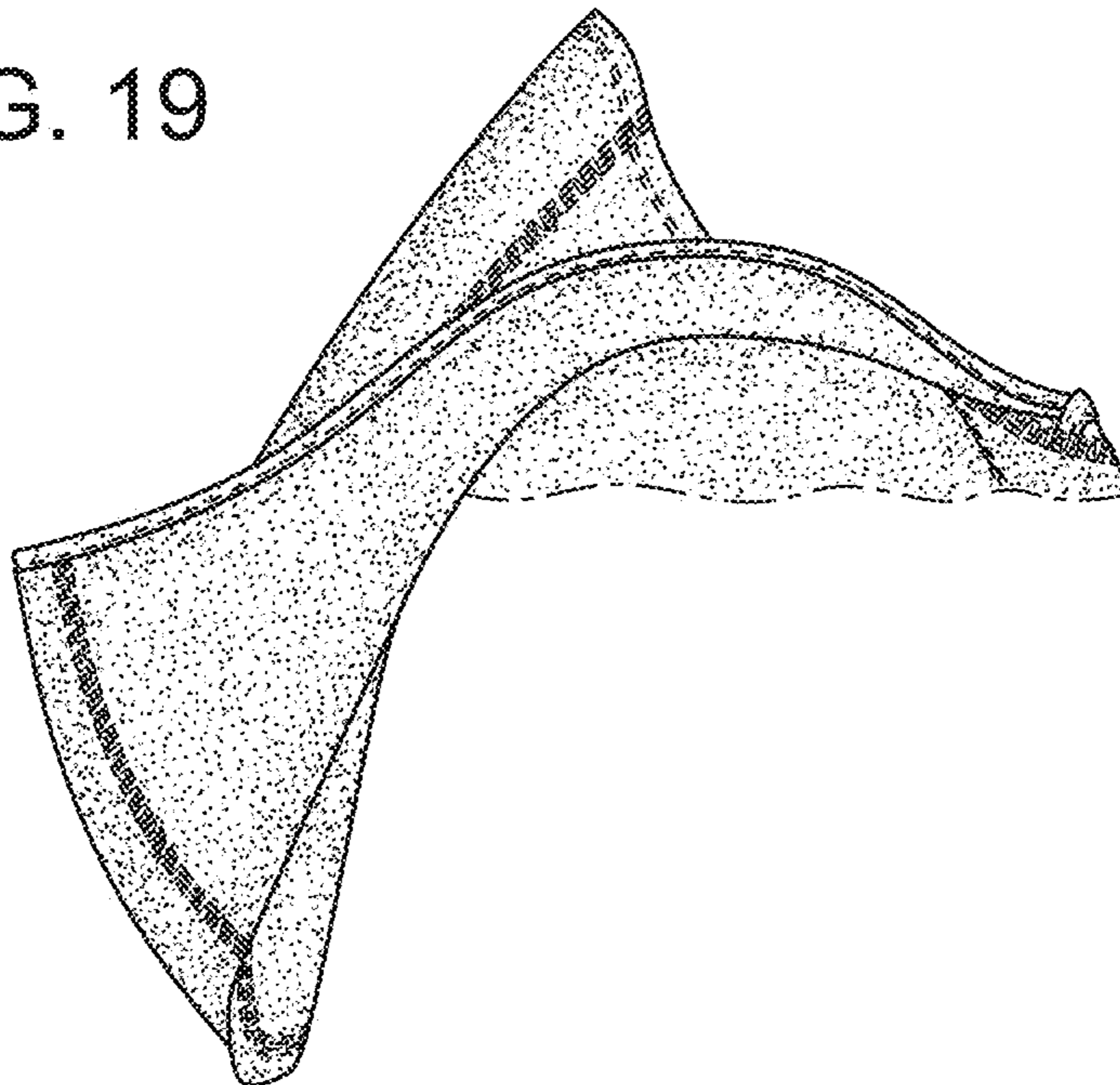


FIG. 20

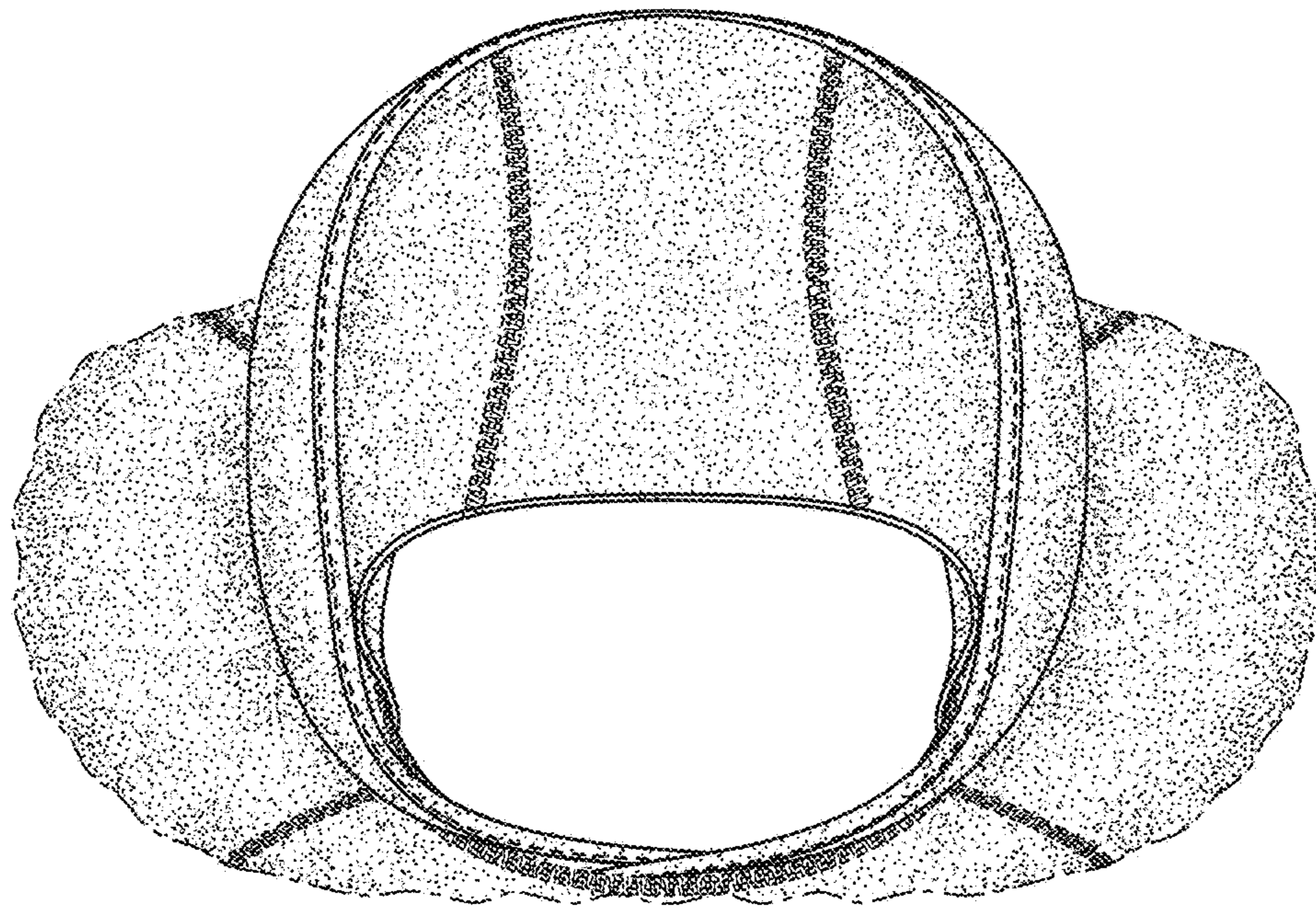


FIG. 21

