

US00D843686S

(12) **United States Design Patent**
Keppler

(10) **Patent No.:** **US D843,686 S**

(45) **Date of Patent:** **** Mar. 26, 2019**

(54) **T-SHIRT**

(71) Applicant: **Brew City Beer Gear, Inc.,**
Milwaukee, WI (US)

(72) Inventor: **George Keppler,** Whitefish Bay, WI
(US)

(73) Assignee: **Brew City Beer Gear, Inc.,**
Milwaukee, WI (US)

(**) Term: **14 Years**

(21) Appl. No.: **29/502,950**

(22) Filed: **Sep. 22, 2014**

(51) **LOC (11) Cl.** **02-04**

(52) **U.S. Cl.**
USPC **D2/717**

(58) **Field of Classification Search**
USPC D2/700, 706, 708, 717, 749-751, 823,
D2/825, 828-831, 839, 858, 728,
D2/840-849

CPC A41D 1/18; A41B 1/00; A41B 1/08; A41B
1/06; A41B 1/01

See application file for complete search history.

(56) **References Cited**

U.S. PATENT DOCUMENTS

4,866,791	A *	9/1989	Carver	A41D 1/18 2/106
D333,030	S *	2/1993	Wilkes	D2/840
5,960,476	A *	10/1999	Danzy	A41D 27/08 2/115
D600,879	S *	9/2009	Accardi	D2/717
D614,834	S *	5/2010	Rhodes	D2/717
D632,056	S	2/2011	Pijut		
8,196,221	B2	6/2012	Fuwauasa et al.		
D664,739	S *	8/2012	Gibson	D2/840
D669,251	S *	10/2012	Abbey	D2/840
8,549,667	B1	10/2013	Fuller		

D714,522	S *	10/2014	Boyer	D2/717
2006/0070166	A1 *	4/2006	Matt	A41D 1/00 2/113
2007/0056074	A1 *	3/2007	Esses	A41D 1/04 2/69
2009/0158489	A1 *	6/2009	White	A41D 27/08 2/69
2009/0199325	A1 *	8/2009	Fuwauasa	A41D 27/08 2/244
2010/0058511	A1 *	3/2010	Lee	A41D 27/085 2/69
2010/0064915	A1 *	3/2010	Skarpetis	A41D 27/08 101/129
2010/0071109	A1 *	3/2010	Gibson	A41D 27/08 2/69
2011/0179545	A1	7/2011	Rummel		
2012/0023636	A1 *	2/2012	Gibson	A41D 27/08 2/69

* cited by examiner

Primary Examiner — Rashida C. Walshon

(74) *Attorney, Agent, or Firm* — Brian G. Gilpin; Godfrey & Kahn S.C.

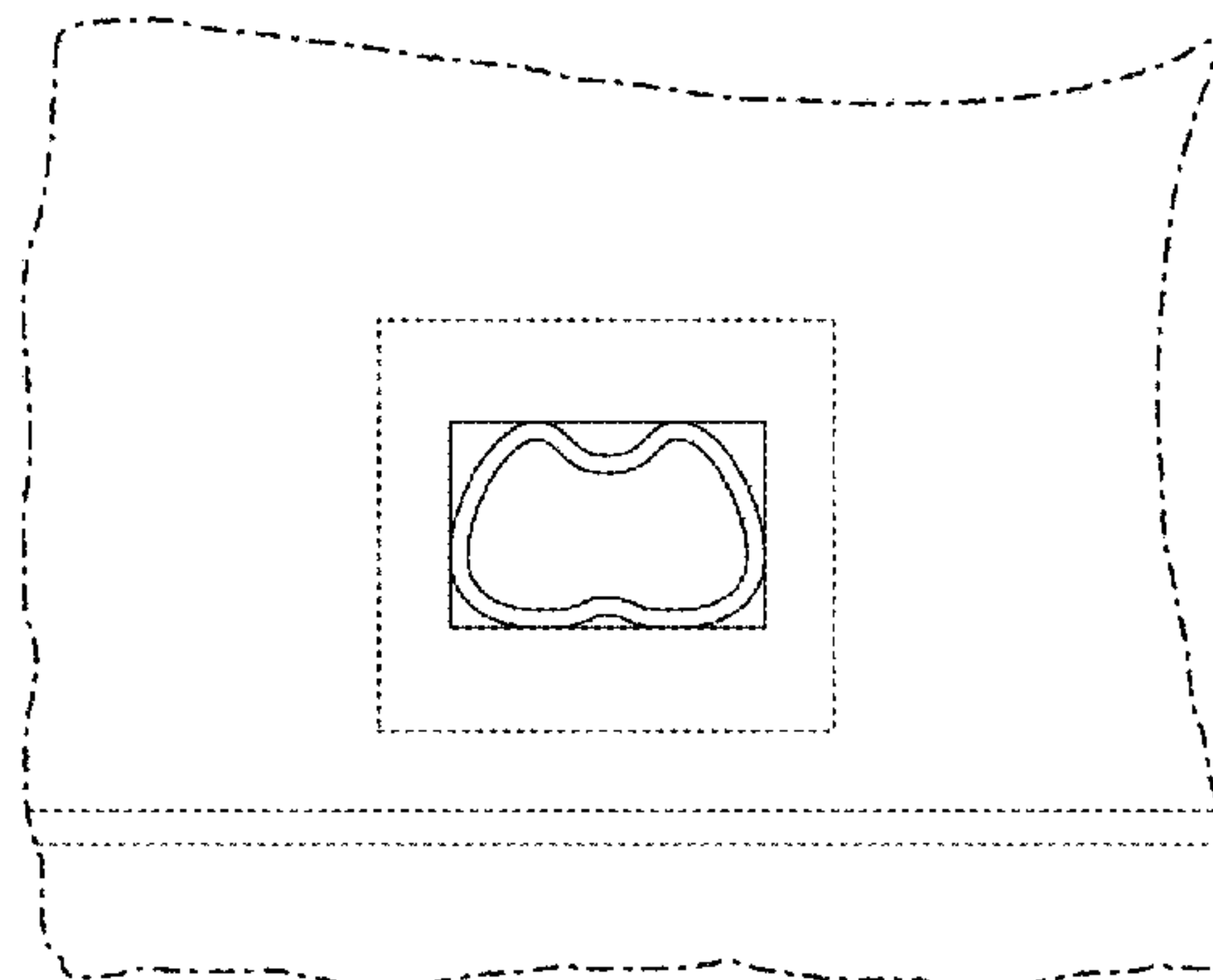
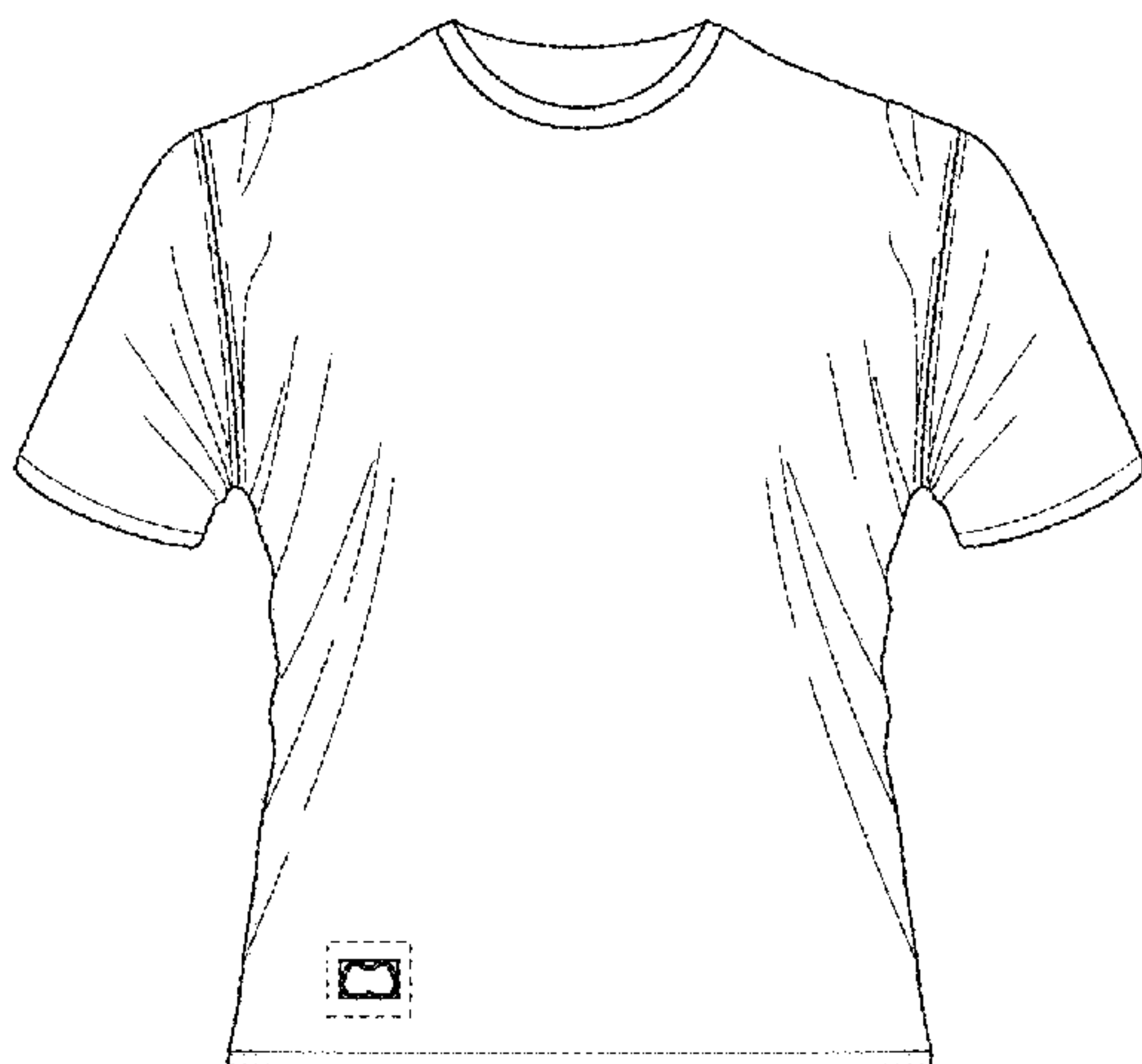
(57) **CLAIM**

The ornamental design for a t-shirt, substantially as shown and described.

DESCRIPTION

FIG. 1 is a right side view of the t-shirt design; FIG. 2 is a front view of the t-shirt of FIG. 1; FIG. 3 is a back view of the t-shirt of FIG. 1; FIG. 4 is a left side view of the t-shirt of FIG. 1; FIG. 5 is a top view of the t-shirt of FIG. 1; FIG. 6 is a top view of the t-shirt of FIG. 1; and, FIG. 7 is an enlarged fragmentary view of the underside of the front, rights bottom corner of the t-shirt in FIG. 1. The dashed lines in the drawings represent stitching and the broken lines in FIG. 7 represent the edge of the fragmentary view.

1 Claim, 4 Drawing Sheets



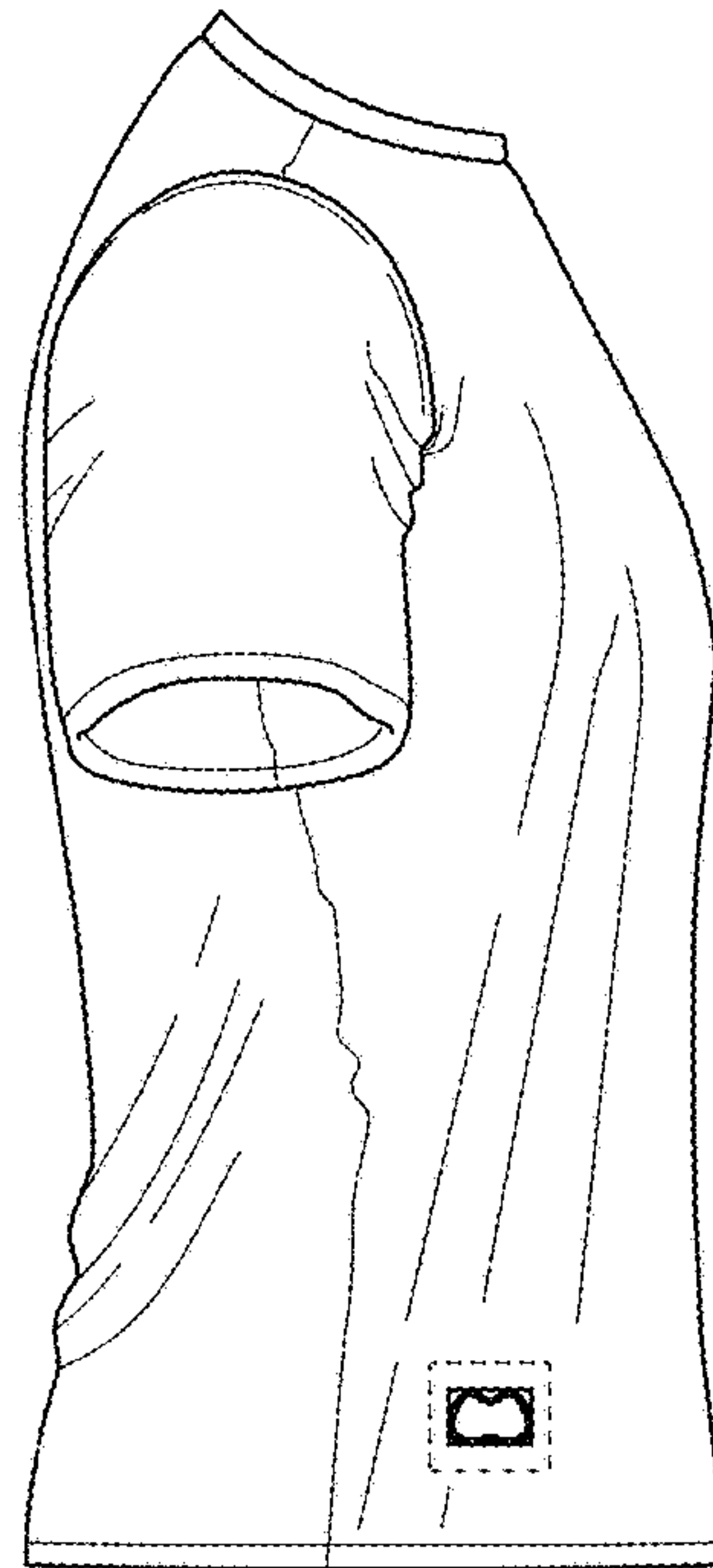


FIG. 1

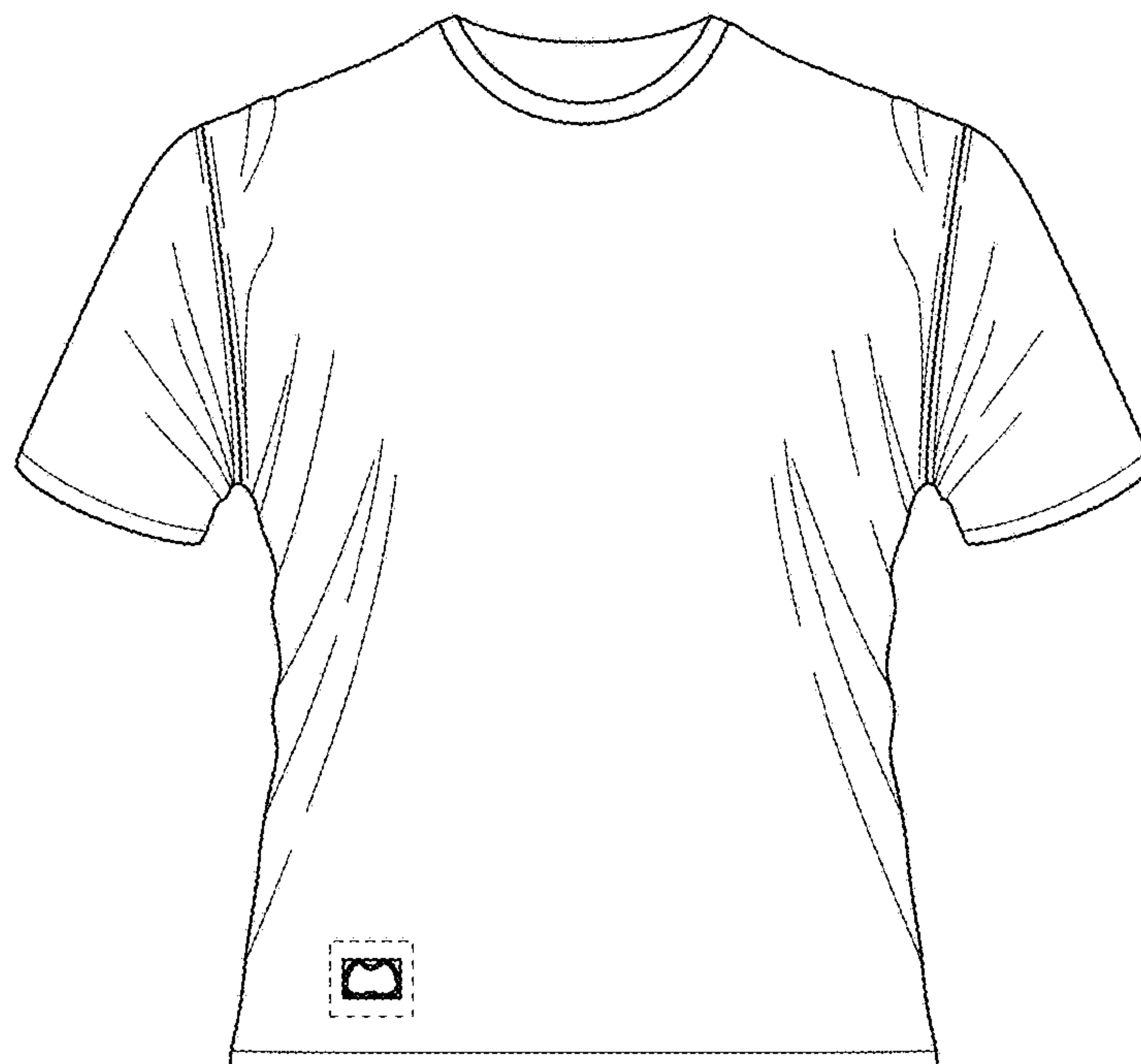


FIG. 2

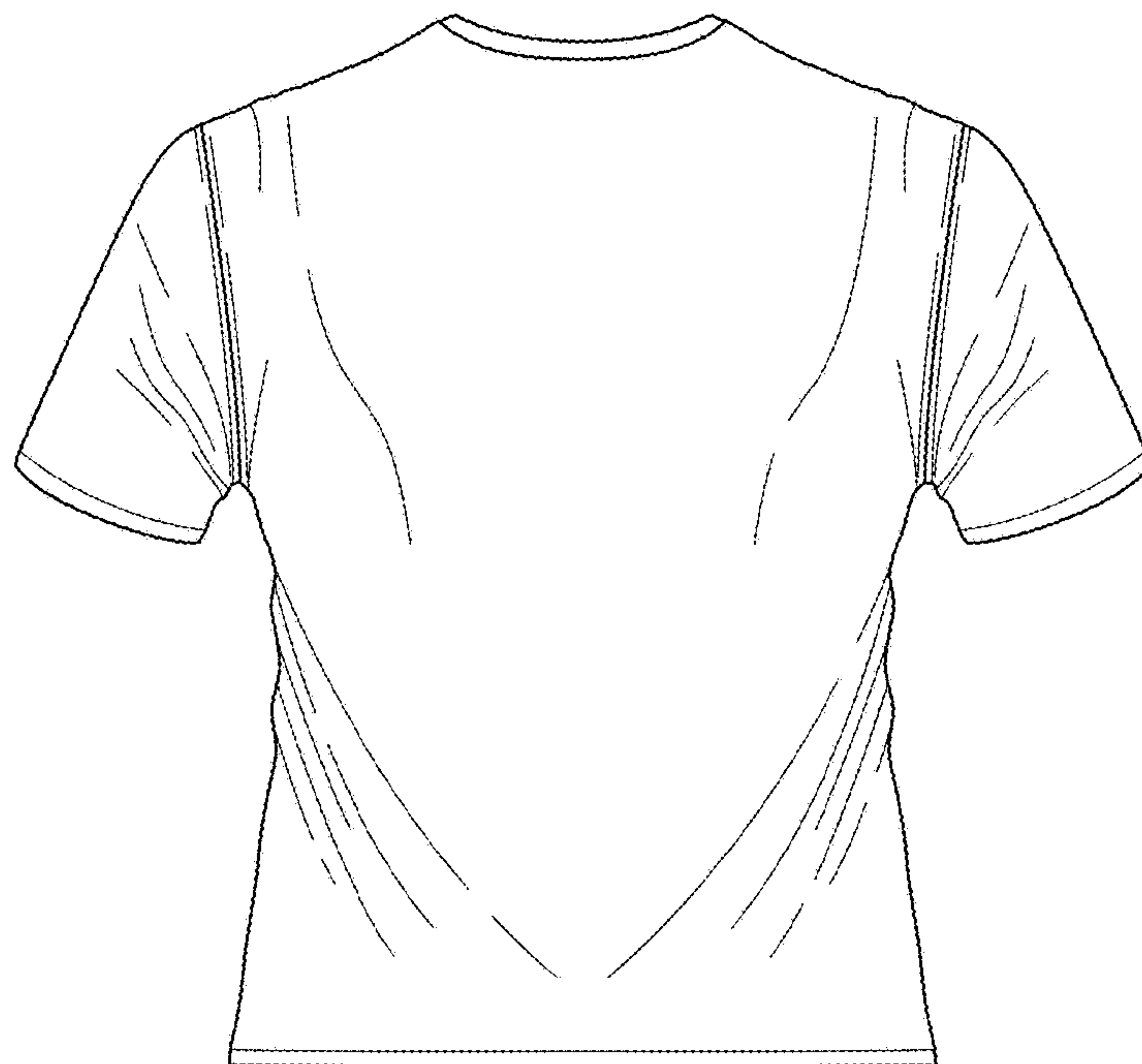


FIG. 3

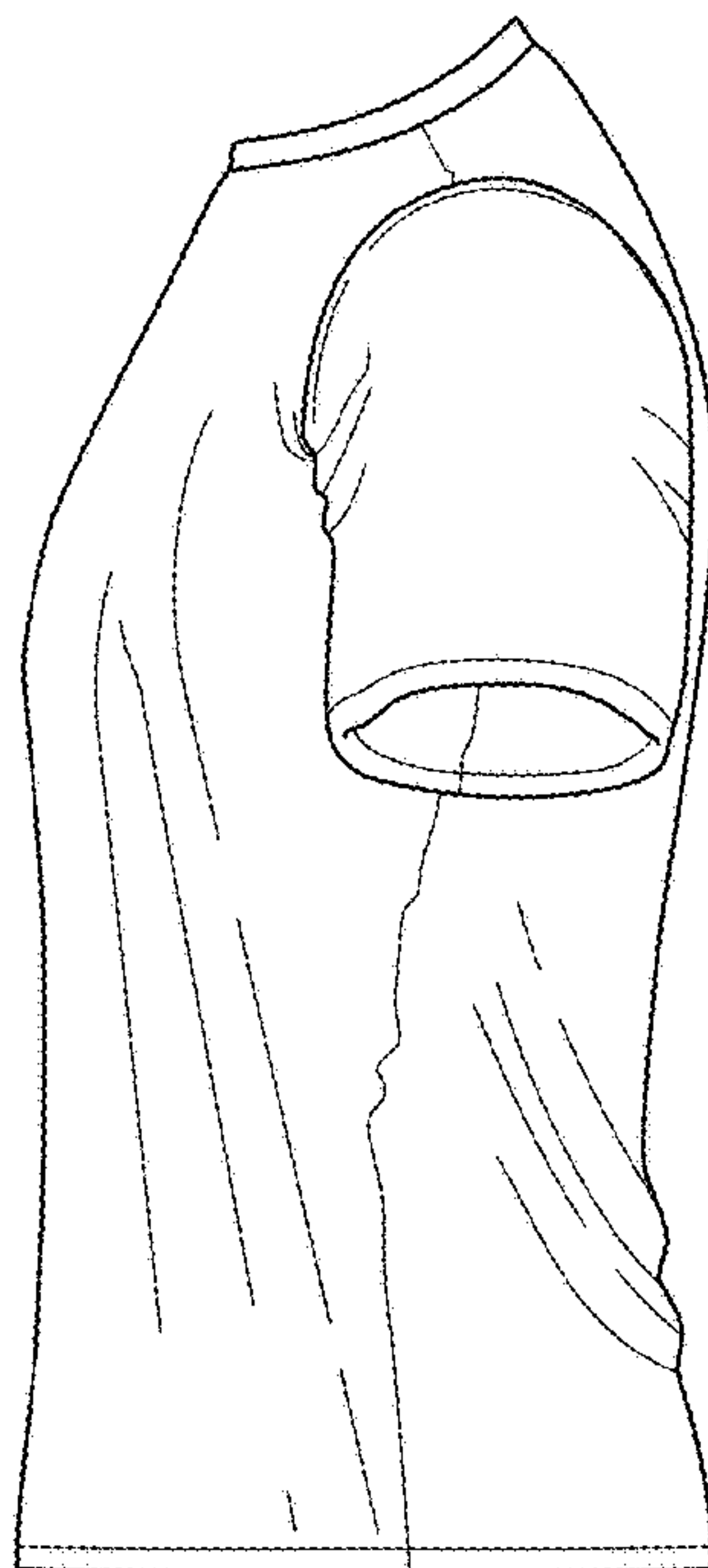


FIG. 4

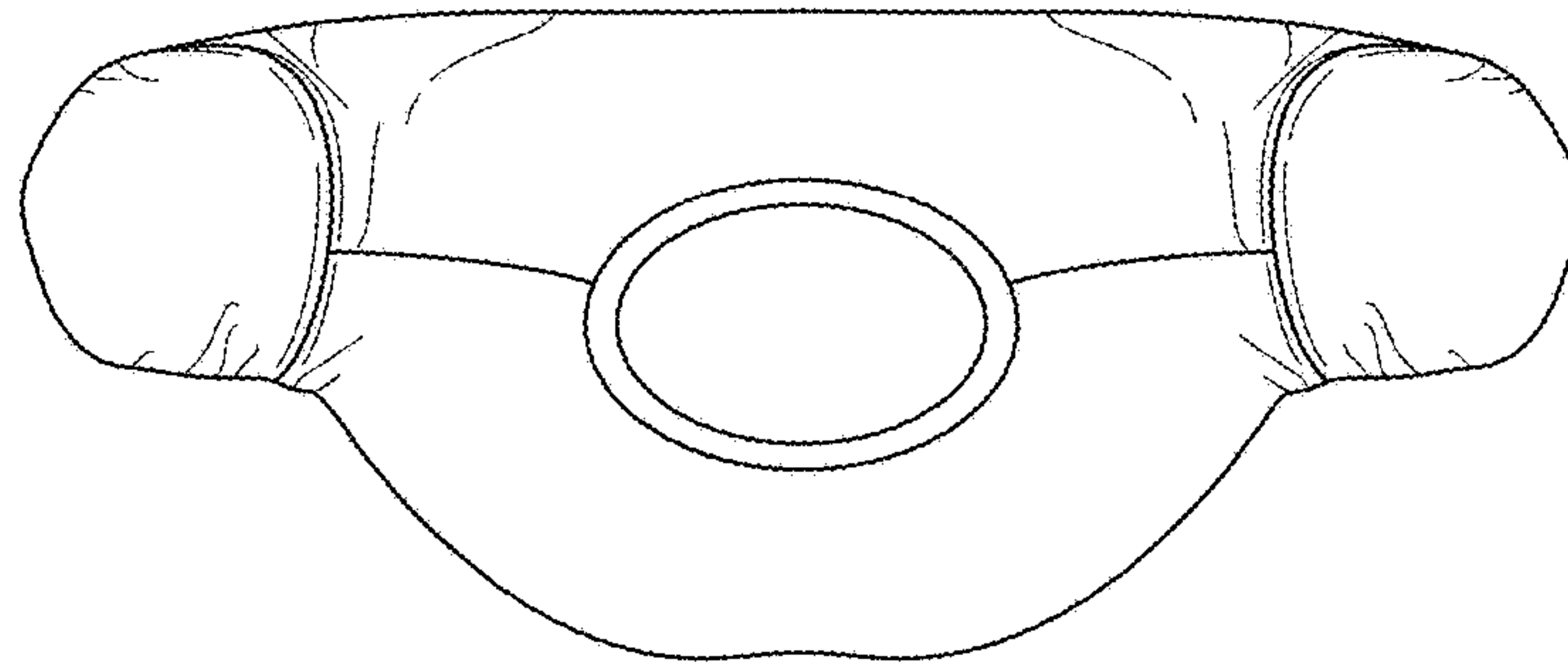


FIG. 5

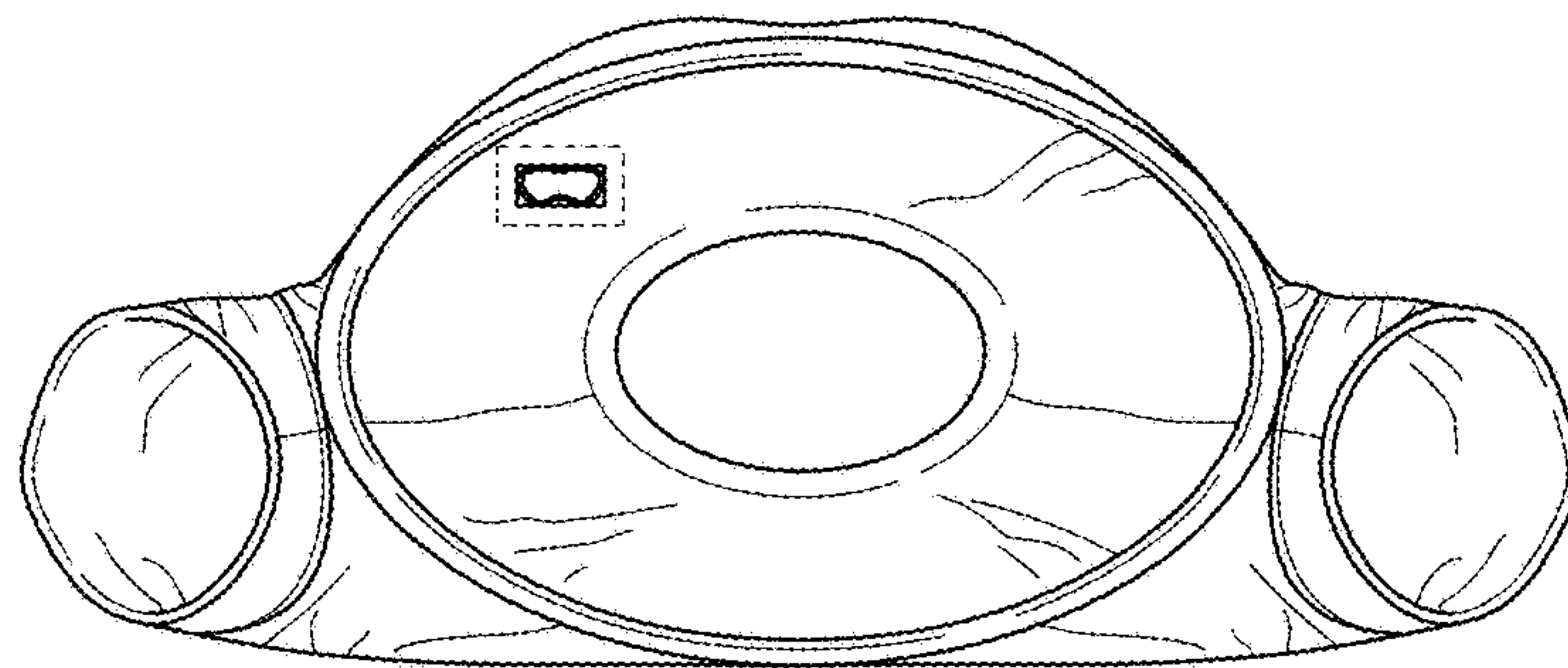


FIG. 6

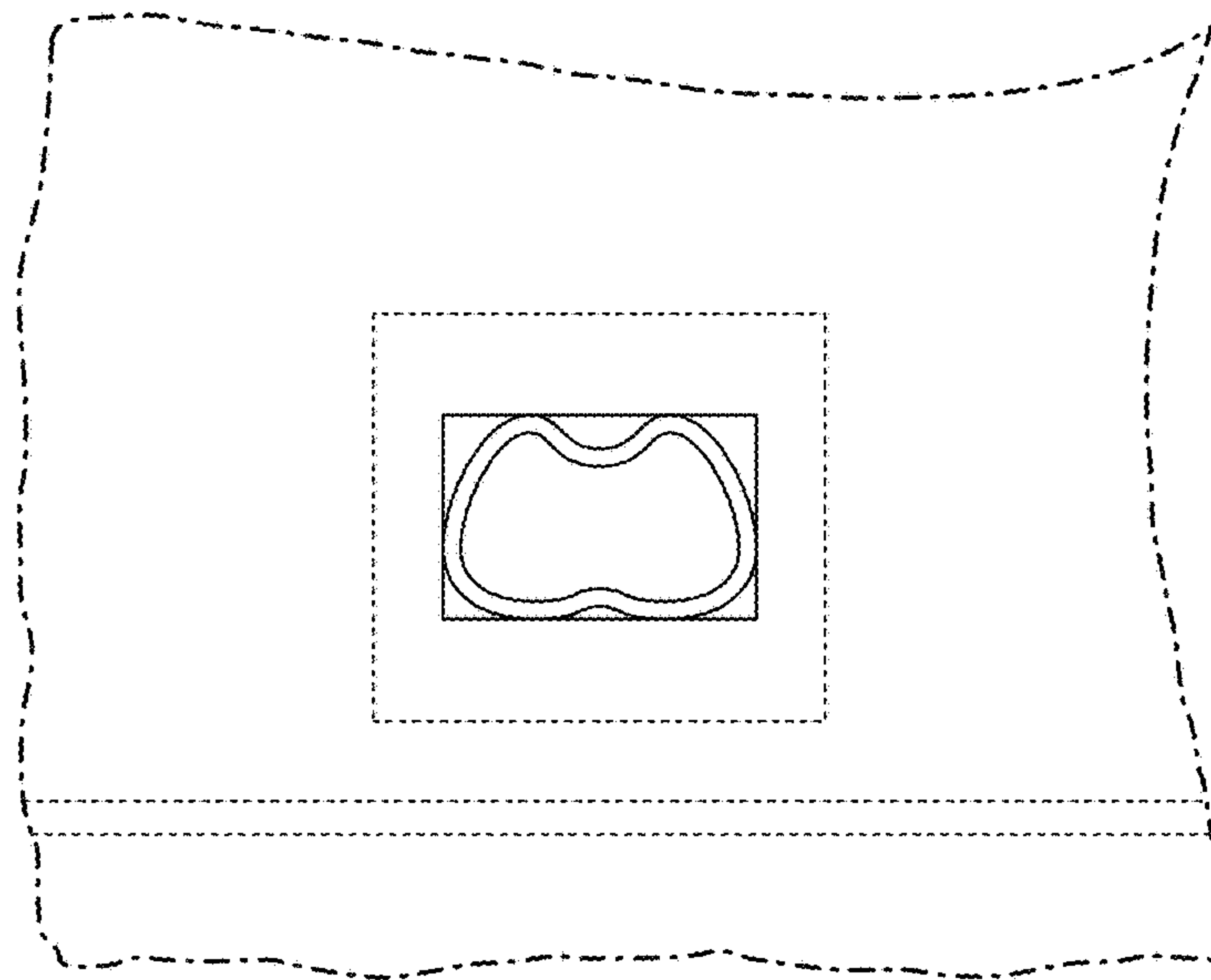


FIG. 7