



US00D843680S

(12) **United States Design Patent** (10) **Patent No.:** **US D843,680 S**  
**Becattini, Jr. et al.** (45) **Date of Patent:** **\*\* Mar. 26, 2019**

(54) **PET CHEW TOY**  
(71) Applicant: **Towerstar Pets, LLC**, Malvern, PA (US)  
(72) Inventors: **Fernando Becattini, Jr.**, Malvern, PA (US); **Fernando Becattini, Sr.**, Devon, PA (US); **Jacquelyn N. Becattini**, Malvern, PA (US); **Steve A. Copeland**, Barrie (CA); **Mitchell Thompson**, Barrie (CA)  
(73) Assignee: **Towerstar Pets, LLC**, Malvern, PA (US)

D261,823 S 11/1981 Gamm  
4,455,074 A 6/1984 Wong et al.  
D274,649 S 7/1984 Shiu  
4,460,264 A 7/1984 Winter  
4,505,563 A 3/1985 Wong et al.  
D279,406 S 6/1985 Shiu  
4,525,048 A 6/1985 Wong et al.  
4,525,051 A 6/1985 Wong et al.  
D281,816 S 12/1985 Conn, Sr. et al.  
4,575,580 A 3/1986 Jandrell  
4,602,859 A 7/1986 Chan  
D286,215 S 10/1986 Pataki  
4,656,400 A 4/1987 Pailthorp et al.  
D290,755 S 7/1987 Hung  
4,695,936 A 9/1987 Whittle  
D299,648 S 1/1989 Yoshiharu

(Continued)

(\*\*) Term: **15 Years**

**FOREIGN PATENT DOCUMENTS**

(21) Appl. No.: **29/637,706**

DE 3850663 2/1995  
DE 68926760 10/1996

(22) Filed: **Feb. 21, 2018**

(Continued)

(51) **LOC (11) Cl.** ..... **01-01**

*Primary Examiner* — Katie Jane Stofko

(52) **U.S. Cl.**

(74) *Attorney, Agent, or Firm* — Sand, Sebolt & Wernow Co., LPA

USPC ..... **D1/118**; D1/199

(58) **Field of Classification Search**

(57) **CLAIM**

USPC ..... D1/100–130, 199; 426/5, 76, 87, 92, 94, 426/95, 99, 101, 103, 108, 138–139, 143, 426/144, 279, 282, 283, 391, 514, 549, 426/660; D13/100; D24/211, 212, 215; D28/8.1; 424/467; 425/195; 34/296; D6/601; D9/453

The ornamental design for a pet chew toy, as shown and described.

CPC .. A61K 9/2072; A61K 9/0004; A61K 9/2095; A61K 9/209

**DESCRIPTION**

See application file for complete search history.

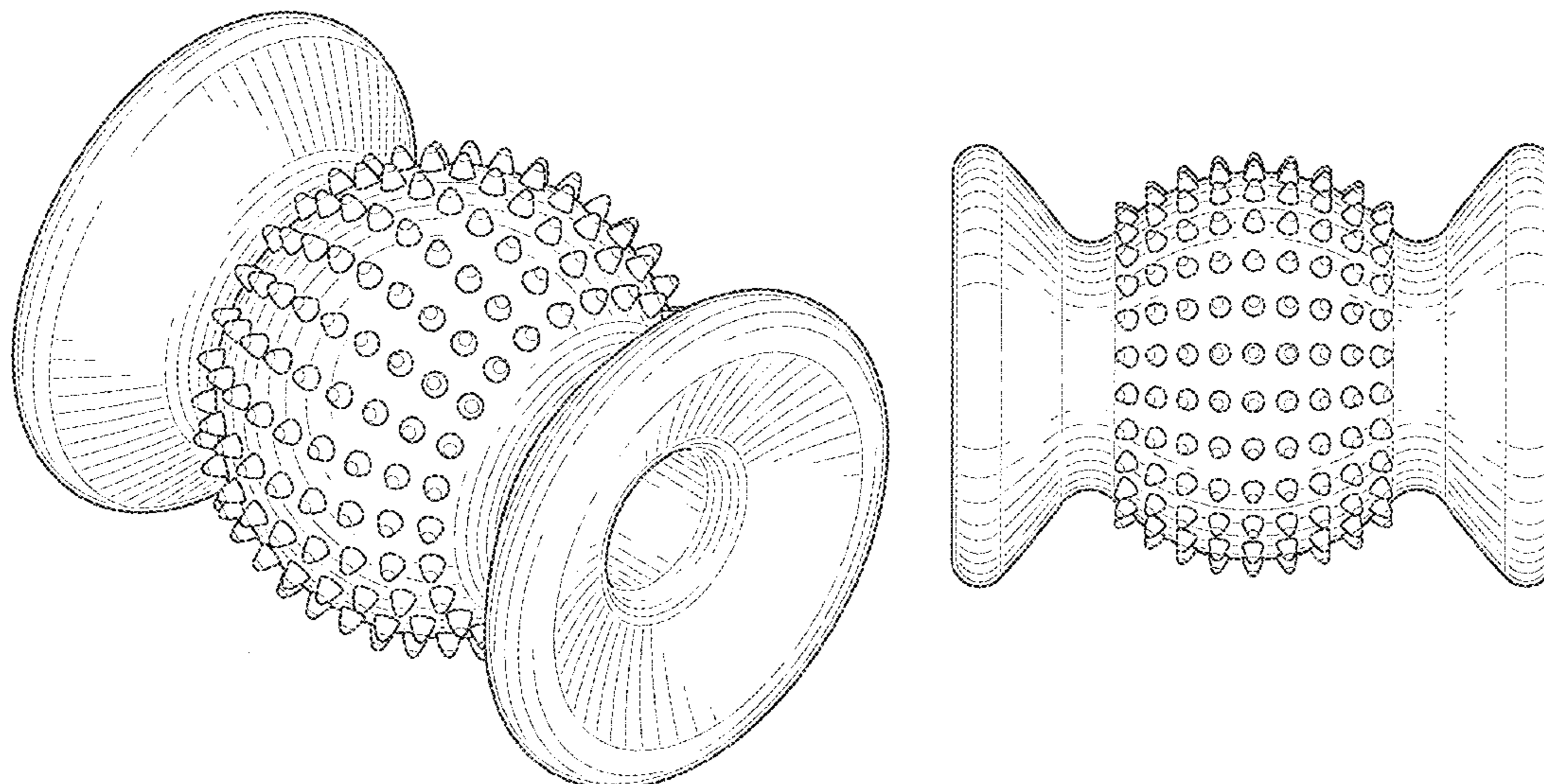
FIG. 1 is a perspective view of a pet chew toy in accordance with our design;  
FIG. 2 is a front elevation view thereof;  
FIG. 3 is a rear elevation view thereof;  
FIG. 4 is a top plan view thereof;  
FIG. 5 is a bottom plan view thereof;  
FIG. 6 is a right side elevation view thereof;  
FIG. 7 is a left side elevation view thereof; and,  
FIG. 8 is a section taken along line 8-8 of FIG. 6.

(56) **References Cited**

**U.S. PATENT DOCUMENTS**

D119,035 S \* 2/1940 Lindgren ..... 601/27  
3,037,500 A 6/1962 Daugherty  
4,023,227 A 5/1977 Chauvier  
D253,373 S 11/1979 Celeste

**1 Claim, 5 Drawing Sheets**



(56)

References Cited

U.S. PATENT DOCUMENTS

4,802,444 A 2/1989 Markham et al.  
D300,317 S 3/1989 Yoshiharu  
4,813,907 A 3/1989 Rissman et al.  
D300,741 S 4/1989 Yoshiharu  
D301,231 S 5/1989 Yoshiharu  
D301,464 S 6/1989 Yoshiharu  
D302,155 S 7/1989 Yoshiharu  
D306,234 S 2/1990 Ferstl  
D307,339 S 4/1990 Markham et al.  
D308,122 S 5/1990 Markham et al.  
D315,029 S 2/1991 Kwan  
D316,318 S 4/1991 Cheang  
5,015,939 A 5/1991 Konecny  
D317,805 S 6/1991 Swan  
D318,663 S 7/1991 Frisinger  
5,097,403 A 3/1992 Smith  
D326,362 S 5/1992 Bertwell  
D326,562 S 6/1992 Bertwell  
RE34,352 E 8/1993 Markham et al.  
D342,977 S 1/1994 Appel  
D344,161 S 2/1994 Markham  
D344,949 S 3/1994 So  
D349,786 S 8/1994 Markham  
5,393,231 A 2/1995 Mak  
D356,685 S 3/1995 Bertwell  
D357,952 S 5/1995 Chen  
5,411,470 A 5/1995 Liptak et al.  
5,426,354 A 6/1995 Bausch  
5,427,456 A 6/1995 Hensel  
5,433,529 A 7/1995 Hensel  
5,485,807 A 1/1996 Bertwell et al.  
D373,859 S 9/1996 Markham et al.  
5,640,931 A 6/1997 Markham  
D387,513 S 12/1997 Mauldin, Jr.  
D388,559 S 12/1997 Mauldin, Jr.  
5,718,516 A 2/1998 Cheever et al.  
D392,576 S 3/1998 Pun  
D393,110 S 3/1998 Mauldin, Jr.  
5,770,906 A 6/1998 Hazelton et al.  
5,813,366 A 9/1998 Mauldin, Jr.  
5,832,877 A 11/1998 Markham  
5,847,479 A 12/1998 Wang et al.  
5,865,146 A 2/1999 Markham  
5,904,118 A 5/1999 Markham  
5,947,061 A 9/1999 Markham et al.  
D420,056 S 2/2000 Mauldin, Jr.  
D427,389 S 6/2000 Baiera et al.  
6,112,703 A \* 9/2000 Handelsman ..... A01K 15/026  
119/707  
6,129,053 A 10/2000 Markham et al.  
6,354,050 B1 3/2002 Pankoski  
6,439,166 B1 8/2002 Markham  
6,546,896 B1 4/2003 Markham  
D478,947 S \* 8/2003 Lu ..... D21/662  
6,625,088 B1 9/2003 Mah et al.  
D481,482 S 10/2003 Mah  
D497,457 S \* 10/2004 Willinger ..... A01K 15/026  
D24/211  
D502,698 S 3/2005 Mah  
7,112,178 B1 9/2006 Roozenburg  
RE39,563 E 4/2007 Markham  
RE40,872 E 8/2009 Markham  
7,895,975 B2 3/2011 Markham  
D636,949 S \* 4/2011 Axelrod ..... D30/160  
D648,034 S \* 11/2011 Rice ..... D24/215  
D658,817 S 5/2012 Costello et al.  
8,167,745 B2 5/2012 Britto et al.  
8,225,747 B2 7/2012 Markham et al.  
D665,136 S 8/2012 Day  
8,276,547 B2 10/2012 Markham  
8,342,132 B2 1/2013 Markham  
8,342,133 B2 1/2013 Markham  
D676,140 S 2/2013 Feightner  
8,393,300 B2 3/2013 Markham et al.  
8,468,977 B2 6/2013 Markham

D687,159 S \* 7/2013 Cho ..... D24/215  
8,474,404 B2 7/2013 Costello  
D688,836 S 8/2013 Costello  
D689,155 S 9/2013 Jahns  
D697,332 S 1/2014 Huang  
D700,755 S 3/2014 Reiss et al.  
D709,559 S \* 7/2014 Baumann ..... D21/398  
D709,564 S \* 7/2014 Baumann ..... D21/398  
8,904,967 B2 12/2014 Reiss et al.  
D722,730 S 2/2015 Simon et al.  
8,978,590 B2 3/2015 Nunn et al.  
D731,685 S \* 6/2015 Young ..... D26/10  
D736,483 S 8/2015 Crane  
D746,002 S 12/2015 Crane  
D749,802 S 2/2016 Crane  
D751,724 S \* 3/2016 Nelson ..... D24/211  
9,282,724 B2 3/2016 Nunn  
9,301,496 B2 4/2016 Reiss et al.  
9,497,934 B2 11/2016 Mak  
9,635,837 B2 5/2017 Simon  
D800,330 S \* 10/2017 Loos ..... D24/211  
D808,033 S \* 1/2018 Clithero ..... D24/211  
D808,088 S 1/2018 Stone  
D809,219 S 1/2018 Wright et al.  
9,961,880 B2 5/2018 Simon et al.  
2004/0083983 A1 5/2004 Markham  
2004/0134446 A1 7/2004 Keller  
2004/0224053 A1 11/2004 Markham et al.  
2004/0224063 A1 11/2004 Markham et al.  
2007/0062459 A1 3/2007 Costello et al.  
2008/0035518 A1 2/2008 Markham  
2015/0201584 A1 7/2015 Crane  
2016/0165844 A1 6/2016 Nunn  
2016/0165845 A1 6/2016 Stone  
2016/0227740 A1 8/2016 Nunn  
2016/0242391 A1 8/2016 Stone et al.  
2016/0309682 A1 10/2016 Stone  
2016/0324123 A1 11/2016 Stone et al.  
2017/0079244 A1 3/2017 Mullin  
2017/0118957 A1 5/2017 Nunn  
2017/0172109 A1 6/2017 Costello  
2017/0290296 A1 10/2017 Simon  
2017/0303508 A1 10/2017 Stone  
2017/0303509 A1 10/2017 Stone  
2017/0303510 A1 10/2017 Stone et al.  
2018/0000047 A1 1/2018 Stone  
2018/0000048 A1 1/2018 Stone et al.

FOREIGN PATENT DOCUMENTS

DE 68927068 1/1997  
DE 69602261 8/1999  
DE 69702856 1/2001  
DE 69804129 7/2002  
DE 69904921 6/2003  
DE 69812090 10/2003  
EP 0367793 7/1994  
EP 0828417 4/1999  
EP 0910242 8/2000  
EP 1032259 3/2002  
EP 1061795 1/2003  
EP 0987938 3/2003  
EP 1763993 3/2007  
EP 3269234 1/2018  
WO 1989000379 1/1989  
WO 1996037098 11/1996  
WO 1997047186 12/1997  
WO 1998056243 12/1998  
WO 199205183 5/1999  
WO 199405763 9/1999  
WO 2004043559 5/2004  
WO 2004100676 11/2004  
WO 2005110071 11/2005  
WO 2008079689 7/2008  
WO 2009020731 2/2009  
WO 2011046764 4/2011  
WO 2012051229 4/2012  
WO 2012078176 6/2012  
WO 2012158742 11/2012

(56)

**References Cited**

FOREIGN PATENT DOCUMENTS

WO	2017074889	5/2017
WO	2017106402	6/2017
WO	2017184344	10/2017

\* cited by examiner

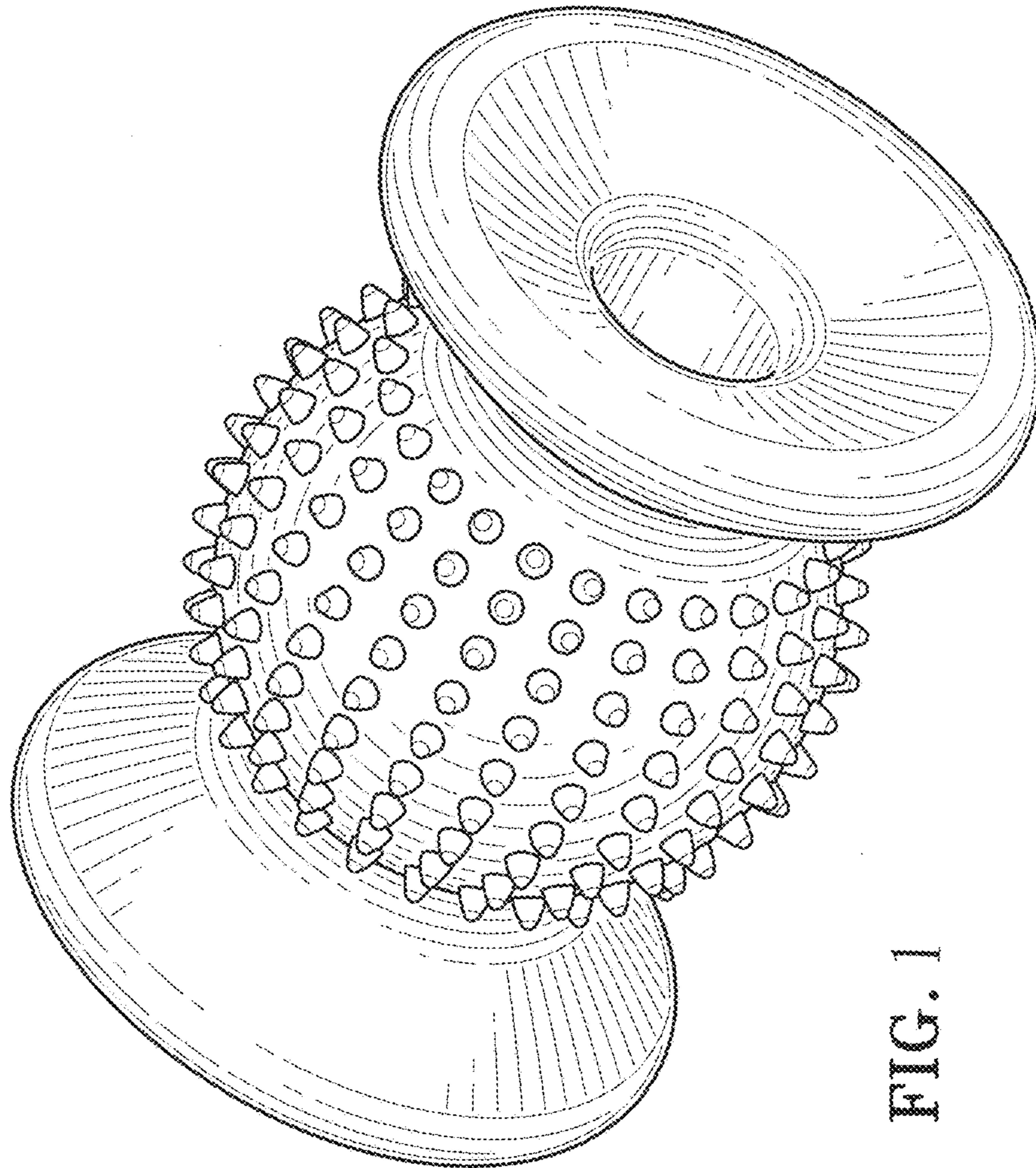


FIG. 1

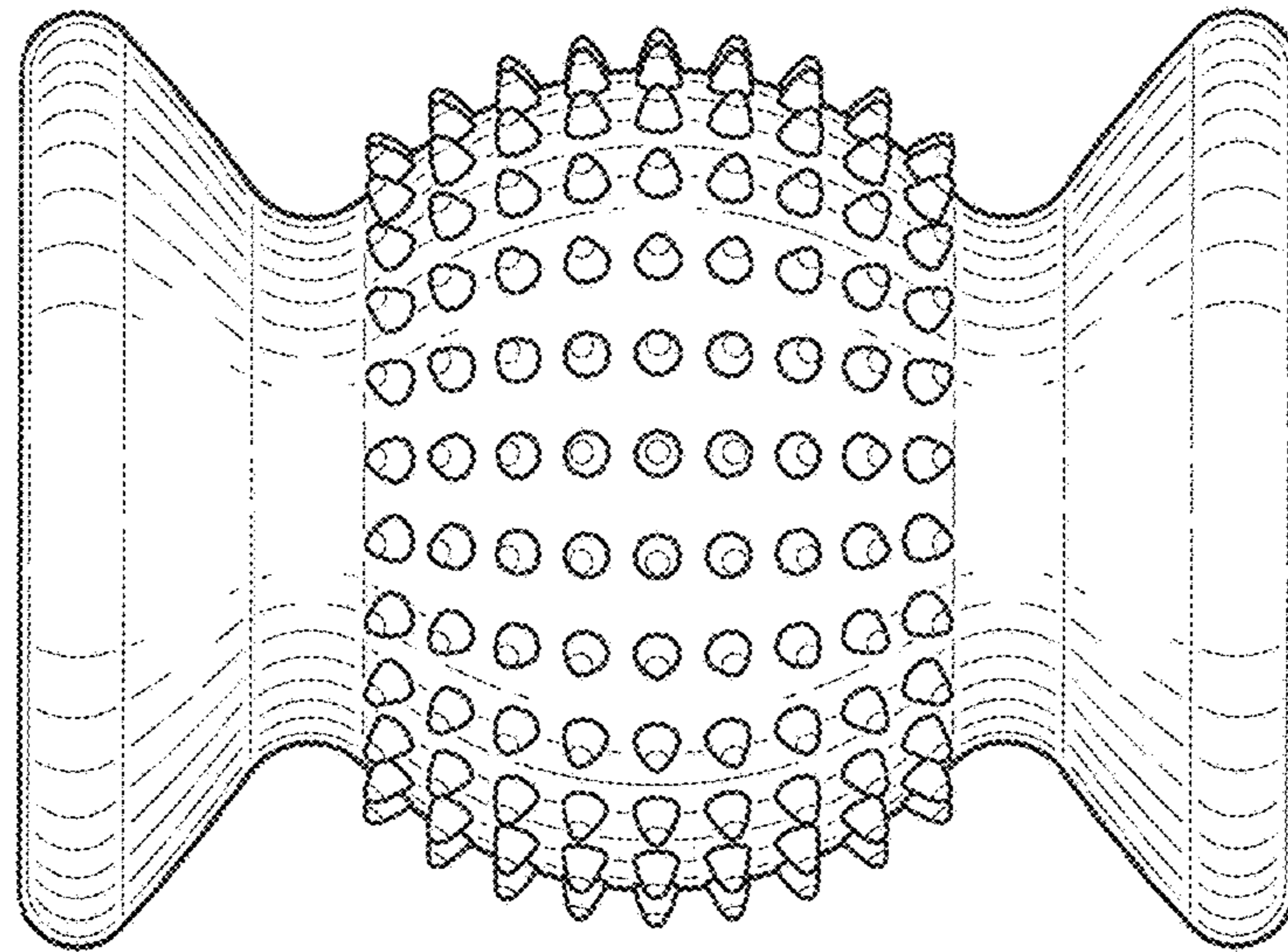


FIG. 2

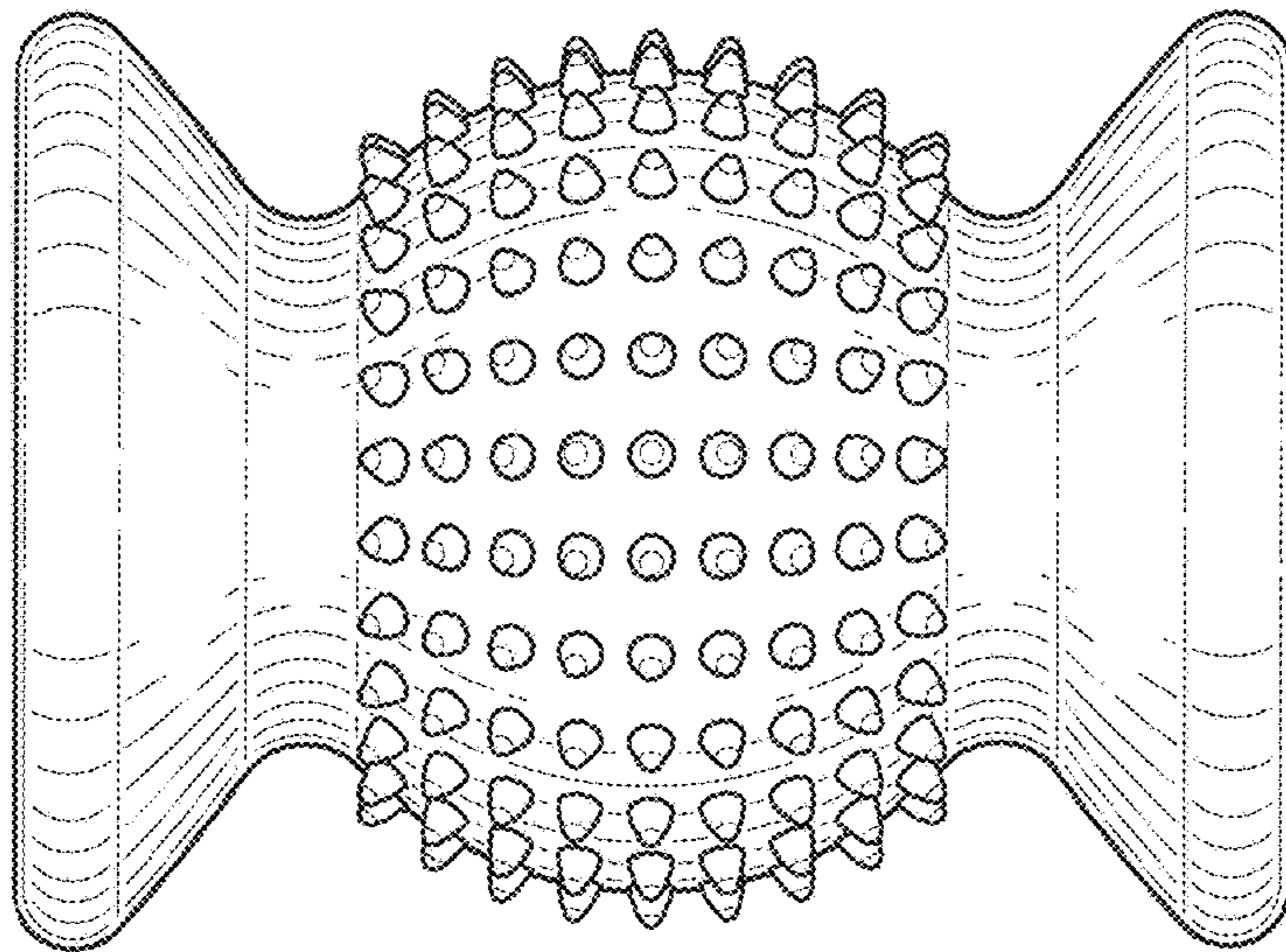


FIG. 3

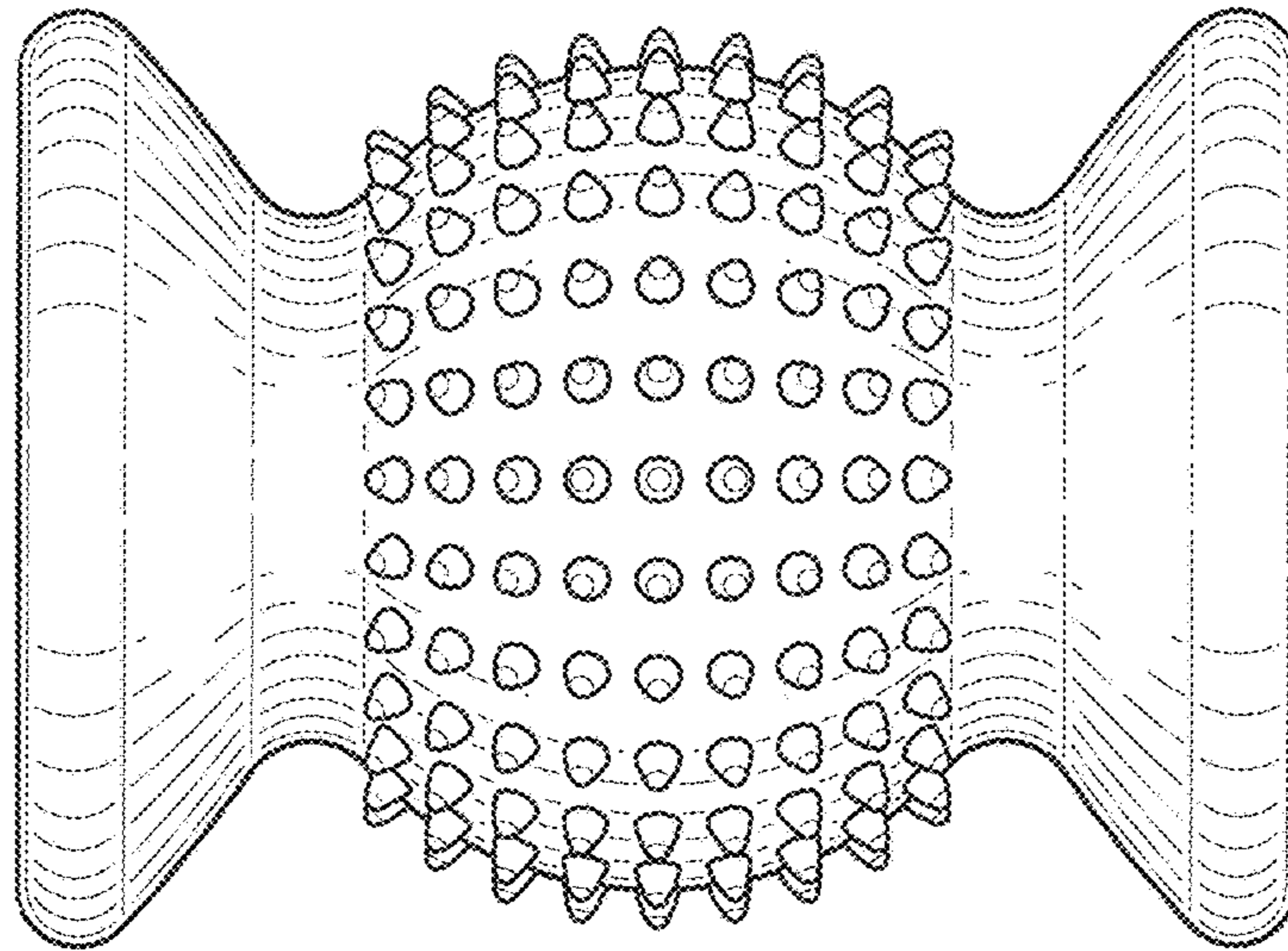


FIG. 4

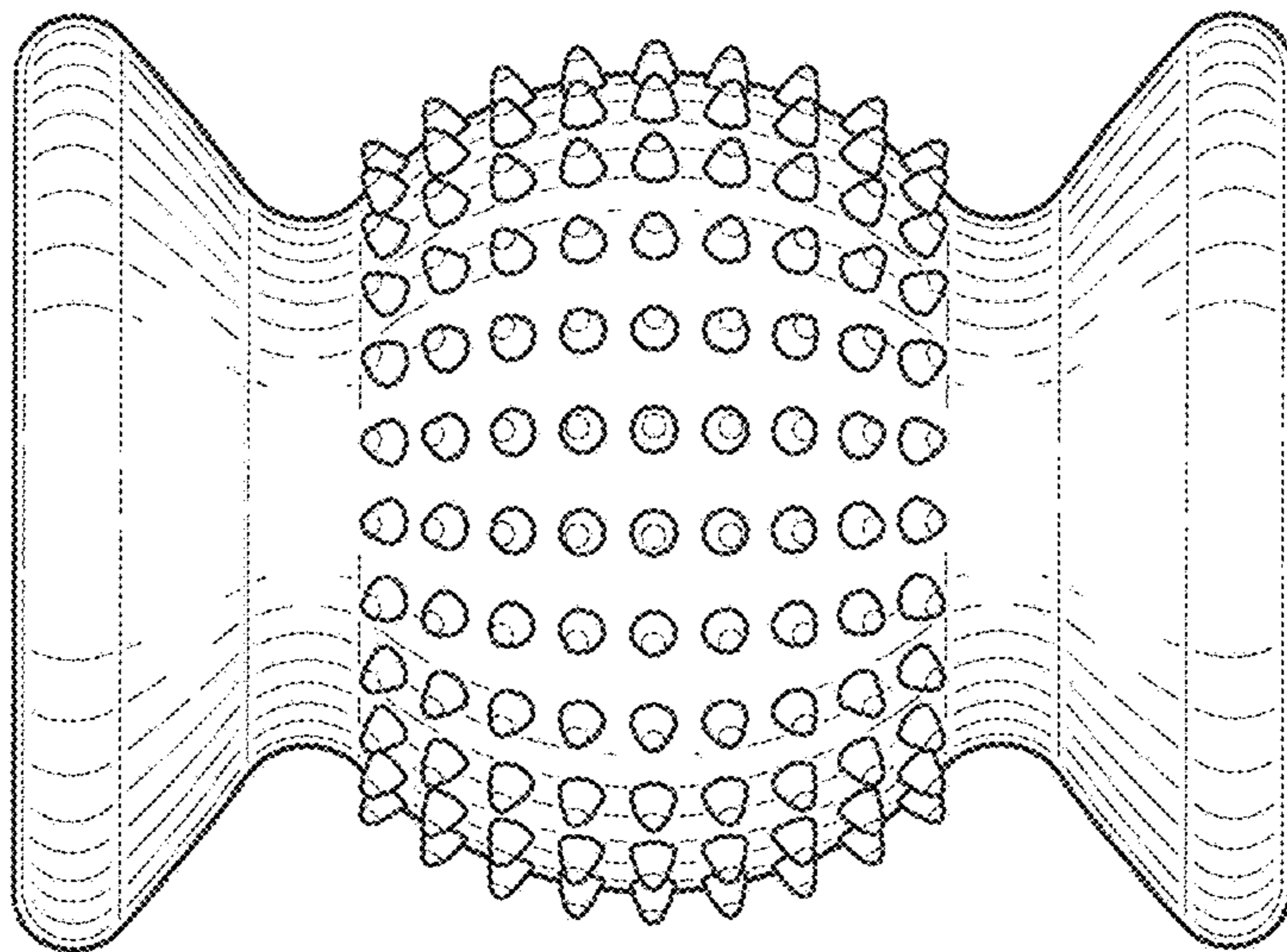


FIG. 5

FIG.6

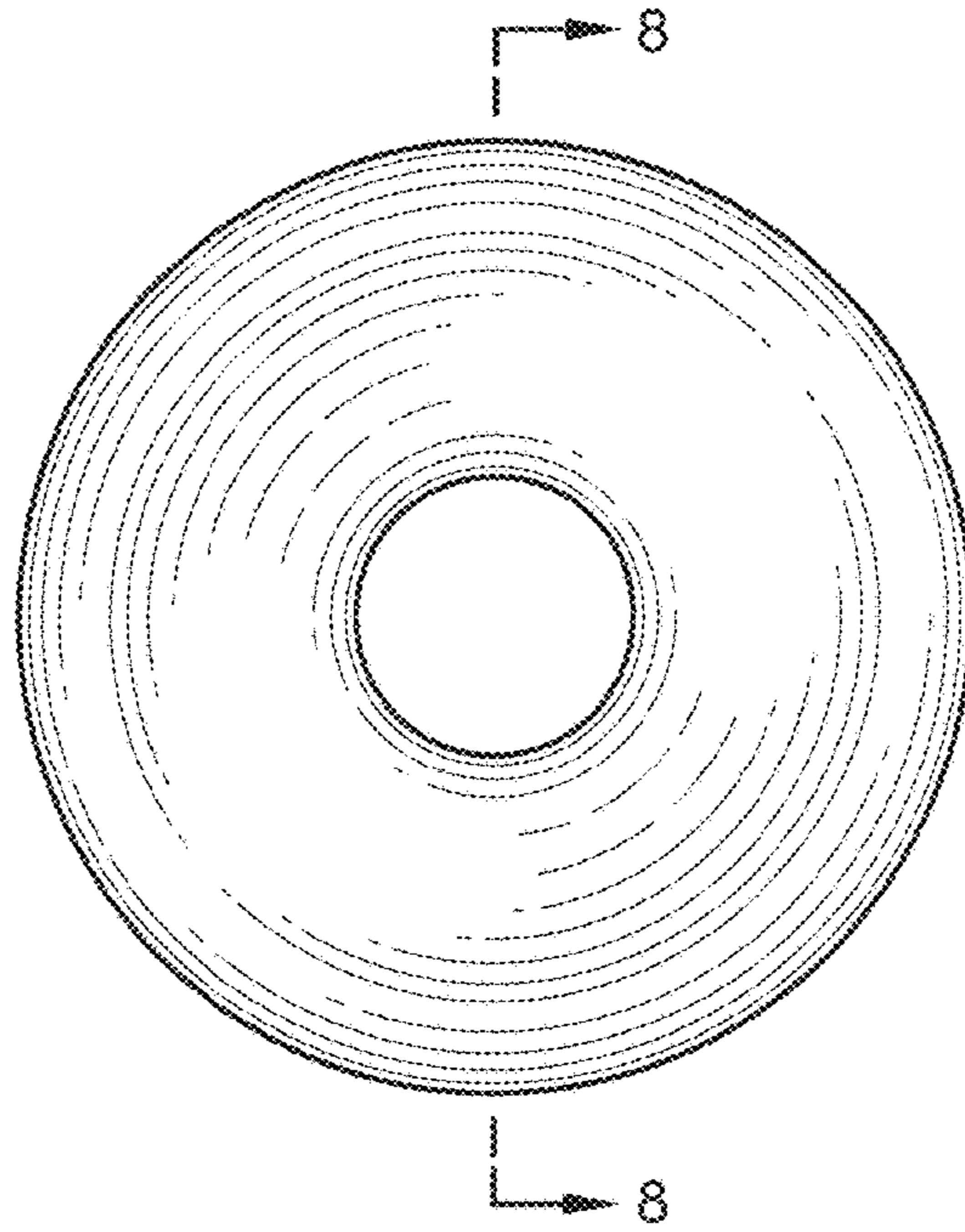
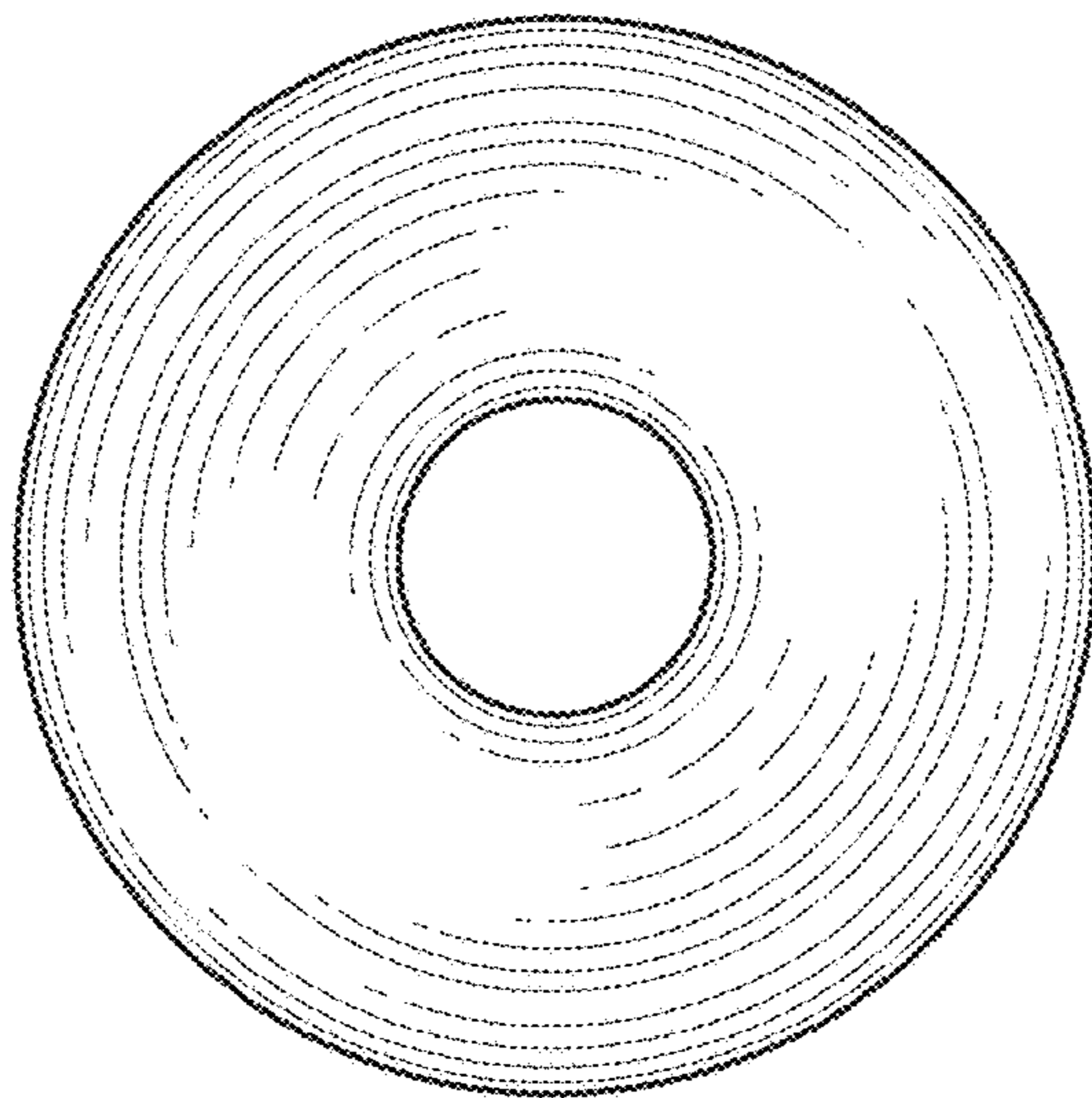


FIG.7



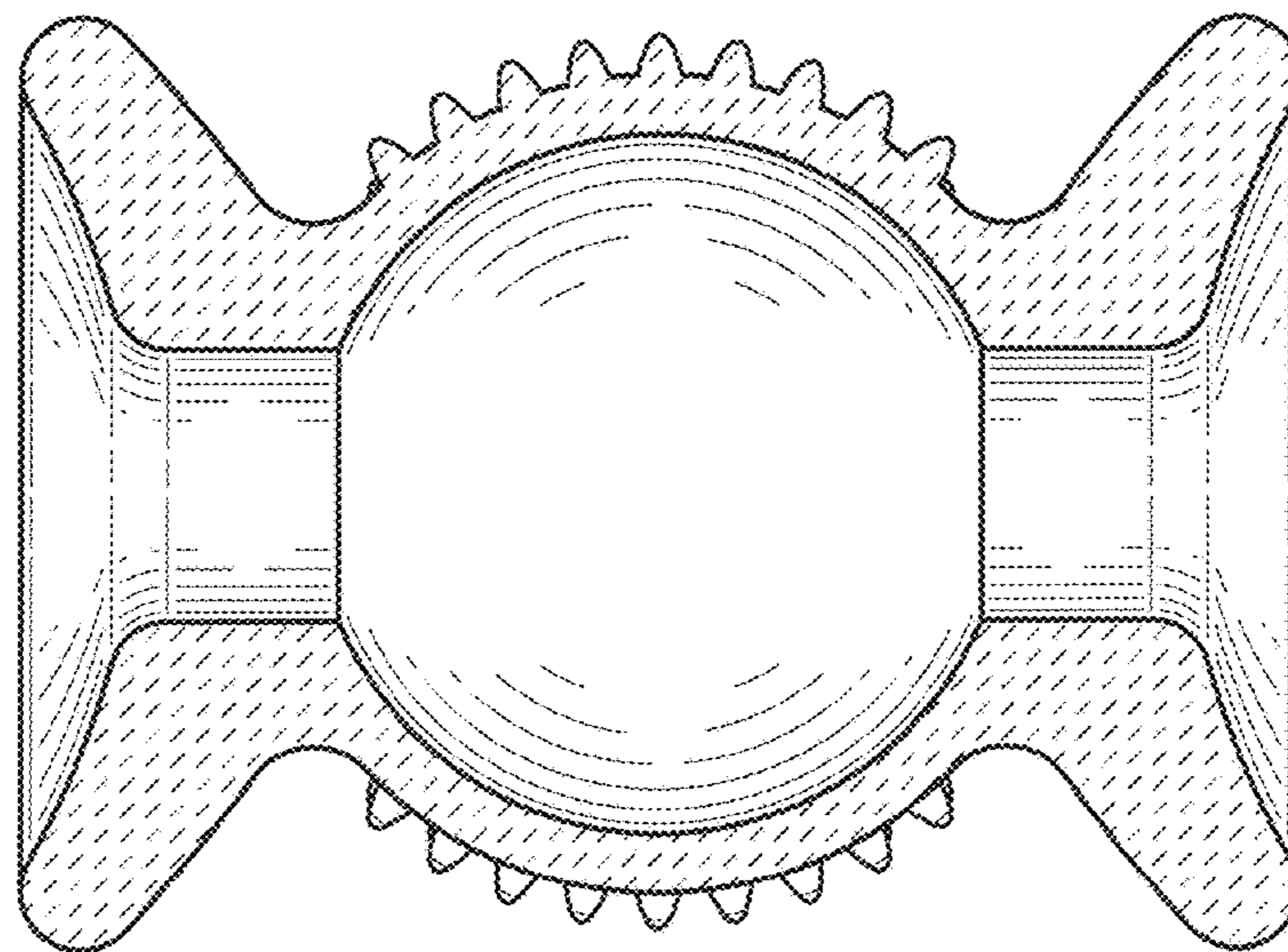


FIG. 8