



US00D843677S

(12) **United States Design Patent**
Elze

(10) **Patent No.:** **US D843,677 S**
(45) **Date of Patent:** **** Mar. 19, 2019**

- (54) **LOAD SECUREMENT SYSTEM**
- (71) Applicant: **Helmut Elze**, Lafayette, CA (US)
- (72) Inventor: **Helmut Elze**, Lafayette, CA (US)
- (**) Term: **15 Years**
- (21) Appl. No.: **29/614,858**
- (22) Filed: **Aug. 23, 2017**
- (51) **LOC (11) Cl.** **09-08**
- (52) **U.S. Cl.**
USPC **D34/38; D9/708**
- (58) **Field of Classification Search**
USPC D34/38; 383/3; 206/522, 594
CPC A47C 27/081; A47C 27/088; B60P 7/16;
B60P 7/065; B65D 21/052; B63B 25/24;
B63B 2025/285
See application file for complete search history.

7,681,734 B2 * 3/2010 Liao B65D 81/052
206/522
D715,014 S * 10/2014 Schwake D34/38
9,027,756 B2 * 5/2015 Yoshifusa B65D 81/052
206/522
2009/0116927 A1 * 5/2009 Keenan B60P 7/065
410/119

* cited by examiner

Primary Examiner — Cynthia Ramirez
(74) *Attorney, Agent, or Firm* — QuickPatents, LLC;
Kevin Prince

(57) **CLAIM**

I claim the ornamental design for a load securement system, as shown and described.

DESCRIPTION

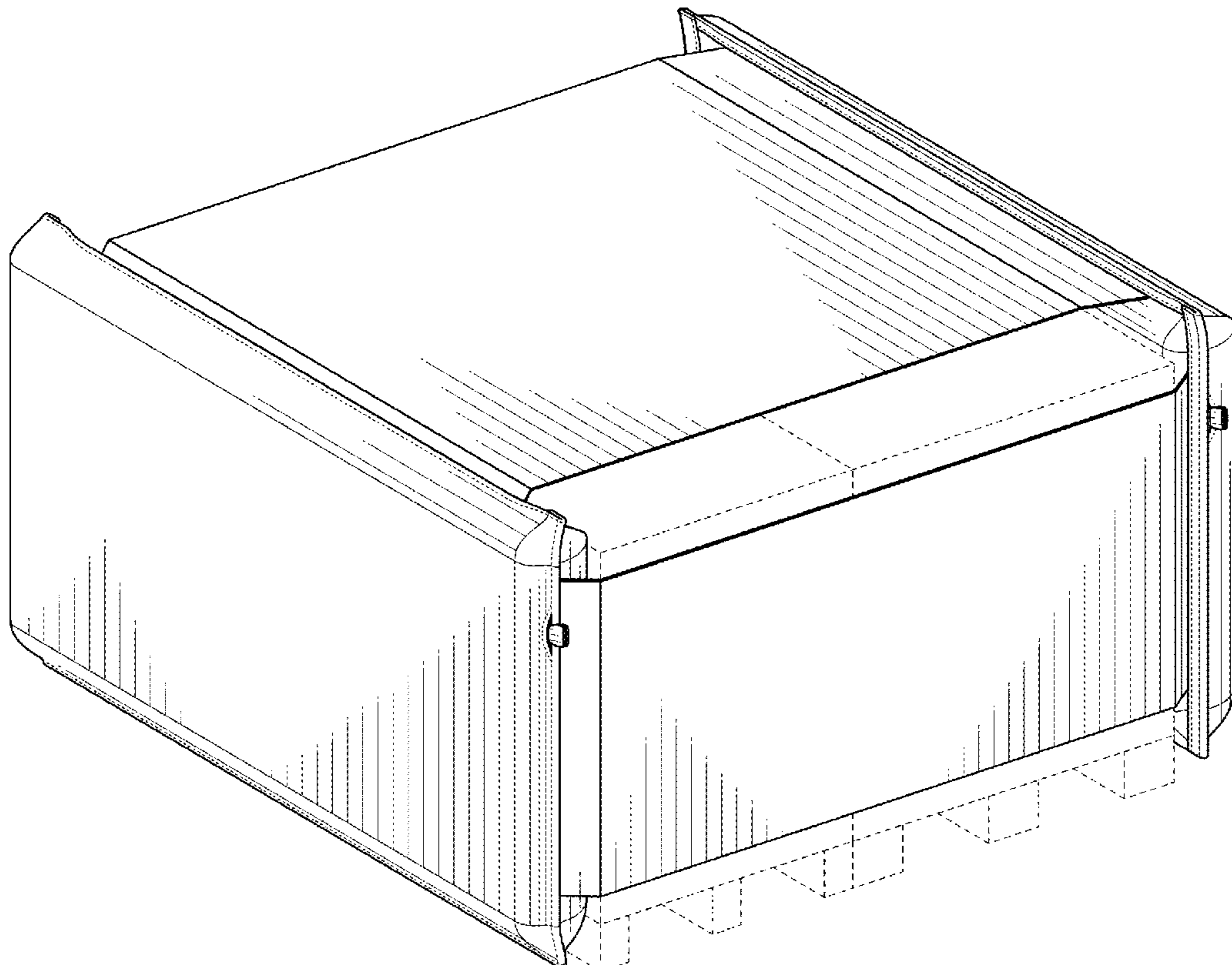
FIG. 1 is a perspective view of a load securement system, showing my new design;
 FIG. 2 is a front elevational view thereof;
 FIG. 3 is a rear elevational view thereof;
 FIG. 4 is a left-side elevational view thereof;
 FIG. 5 is a right-side elevational view thereof;
 FIG. 6 is a top plan view thereof; and,
 FIG. 7 is a bottom plan view thereof.
 The broken lines showing cargo on a pallet in FIG. 1 depict environmental matter and form no part of the claimed design.

1 Claim, 5 Drawing Sheets

(56) **References Cited**

U.S. PATENT DOCUMENTS

- 3,462,027 A * 8/1969 Puckhaber B60P 7/065
206/522
- 5,143,775 A * 9/1992 Olsson B31D 5/0073
156/145
- 6,513,974 B2 * 2/2003 Malone B65D 81/052
206/522



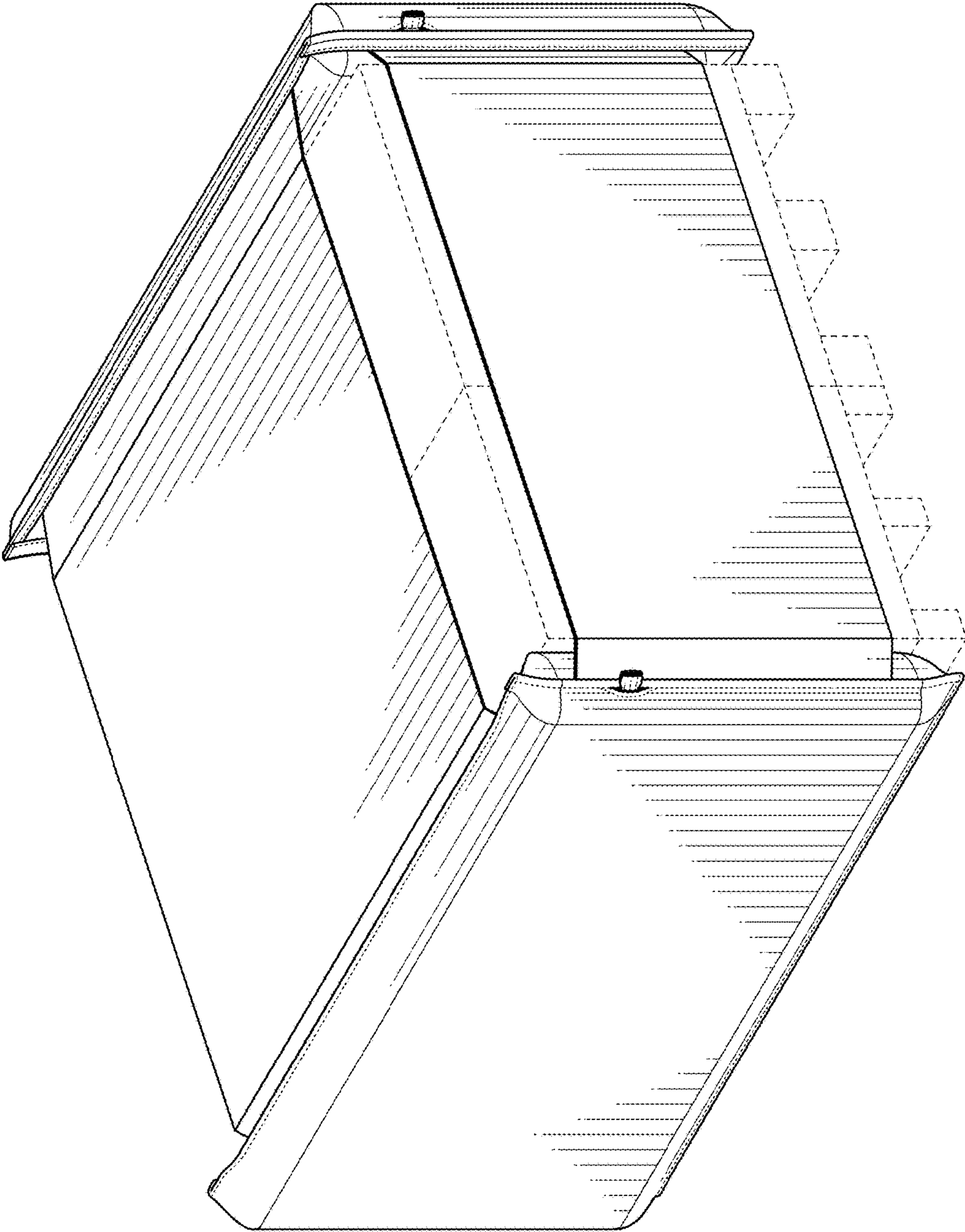


FIG. 1

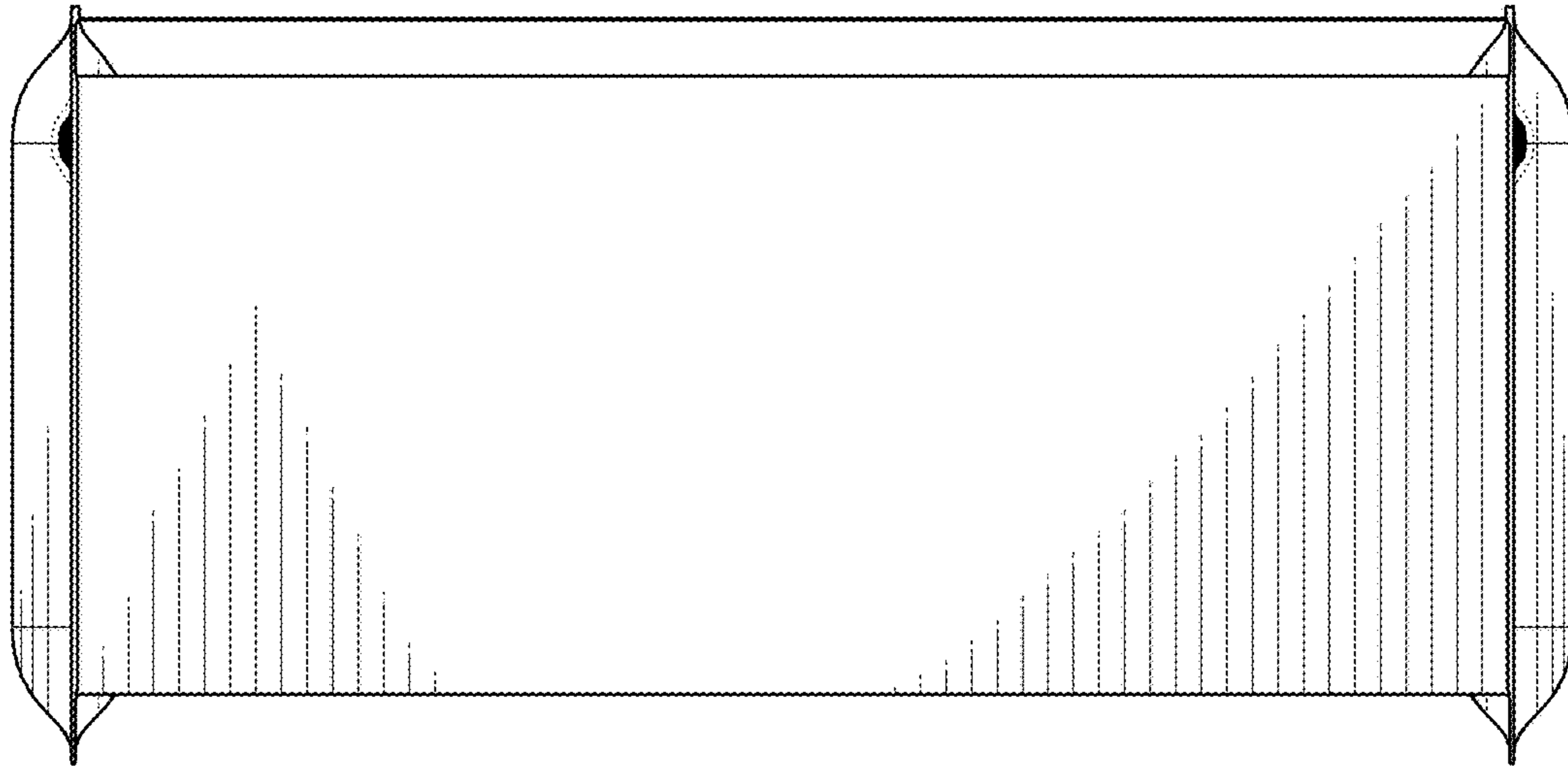


FIG. 2

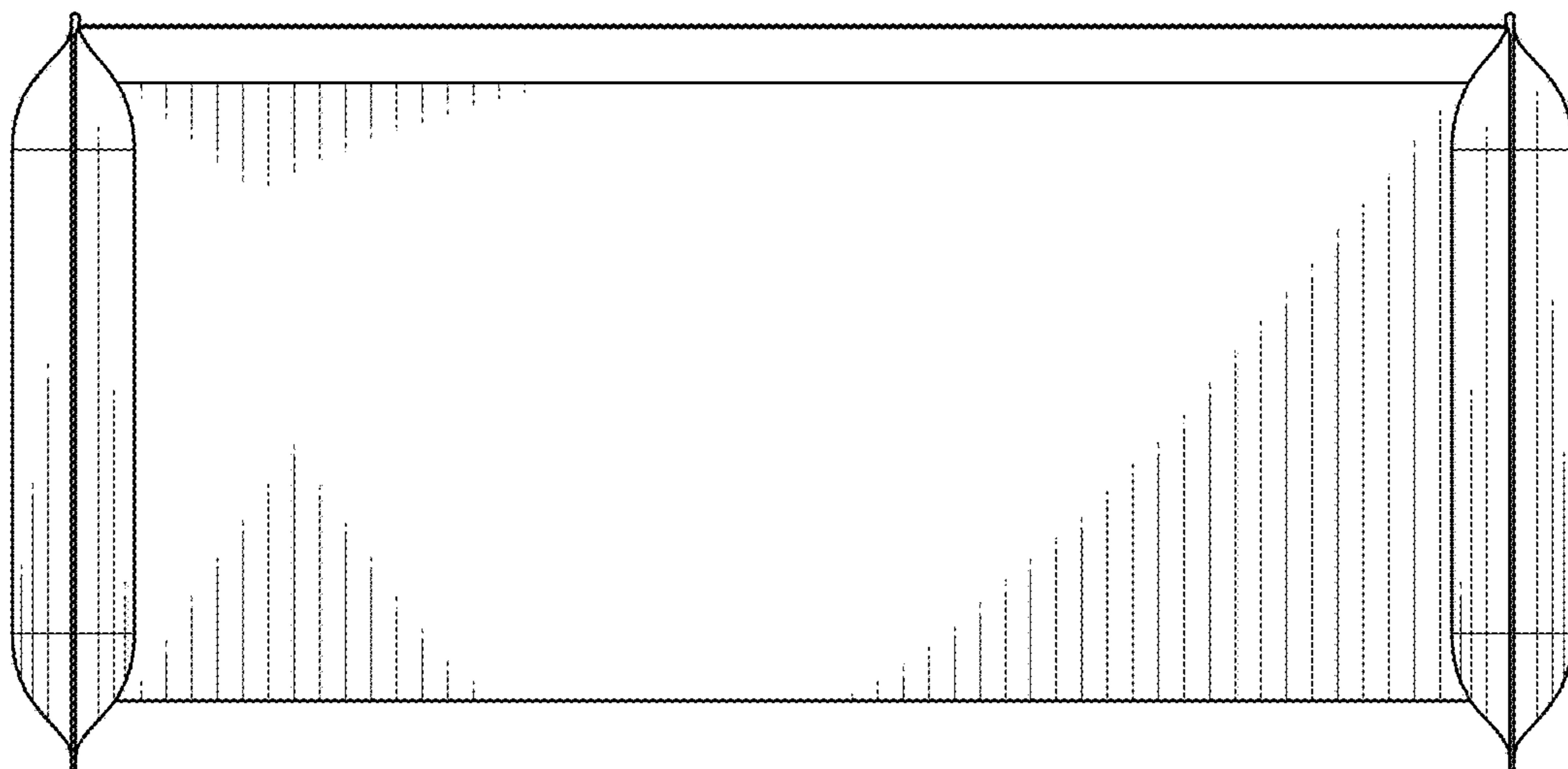


FIG. 3

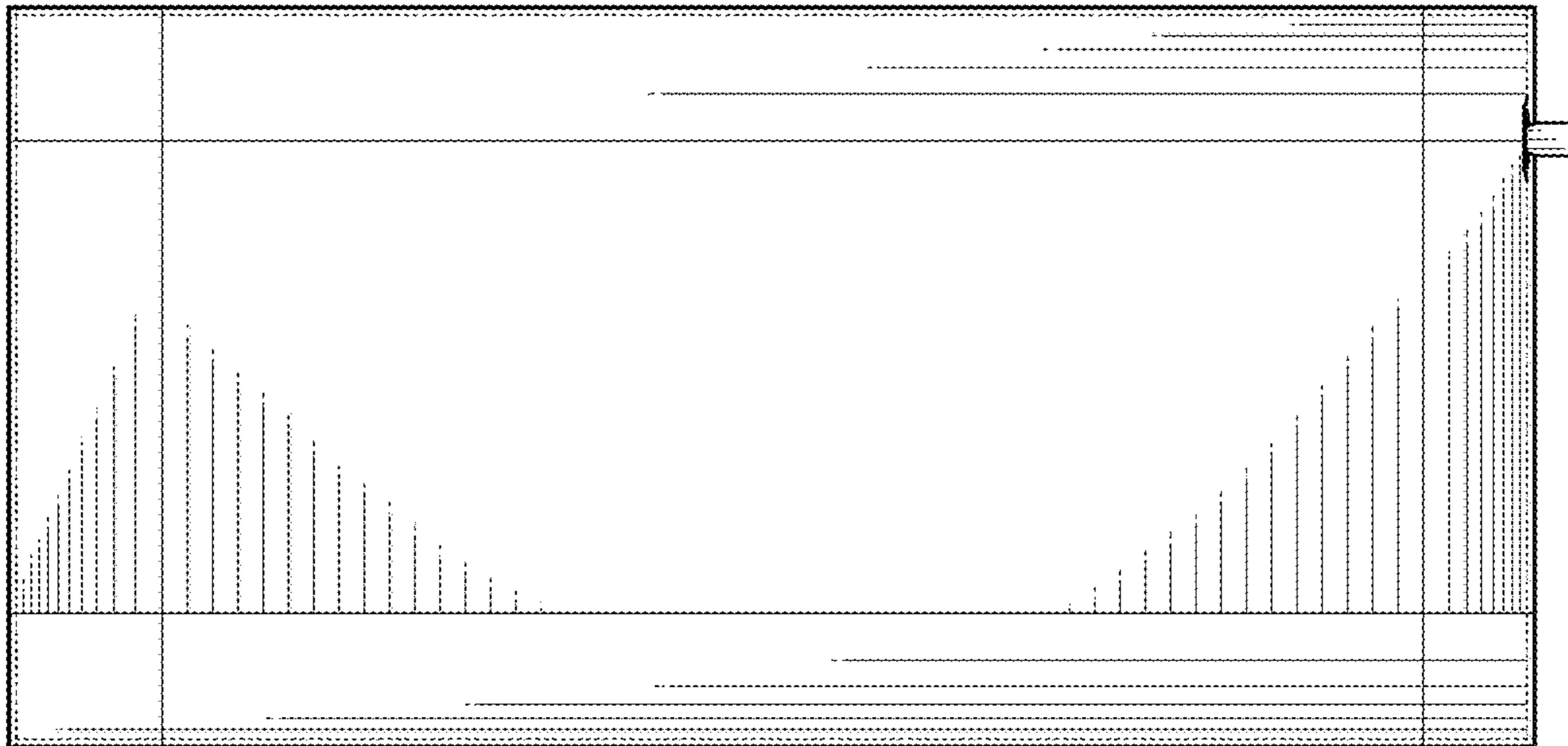


FIG. 4

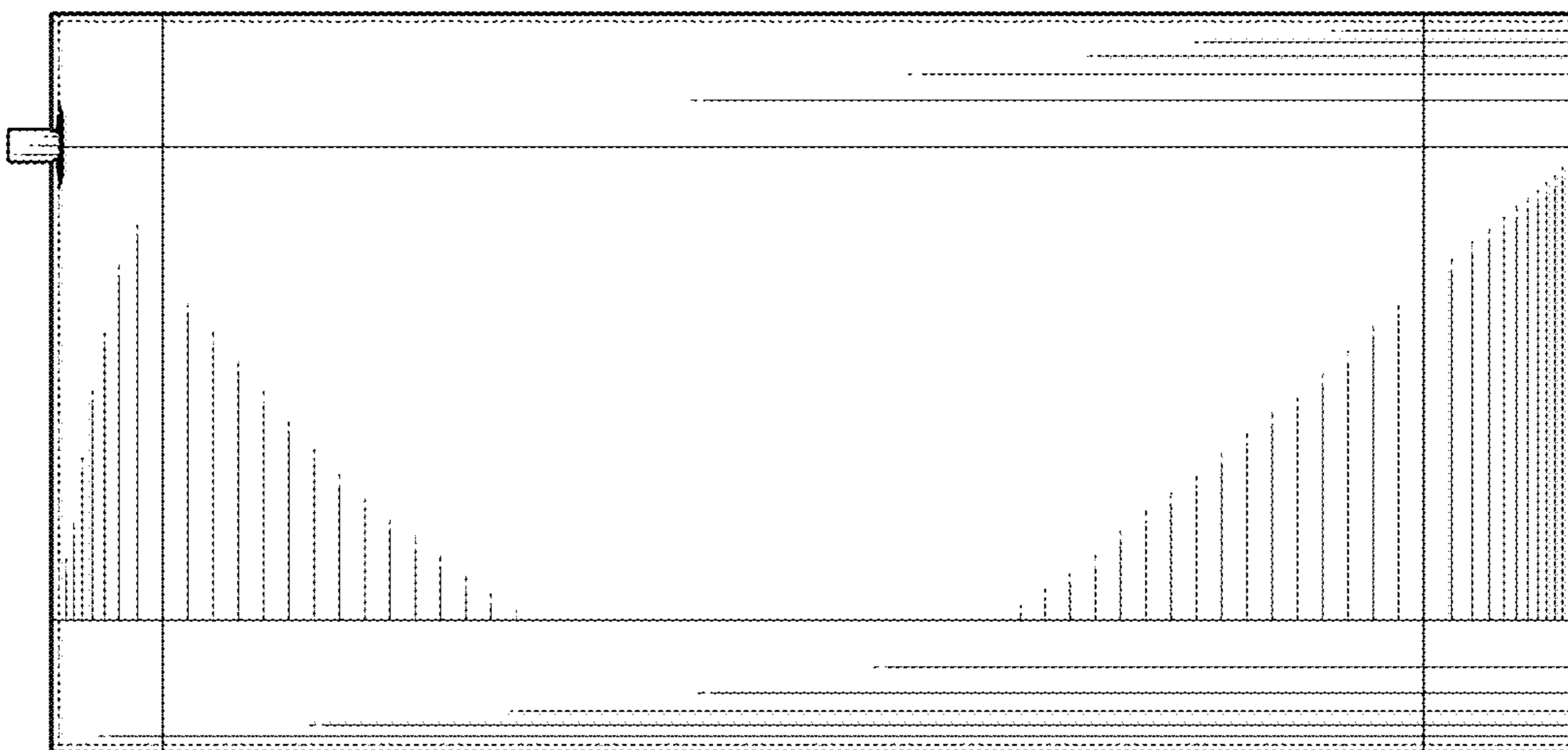


FIG. 5

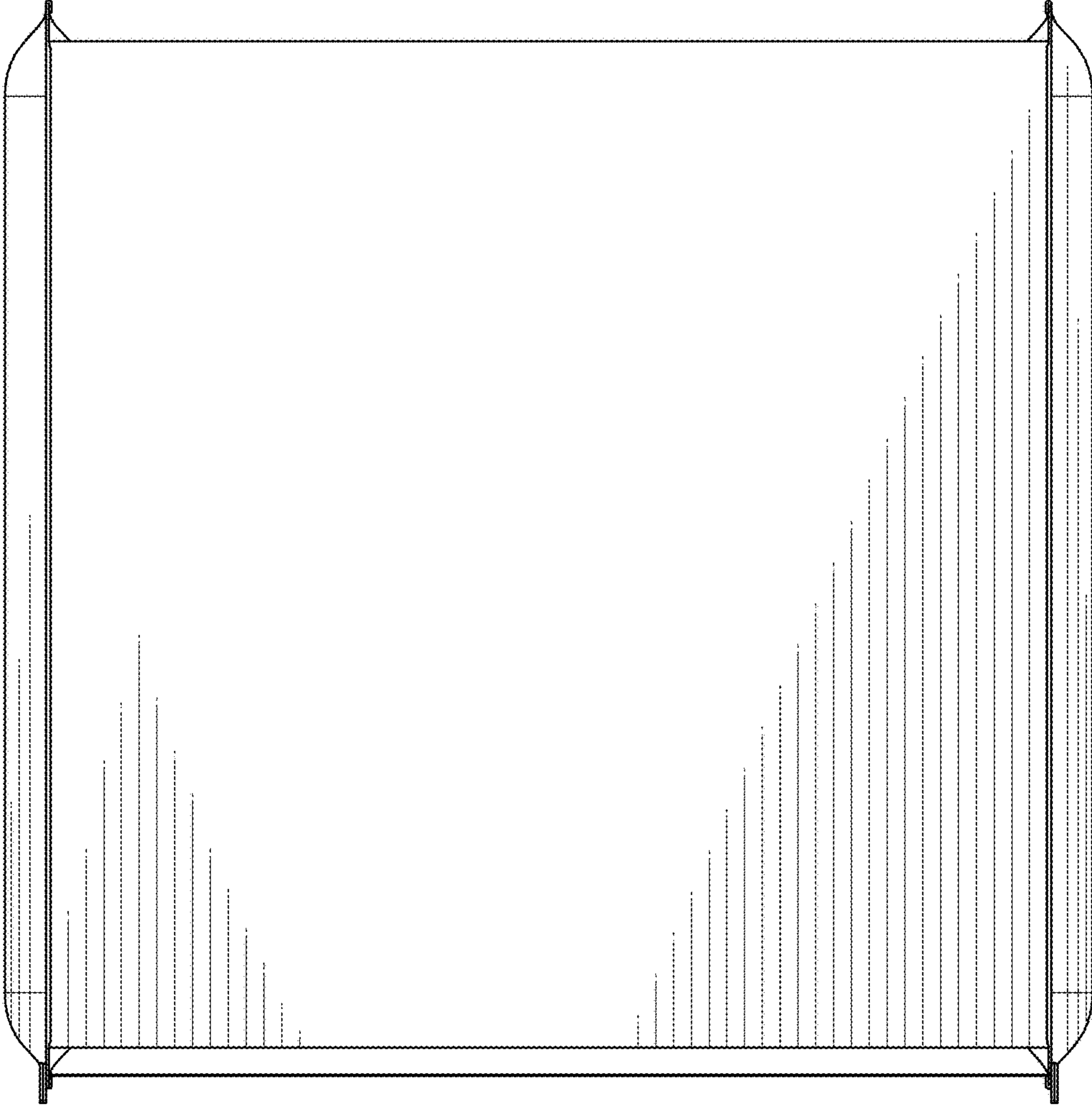


FIG. 6

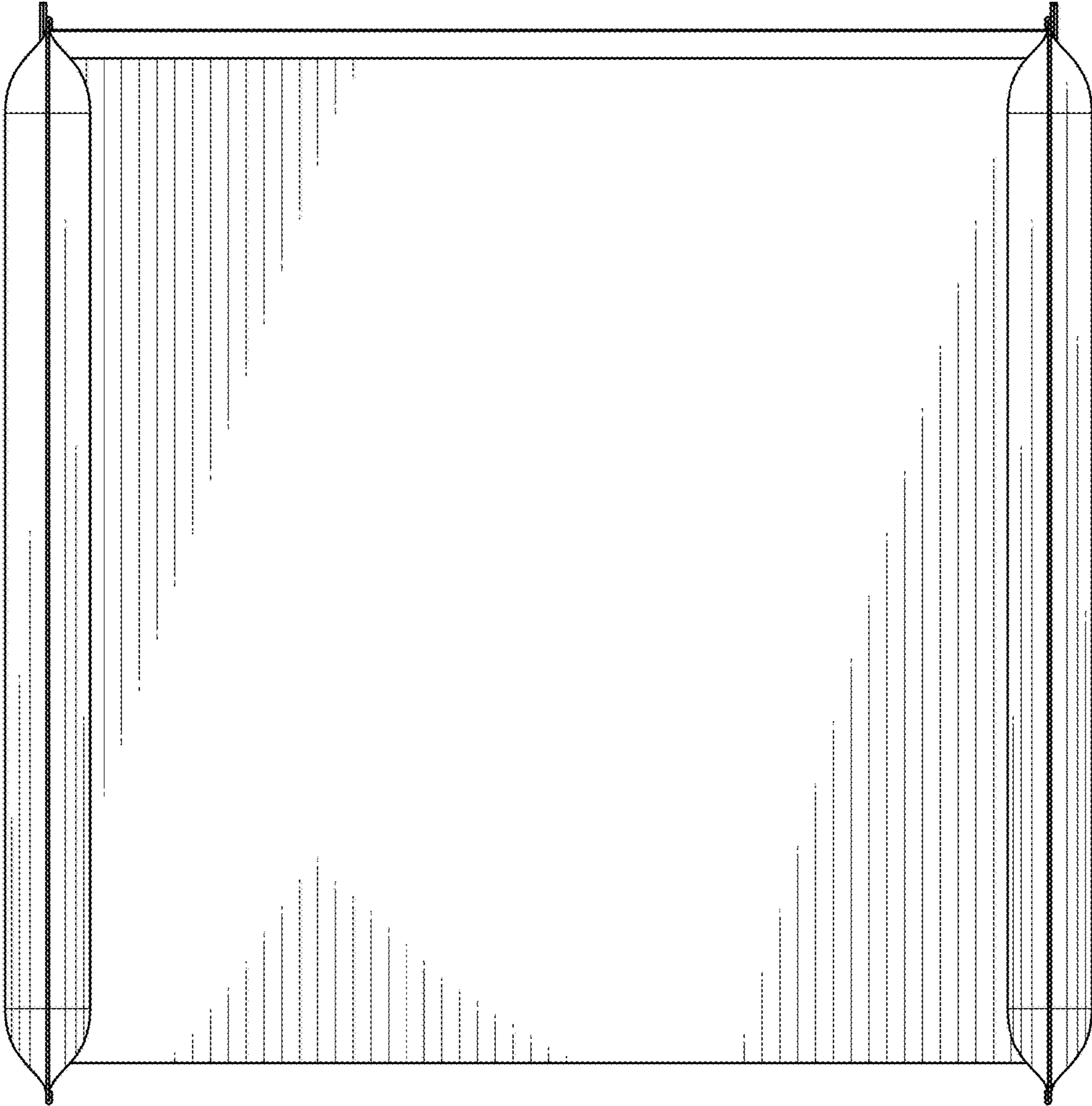


FIG. 7