



US00D843675S

(12) **United States Design Patent**
Shrock

(10) **Patent No.:** **US D843,675 S**
(45) **Date of Patent:** **** Mar. 19, 2019**

(54) **OVERHEAD CREEPER**

(71) Applicant: **John Shrock**, Niangua, MO (US)

(72) Inventor: **John Shrock**, Niangua, MO (US)

(**) Term: **15 Years**

(21) Appl. No.: **29/582,831**

(22) Filed: **Oct. 31, 2016**

(51) **LOC (11) Cl.** **12-02**

(52) **U.S. Cl.**
USPC **D34/23**

(58) **Field of Classification Search**
USPC D34/12, 23; D6/349; 280/32.6, 30
CPC .. B25H 5/00; A47C 9/02; A47C 9/007; A47C
9/027; A47C 9/002; A47B 7/02
See application file for complete search history.

(56) **References Cited**

U.S. PATENT DOCUMENTS

D412,045 S *	7/1999	Yuan	D34/23
6,199,877 B1 *	3/2001	Shockley	B25H 5/00 280/32.6
D453,601 S *	2/2002	Ji	D34/23
6,540,301 B1 *	4/2003	Bottoms	A47C 9/025 135/65
6,834,868 B1 *	12/2004	Blackburn	B25H 5/00 280/32.6
D555,920 S *	11/2007	Whiteside	D6/349
D579,679 S *	11/2008	Qian	D6/349
7,481,438 B2 *	1/2009	Hernandez	B25H 5/00 280/32.5
D608,072 S *	1/2010	Hernandez	D34/23
D707,914 S *	6/2014	Ward	D34/23
D808,673 S *	1/2018	Brewer	D6/349
2012/0325584 A1 *	12/2012	Podzimek	B25H 5/00 182/141

OTHER PUBLICATIONS

The Redline Engineering Store website address: http://www.redlinestands.com/catalog/automotive-creeper-stools-c-327_328_

274/elevator-overthetop-topside-truck-creeper-p-2195?gclid=CN7yo-nwh84CFQKtaQodpBUEpQ (Last accessed Nov. 4, 2016).
The Redline Engineering Store website address: http://www.redlinestands.com/catalog/shop-equipment-c-327/automotive-c-327_328/creeper-amp-stools-c-327_328_274/whiteside-gooseneck-over-engine-creeper-p-2419 (Last accessed Nov. 4, 2016).
The Redline Engineering Store website address: http://www.redlinestands.com/catalog/shop-equipment-c-327/automotive-c-327_328/creeper-amp-stools-c-327_328_274/redline-engineering-top-side-overhead-creeper-p-1506 (Last accessed Nov. 4, 2016).

(Continued)

Primary Examiner — Cynthia Ramirez

(74) *Attorney, Agent, or Firm* — Kutak Rock LLP; Bryan P. Stanley

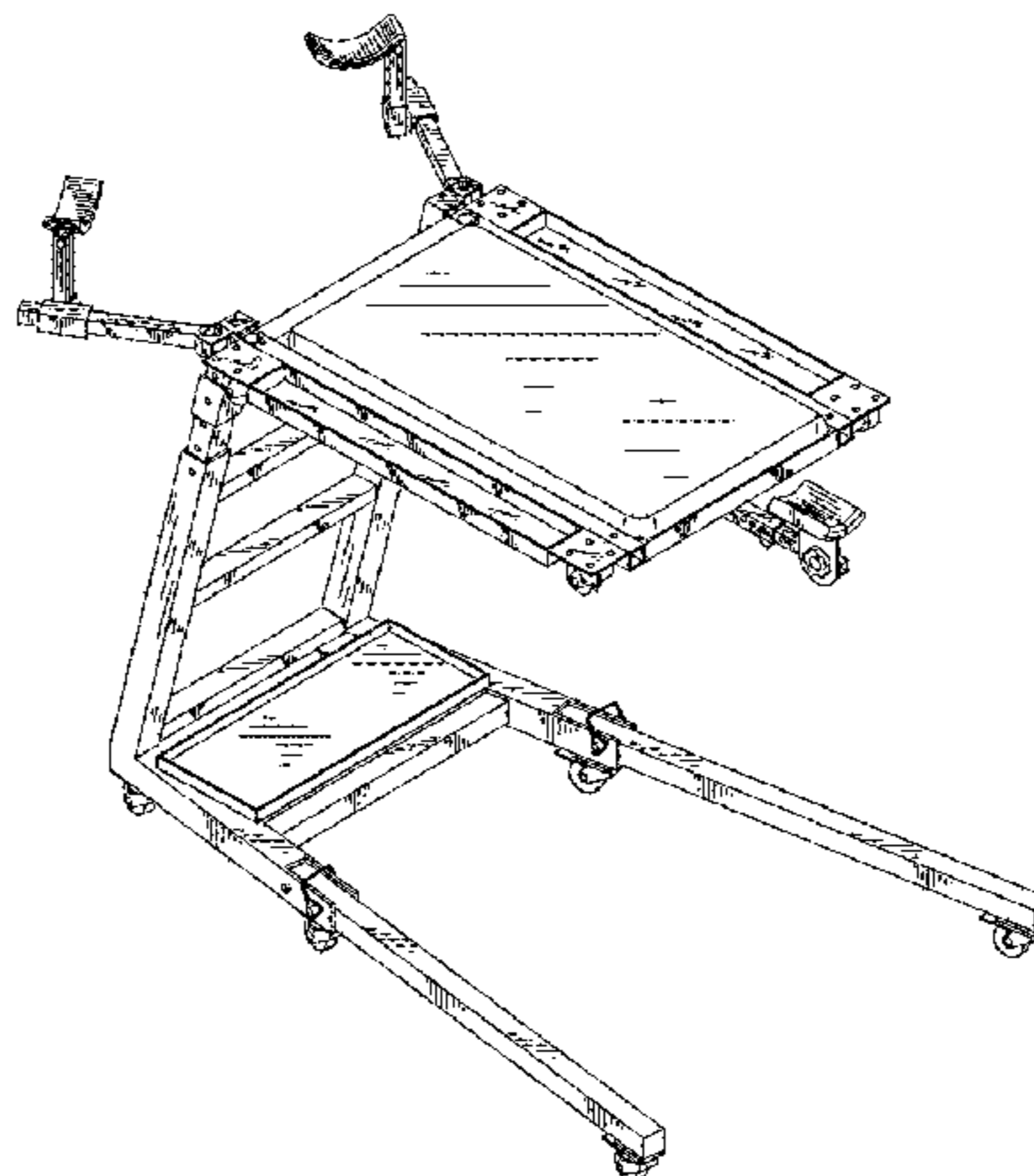
(57) **CLAIM**

The ornamental design for an overhead creeper, as shown and described.

DESCRIPTION

FIG. 1 is a front left side perspective view of an overhead creeper showing my new design.
FIG. 2 is a top plan view of the overhead creeper of FIG. 1.
FIG. 3 is a left side elevation view of the overhead creeper of FIG. 1.
FIG. 4 is a right side elevation view of the overhead creeper of FIG. 1.
FIG. 5 is a bottom plan view of the overhead creeper of FIG. 1.
FIG. 6 is a rear elevation view of the overhead creeper of FIG. 1; and,
FIG. 7 is a front elevation view of the overhead creeper of FIG. 1.
The broken lines are to show portions of the overhead creeper which form no part of the claimed design.

1 Claim, 7 Drawing Sheets



(56)

References Cited

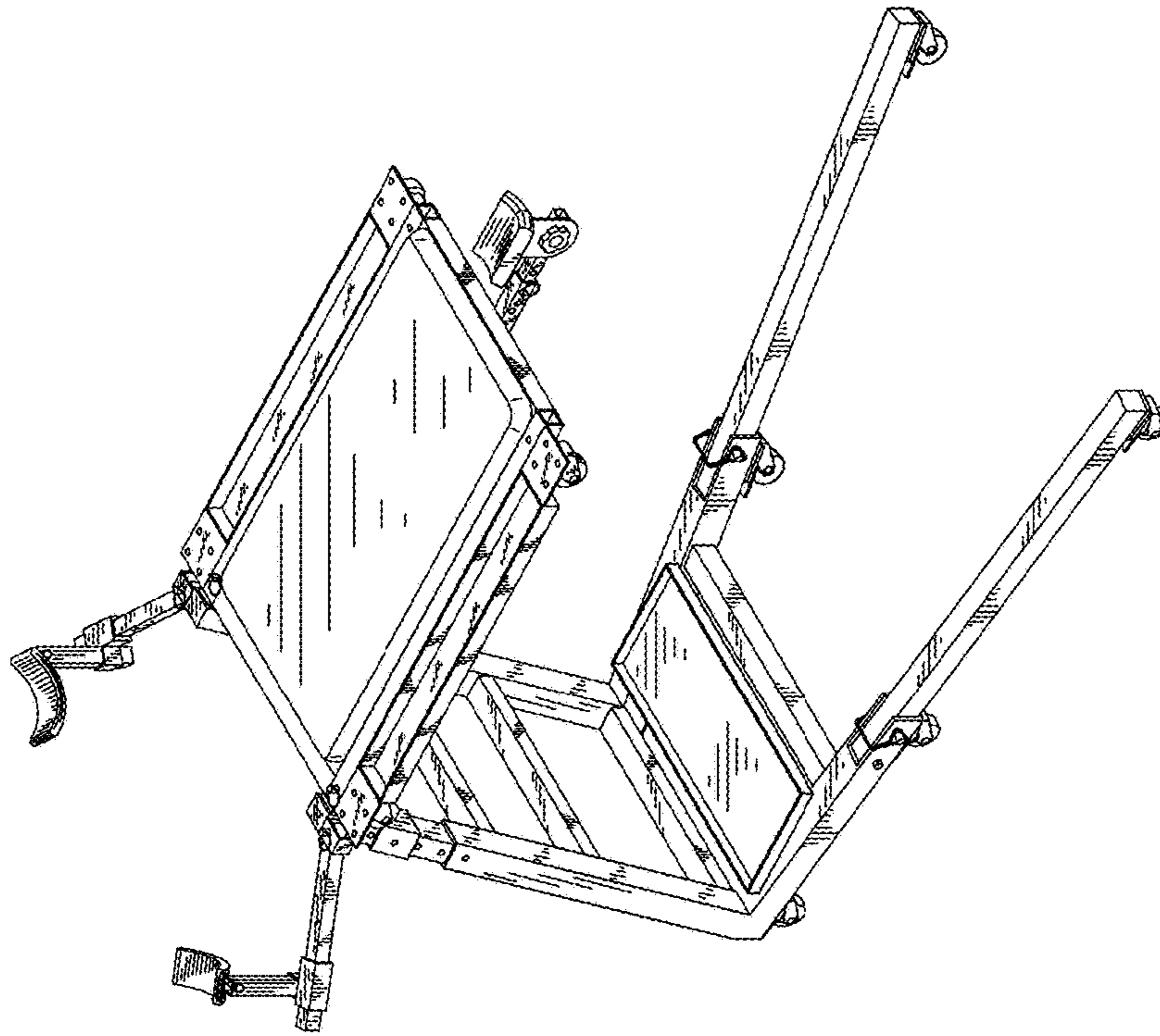
OTHER PUBLICATIONS

Nomad Manufacturing website address: <http://www.nomadmfg.com/the-elevator/> (Last accessed Nov. 4, 2016).

Nomad Manufacturing website address: <http://www.nomadmfg.com/the-fold-away/> (Last accessed Nov. 4, 2016).

* cited by examiner

Fig. 1.



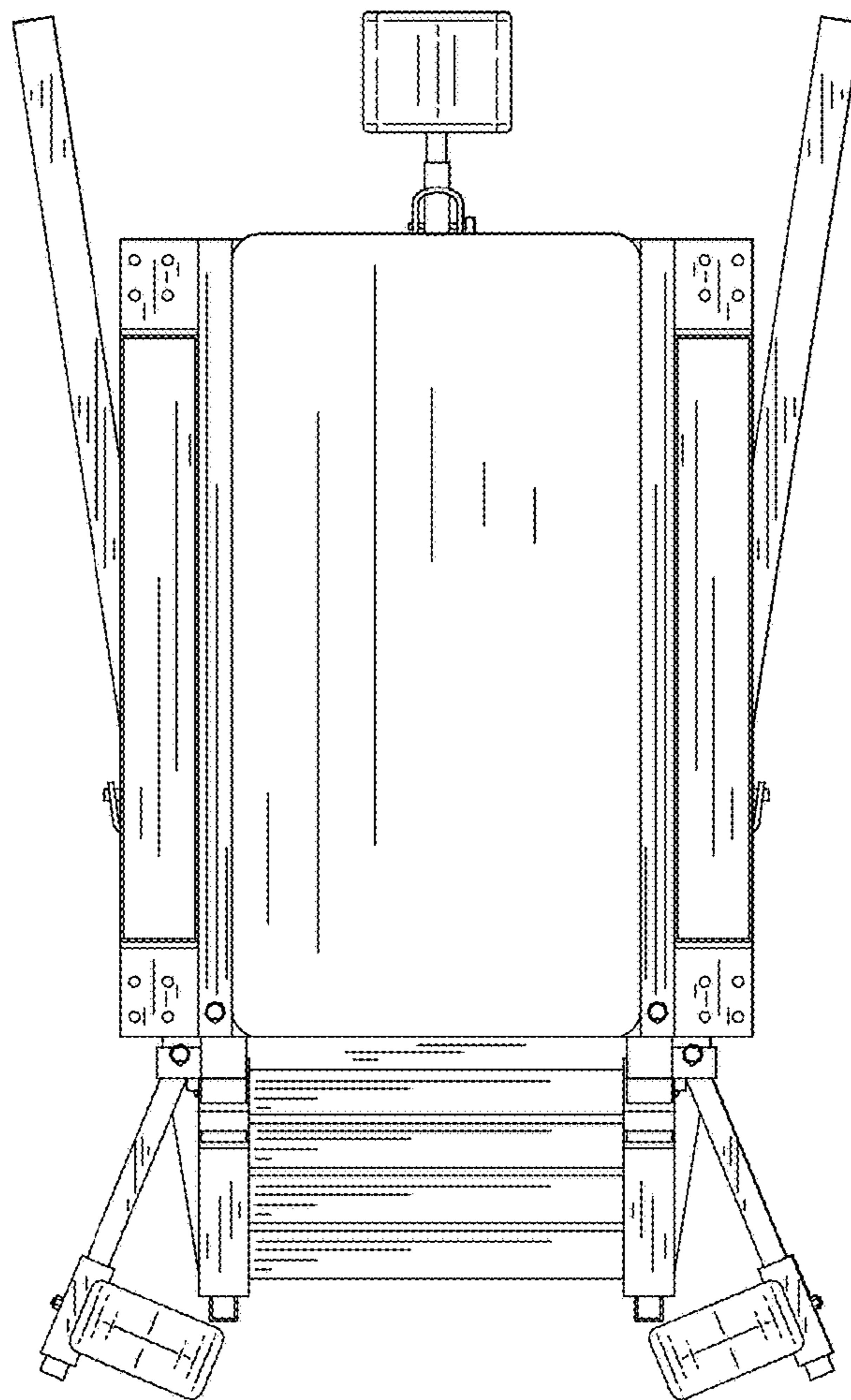


Fig. 2.

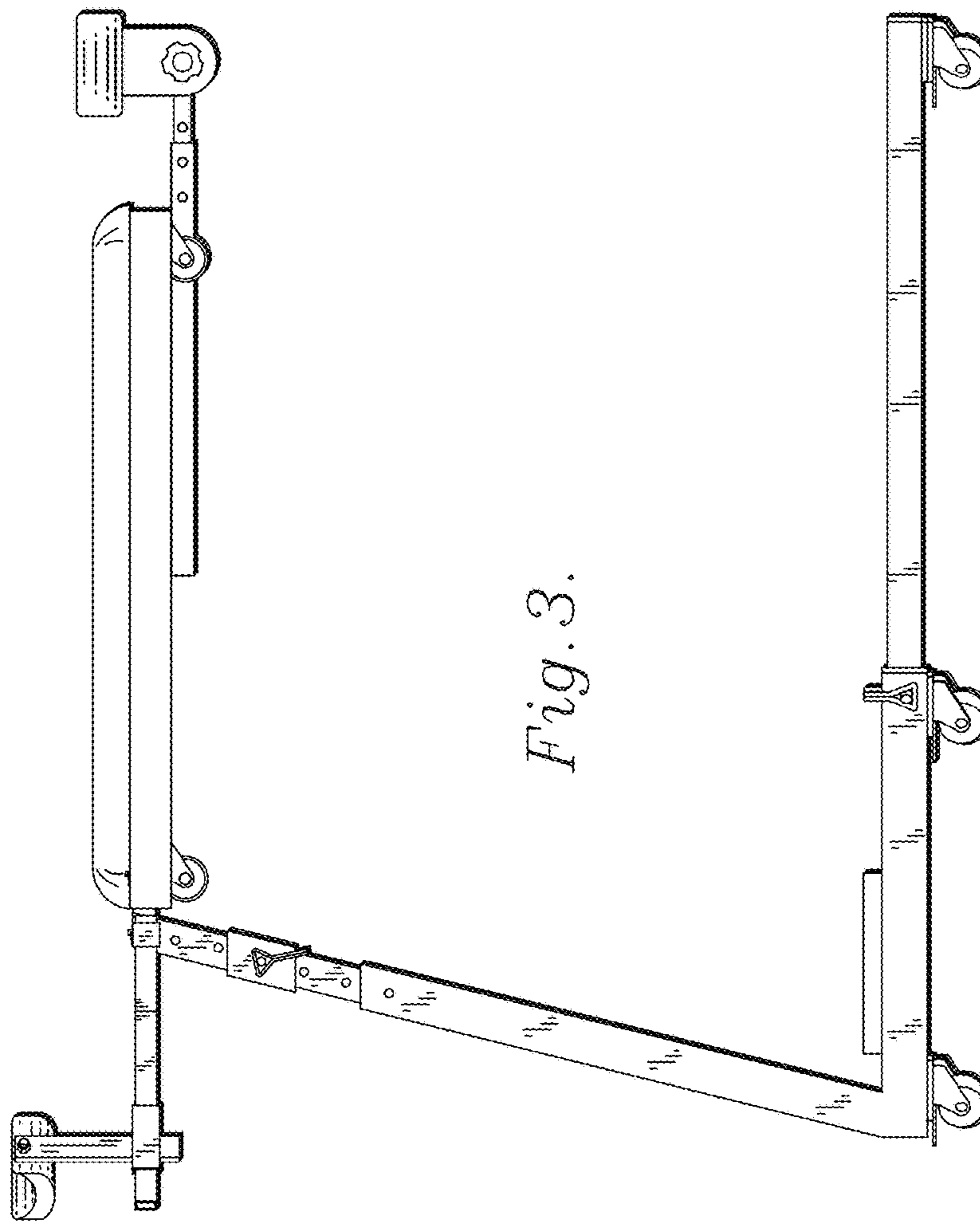


Fig. 3.

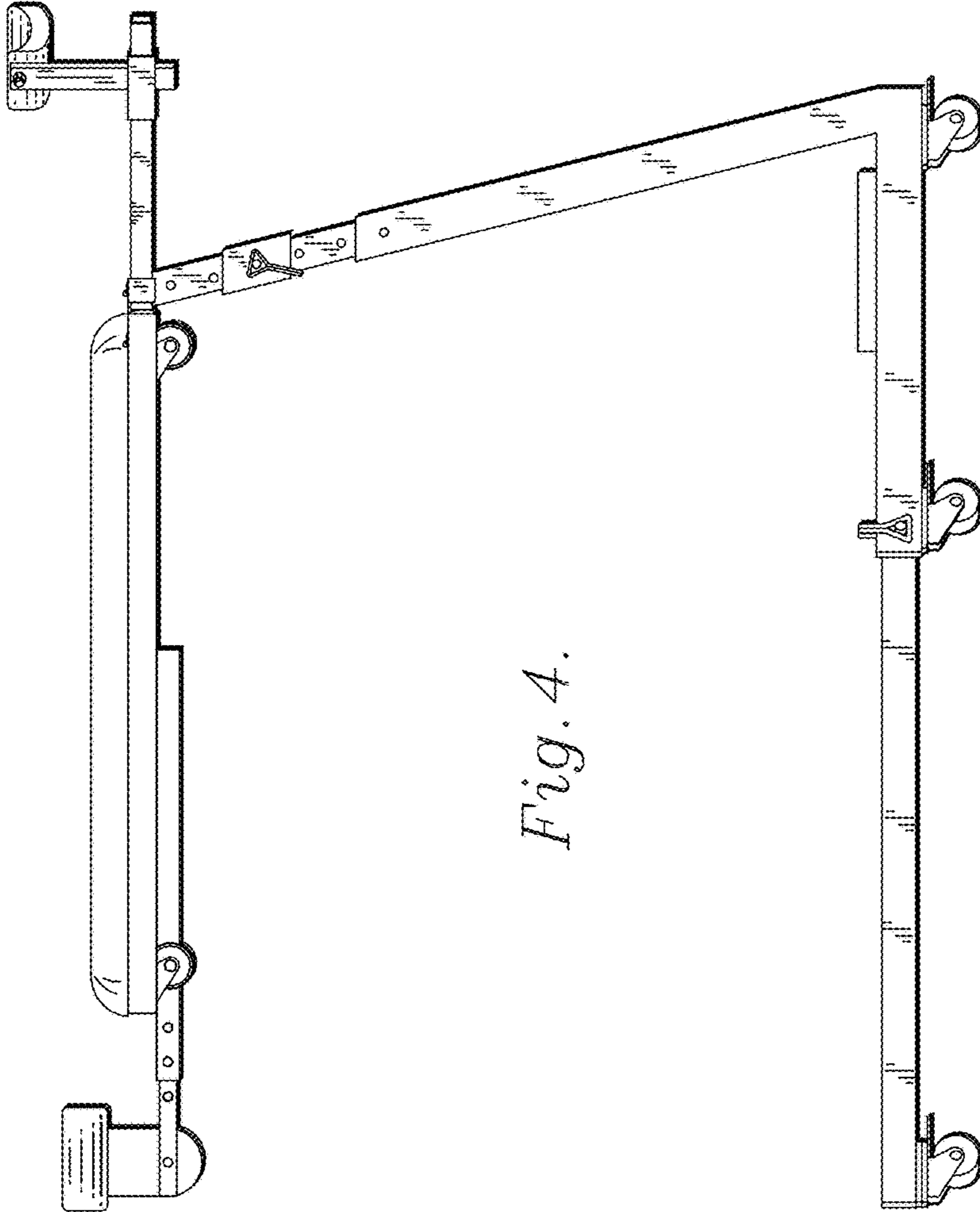


Fig. 4.

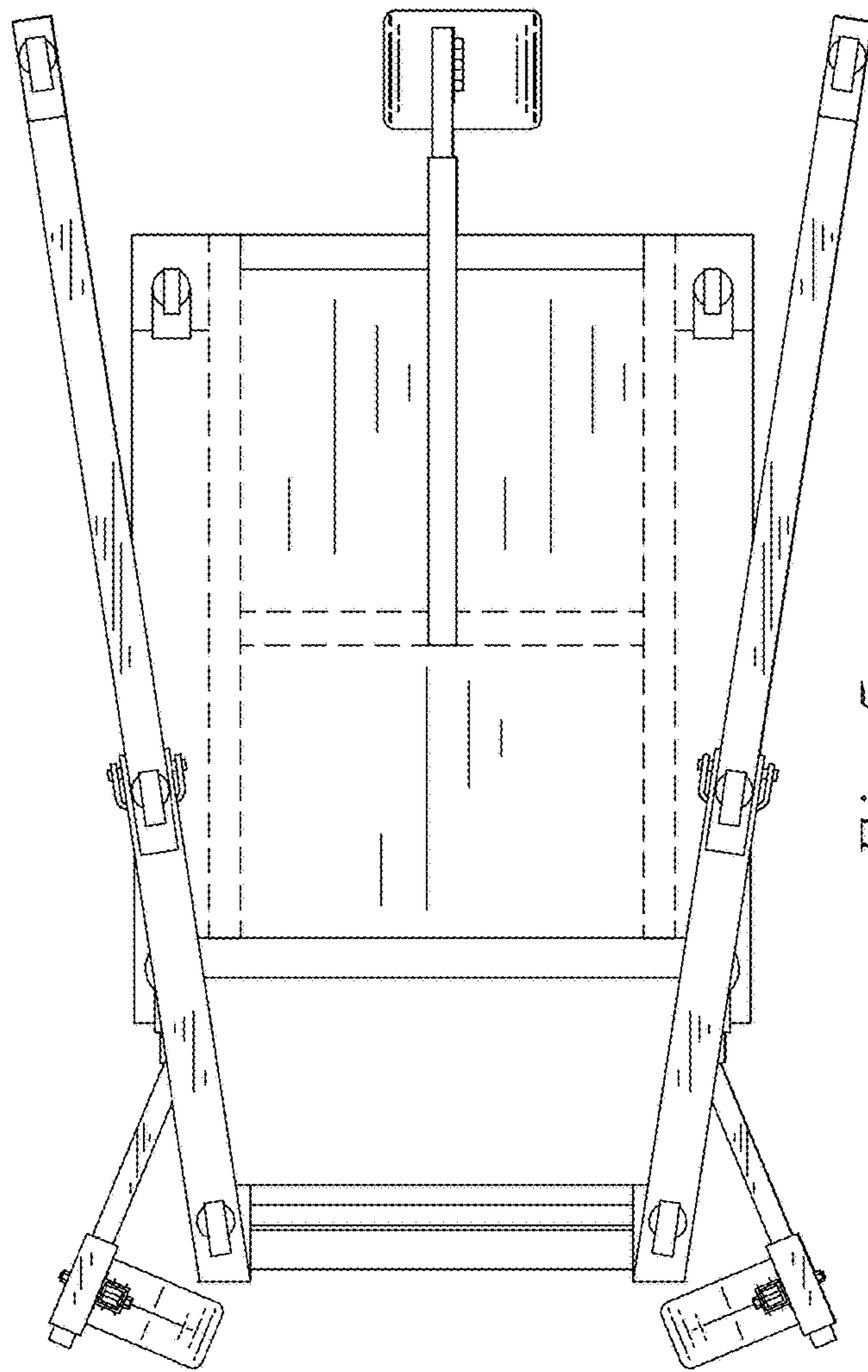


Fig. 5.

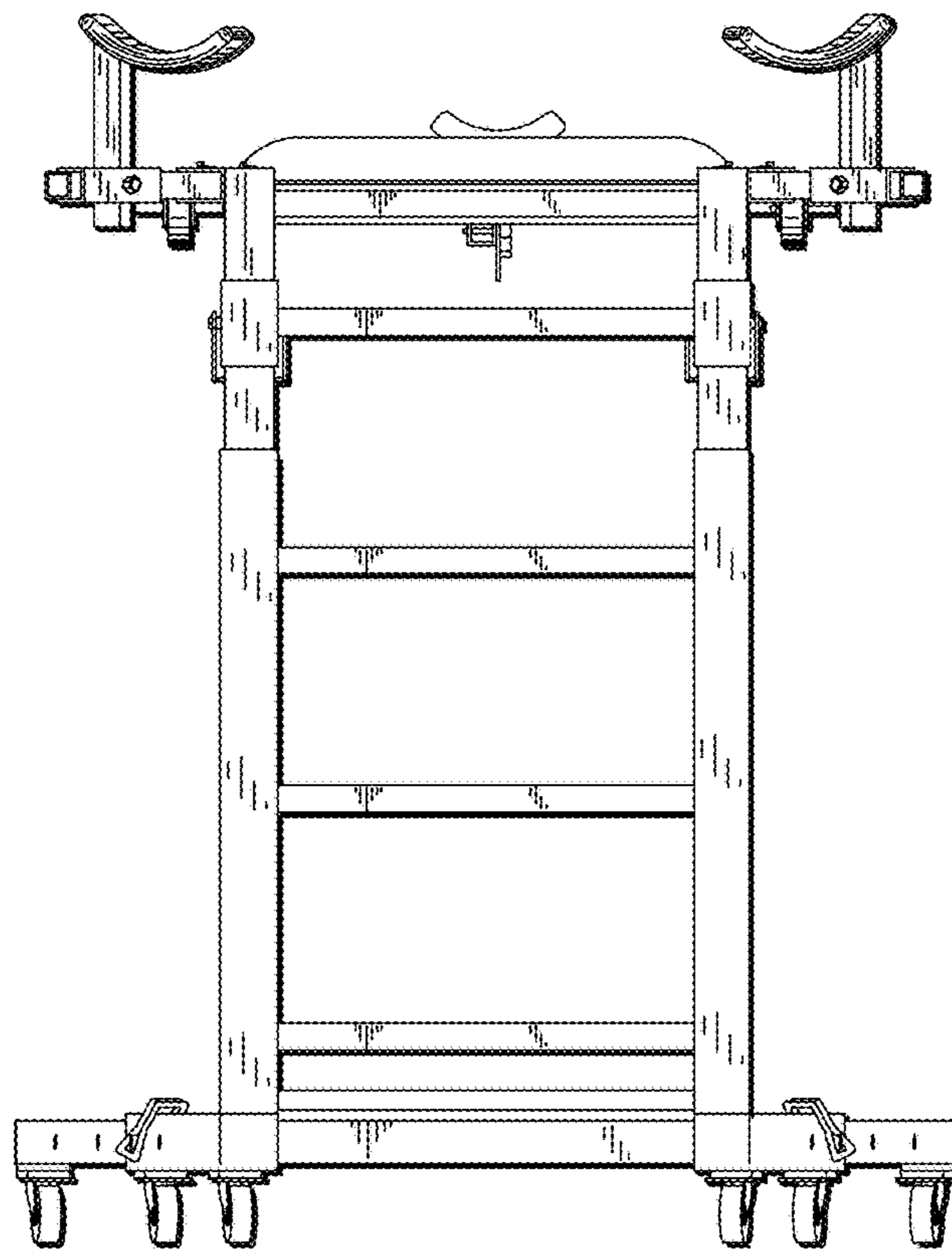


Fig. 6.

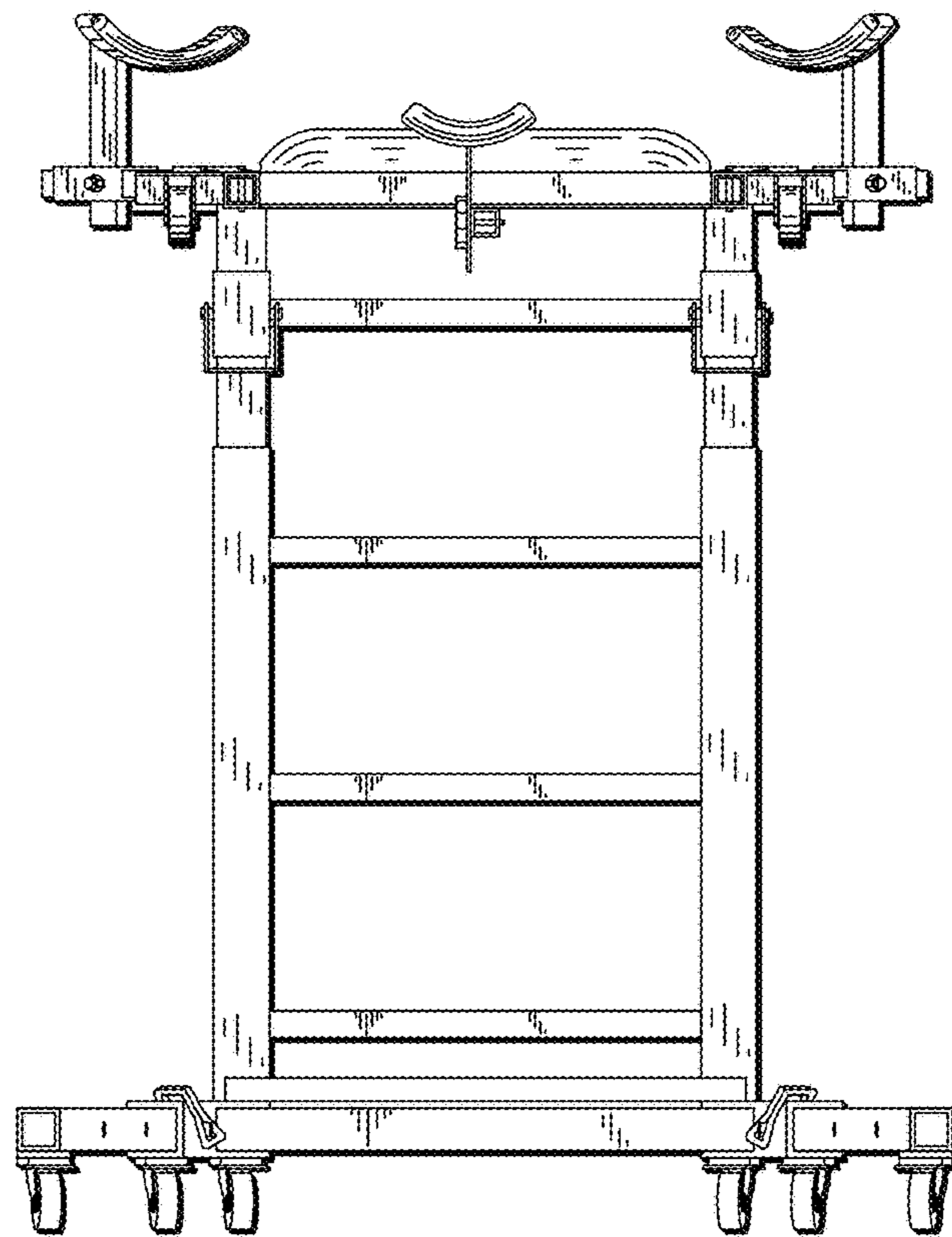


Fig. 7.