



US00D843668S

(12) **United States Design Patent**
Cafasso et al.

(10) **Patent No.:** **US D843,668 S**
(45) **Date of Patent:** **** Mar. 19, 2019**

(54) **GROOMING TOOL**

(71) Applicant: **Spectrum Brands, Inc.**, Middleton, WI (US)

(72) Inventors: **Daniel Cafasso**, Cincinnati, OH (US);
Adam Favia, Reedsburg, WI (US);
Kelly Damaschke, Loganville, WI (US);
Ron Wright, Baraboo, WI (US)

(73) Assignee: **Spectrum Brands, Inc.**, Middleton, WI (US)

(**) Term: **15 Years**

(21) Appl. No.: **29/604,020**

(22) Filed: **May 15, 2017**

Related U.S. Application Data

(62) Division of application No. 29/502,405, filed on Sep. 16, 2014, now Pat. No. Des. 790,781.

(51) **LOC (11) Cl.** **30-99**

(52) **U.S. Cl.**
USPC **D30/159**; D30/158

(58) **Field of Classification Search**
USPC D30/158, 159, 199, 162, 106; 119/625, 119/633, 600, 617, 628, 632, 631, 613, 119/618, 619, 620, 611; 132/126, 142; 30/114, 130, 301, 305, 315, 316, 299, 30/303, 306, 169, 322, 31, 30, 27, 9.2, 30/280, 287, 294, 199, 329-344, 346.56, 30/346.61, 355, 357; D7/672-676, 687, D7/686, 634, 619, 688, 653; 425/298; 426/503; D4/136, 127, 124-126, D4/116-118, 199, 194; D32/42, 25; D23/261; 2/160; 172/379, 380; D6/415, D6/410, 411; 294/1.3, 1.5, 55, 99.1, 49, 294/7, 9, 99.2, 118, 119, 19.2, 52; 209/418; D24/211, 147; D21/532, 398;

D19/36; 34/381, 103, 104, 107; D11/104, 86; 56/400.01, 400.1, 400.17, 56/400.21, 400.05, 400.04, 330; 403/329, 403/326, 361; 15/402, 142, 236.07, 15/236.08, 236.05; 601/137, 136, 80, 93, 601/95, 97, 101, 103, 138, 143-147;
(Continued)

(56) **References Cited**

U.S. PATENT DOCUMENTS

487,580 A 12/1892 Neuls
3,010,131 A 11/1961 Kisky
3,491,777 A 1/1970 Grosbard
(Continued)

Primary Examiner — Susan Moon Lee

(74) *Attorney, Agent, or Firm* — Merchant & Gould P.C.

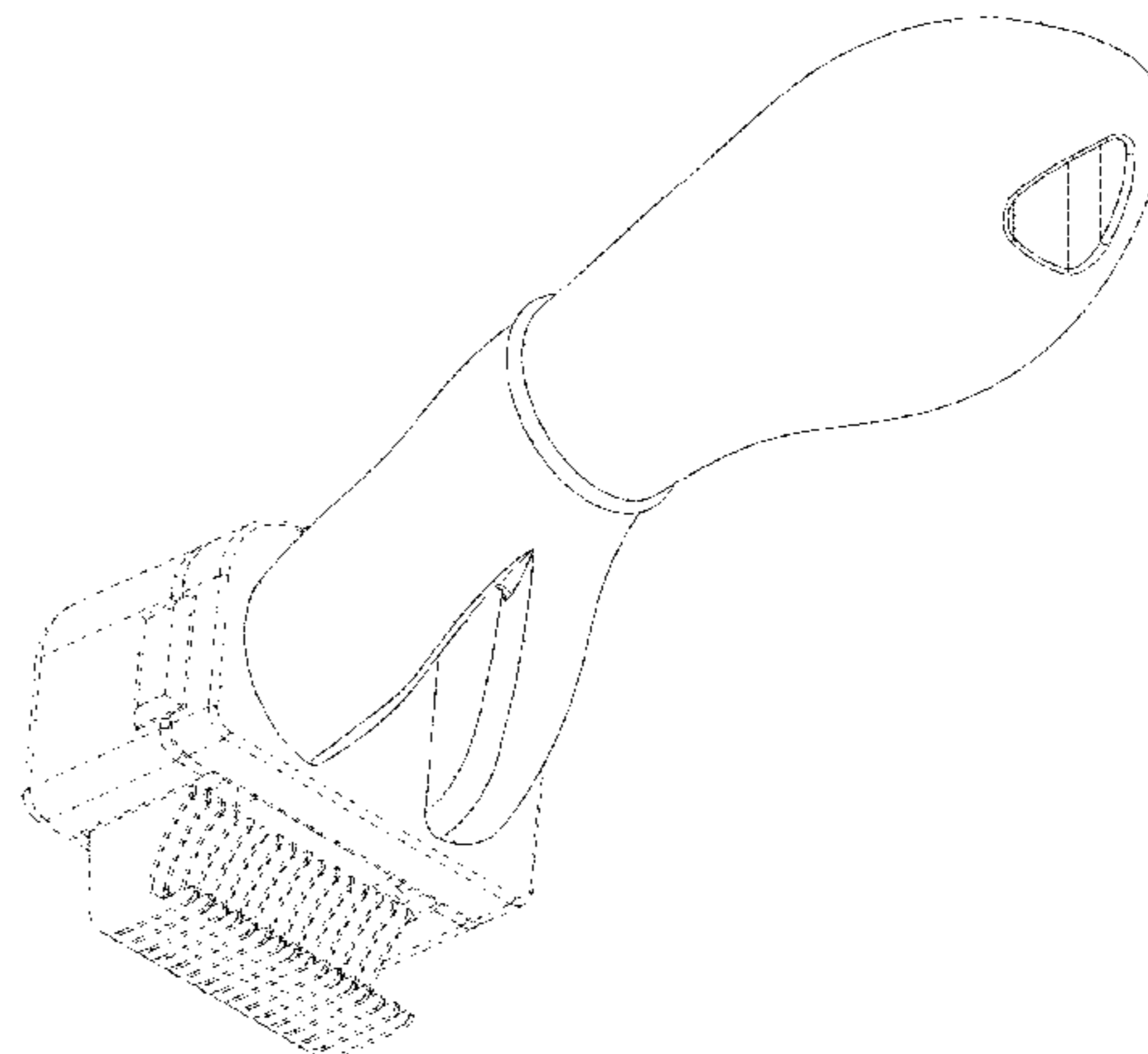
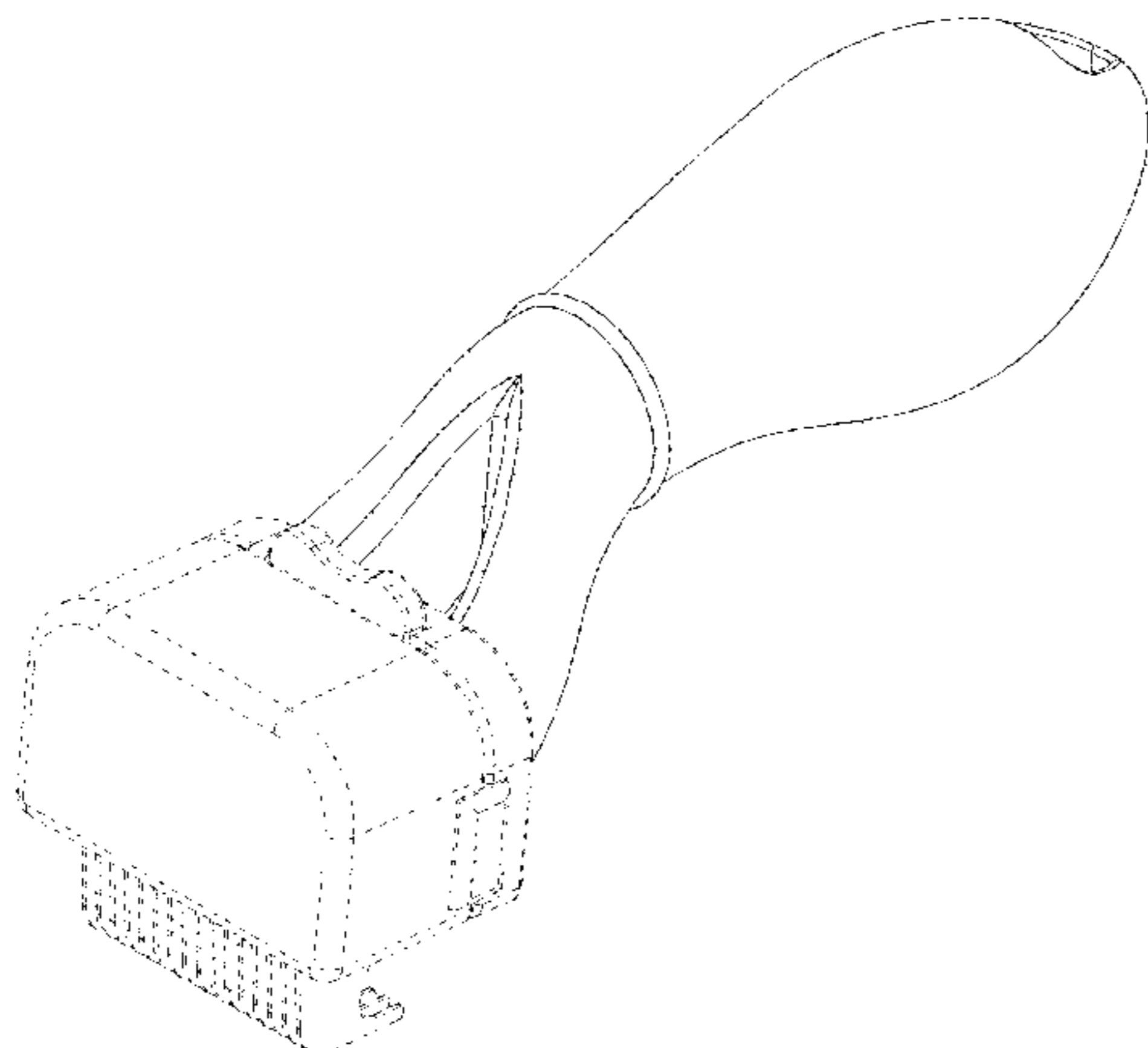
(57) **CLAIM**

The ornamental design for a grooming tool, as shown and described.

DESCRIPTION

FIG. 1 is a top, right, front perspective view of an embodiment of a grooming tool, according to the new design; FIG. 2 is a bottom, right, rear perspective view of the grooming tool of FIG. 1; FIG. 3 is a front view of the grooming tool of FIG. 1; FIG. 4 is a rear view of the grooming tool of FIG. 1; FIG. 5 is right side view of the grooming tool of FIG. 1; FIG. 6 is a left side view of the grooming tool of FIG. 1; FIG. 7 is a top view of the grooming tool of FIG. 1; and FIG. 8 is a bottom view of the grooming tool of FIG. 1. In the above drawings, the entire head component that is illustrated beyond the neck portion of the grooming tool handle, comprising a combing blade and head, is depicted illustratively only, and forms no part of the claimed design.

1 Claim, 7 Drawing Sheets



(58) **Field of Classification Search**

USPC D28/91.2, 63, 52, 31; D8/13, 6, 10, 11,
D8/12, 1; 126/173, 214 C, 25 R; 99/450
CPC A01K 13/00; A01K 13/002; B26B 19/24;
B26B 19/063; B26B 19/00; B26B 19/02;
B26B 19/04; B26B 19/06; B26B 19/10;
B26B 19/20; B26B 19/22; B26B 19/28;
B26B 19/38; B26B 19/382; B26B
19/3813; B26B 19/3846; B26B 21/16;
B26B 21/18; B26B 21/521; B26B
21/4075; B26B 21/522; B26B 21/00;
B26B 21/12; B26B 21/125; B26B
21/4006; B26B 21/52; B26B 21/56; B26B
21/565; B26B 15/00; B26B 13/22; B26B
13/24; B26B 13/26; A45D 24/30; A45D
24/00; A45D 24/04; A45D 24/10; A45D
24/36; A45D 24/02; A45D 24/40; A45D
24/42; A45D 24/44; A45D 2024/345;
A46B 5/02; A46B 5/021; A46B 5/026;
A46B 5/028; A46B 2200/1093; A46B
2200/10

See application file for complete search history.

(56) **References Cited**

U.S. PATENT DOCUMENTS

D229,619 S 12/1973 Sleith
D309,984 S 8/1990 Gingras
D368,999 S 4/1996 Chen
6,279,582 B1 8/2001 Wang
6,427,633 B1 8/2002 Ogden
6,681,775 B2 1/2004 Wang
6,782,846 B1 8/2004 Porter et al.
7,077,076 B2 7/2006 Porter et al.
7,222,588 B2 5/2007 Porter et al.
7,334,540 B2 2/2008 Porter et al.
D565,258 S 3/2008 Porter et al.
D584,060 S 1/2009 Hay et al.

7,509,926 B2 3/2009 Porter et al.
7,650,857 B2 1/2010 Porter et al.
7,650,858 B2 1/2010 Porter et al.
D610,755 S 2/2010 Lin
7,717,067 B2 5/2010 Porter et al.
D616,651 S 6/2010 Lin
D626,295 S 10/2010 Porter
D626,296 S 10/2010 Porter
D626,297 S 10/2010 Porter
7,814,917 B2 10/2010 Hurwitz
8,011,059 B2 9/2011 Porter et al.
D672,923 S 12/2012 Loudenback et al.
D672,924 S 12/2012 Amice et al.
8,359,755 B1 1/2013 Laube
8,555,463 B1 10/2013 Laube
D715,061 S 10/2014 Schouten et al.
D787,138 S * 5/2017 Porter D30/158
D787,755 S * 5/2017 Porter D30/158
D787,756 S * 5/2017 Porter D30/158
D790,140 S * 6/2017 Amice D30/158
D790,781 S * 6/2017 Cafasso D30/158
2007/0084416 A1 4/2007 Liao
2007/0193529 A1* 8/2007 Vandervoet A01K 13/002
119/617
2008/0017130 A1 1/2008 Porter et al.
2008/0029044 A1 2/2008 Porter et al.
2008/0078333 A1 4/2008 Wang
2009/0126648 A1 5/2009 Porter et al.
2009/0320767 A1 12/2009 Werner et al.
2011/0259281 A1* 10/2011 Mak A01K 13/002
119/631
2012/0304938 A1* 12/2012 Wang A01K 13/002
119/618
2013/0042816 A1* 2/2013 Prochaska A01K 13/002
119/601
2013/0125829 A1* 5/2013 Wang A01K 13/002
119/611
2014/0026822 A1 1/2014 Harris, II
2016/0073612 A1* 3/2016 Cafasso A45D 24/10
119/601
2018/0064065 A1* 3/2018 Wang A01K 13/002

* cited by examiner

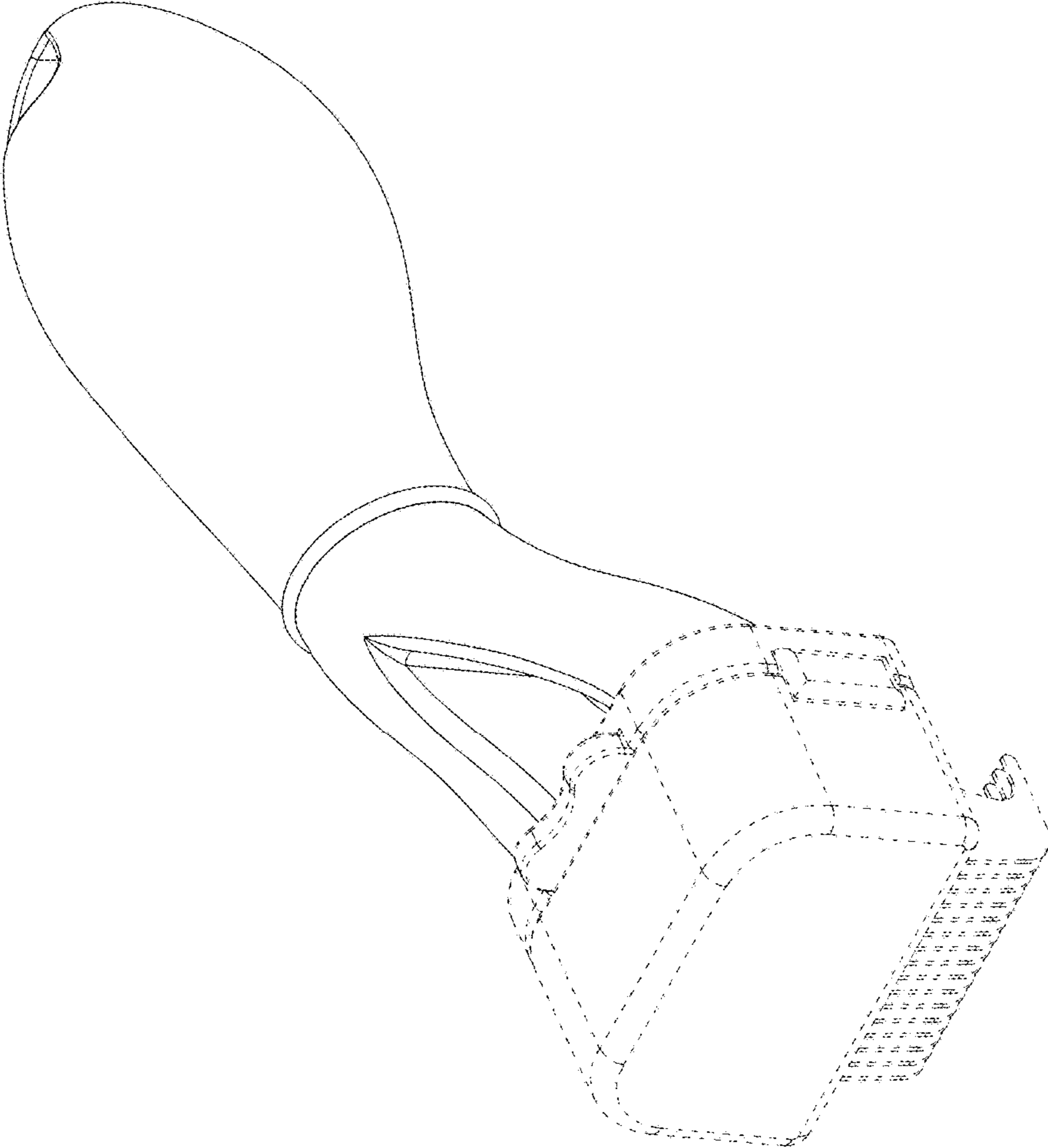


FIG. 1

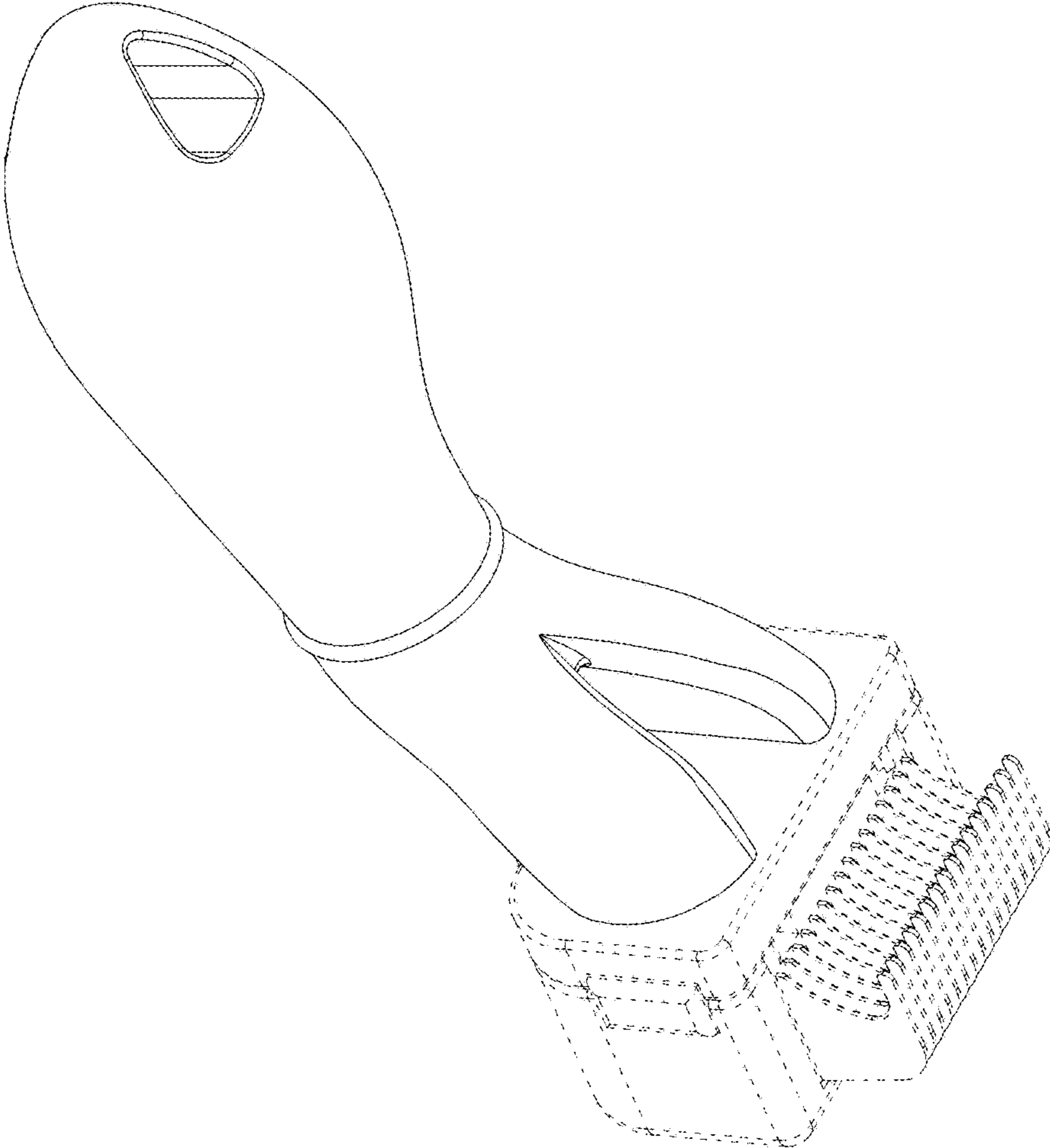


FIG. 2

FIG. 3

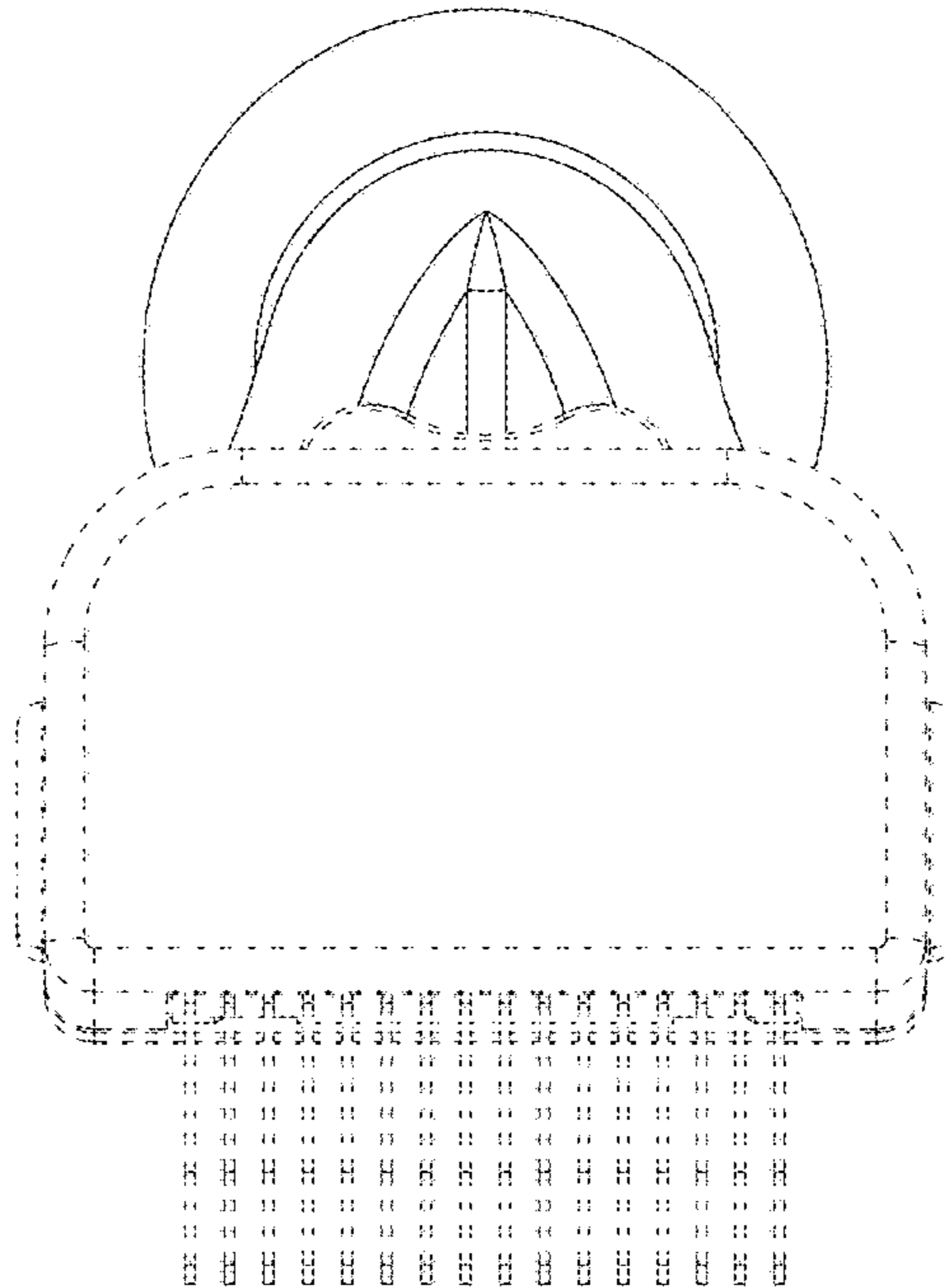
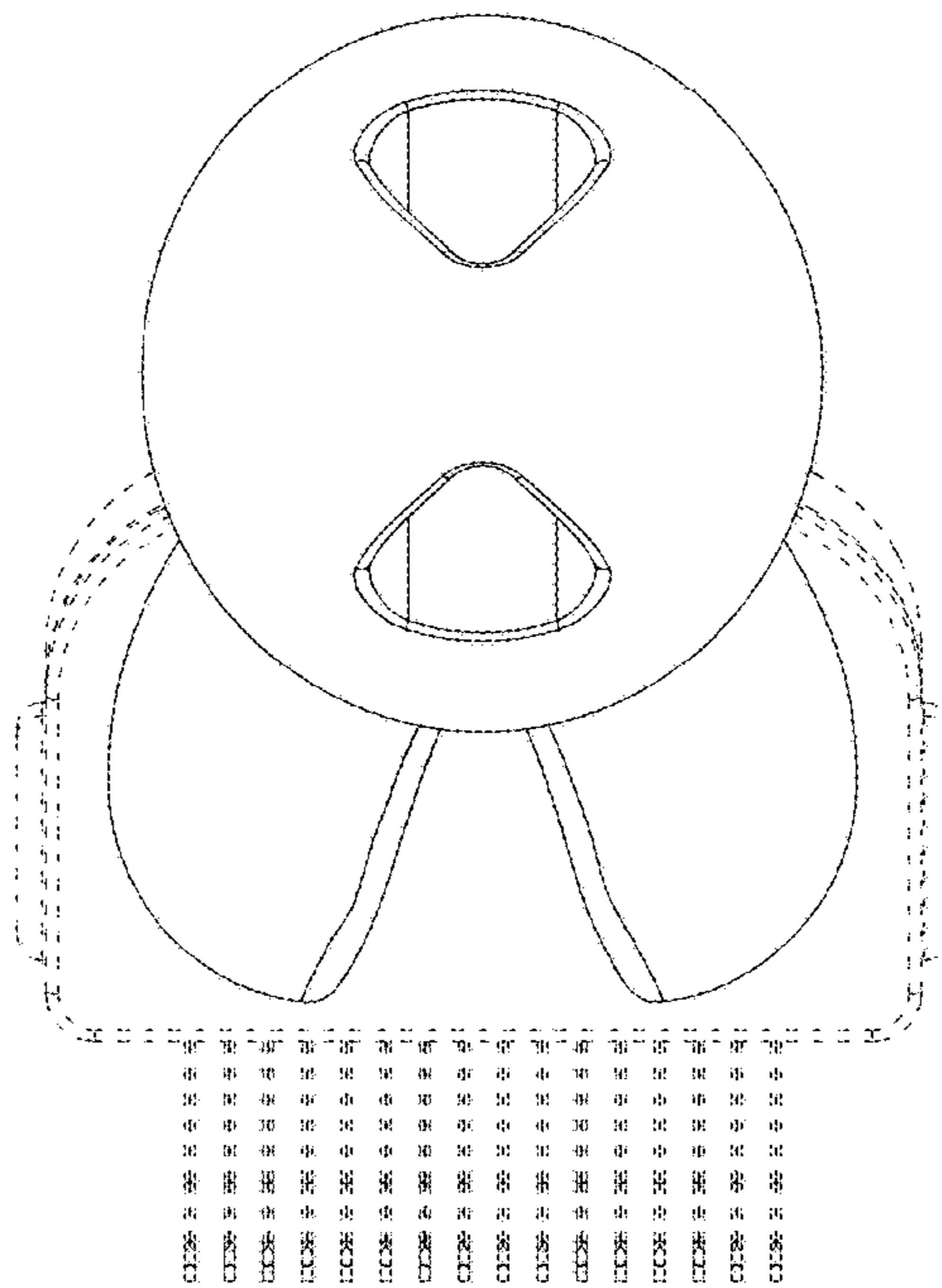


FIG. 4



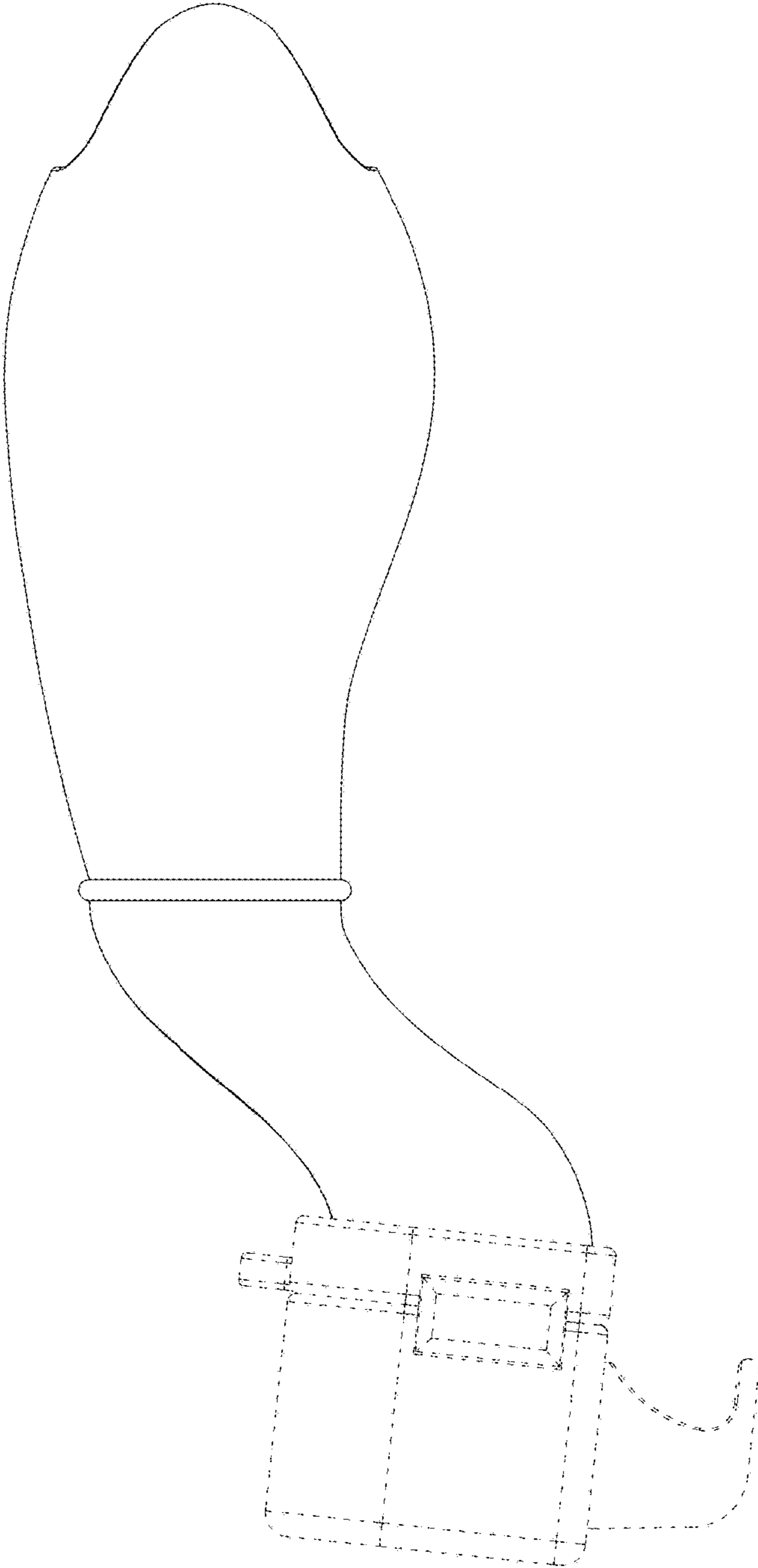


FIG. 5

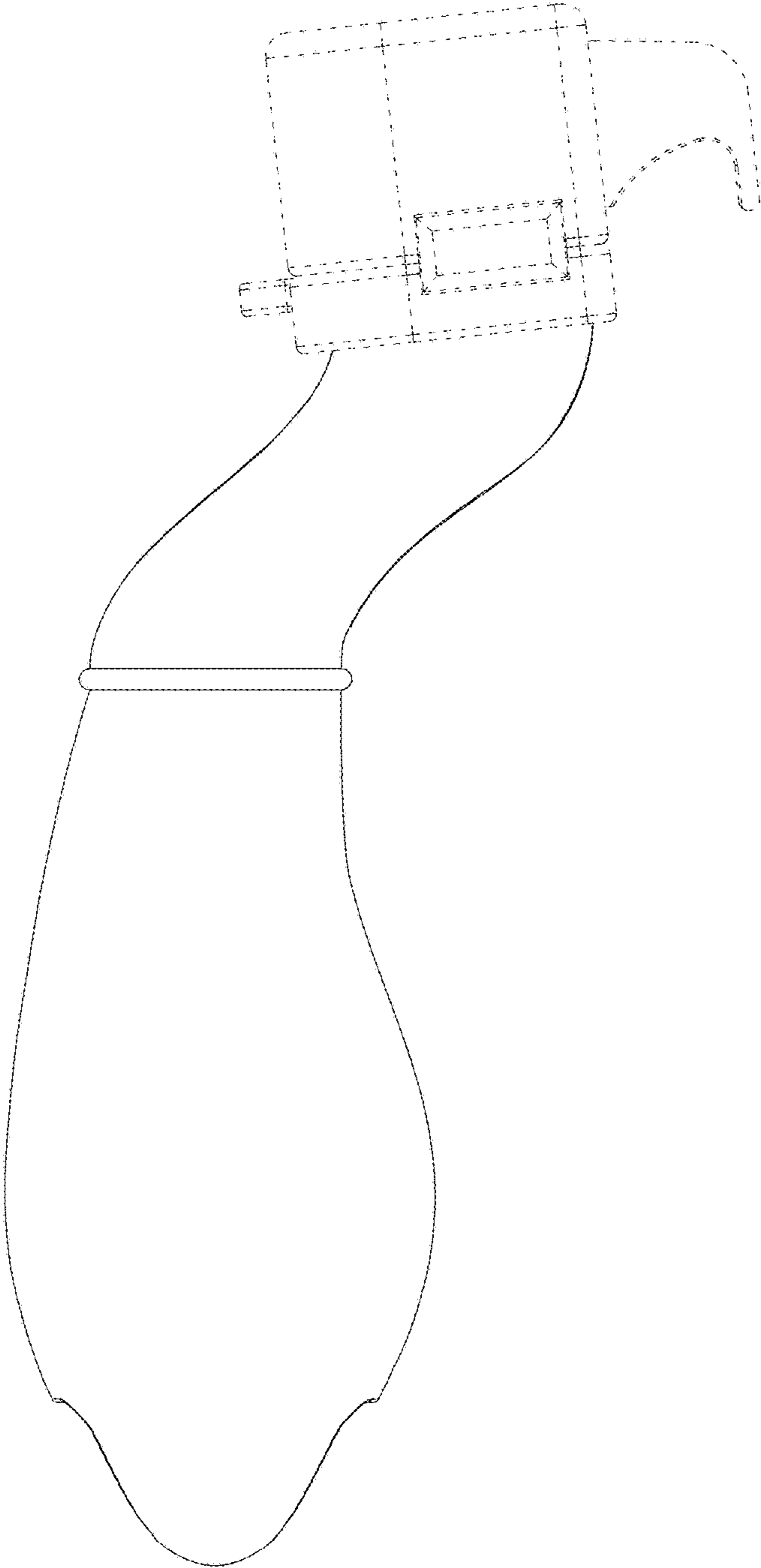


FIG. 6

FIG. 7

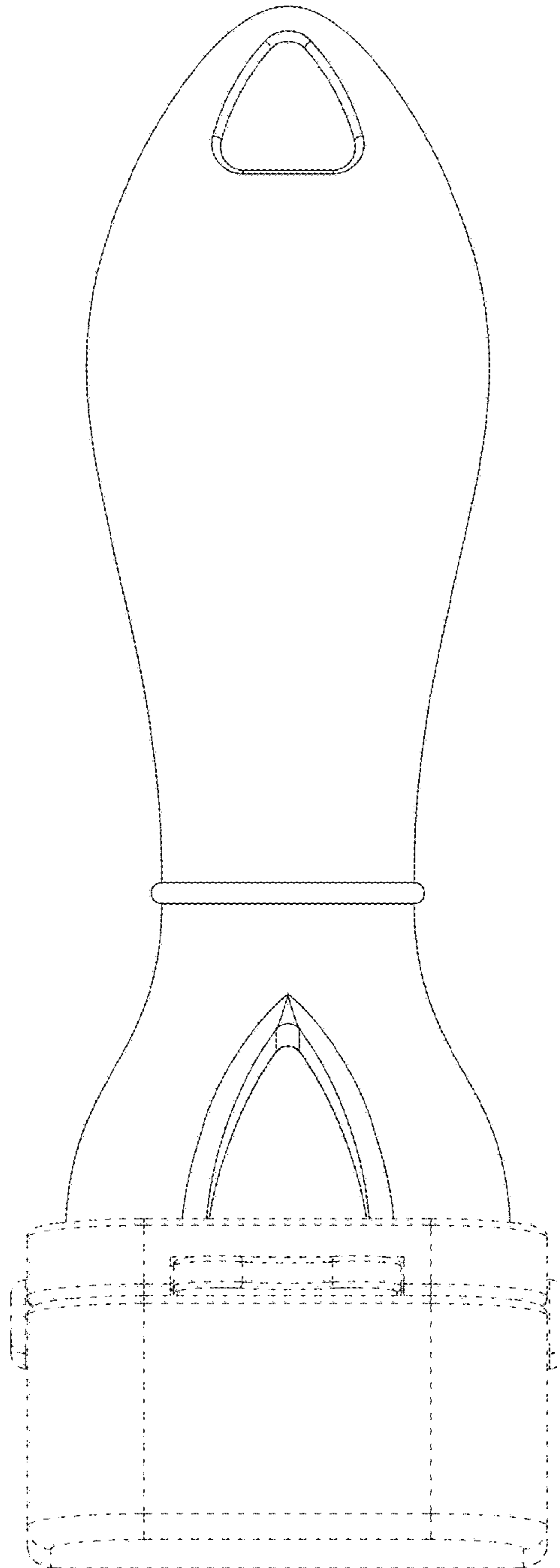


FIG. 8

