

US00D843660S

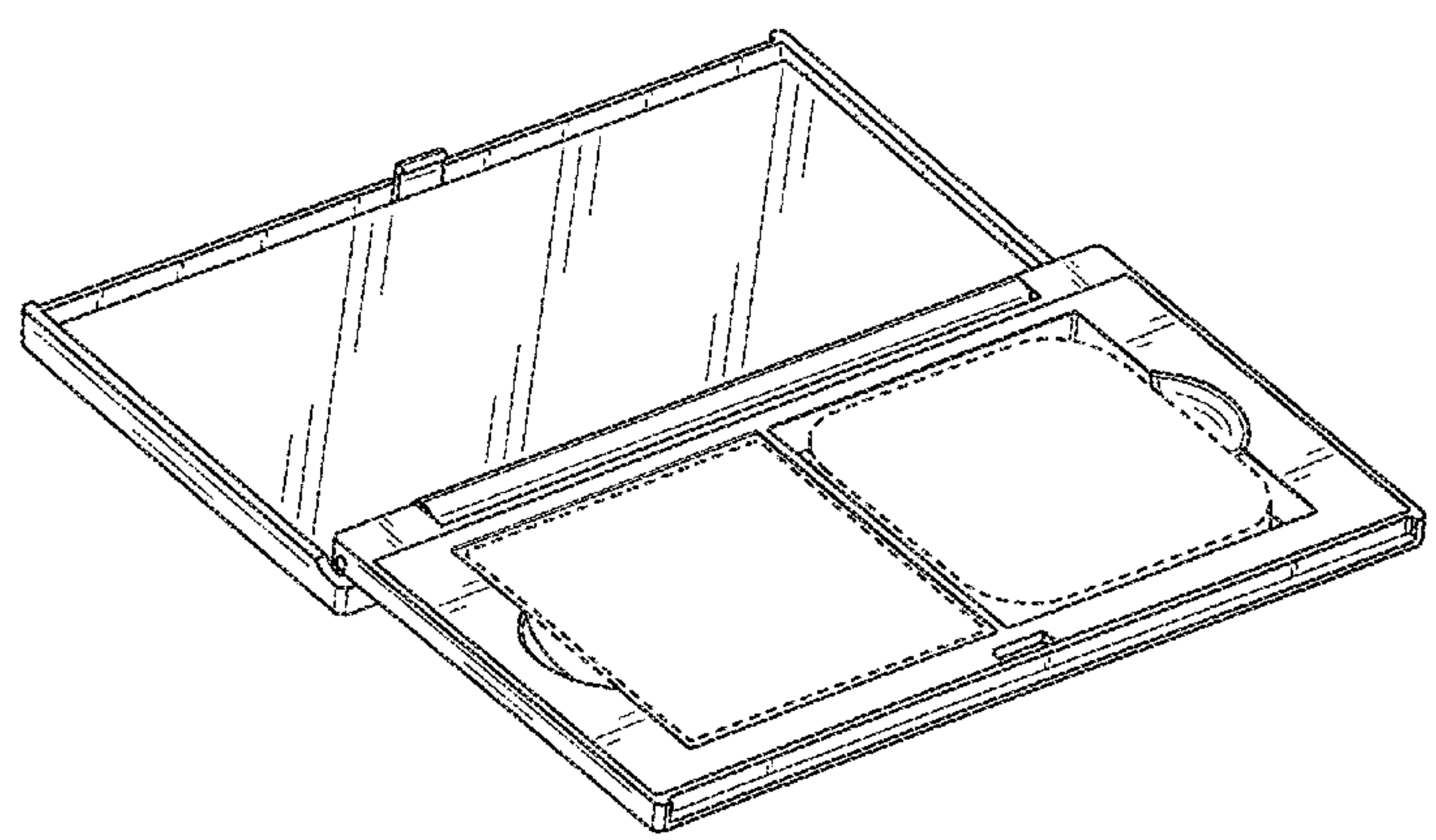
(12) **United States Design Patent** (10) **Patent No.:** **US D843,660 S**
Staab et al. (45) **Date of Patent:** **** Mar. 19, 2019**

(54) **COSMETIC COMPACT**
(71) Applicant: **Mary Kay Inc.**, Addison, TX (US)
(72) Inventors: **Jenny DeMarco Staab**, Frisco, TX (US); **Alexa Hanna**, Addison, TX (US)
(73) Assignee: **Mary Kay Inc.**, Addison, TX (US)
(**) Term: **15 Years**
(21) Appl. No.: **29/627,406**
(22) Filed: **Nov. 27, 2017**
(51) **LOC (11) Cl.** **28-03**
(52) **U.S. Cl.**
USPC **D28/83**
(58) **Field of Classification Search**
USPC D28/76-84
CPC A45D 33/00; A45D 33/003; A45D 33/006-33/008; A45D 33/16; A45D 33/24; A45D 33/20; A45D 2200/051-2200/053; A45D 40/22; A45D 40/24
See application file for complete search history.

4,421,127 A * 12/1983 Geer A45D 33/006 132/294
D277,422 S 1/1985 Bakic
D279,225 S 6/1985 Chevassus
D280,244 S 8/1985 Buchet
D280,852 S 10/1985 Bakic
D280,853 S 10/1985 Bakic
D281,731 S 12/1985 Phu
4,589,430 A 5/1986 Sussman
D291,608 S 8/1987 Chevassus
D291,609 S 8/1987 Bakic
D292,626 S 11/1987 Chevassus
D293,612 S 1/1988 Bulwik
D293,724 S 1/1988 Kingsford et al.
D295,452 S 4/1988 Bakic
D301,124 S 5/1989 Bakic
D301,642 S 6/1989 Bakic
D302,604 S 8/1989 Bakic
D303,582 S 9/1989 Gavin
D303,583 S 9/1989 Bakic
4,863,034 A 9/1989 Contreras, Sr.
D305,164 S 12/1989 Hall
D307,335 S 4/1990 Scalamandre et al.
D307,810 S 5/1990 Gavin
4,951,692 A 8/1990 Yuhara et al.
D310,735 S 9/1990 Ferrari
D314,448 S 2/1991 Bakic
D316,462 S 4/1991 Restrepo
5,005,697 A 4/1991 Jimbo et al.
D316,763 S 5/1991 Ferrari
D321,415 S 11/1991 Chen
D321,416 S 11/1991 Bakic
D322,692 S 12/1991 Trabattoni
D322,865 S 12/1991 Favre
D324,587 S 3/1992 Di Nuccio
5,092,354 A 3/1992 Pacelli, Jr.
D326,226 S 5/1992 Gerhart
5,161,556 A 11/1992 Audebourg et al.
D332,328 S 1/1993 Lombardi, Jr.
D338,279 S 8/1993 Davis
D339,883 S 9/1993 Madar
D345,622 S 3/1994 Byars et al.
D345,826 S 4/1994 Byars et al.
D347,089 S 5/1994 Byars et al.
D351,049 S 9/1994 Schlueter
D352,601 S 11/1994 Dallaire
D355,730 S 2/1995 Chen
5,437,294 A * 8/1995 Ebbets, III A45D 40/22 132/296
D365,892 S 1/1996 Markham
5,638,838 A 6/1997 Lombardi
5,655,553 A 8/1997 Giese et al.
5,682,910 A 11/1997 Kizawa et al.

(56) **References Cited**
U.S. PATENT DOCUMENTS

1,414,899 A 5/1922 Sabatelli
1,502,013 A 7/1924 Benois
1,632,864 A 6/1927 Weber
1,694,702 A 12/1928 Deitel
1,778,522 A 10/1930 Deitel
1,830,665 A 11/1931 Lessing
1,851,462 A 3/1932 Stellar
1,919,486 A 7/1933 Storch
D112,651 S 12/1938 Barnhart
2,161,715 A 6/1939 MacDonald
2,196,801 A 4/1940 Kreisler
2,415,357 A 2/1947 Kucki
2,421,646 A 6/1947 Pepin
3,911,936 A 10/1975 Kingsford
D252,891 S 9/1979 Stutzer
D262,151 S 12/1981 Sussman
D263,634 S 3/1982 Ballereaud
D270,387 S 8/1983 Rutherford



US D843,660 S

5,713,471 A	2/1998	Gueret	D655,865 S	3/2012	Villarreal et al.
D397,831 S	9/1998	Stoecker	D655,866 S	3/2012	Villarreal et al.
5,813,420 A	9/1998	Sussman	8,215,320 B2	7/2012	Prague et al.
D401,017 S	11/1998	Thorpe	D682,474 S	5/2013	Owen et al.
D404,532 S	1/1999	Castagna	D682,475 S	5/2013	Owen et al.
D404,533 S	1/1999	Morgan	D687,186 S	7/2013	Lai
D407,853 S	4/1999	Morgan	D687,187 S *	7/2013	Lai D28/83
D407,855 S	4/1999	Orsomando	D687,188 S	7/2013	Lai
D407,856 S	4/1999	Orsomando	D687,603 S	8/2013	Chen et al.
D409,801 S	5/1999	Kim	D688,008 S	8/2013	Fama
D411,767 S	7/1999	Keller	D688,831 S	8/2013	Giardina
D412,602 S	8/1999	Bakic	8,573,233 B2	11/2013	Chen
D422,120 S	3/2000	Orsomando	8,590,545 B2	11/2013	Won
D422,753 S *	4/2000	Einarson D28/64.3	D709,651 S	7/2014	Gaito
D424,245 S	5/2000	Stoecker	8,770,209 B2	7/2014	Kim et al.
D428,208 S	7/2000	Nodarse	8,807,146 B2	8/2014	Sobol
D428,210 S	7/2000	Gavin	D718,499 S	11/2014	Pourmehr
D428,211 S	7/2000	Gavin	D718,500 S	11/2014	Pourmehr
D433,539 S	11/2000	Gavin	D718,904 S	12/2014	Parker
D433,773 S	11/2000	Gavin	D718,905 S	12/2014	Matsuishi et al.
D434,189 S	11/2000	Gavin	D718,906 S *	12/2014	Matsuishi D28/83
D434,875 S	12/2000	Gavin	D719,301 S	12/2014	Parker
6,227,208 B1	5/2001	Imbert	D720,501 S	12/2014	Pourmehr
D446,608 S	8/2001	Goswell	D721,854 S	1/2015	Parker
D453,859 S	2/2002	Spearman	D721,855 S	1/2015	Lavigne
D457,687 S	5/2002	Millar	D721,856 S	1/2015	Villarreal et al.
D465,305 S	11/2002	Thorpe et al.	D722,205 S	2/2015	Parker
D468,868 S	1/2003	Thorpe et al.	D722,406 S	2/2015	Greenfield
D469,223 S	1/2003	Thorpe et al.	D722,724 S	2/2015	Guor
D475,810 S	6/2003	Lai	D722,725 S	2/2015	Jin
D475,811 S	6/2003	Bontempo	D723,218 S	2/2015	Goswell
D477,895 S	7/2003	Goswell	D723,219 S	2/2015	Goswell
D478,397 S	8/2003	Bakic	D723,220 S *	2/2015	Guor D28/83
D480,837 S	10/2003	Liu	D723,742 S *	3/2015	Shteyssel D28/83
D491,315 S	6/2004	Dittmer et al.	D724,785 S	3/2015	Frederick
D493,919 S	8/2004	Beilman	D730,581 S	5/2015	Hwang
D496,133 S	9/2004	Dittmer et al.	D736,468 S	8/2015	Goswell
D496,134 S	9/2004	Lai	D753,882 S *	4/2016	Chertoff D28/83
D503,245 S	3/2005	Vanoncini	D768,335 S *	10/2016	Parker D28/83
D505,752 S	5/2005	Martinez	D768,935 S	10/2016	Parker
D511,025 S	10/2005	Martinez	D779,736 S	2/2017	Hansen
D511,224 S	11/2005	Martinez	D790,134 S *	6/2017	Shteyssel D28/64.3
D512,533 S	12/2005	Martinez	9,693,618 B2	7/2017	Shasteen et al.
D518,603 S	4/2006	Dittmer et al.	D806,532 S *	1/2018	Richmond D9/420
7,117,874 B2	10/2006	Gubernick	D830,637 S *	10/2018	Yoo D28/83
D552,797 S *	10/2007	Kueth D28/83	2004/0040570 A1	3/2004	Shih
D553,799 S	10/2007	Williams	2005/0011895 A1	1/2005	Lin
D554,804 S	11/2007	Bernard	2005/0199571 A1	9/2005	Geisler et al.
D561,944 S	2/2008	Ashiwa et al.	2005/0231835 A1	10/2005	Tokushita et al.
D564,707 S	3/2008	Barresi	2006/0027481 A1	2/2006	Gelardi et al.
7,410,073 B2	8/2008	Yuhara	2006/0112966 A1	6/2006	Phue
D576,354 S	9/2008	Dominski et al.	2006/0188850 A1	8/2006	Mills
7,451,887 B2	11/2008	Kobayashi et al.	2006/0226164 A1	10/2006	Graham
D595,455 S	6/2009	Nagasaki	2007/0246060 A1	10/2007	Yuhara et al.
D595,900 S	7/2009	Yamamoto	2008/0023023 A1	1/2008	Boye et al.
D596,354 S	7/2009	Yamamoto	2008/0060672 A1	3/2008	Williams
D597,256 S	7/2009	Liden	2009/0044826 A1	2/2009	Eng et al.
D600,857 S	9/2009	Maddy et al.	2009/0078279 A1	3/2009	Boye et al.
D601,757 S	10/2009	Sagel	2010/0031971 A1 *	2/2010	Ha A45D 33/006 132/293
D603,564 S	11/2009	Liden	2010/0051049 A1	3/2010	Jaworski et al.
D611,657 S	3/2010	Maddy et al.	2010/0059081 A1	3/2010	Yoshida et al.
D621,548 S	8/2010	Chen	2010/0132734 A1	6/2010	Mills
D626,290 S	10/2010	Ohmoto et al.	2011/0197913 A1	8/2011	Chen
7,810,644 B2	10/2010	Fraillon	2012/0055503 A1	3/2012	Kuo
D626,694 S	11/2010	Ha	2012/0136748 A1 *	5/2012	Shasteen A45D 33/18 705/26.5
D629,201 S	12/2010	Demarco	2013/0061867 A1	3/2013	Kim et al.
7,849,863 B2	12/2010	Corbellini	2013/0133686 A1	5/2013	Shteyssel
D631,609 S	1/2011	Lai	2015/0068550 A1	3/2015	Sasaki
D631,610 S	1/2011	Barresi et al.	2017/0280851 A1	10/2017	Lee
D632,016 S	2/2011	Lee			
7,909,205 B2	3/2011	Moon			
D636,534 S	4/2011	Lai			
D638,582 S	5/2011	Ohmoto et al.			
D642,743 S	8/2011	Shteyssel			
D643,155 S	8/2011	Ohmoto et al.			
D645,617 S	9/2011	Mandavi	CN	301035289D	10/2009
D653,397 S	1/2012	de Lima Paschoal	CN	302070762 S	9/2012
D655,045 S	2/2012	Paschoal et al.	CN	302114071 S	10/2012
D655,046 S	2/2012	Nakamura	CN	302323863 S	2/2013
			CN	302851802 S	6/2014

FOREIGN PATENT DOCUMENTS

CN	303022178	S	12/2014
CN	303370977	S	9/2015
CN	303665659	S	5/2016
CN	303687187	S	6/2016
CN	303731677	S	6/2016
CN	304049456	S	2/2017
DE	402009003421-0001		12/2009
DE	402009003421-0002		12/2009
DE	402013003218-0001		8/2013
DE	402013003218-0002		8/2013
EM	IR 00084990-0005		12/2014
EM	IR 00084990-0006		12/2014
EM	IR 00084990-0007		12/2014
EM	IR 00084990-0008		12/2014
EP	3187068		7/2017
JP	2009160534		7/2009
KR	30-0183466		7/1996
KR	30-0281211		7/2001
KR	30-0306365		8/2002
KR	30-0323399		4/2003
KR	30-0401211		12/2005
KR	30-0403923		1/2006
KR	30-0424395		9/2006
KR	30-0529731		5/2009
KR	30-07162441		11/2013
KR	30-0755705		8/2014
KR	101756976		7/2017
MX	5920		3/1993
MX	5960		4/1993
MX	7357		10/1994
MX	13872		6/2002
MX	17981		5/2005
MX	2113		7/2006
MX	32431		11/2010
MX	33879		7/2011
MX	33881		7/2011
MX	33884		7/2011
MX	41956		7/2014
MX	50030		6/2017
WO	WO 2016/047965		3/1916
WO	WO 2006/110839		10/2006
WO	WO 2010/005160		1/2010

OTHER PUBLICATIONS

www.sparkleshinylove.com, Vichy Teint Compact, 1 page, reviewed Jan. 18, 2017.*
 www.walmart.com, “The Nudes by Maybelline”—1 page, downloaded Aug. 5, 2018.
 www.ulta.com, “Ulta beauty Rose Gold,” 1 page, downloaded Aug. 5, 2018.
 www.ulta.com, “Hyper Real Glow,” 1 page, downloaded Aug. 5, 2018.
 www.ulta.com, “Bare Naturals,” 1 page, downloaded Aug. 5, 2018.

* cited by examiner

Primary Examiner — Jennifer Rivard
 (74) Attorney, Agent, or Firm — Norton Rose Fulbright US LLP

(57) CLAIM

We Claim the ornamental design for a cosmetic compact, as shown and described.

DESCRIPTION

FIG. 1 is a top perspective view of an embodiment of a cosmetic compact in an opened position with a cosmetic pan and a cosmetic applicator each shown in dashed lines. The inside surface of the lid includes a mirror, which is represented with oblique lines;

FIG. 2 is a front view of the cosmetic compact shown in FIG. 1;
 FIG. 3 is a back view of the cosmetic compact shown in FIG. 1;
 FIG. 4 is a left side view of the cosmetic compact shown in FIG. 1;
 FIG. 5 is a right side view of the cosmetic compact shown in FIG. 1;
 FIG. 6 is a top view of the cosmetic compact shown in FIG. 1;
 FIG. 7 is a bottom view of the cosmetic compact shown in FIG. 1;
 FIG. 8 is a bottom perspective view of the cosmetic compact shown in FIG. 1;
 FIG. 9 is a top perspective view of a second embodiment of a cosmetic compact in an opened position. The inside surface of the lid includes a mirror, which is represented with oblique lines;
 FIG. 10 is a front view of the cosmetic compact shown in FIG. 9;
 FIG. 11 is a back view of the cosmetic compact shown in FIG. 9;
 FIG. 12 is a left side view of the cosmetic compact shown in FIG. 9;
 FIG. 13 is a right side view of the cosmetic compact shown in FIG. 9;
 FIG. 14 is a top view of the cosmetic compact shown in FIG. 9;
 FIG. 15 is a bottom view of the cosmetic compact shown in FIG. 9;
 FIG. 16 is a bottom perspective view of the cosmetic compact shown in FIG. 9.
 FIG. 17 is a top perspective view of a third embodiment of a cosmetic compact in an opened position with a cosmetic pan and a cosmetic applicator each shown in dashed lines;
 FIG. 18 is a front view of the cosmetic compact shown in FIG. 17;
 FIG. 19 is a back view of the cosmetic compact shown in FIG. 17;
 FIG. 20 is a left side view of the cosmetic compact shown in FIG. 17;
 FIG. 21 is a right side view of the cosmetic compact shown in FIG. 17;
 FIG. 22 is a top view of the cosmetic compact shown in FIG. 17;
 FIG. 23 is a bottom view of the cosmetic compact shown in FIG. 17;
 FIG. 24 is a bottom perspective view of the cosmetic compact shown in FIG. 17;
 FIG. 25 is a top perspective view of a fourth embodiment of a cosmetic compact in an opened position;
 FIG. 26 is a front view of the cosmetic compact shown in FIG. 25;
 FIG. 27 is a back view of the cosmetic compact shown in FIG. 25;
 FIG. 28 is a left side view of the cosmetic compact shown in FIG. 25;
 FIG. 29 is a right side view of the cosmetic compact shown in FIG. 25;
 FIG. 30 is a top view of the cosmetic compact shown in FIG. 25;
 FIG. 31 is a bottom view of the cosmetic compact shown in FIG. 25; and,
 FIG. 32 is a bottom perspective view of the cosmetic compact shown in FIG. 25.

The dashed lines in FIGS. 1, 6, 17 and 22 are included for the purpose of illustrating portions of the cosmetic compact that form no part of the claimed design.

1 Claim, 20 Drawing Sheets

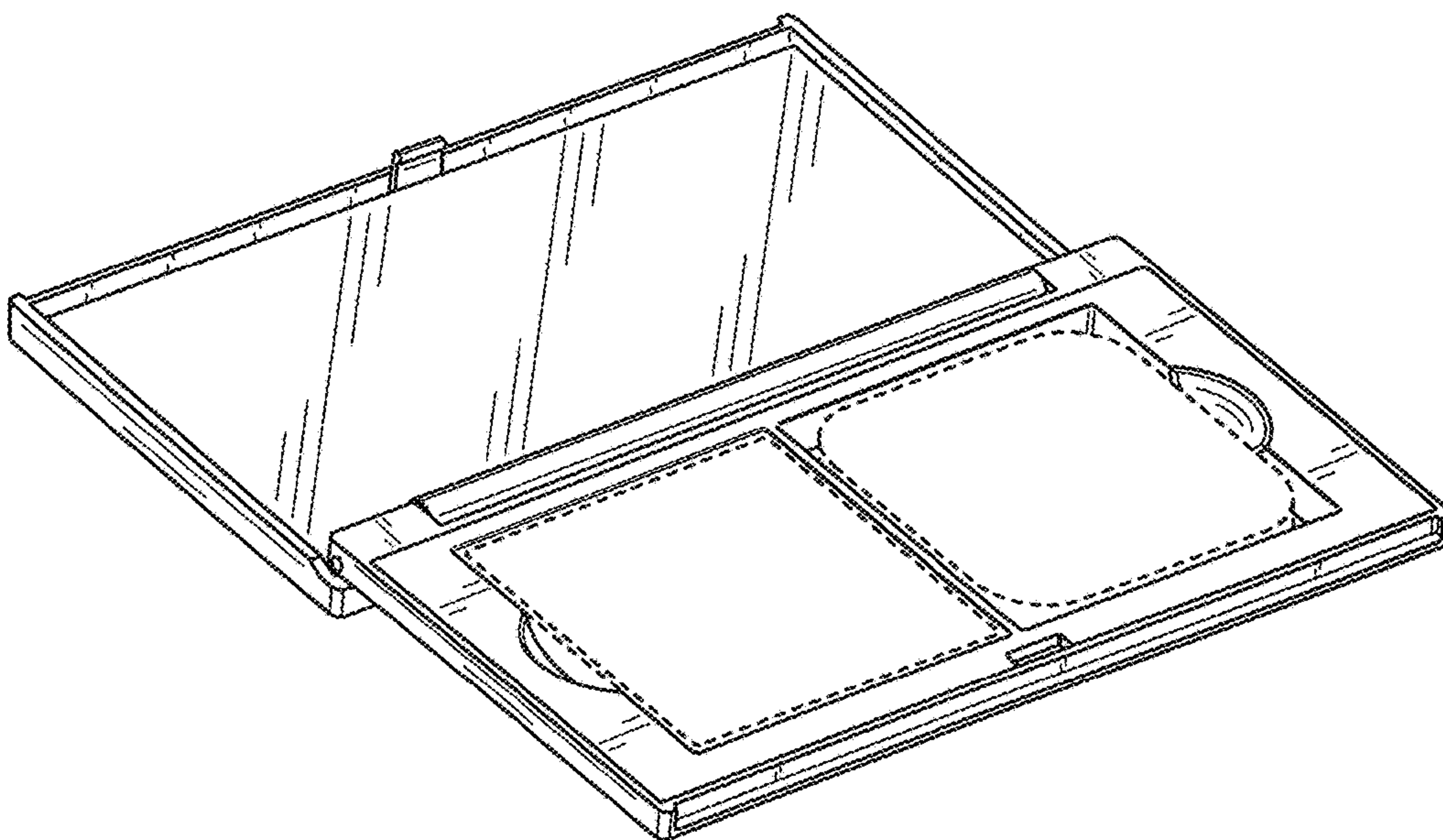


FIG. 1

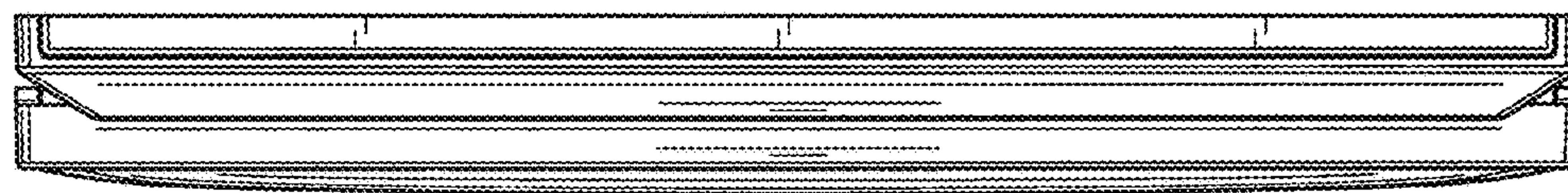


FIG. 2

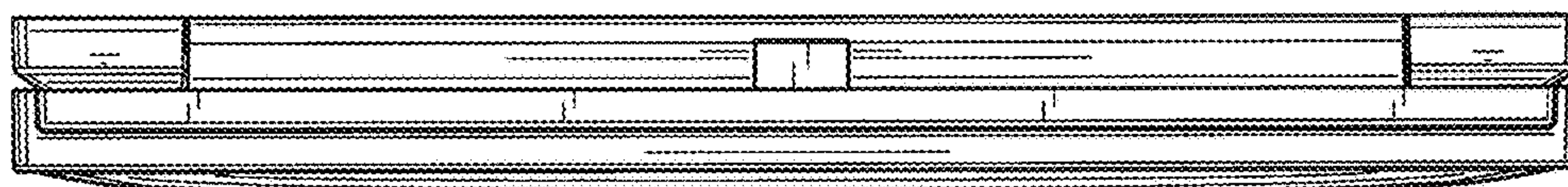


FIG. 3

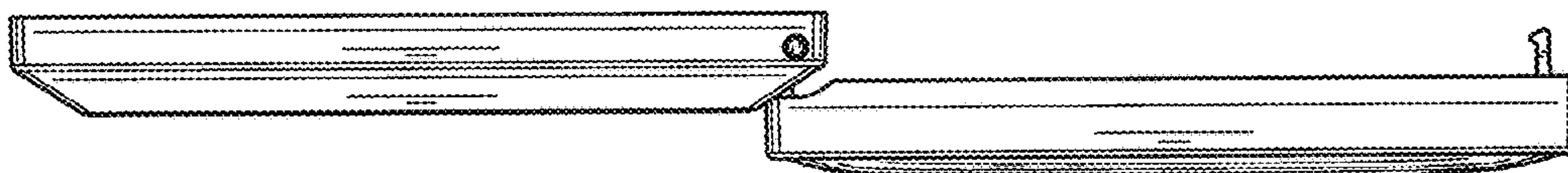


FIG. 4

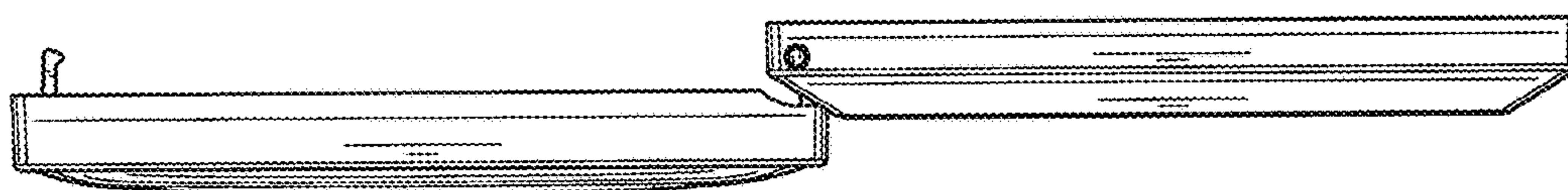


FIG. 5

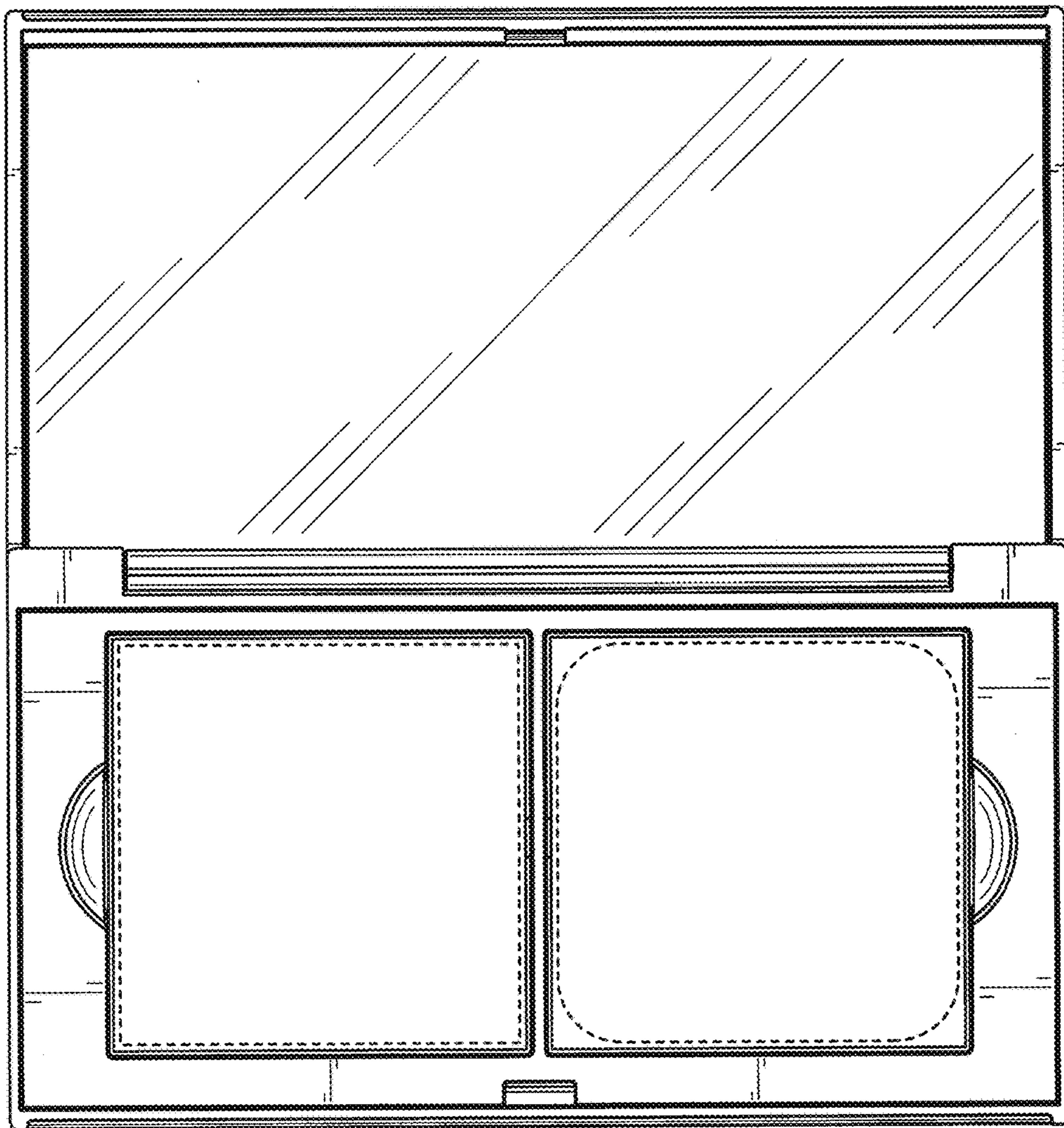


FIG. 6

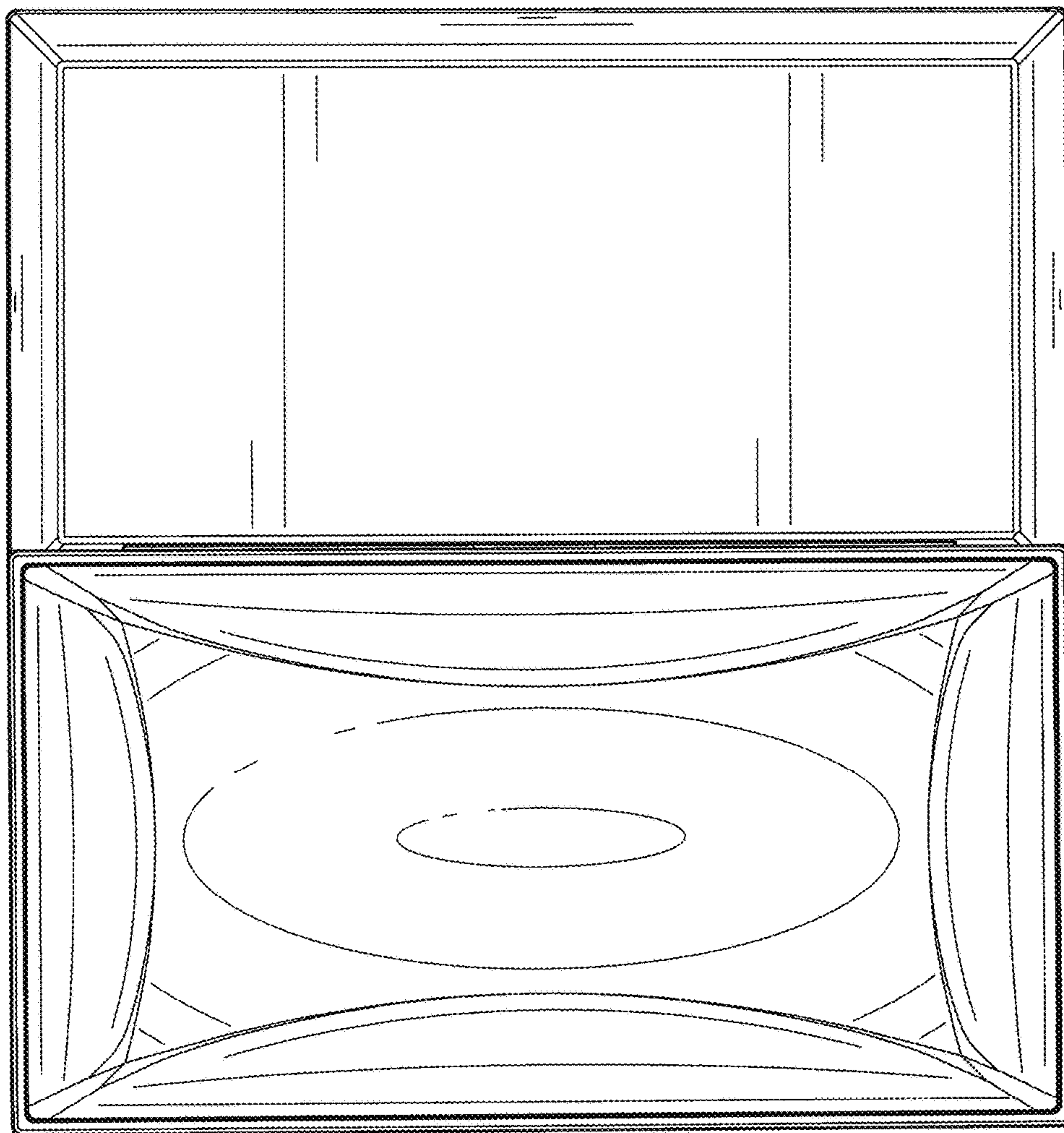


FIG. 7

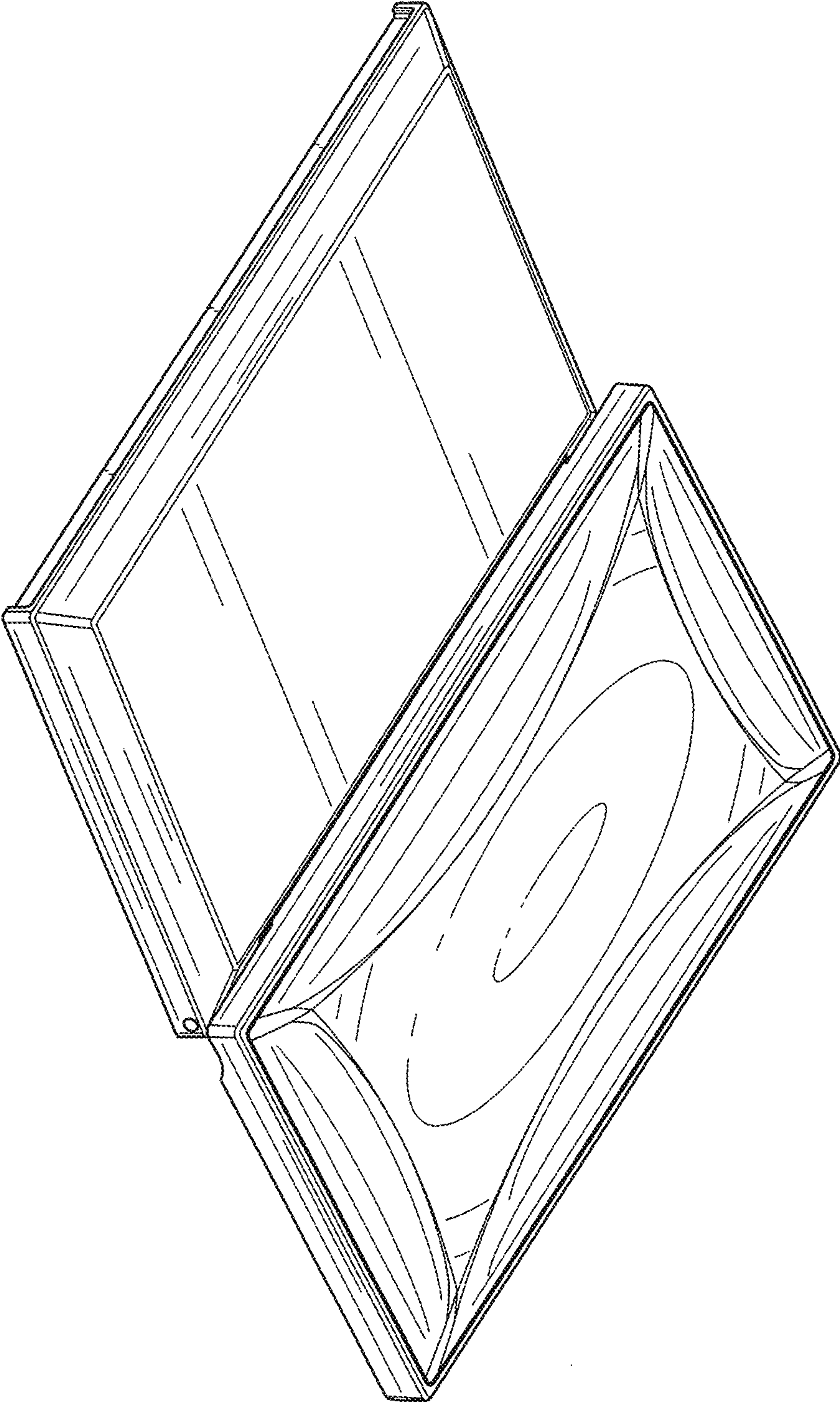


FIG. 8

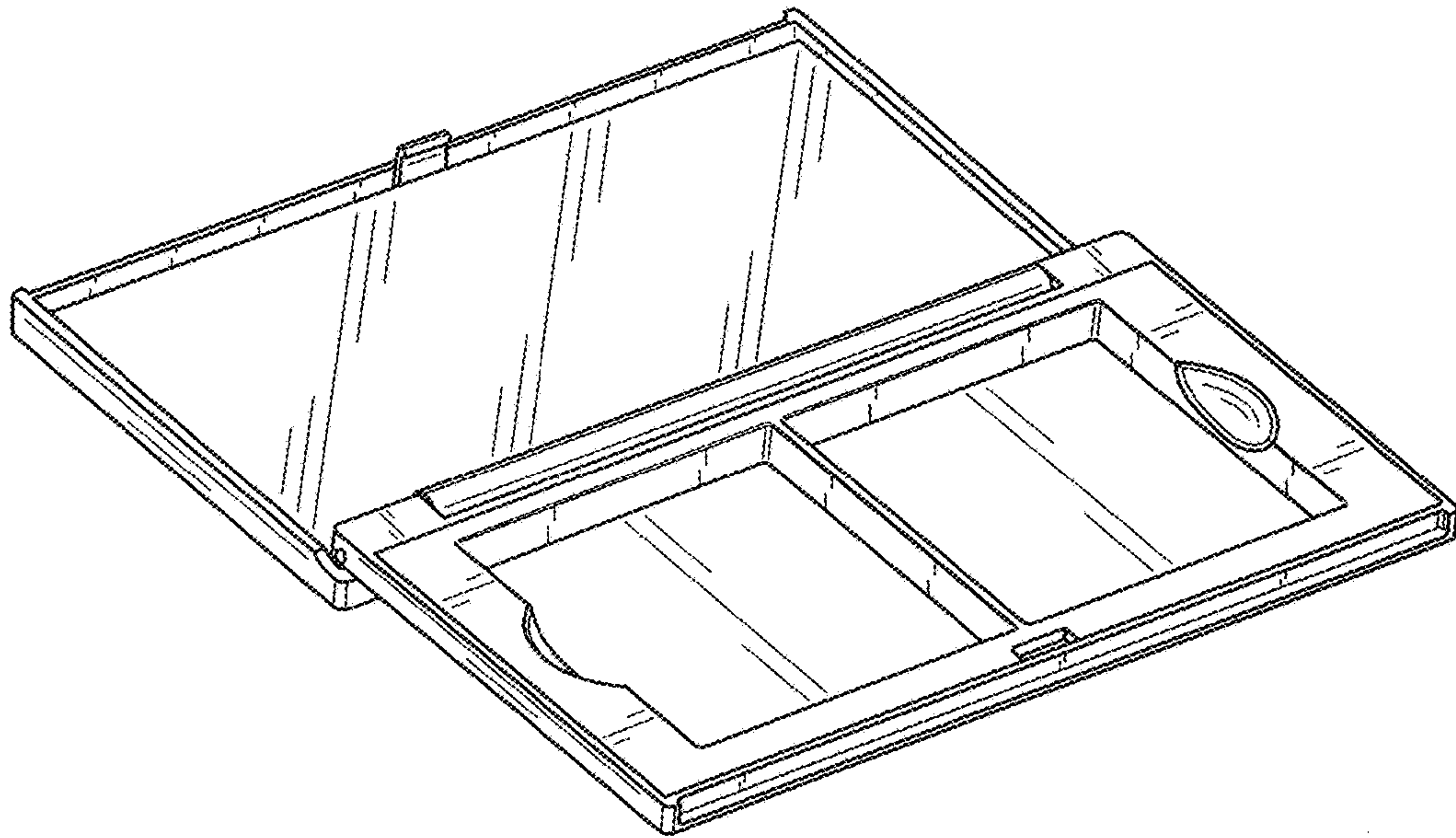


FIG. 9

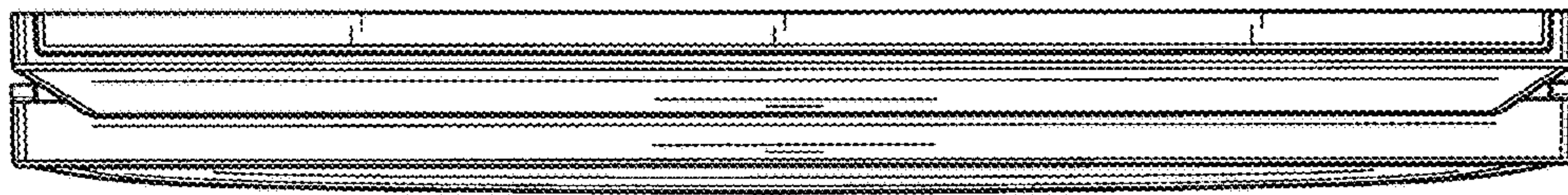


FIG. 10

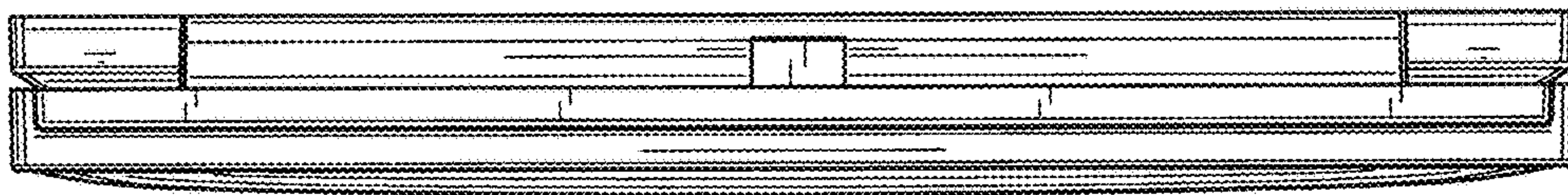


FIG. 11

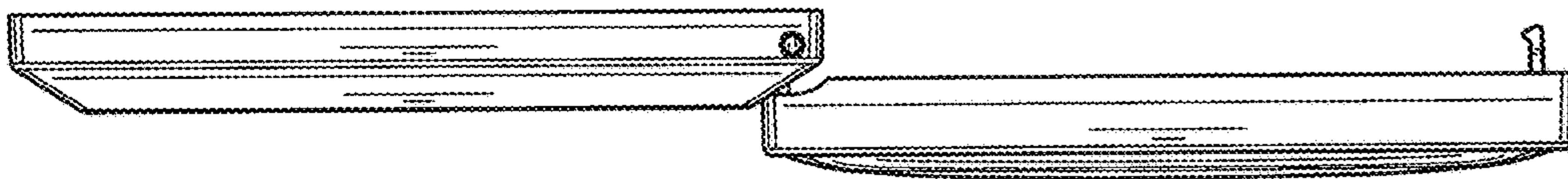


FIG. 12

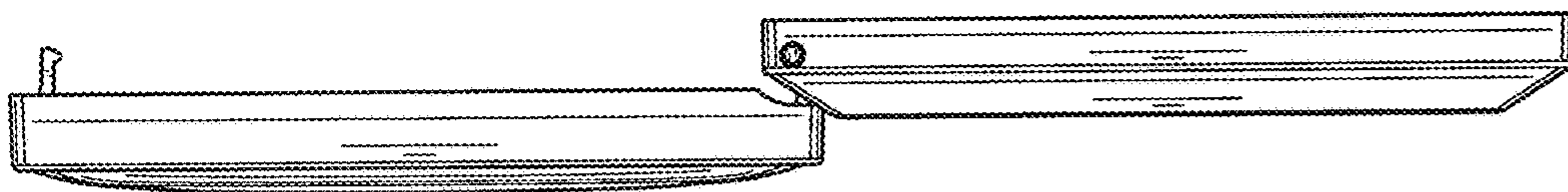


FIG. 13

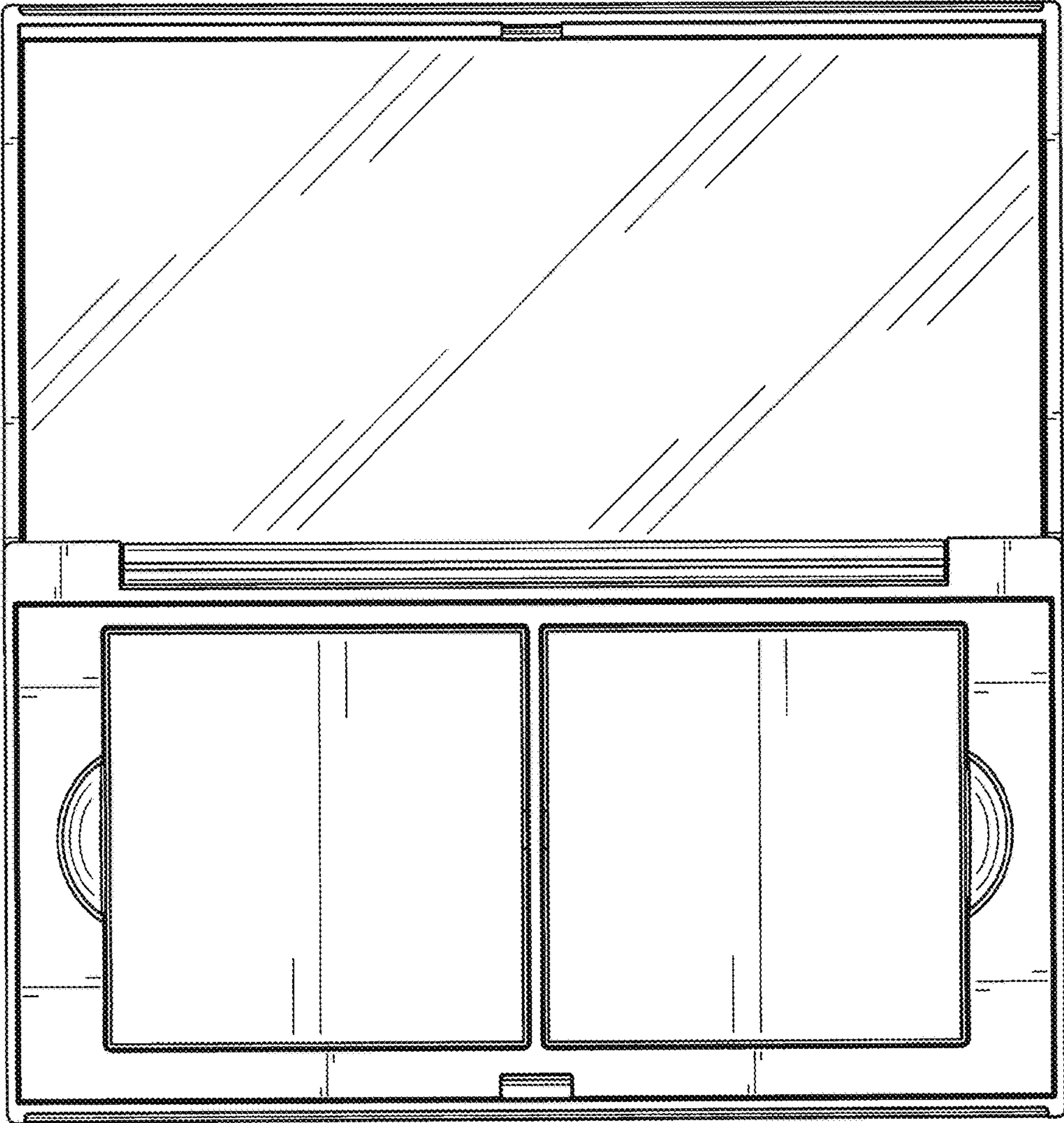


FIG. 14

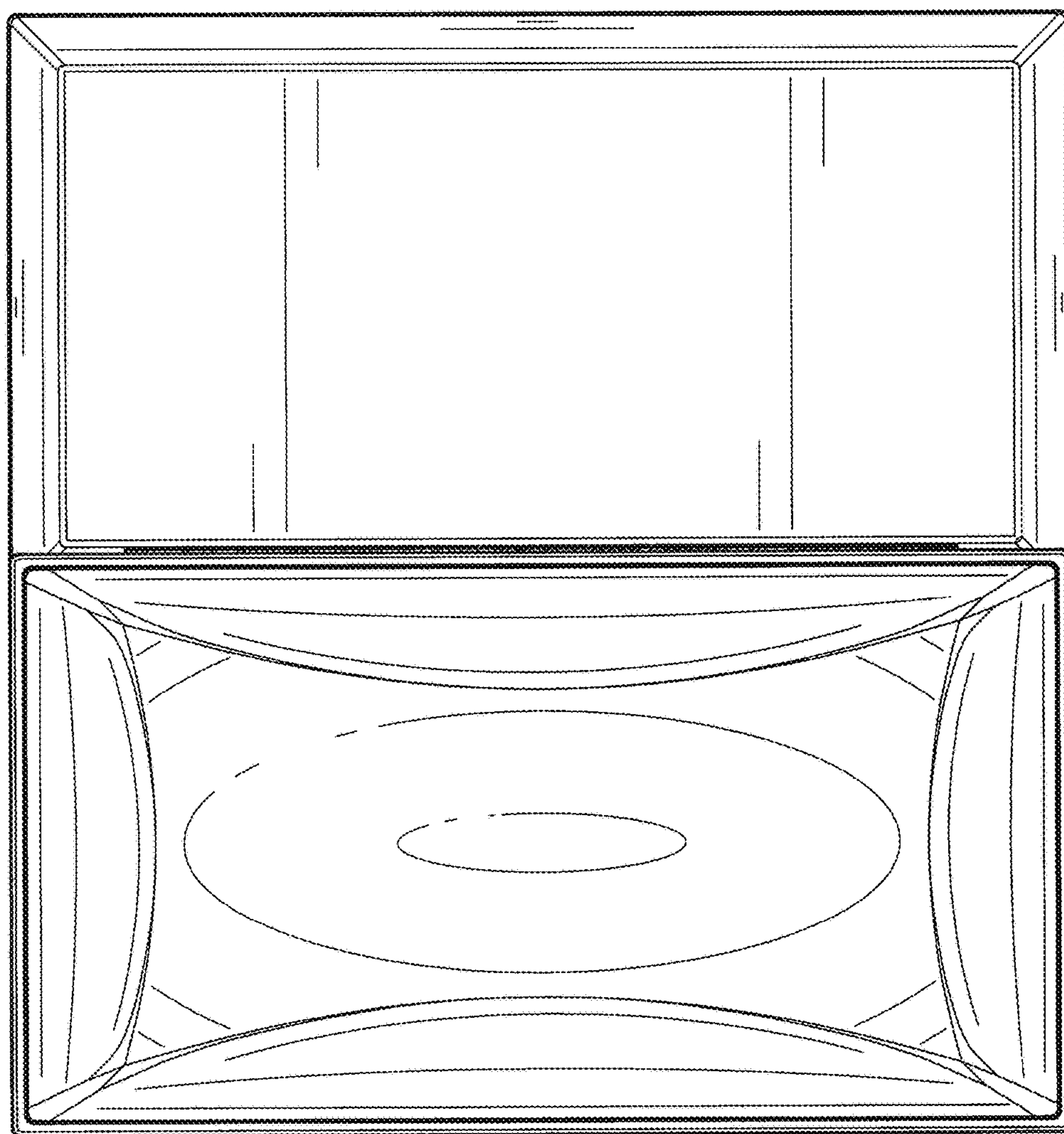


FIG. 15

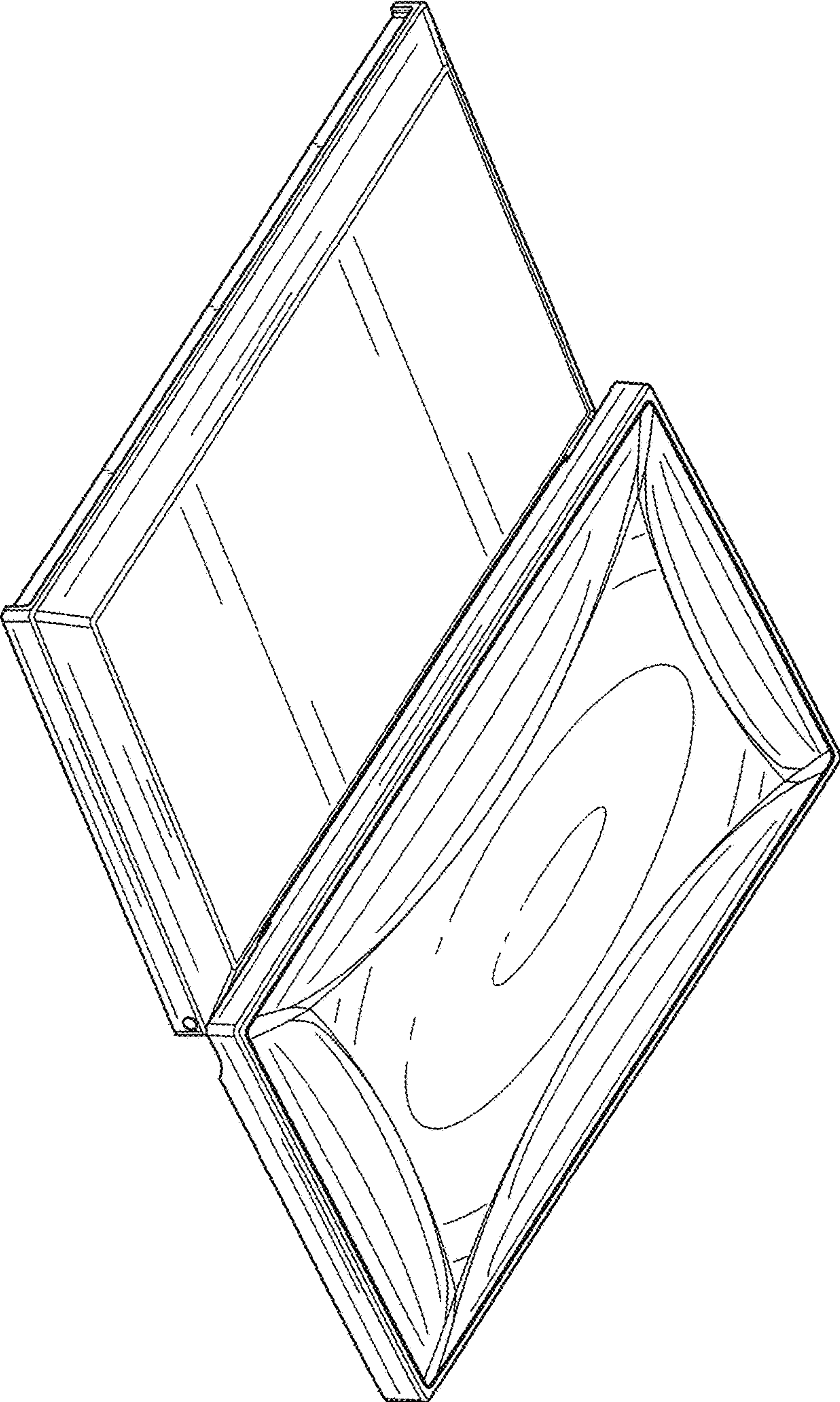


FIG. 16

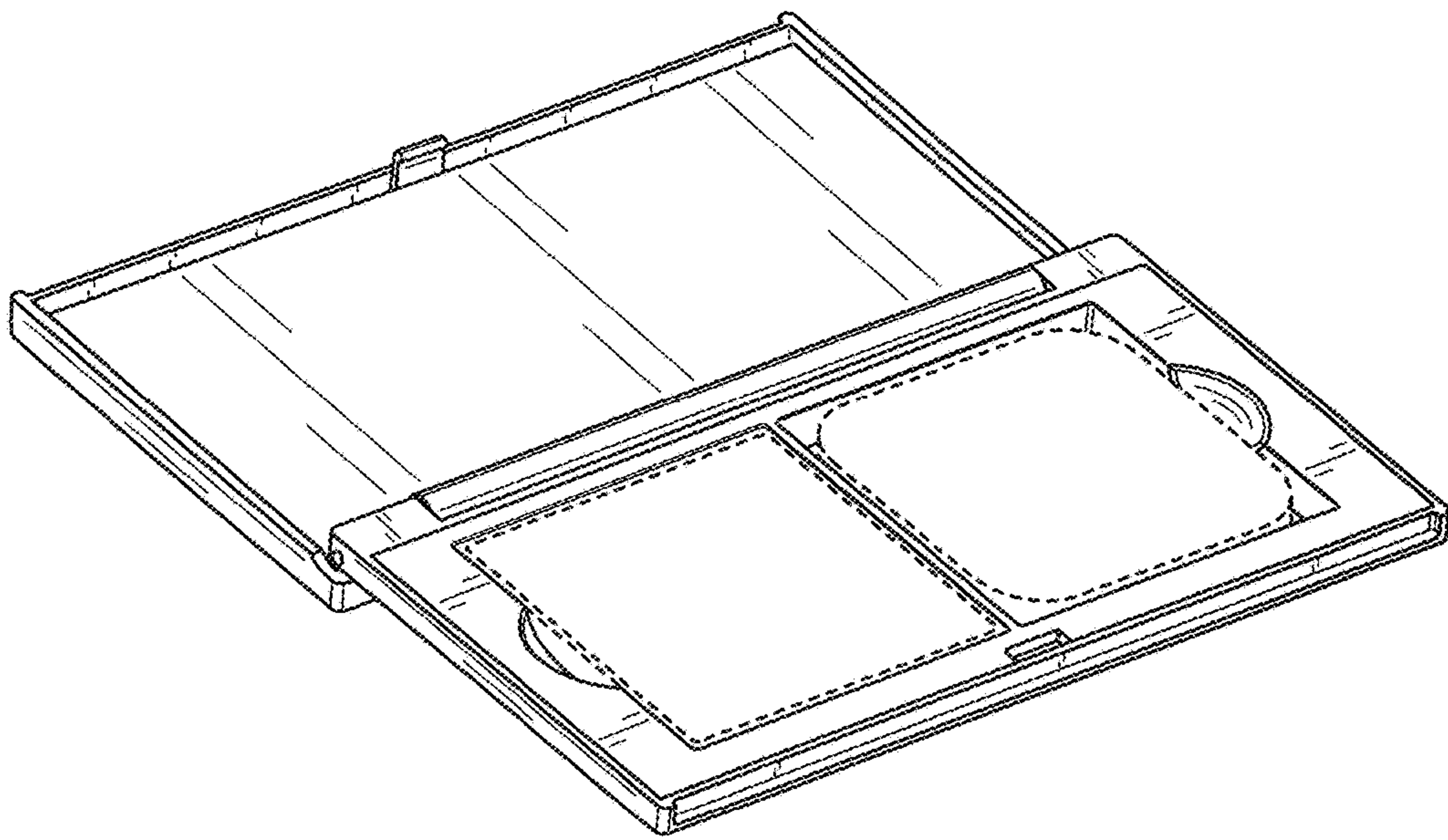


FIG. 17

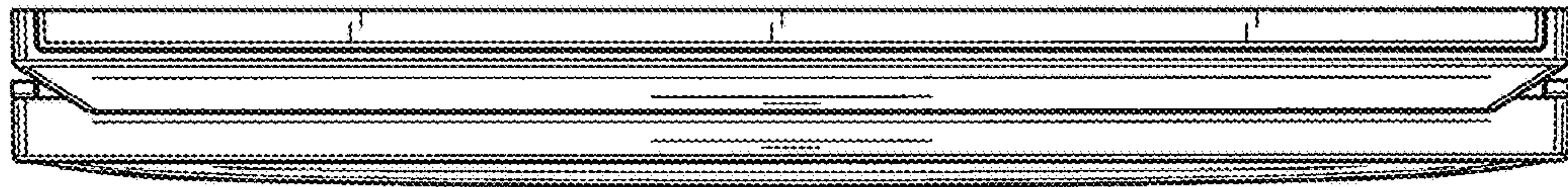


FIG. 18

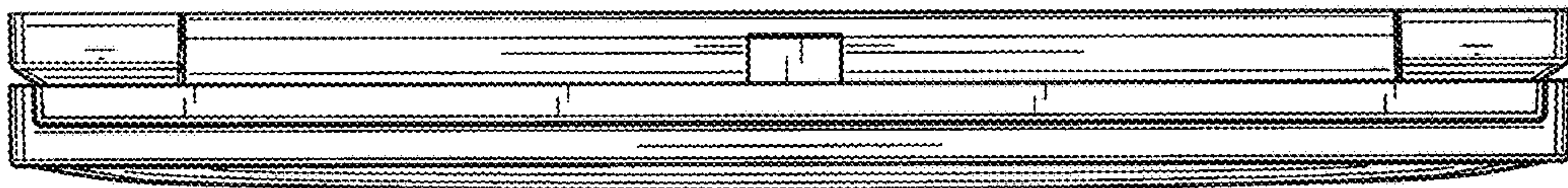


FIG. 19

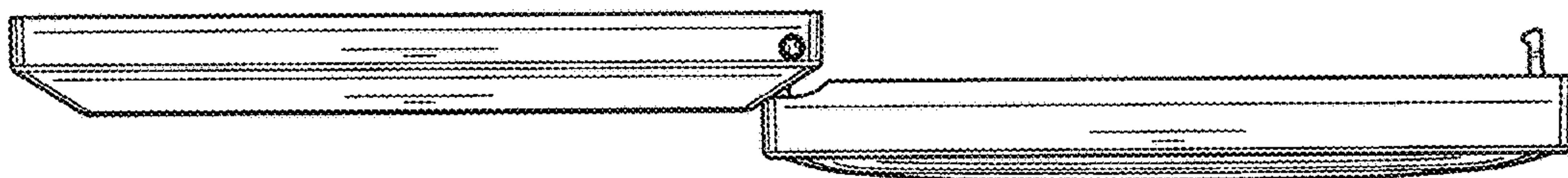


FIG. 20

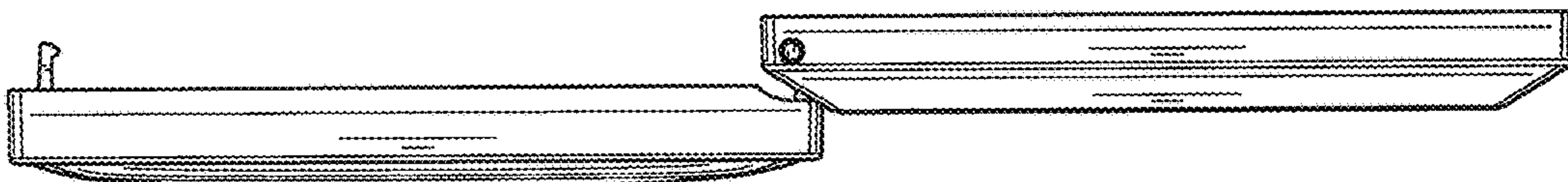


FIG. 21

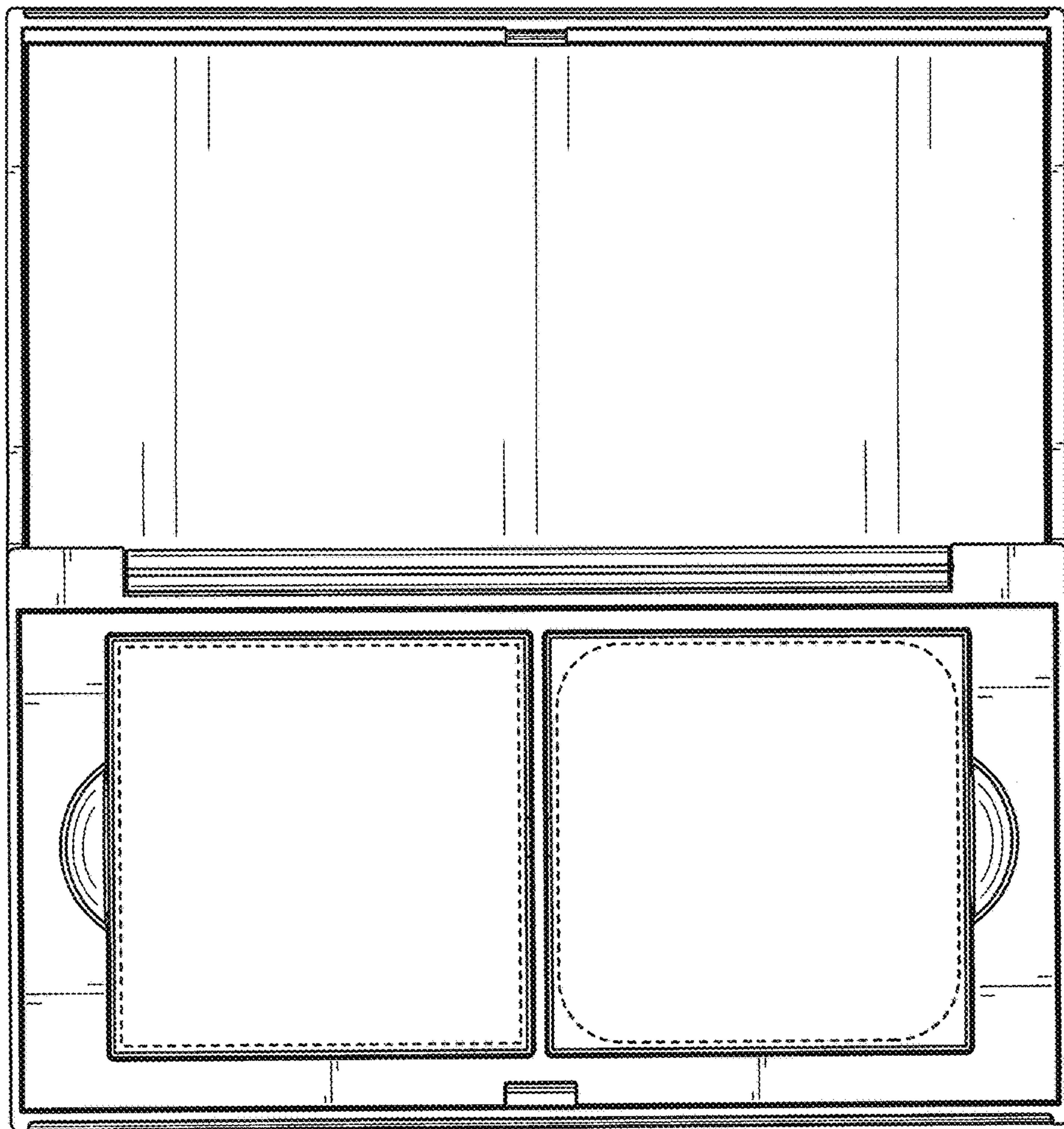


FIG. 22

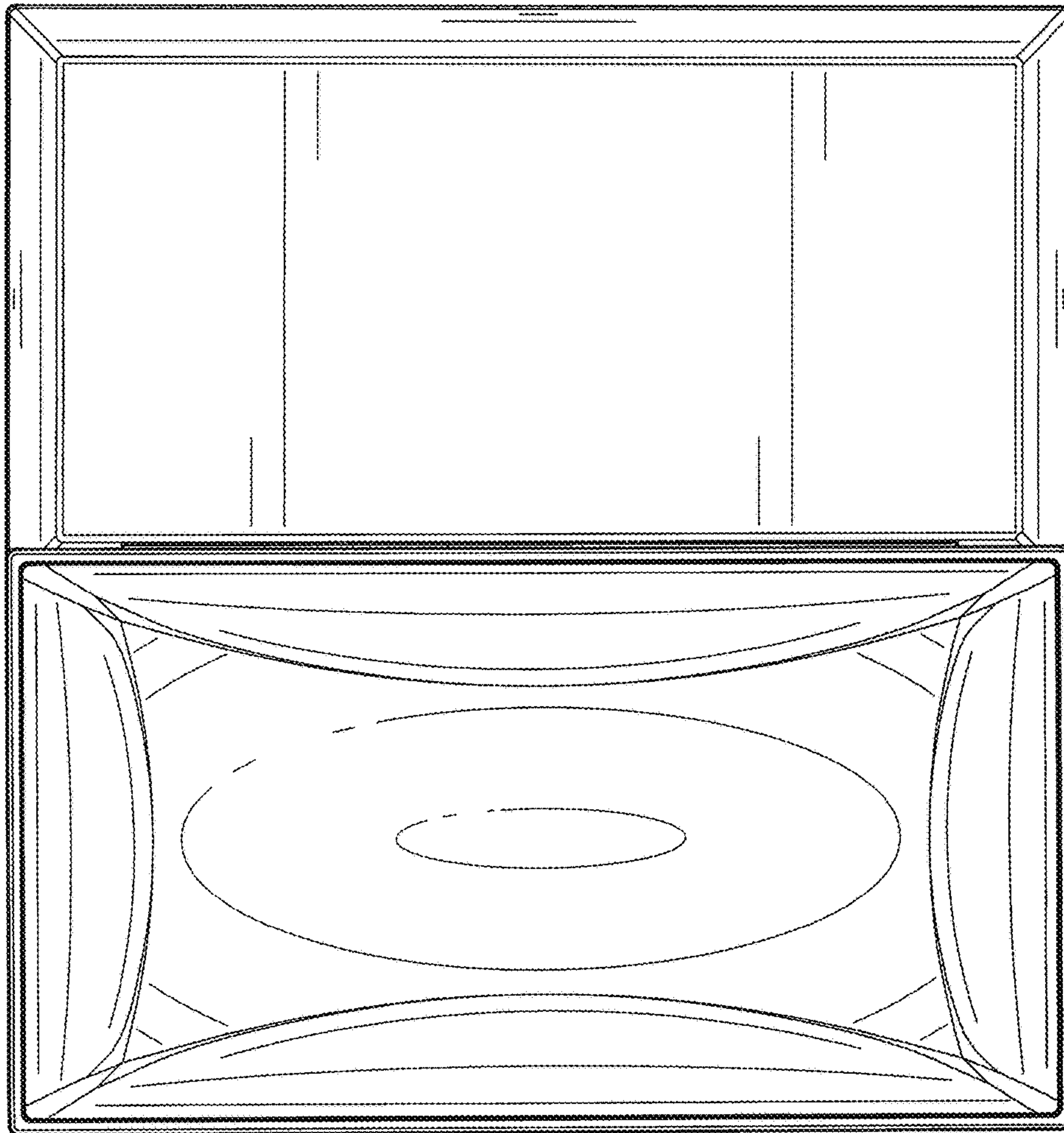


FIG. 23

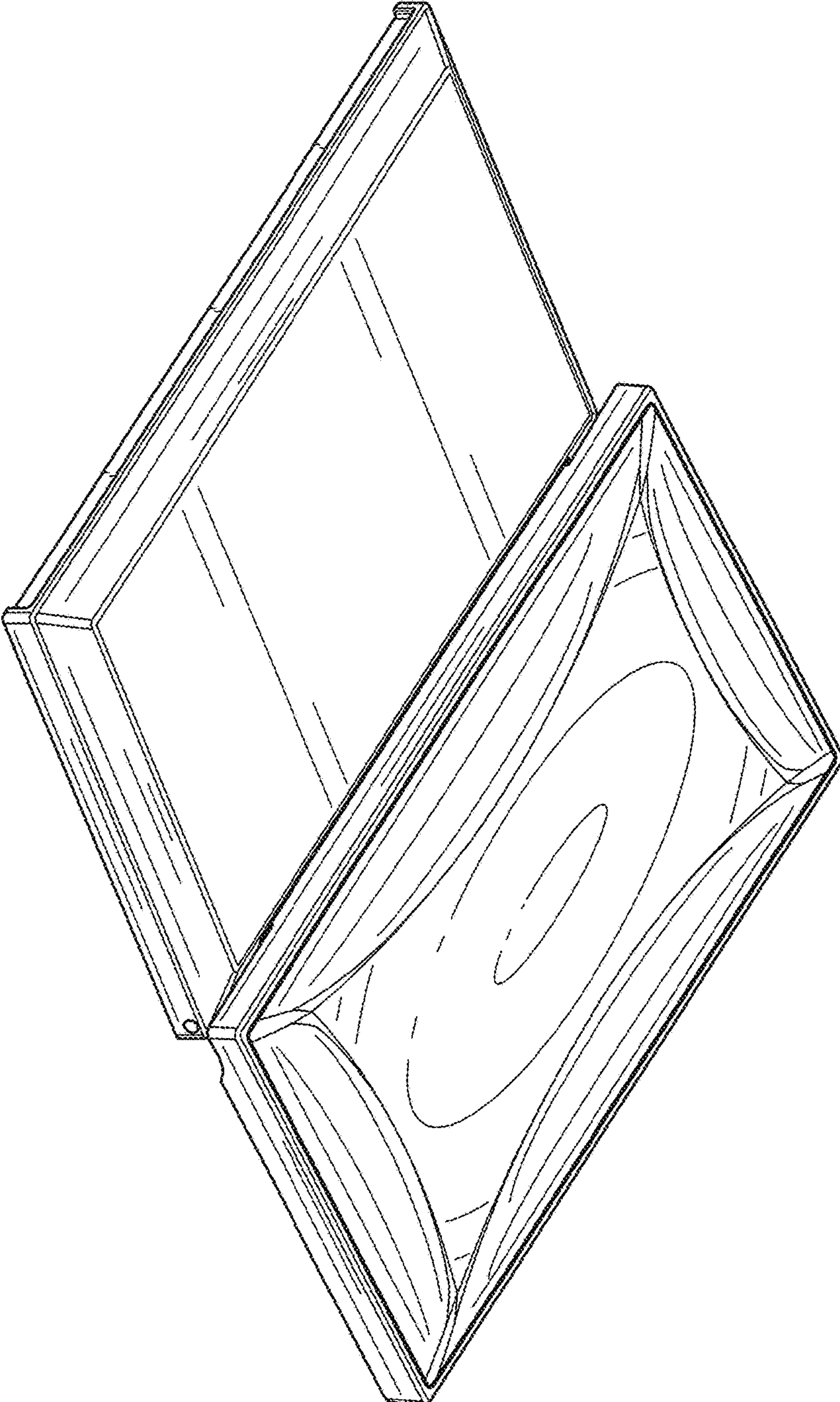


FIG. 24

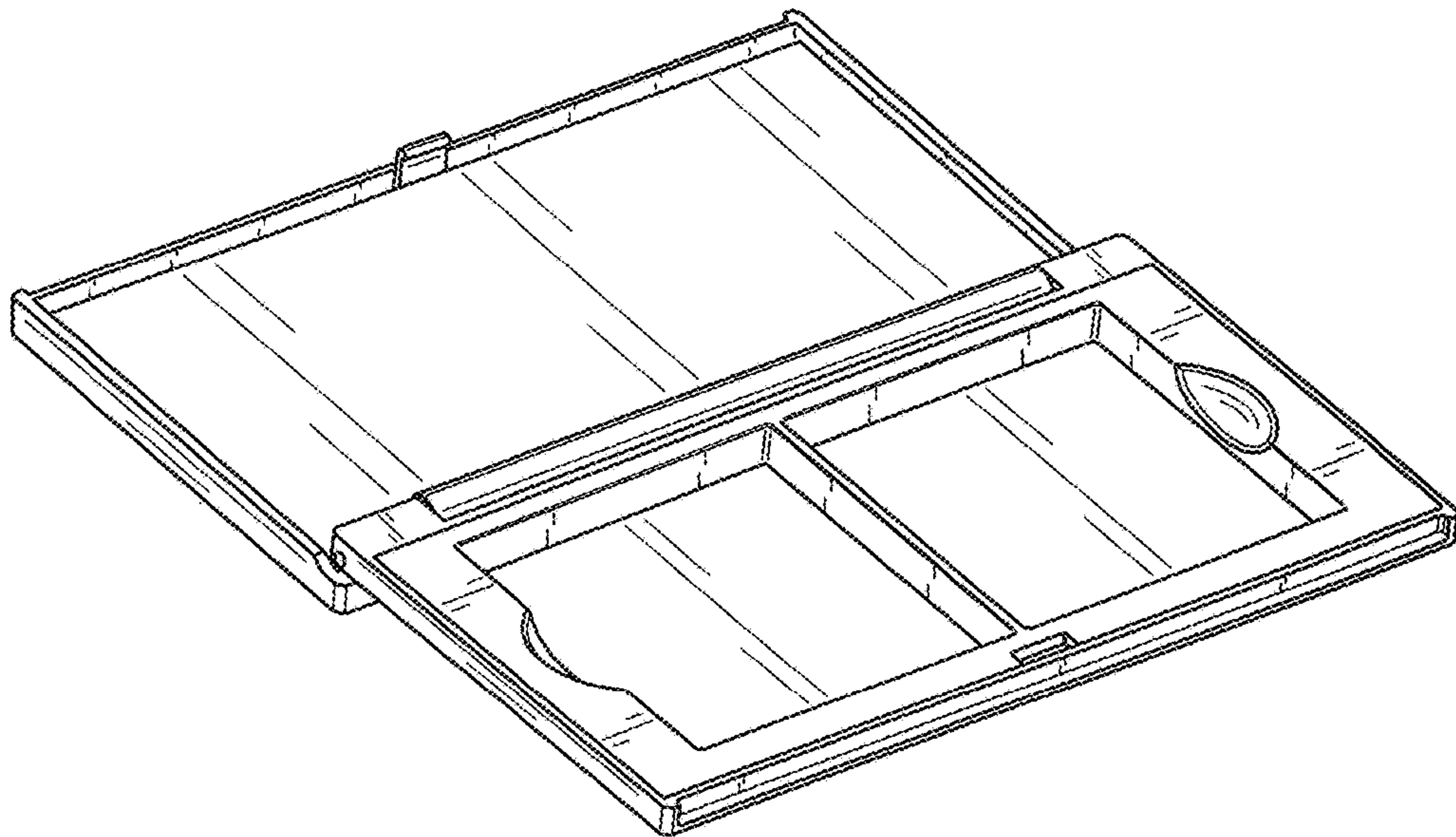


FIG. 25

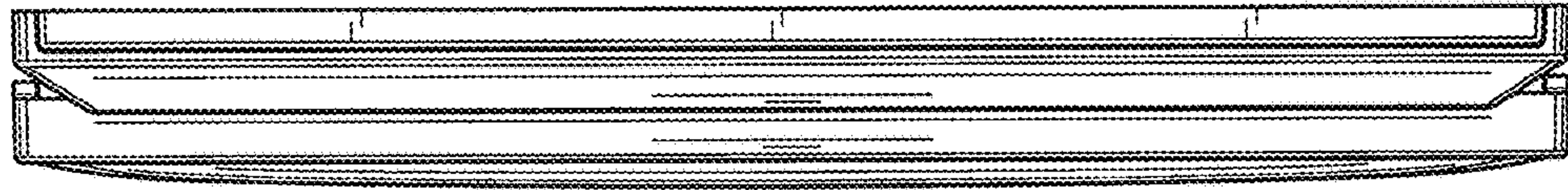


FIG. 26

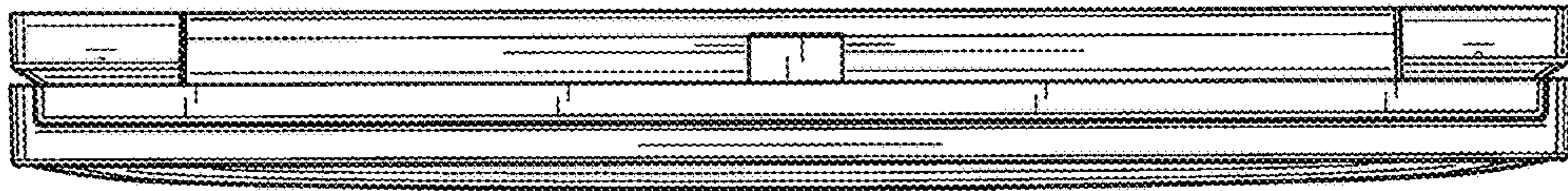


FIG. 27

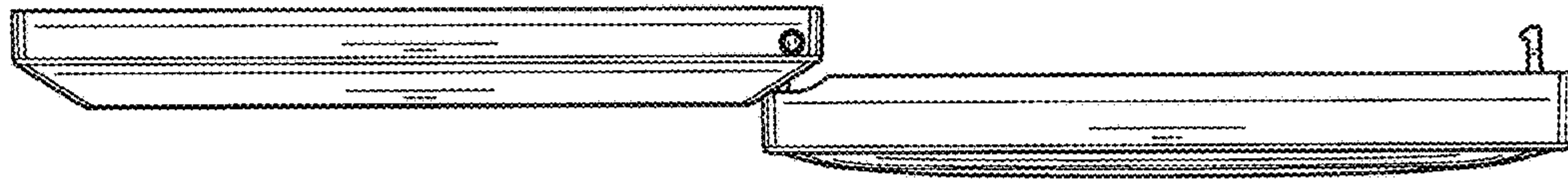


FIG. 28

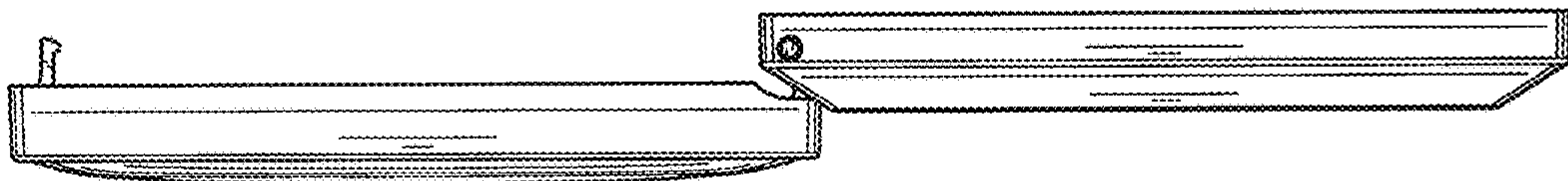


FIG. 29

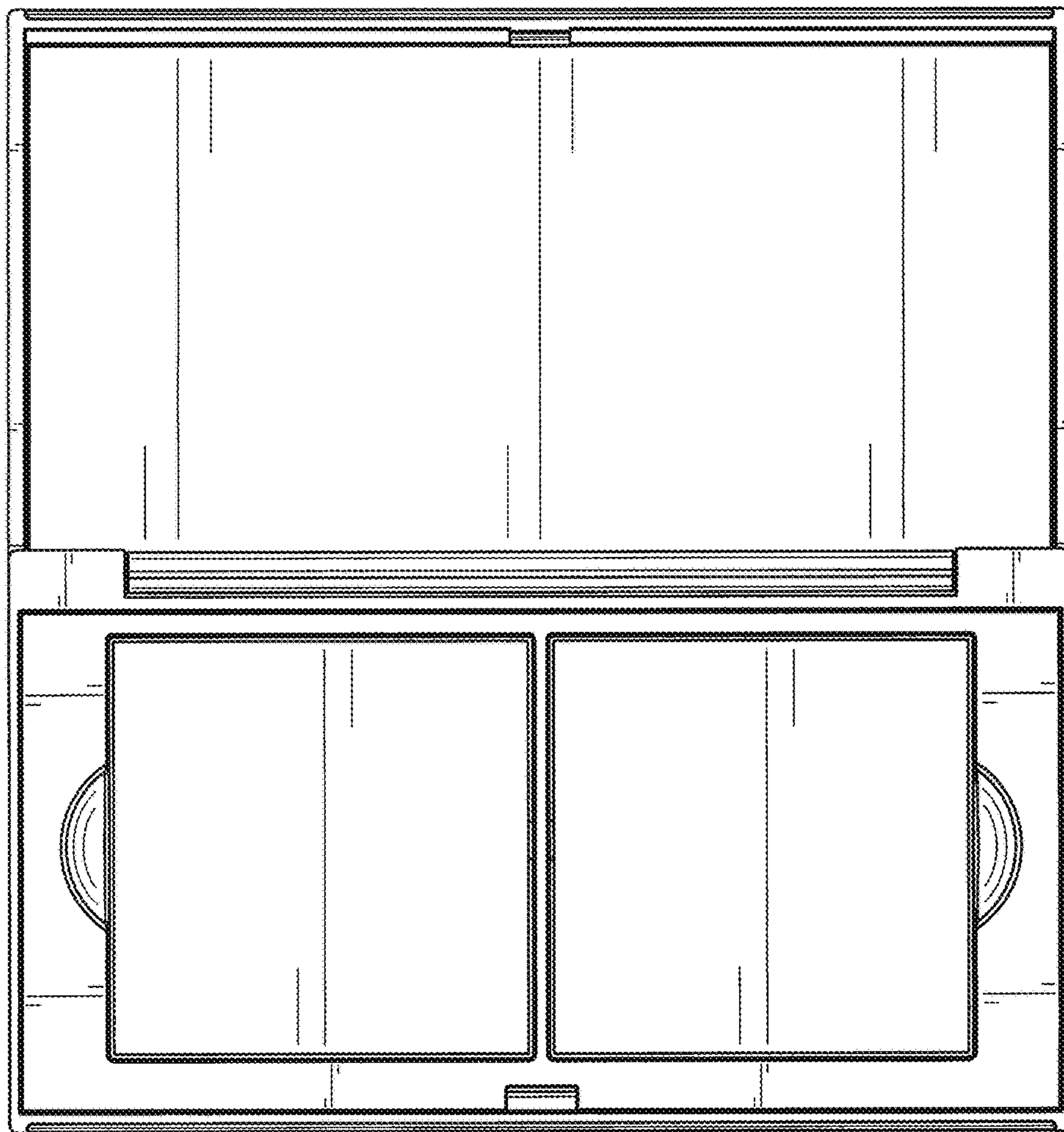


FIG. 30

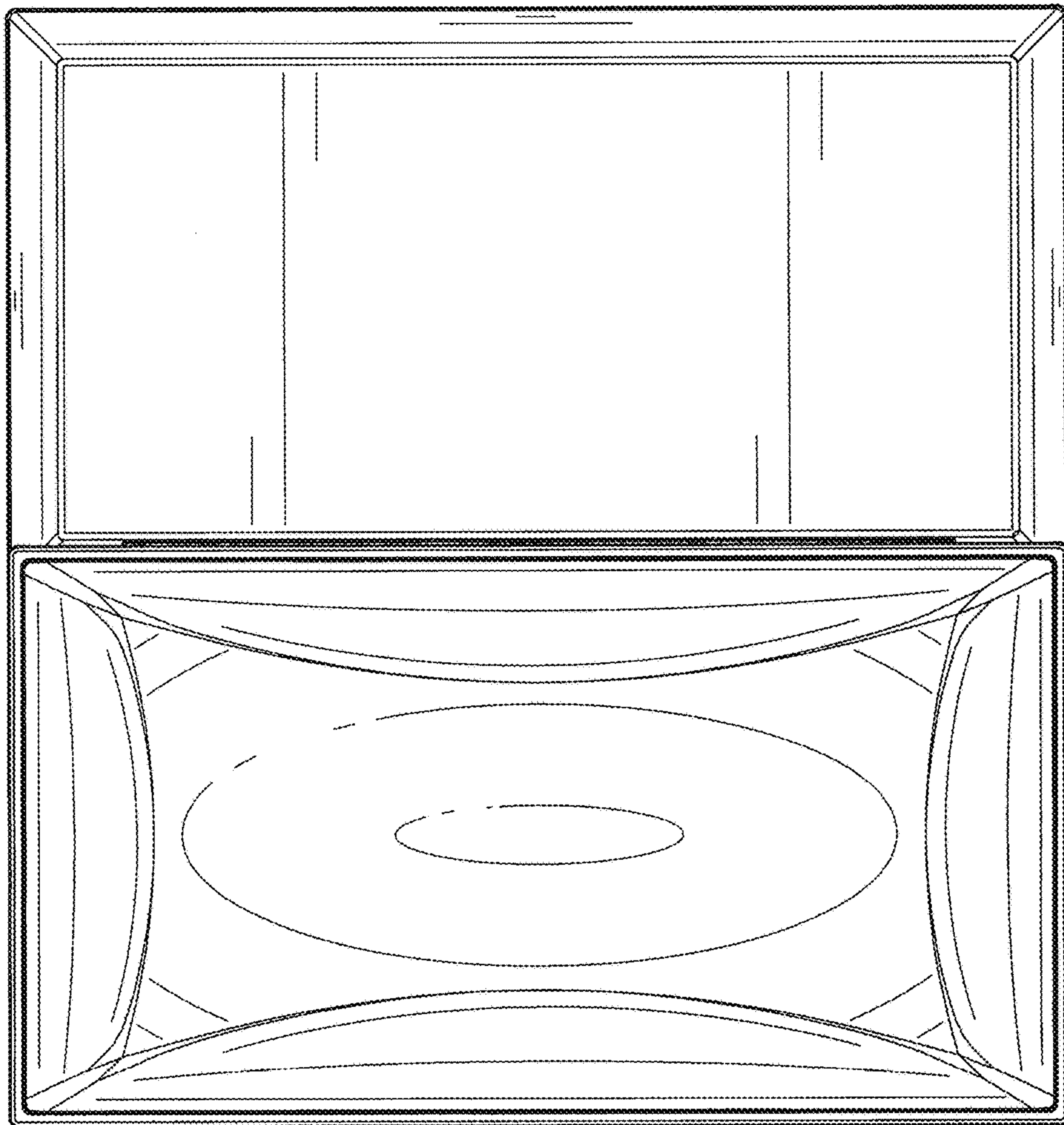


FIG. 31

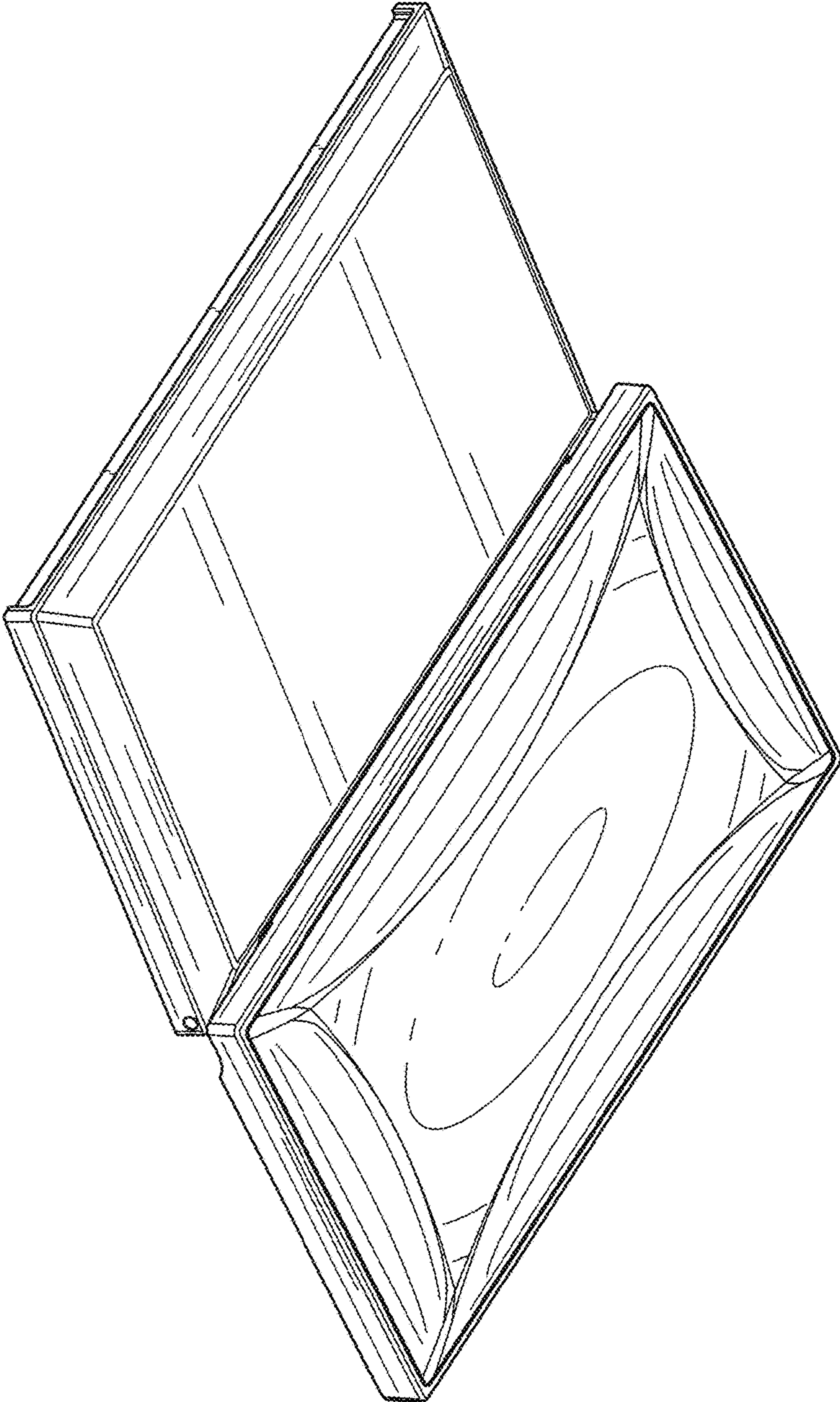


FIG. 32