



US00D843657S

(12) **United States Design Patent**  
**Khubani**

(10) **Patent No.:** **US D843,657 S**  
(45) **Date of Patent:** **\*\* Mar. 19, 2019**

- (54) **RAZOR**
- (71) Applicant: **DaVinci II CSJ, LLC**, Fairfield, NJ (US)
- (72) Inventor: **Ajit Khubani**, Saddle River, NJ (US)
- (73) Assignee: **DaVinci II CSJ, LLC**, Fairfield, NJ (US)

- 2,424,260 A \* 7/1947 Testi ..... B26B 21/18  
30/65
- 2,548,959 A \* 4/1951 Eisenberg ..... B26B 21/18  
30/34.2
- 2,698,995 A \* 1/1955 Anastasia ..... B26B 21/32  
30/34.2
- 2,839,224 A \* 6/1958 Lipka ..... B26B 21/446  
222/191
- 2,952,911 A \* 9/1960 Shnitzler ..... B26B 21/32  
30/526
- 3,233,322 A \* 2/1966 Sparagi ..... B26B 21/185  
30/41.8

(\*\*) Term: **15 Years**

(Continued)

(21) Appl. No.: **29/615,041**

(22) Filed: **Aug. 25, 2017**

(51) **LOC (11) Cl.** ..... **28-03**

(52) **U.S. Cl.**  
USPC ..... **D28/46**

(58) **Field of Classification Search**  
USPC ..... D28/46-48  
CPC ..... B26B 21/52-21/528; B26B 21/14-21/38;  
B26B 21/08; B26B 21/00; B26B  
21/40-21/60

See application file for complete search history.

(56) **References Cited**

**U.S. PATENT DOCUMENTS**

- 1,169,637 A \* 1/1916 Grove ..... B26B 21/446  
30/286
- 1,419,187 A \* 6/1922 Wilson ..... B26B 21/42  
30/31
- 1,869,860 A \* 8/1932 Natkiel ..... B26B 21/446  
132/289
- 1,871,010 A \* 8/1932 Robb ..... B26B 21/18  
30/346.61
- 2,143,276 A \* 1/1939 Martin ..... B26B 21/18  
30/346.61
- 2,299,868 A \* 10/1942 Younghusband ..... B26B 21/18  
30/41
- 2,389,470 A \* 11/1945 Traynham ..... B26B 21/18  
30/41

**OTHER PUBLICATIONS**

Amazon.com: Parker 86R Butterfly Open Double Edge Safety Razor & \*\*100 Shark Super Chrome Blades \*\*: Beauty, reviewed Jan. 2014, 8 pages.\*

(Continued)

*Primary Examiner* — Jennifer Rivard  
(74) *Attorney, Agent, or Firm* — Cooper & Dunham, LLP

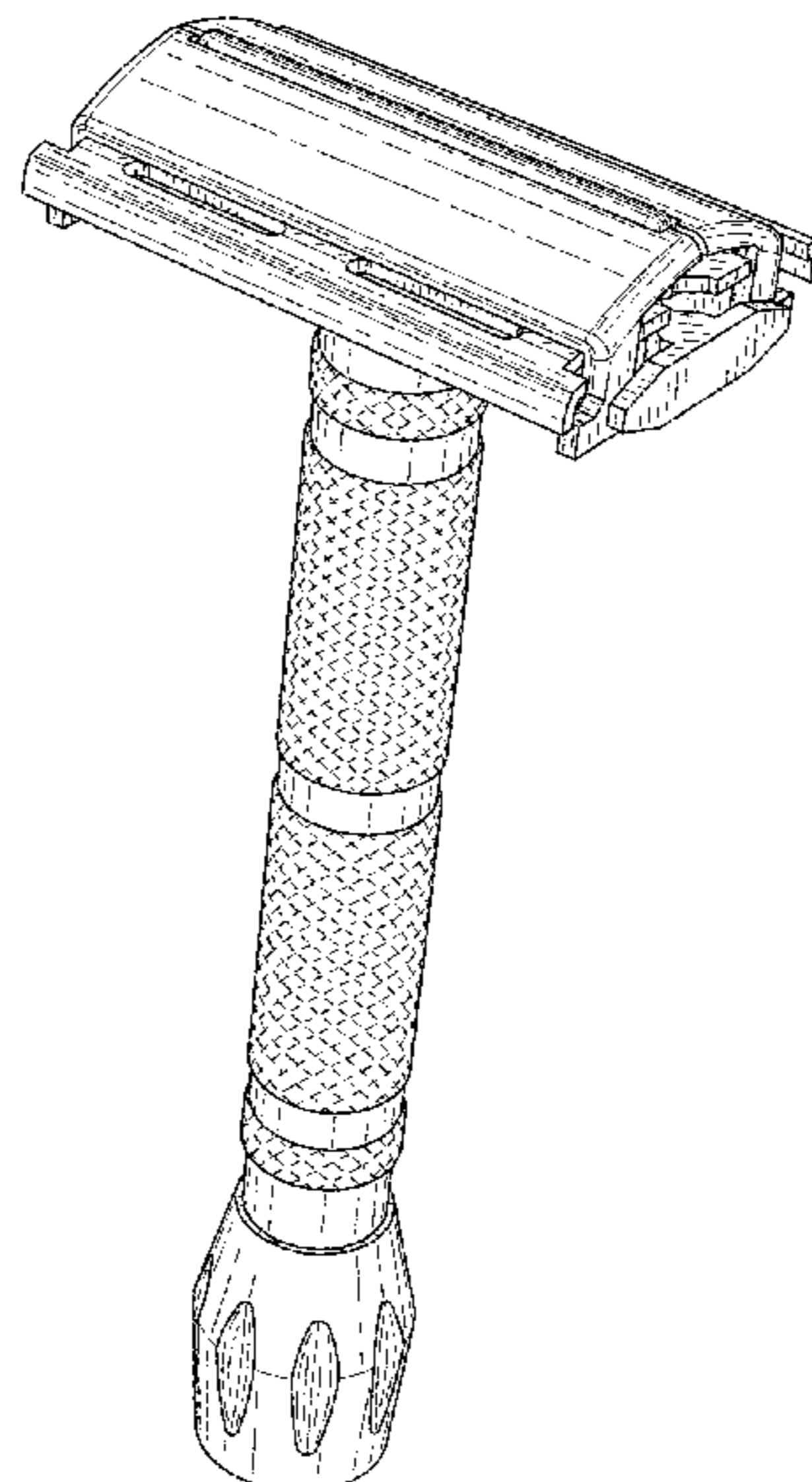
(57) **CLAIM**

The ornamental design for a razor, as shown and described.

**DESCRIPTION**

FIG. 1 is a front perspective view of a razor in accordance with the present design;  
FIG. 2 is a front view thereof;  
FIG. 3 is a back view thereof;  
FIG. 4 is a left side view thereof;  
FIG. 5 is a right side view thereof;  
FIG. 6 is a top view thereof; and,  
FIG. 7 is a bottom view thereof.  
The broken lines represent unclaimed portions of the claimed design and are included for illustrative purposes only and form no part of the claimed design. The shading represents contour of the claimed design.

**1 Claim, 4 Drawing Sheets**



(56)

**References Cited**

U.S. PATENT DOCUMENTS

4,125,939 A \* 11/1978 Brothers ..... B26B 21/22  
 30/50  
 D311,784 S \* 10/1990 Schwartz ..... D28/48  
 6,792,682 B2 \* 9/2004 Follo ..... B26B 21/222  
 30/50  
 D656,677 S \* 3/2012 Cavazos Jimenez ..... D28/48  
 D700,996 S \* 3/2014 Lee ..... D28/48  
 D724,269 S \* 3/2015 Szczepanowski ..... D28/48  
 D724,270 S \* 3/2015 Sims ..... D28/48  
 D765,912 S \* 9/2016 Thi Minh Vinh ..... D28/48  
 9,505,142 B2 \* 11/2016 Nordstrom ..... B26B 21/18  
 D788,367 S \* 5/2017 Nordstrom ..... D28/47  
 9,840,014 B2 \* 12/2017 Gilor ..... B26B 21/18  
 D815,776 S \* 4/2018 Ngo ..... D28/48  
 9,931,755 B2 \* 4/2018 Gilor ..... B26B 21/443  
 2015/0352737 A1 \* 12/2015 Hickam ..... B26B 21/521  
 30/70  
 2017/0264036 A1 \* 9/2017 Broemse ..... H01R 12/732  
 2017/0297212 A1 \* 10/2017 Nordstrom ..... B26B 21/521  
 2018/0065264 A1 \* 3/2018 Gilor ..... B26B 21/443

OTHER PUBLICATIONS

Amazon.com: Van Ness Vander Tradition Safety Raz Crt: Beauty,  
 reviewed Nov. 2016, 7 pages.\*

Vikings Blade The Chieftain image, www.amazon.com, 1 page,  
 downloaded Jun. 2018.\*

\* cited by examiner

FIG. 1

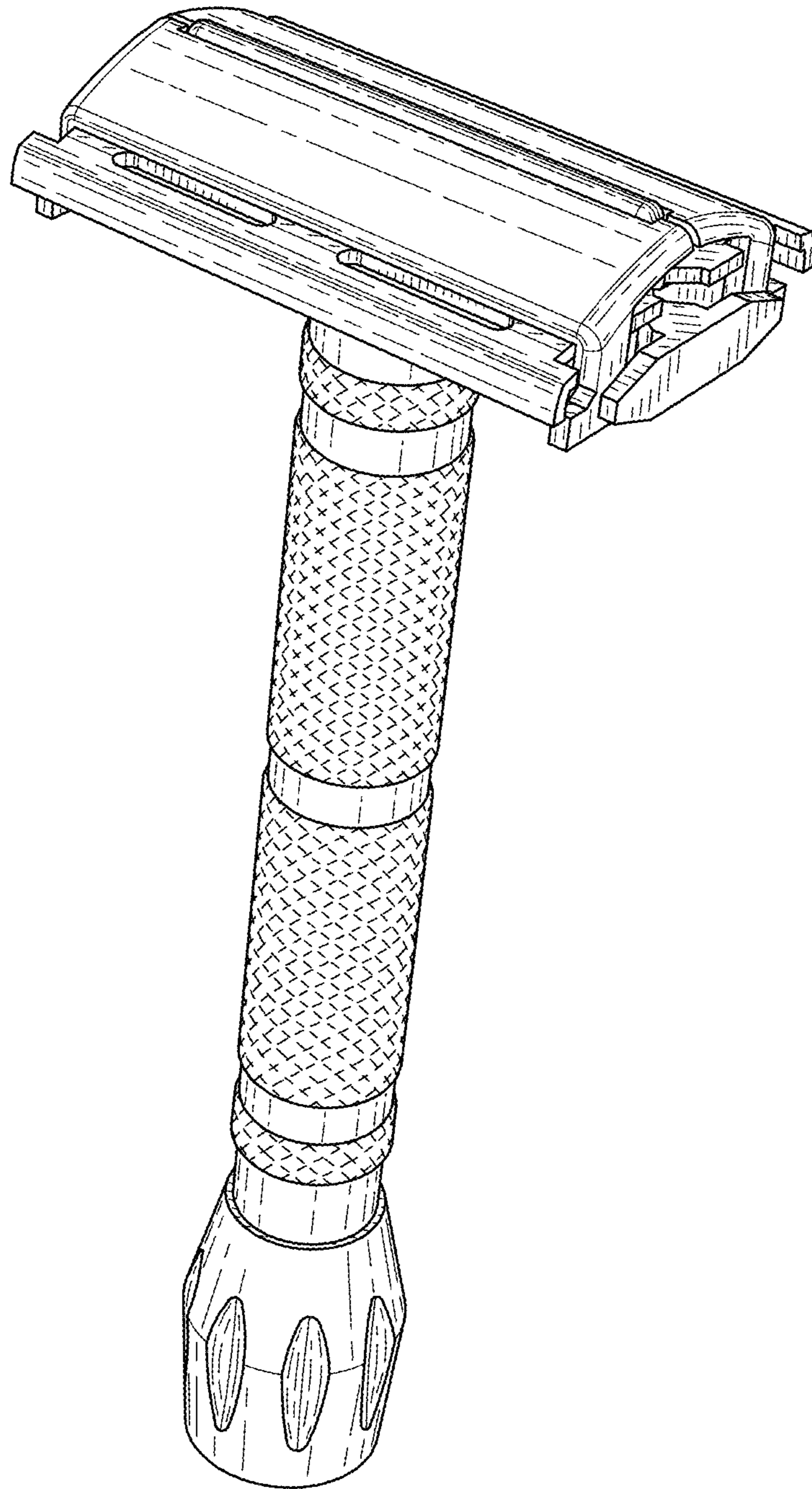


FIG. 2

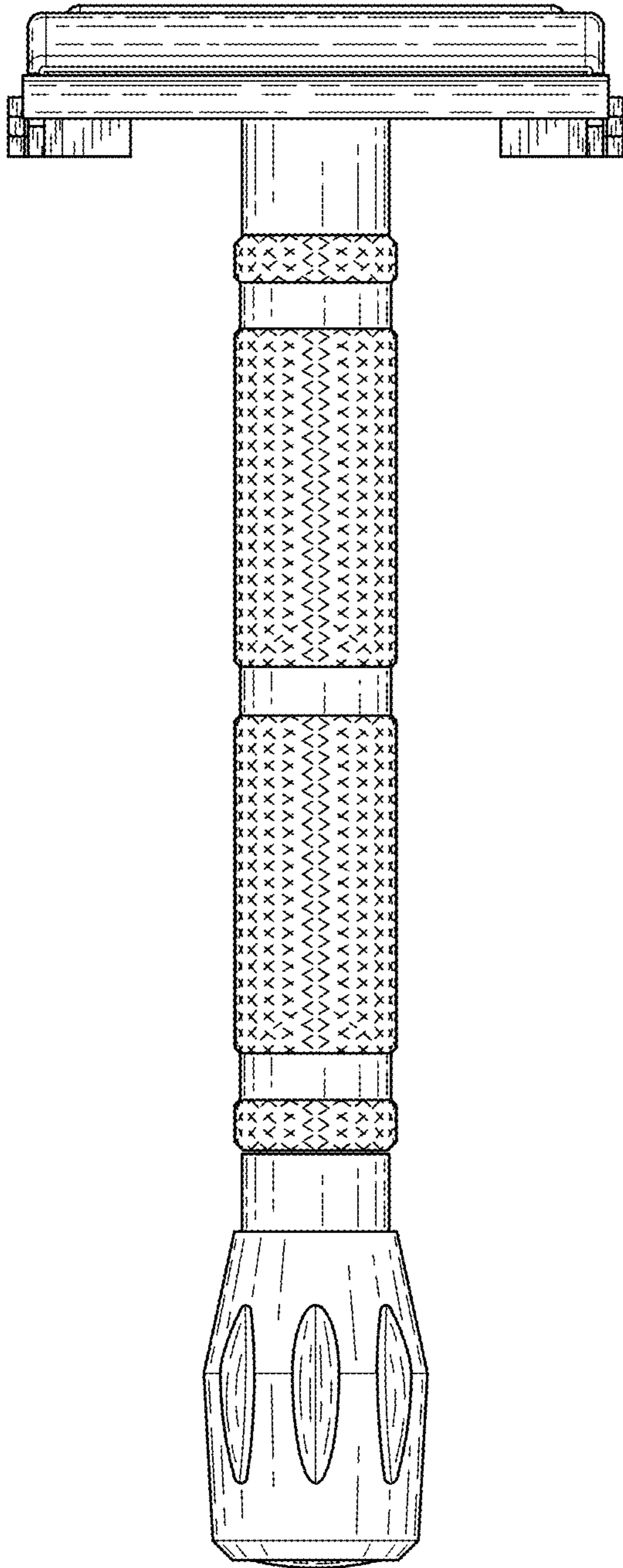


FIG. 3

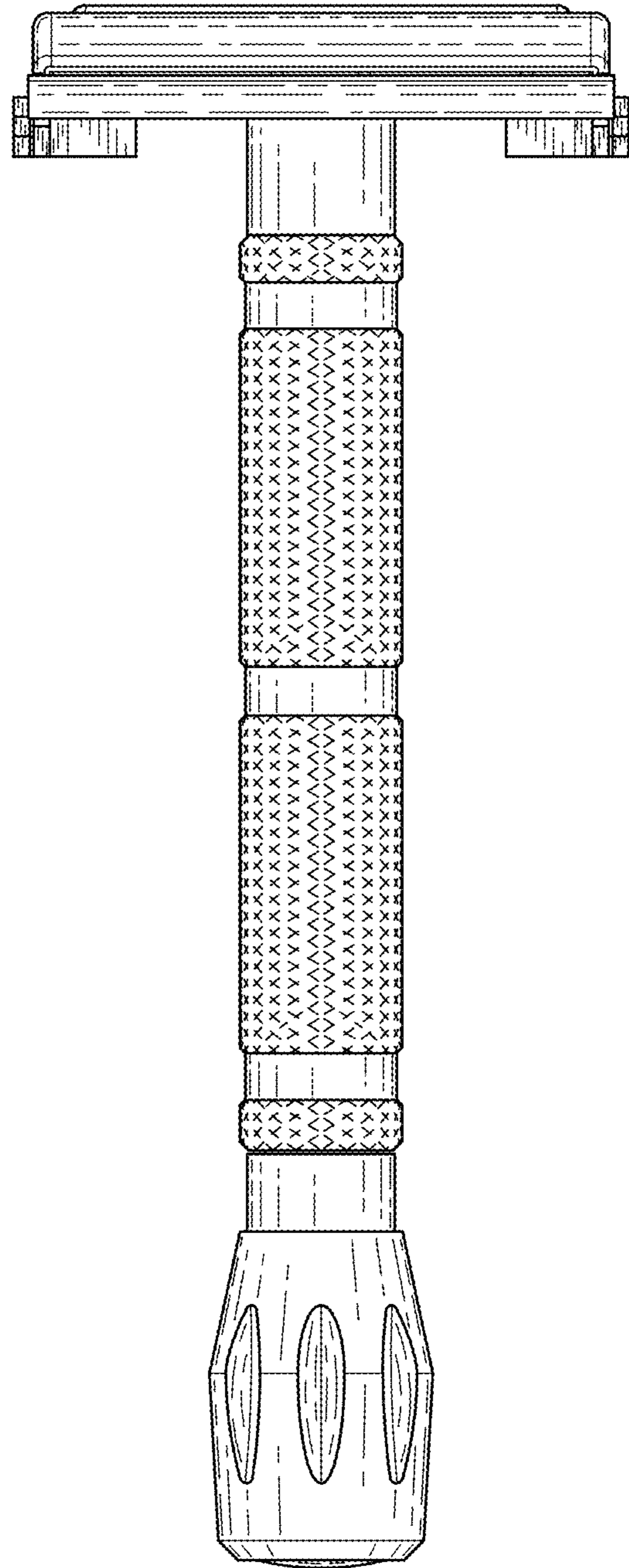


FIG. 4

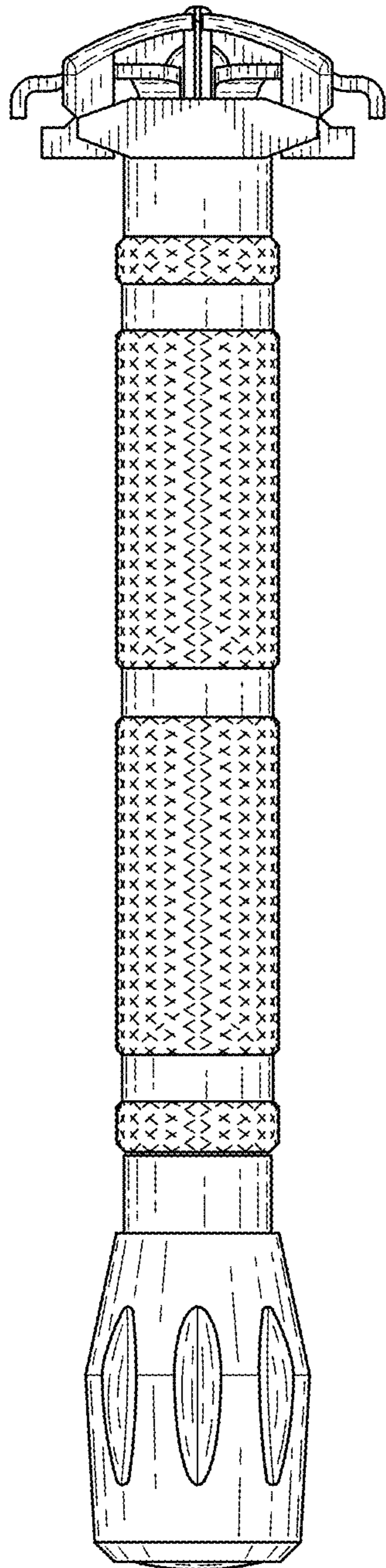
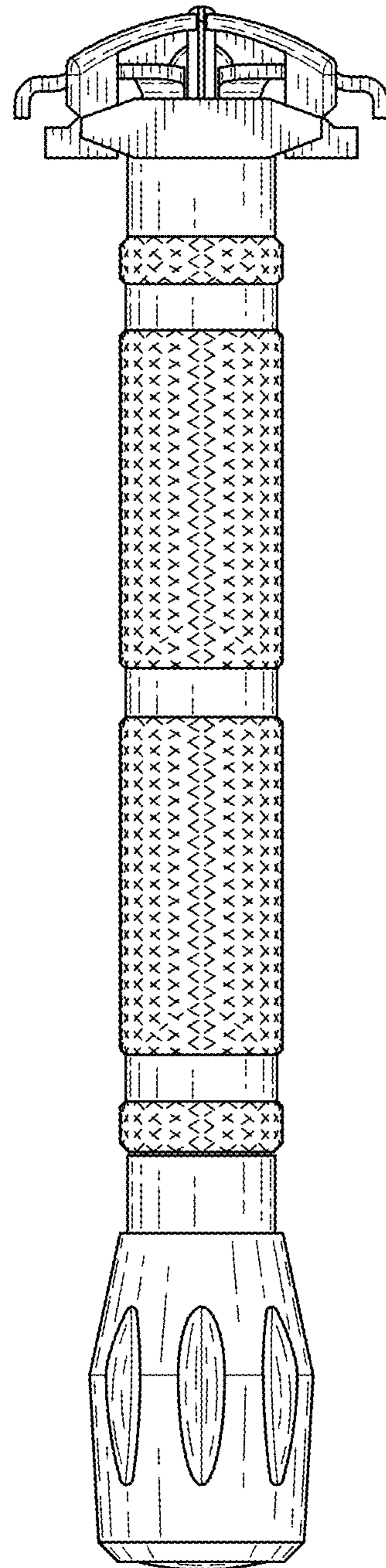
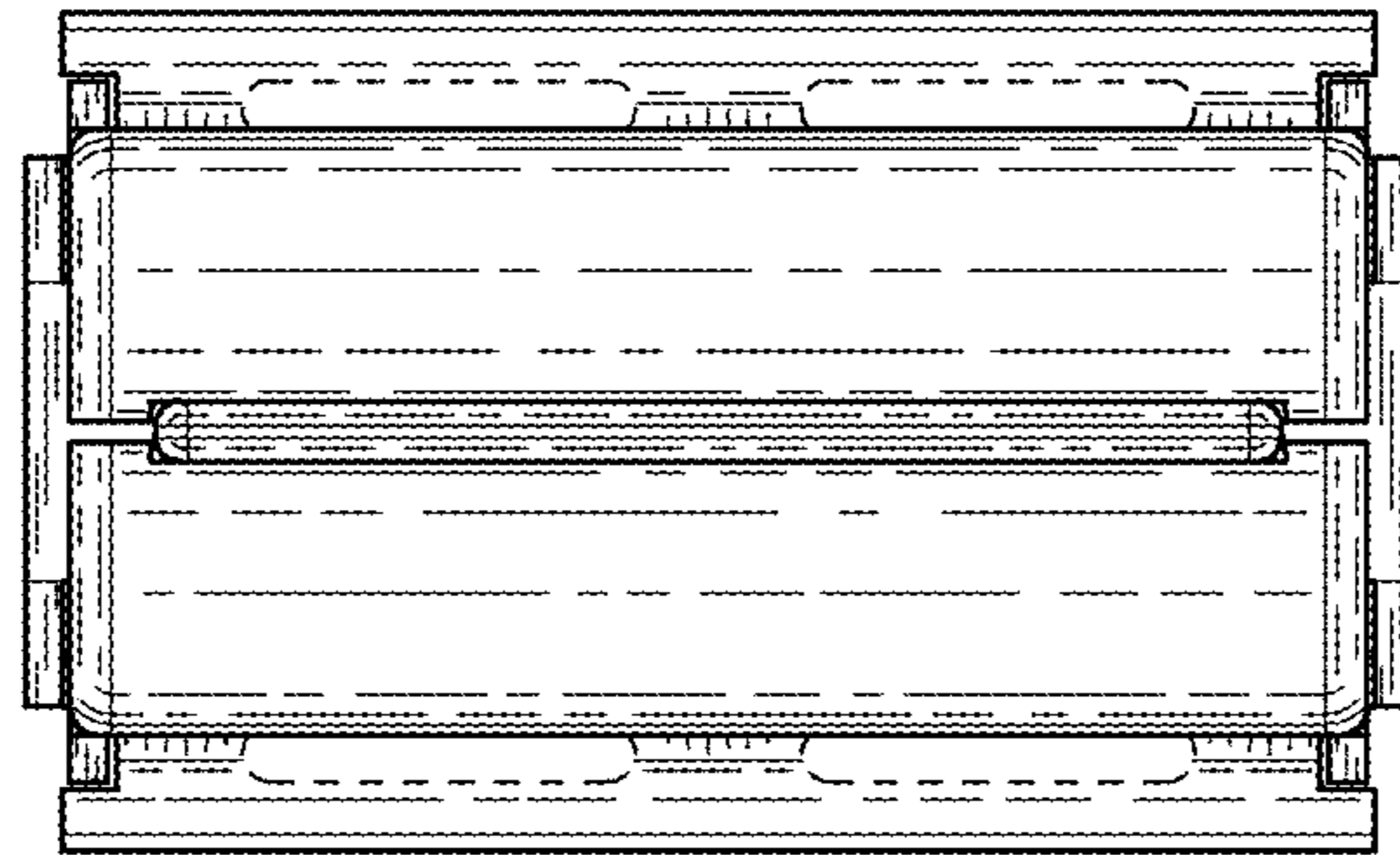


FIG. 5



*FIG. 6*



*FIG. 7*

