



US00D843655S

(12) **United States Design Patent** (10) **Patent No.:** **US D843,655 S**
Davis (45) **Date of Patent:** **** Mar. 19, 2019**

(54) **COMB BASE**
(71) Applicant: **Iron Armour, LLC**, Dallas, TX (US)
(72) Inventor: **Steven D. Davis**, Dallas, TX (US)
(73) Assignee: **Iron Armour, LLC**, Dallas, TX (US)
(**) Term: **15 Years**
(21) Appl. No.: **29/609,790**
(22) Filed: **Jul. 5, 2017**

2,920,334 A 1/1960 Keller
3,057,367 A 10/1962 Langley
3,500,477 A 3/1970 Meszaros
3,608,565 A 9/1971 Ensign
3,928,871 A 12/1975 Wall
3,960,155 A 6/1976 Wall
D270,611 S * 9/1983 Check D28/21
4,620,374 A 11/1986 Patterson
4,751,747 A 6/1988 Banks et al.
4,766,914 A 8/1988 Briggs
D301,769 S * 6/1989 Chou D28/21
5,564,154 A 10/1996 Cohn, III
(Continued)

Related U.S. Application Data

(63) Continuation of application No. 14/930,320, filed on Nov. 2, 2015.
(51) **LOC (11) Cl.** **28-03**
(52) **U.S. Cl.**
USPC **D28/21**
(58) **Field of Classification Search**
USPC D28/7, 20-34; D32/49; D30/158, 159
CPC A45D 24/00; A45D 24/02; A45D 24/04;
A45D 24/06; A45D 24/08; A45D 24/10;
A45D 24/12; A45D 24/14; A45D 24/16;
A45D 24/18; A45D 24/20; A45D 24/22;
A45D 24/24; A45D 24/26; A45D 24/28;
A45D 24/30; A45D 24/32
See application file for complete search history.

OTHER PUBLICATIONS

<http://www.hai-elite.com/NEWHAIELITE/gloves.html>, 2009, 1 page.
<http://shop.ginalli.com/main.sc>, 2009, 1 page.
<http://www.maxiusbeauty.com/Tools.aspx>, 2009, 1 page.

Primary Examiner — Zenia I Bennett

(57) **CLAIM**

The ornamental design for a comb base, as shown and described.

DESCRIPTION

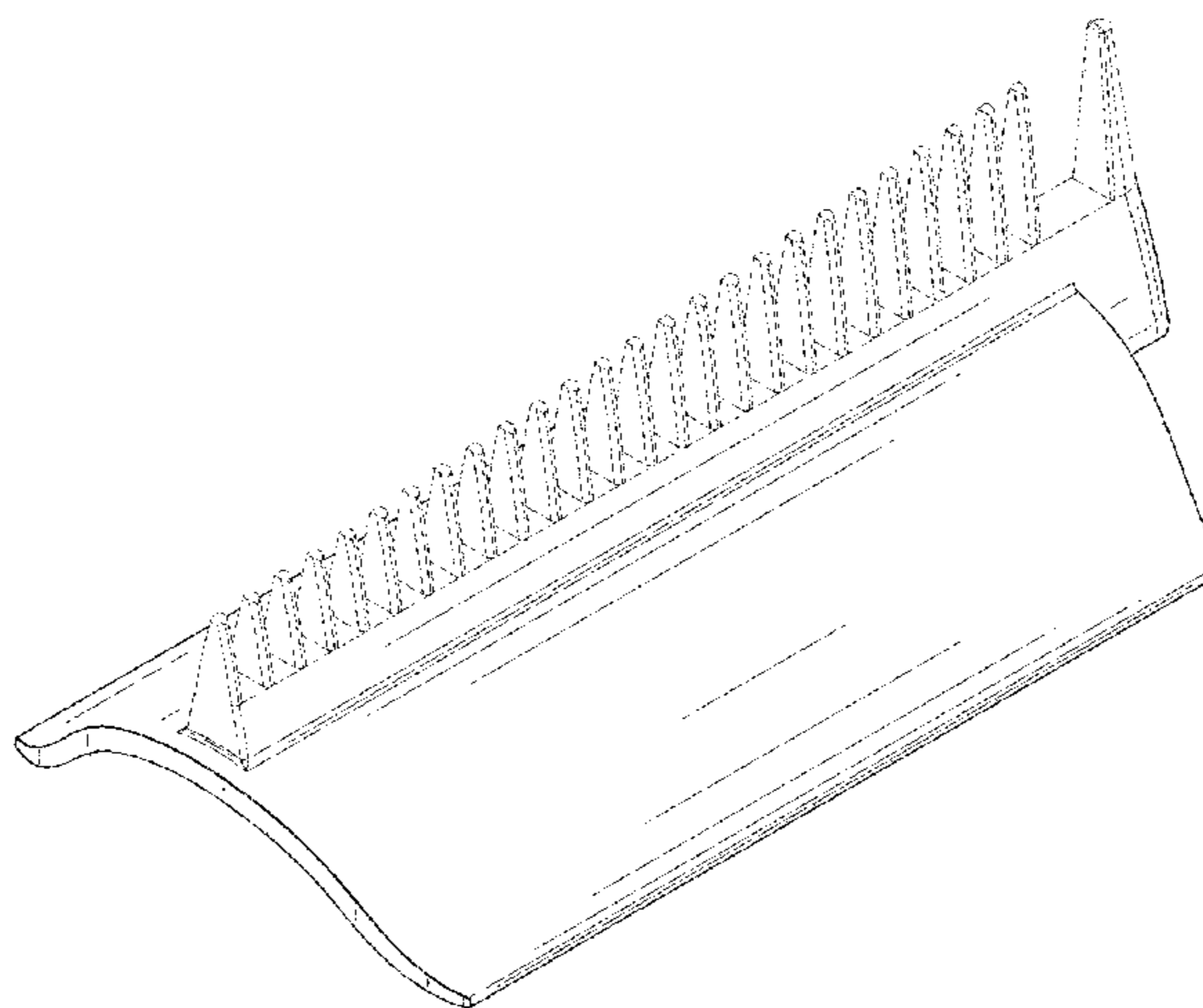
FIG. 1 is a front isometric view of the comb base embodying our new design;
FIG. 2 is a front elevation view of the comb base;
FIG. 3 is a rear elevation view of the comb base;
FIG. 4 is a right side view of the comb base;
FIG. 5 is a left side view of the comb base;
FIG. 6 is a top view of the comb base;
FIG. 7 is a bottom view of the comb base;
FIG. 8 is a bottom perspective view of the comb base; and,
FIG. 9 is an environmental view of the comb base.
The broken lines shown in the drawings represent portions of the comb base or environment that form no part of the claimed design.

(56) **References Cited**

U.S. PATENT DOCUMENTS

1,486,006 A 3/1924 Blom
2,041,262 A 5/1936 Ness
2,199,282 A 4/1940 Condron
2,411,252 A 11/1946 Finman
2,467,975 A 4/1949 Hollen
2,526,128 A 10/1950 Grant
2,568,898 A 9/1951 Phillips et al.
2,608,975 A 9/1952 Shannon
2,821,203 A 1/1958 Kesterson et al.

1 Claim, 8 Drawing Sheets



(56)

References Cited

U.S. PATENT DOCUMENTS

5,720,048	A	2/1998	Perez	
D425,244	S *	5/2000	Smith	D28/18
6,189,150	B1	2/2001	Jones-Roberson	
6,206,010	B1	3/2001	Malki	
6,260,203	B1	7/2001	Battle	
D524,489	S	7/2006	Scott	
D559,444	S *	1/2008	Chudzik	D28/21
D561,393	S *	2/2008	Burchakchi	D28/21
7,346,955	B2	3/2008	De Laforcade	
7,401,612	B2	7/2008	De Laforcade	
D609,399	S *	2/2010	McCarthy	D28/21
D648,072	S *	11/2011	Freeman	D28/21
D706,996	S *	6/2014	Halderman	D28/21
D748,855	S *	2/2016	Hightower	A45D 24/00 D28/21
D770,093	S *	10/2016	Smith	D28/21
2003/0079273	A1	5/2003	Genkins	
2004/0182408	A1	9/2004	De LaForcade	
2004/0187182	A1	9/2004	Carraway	
2004/0261810	A1	12/2004	Gifford	
2006/0048259	A1	3/2006	Keppler et al.	
2006/0090771	A1	3/2006	Ramet	
2006/0218696	A1	10/2006	Billups	
2006/0230487	A1	10/2006	Salomon	
2006/0253952	A1	11/2006	Caudillo	
2006/0272116	A1	12/2006	Thompson	
2007/0226874	A1	10/2007	Cain	
2008/0313788	A1	12/2008	Yan	
2009/0145452	A1	6/2009	Anderson et al.	
2016/0324289	A1	11/2016	Dixon	
2017/0119125	A1	5/2017	Davis	

* cited by examiner

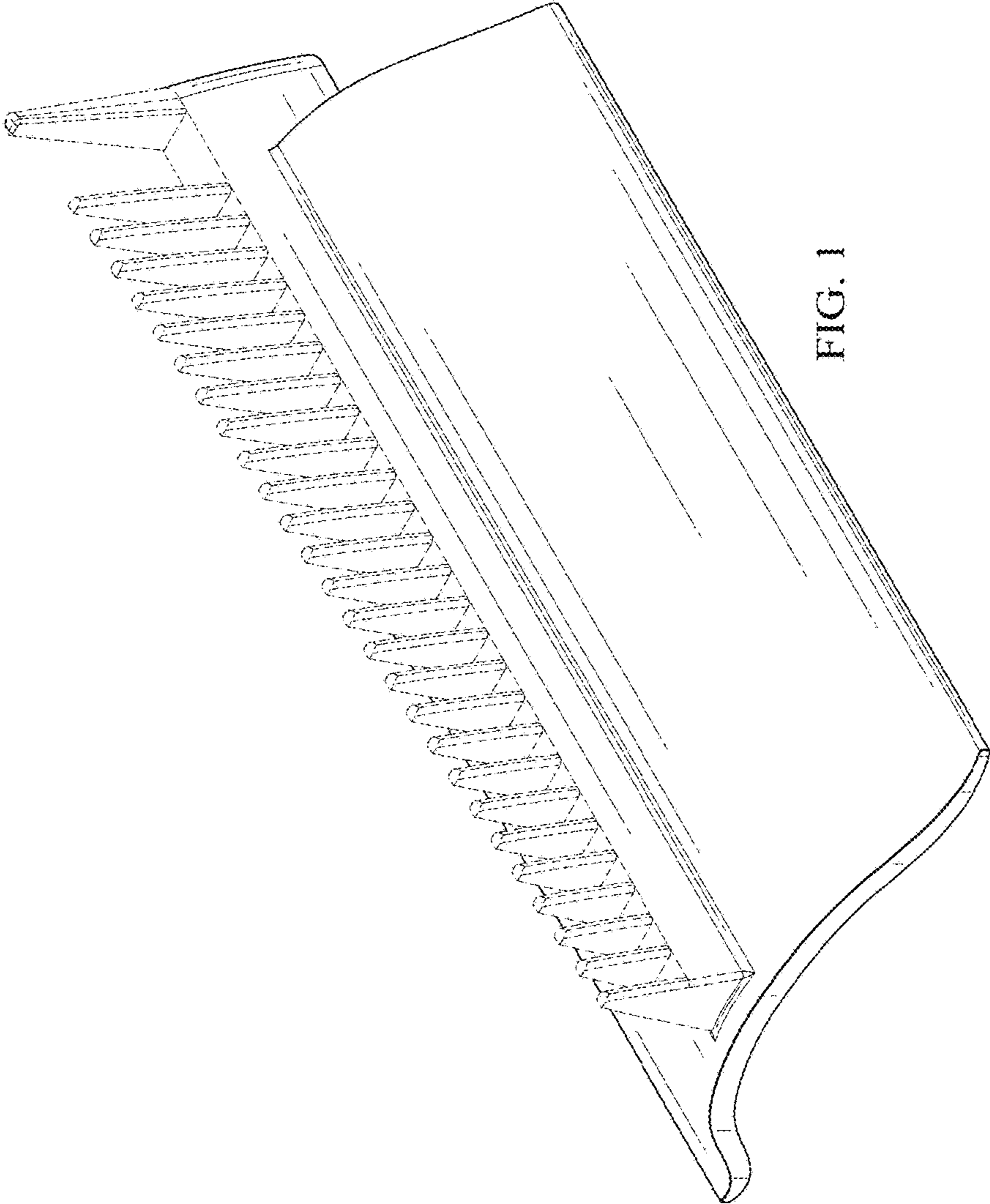


FIG. 1

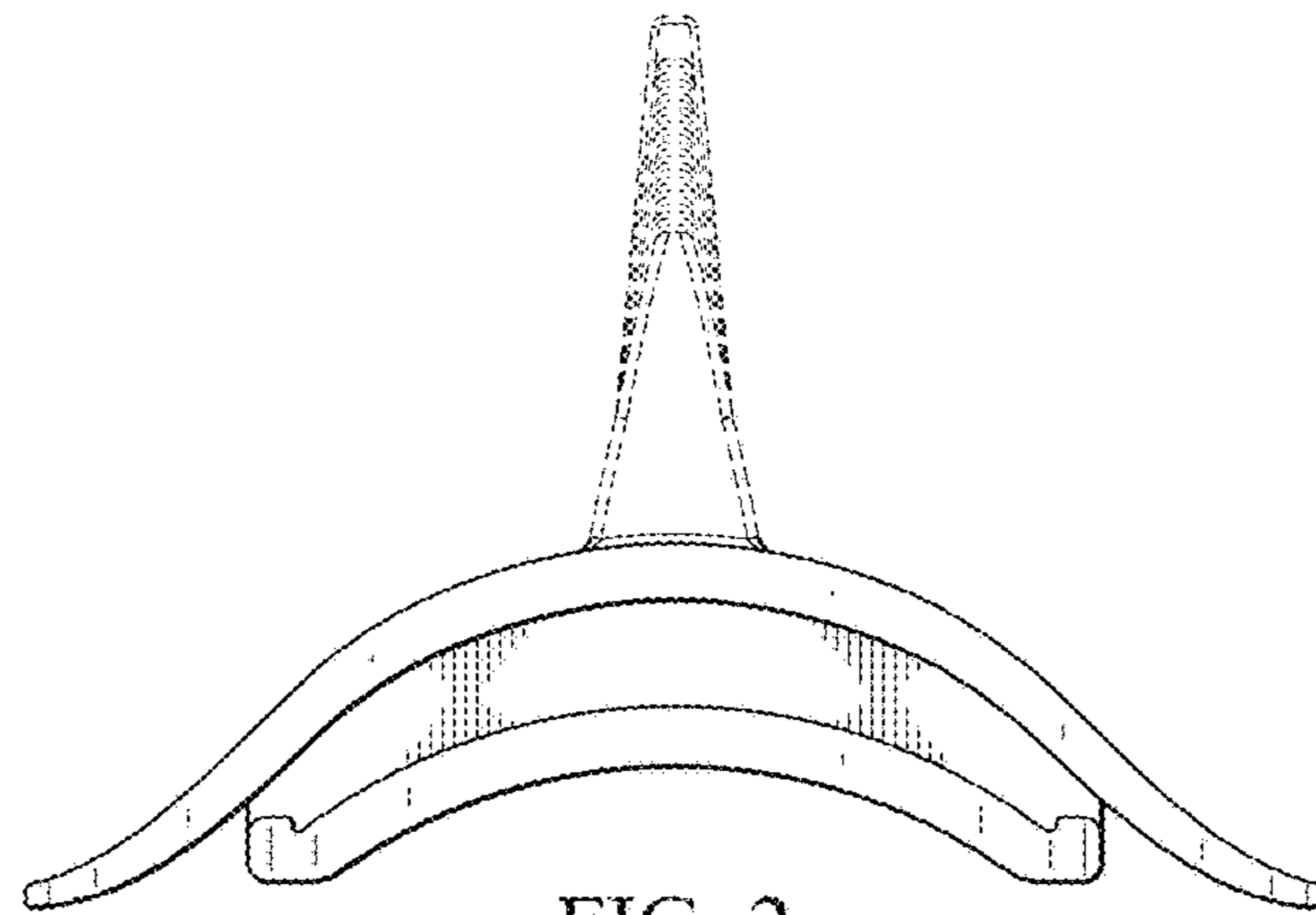


FIG. 2

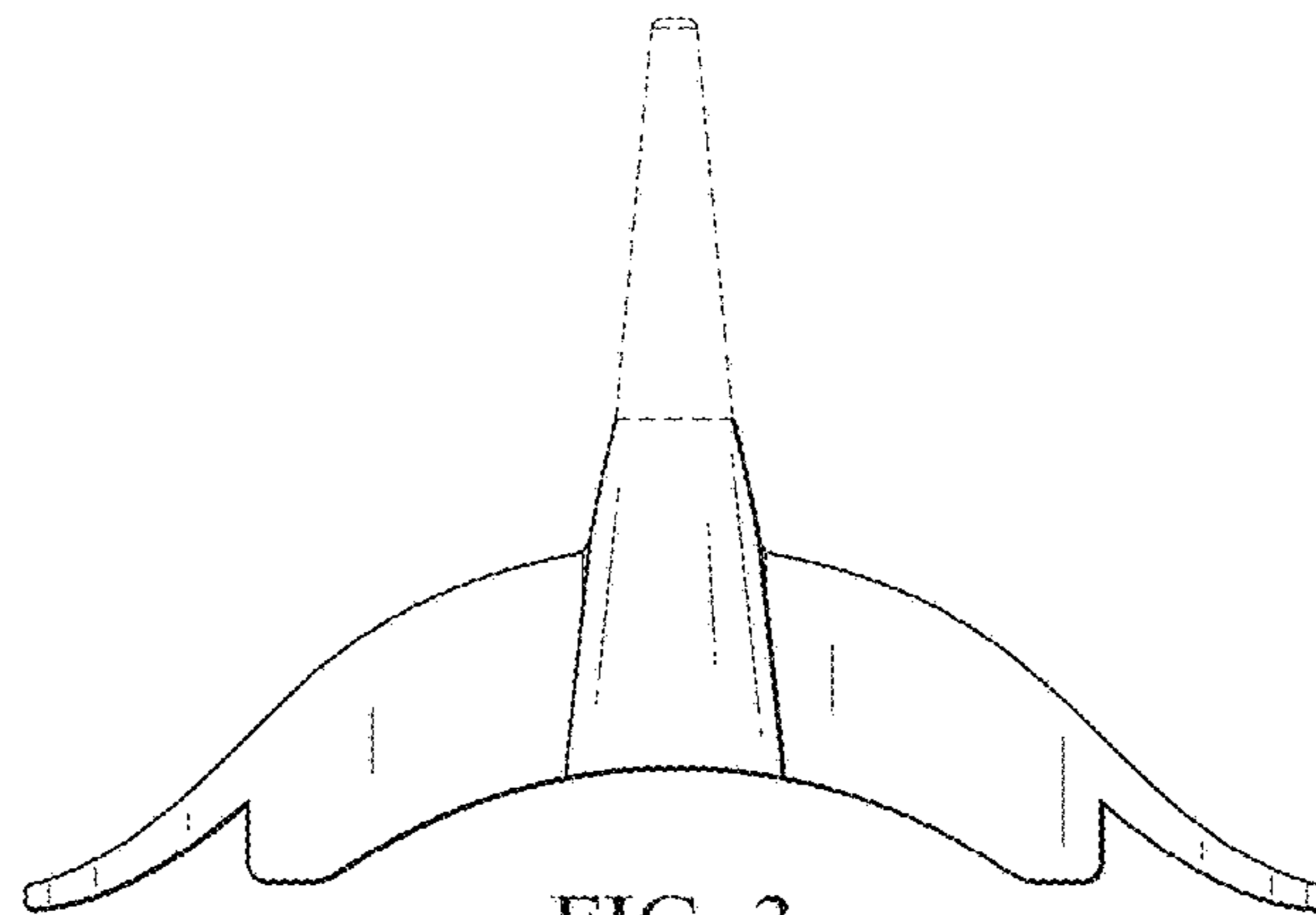


FIG. 3

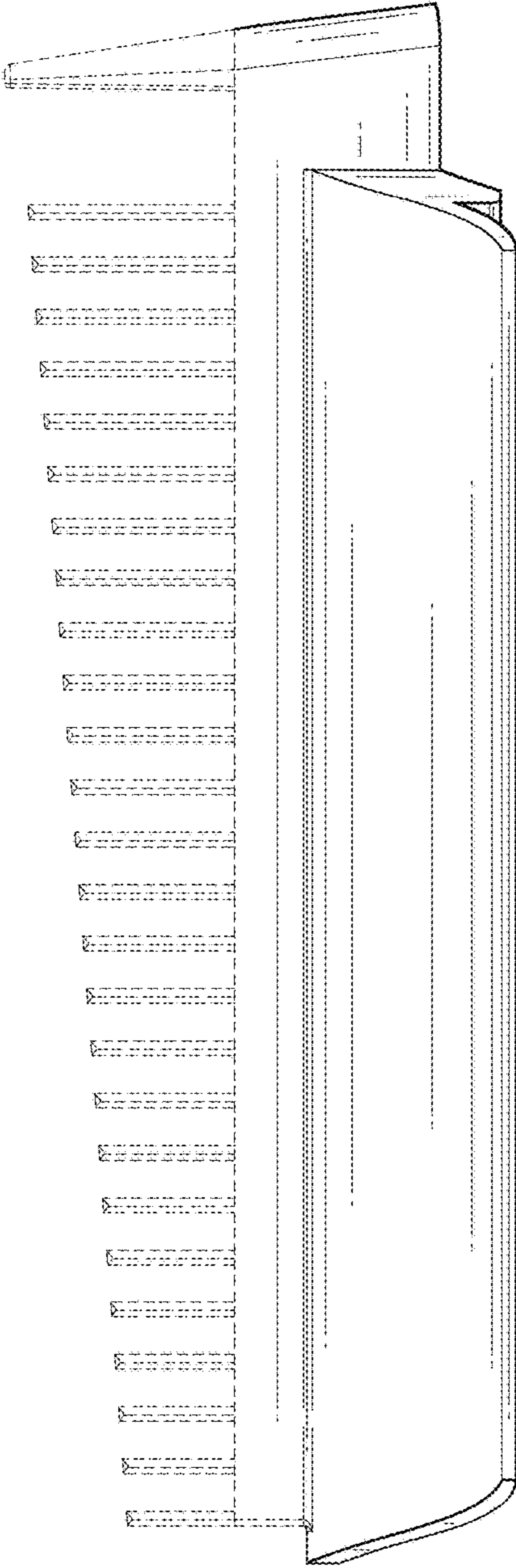


FIG. 4

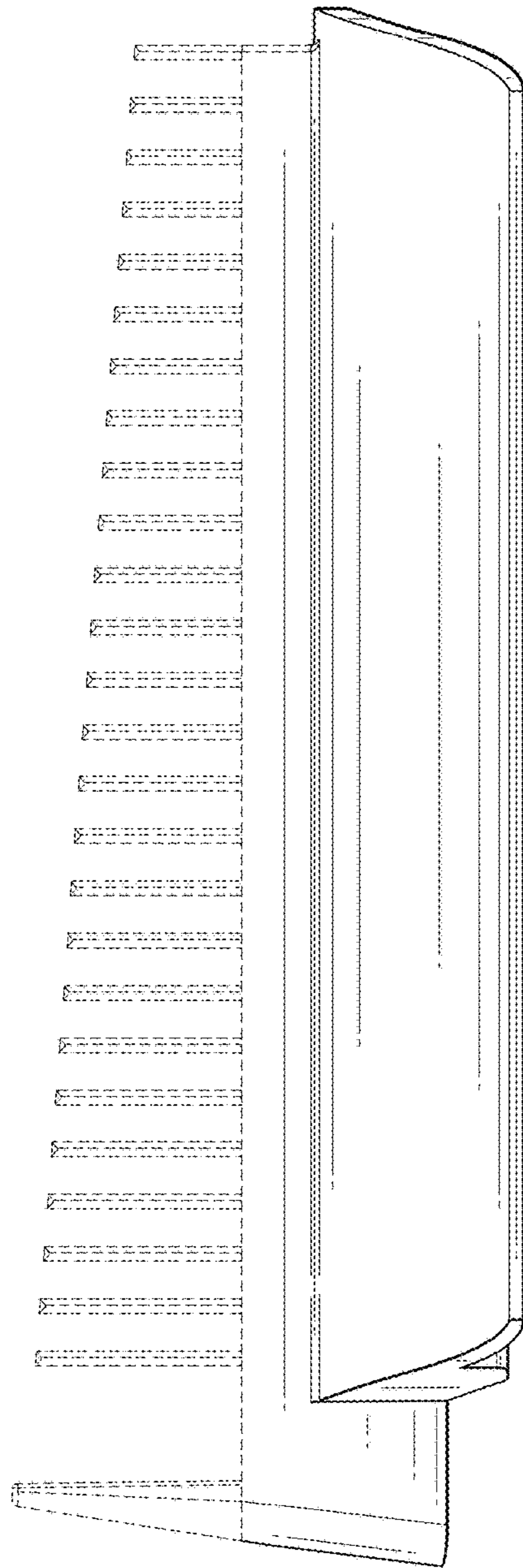


FIG. 5

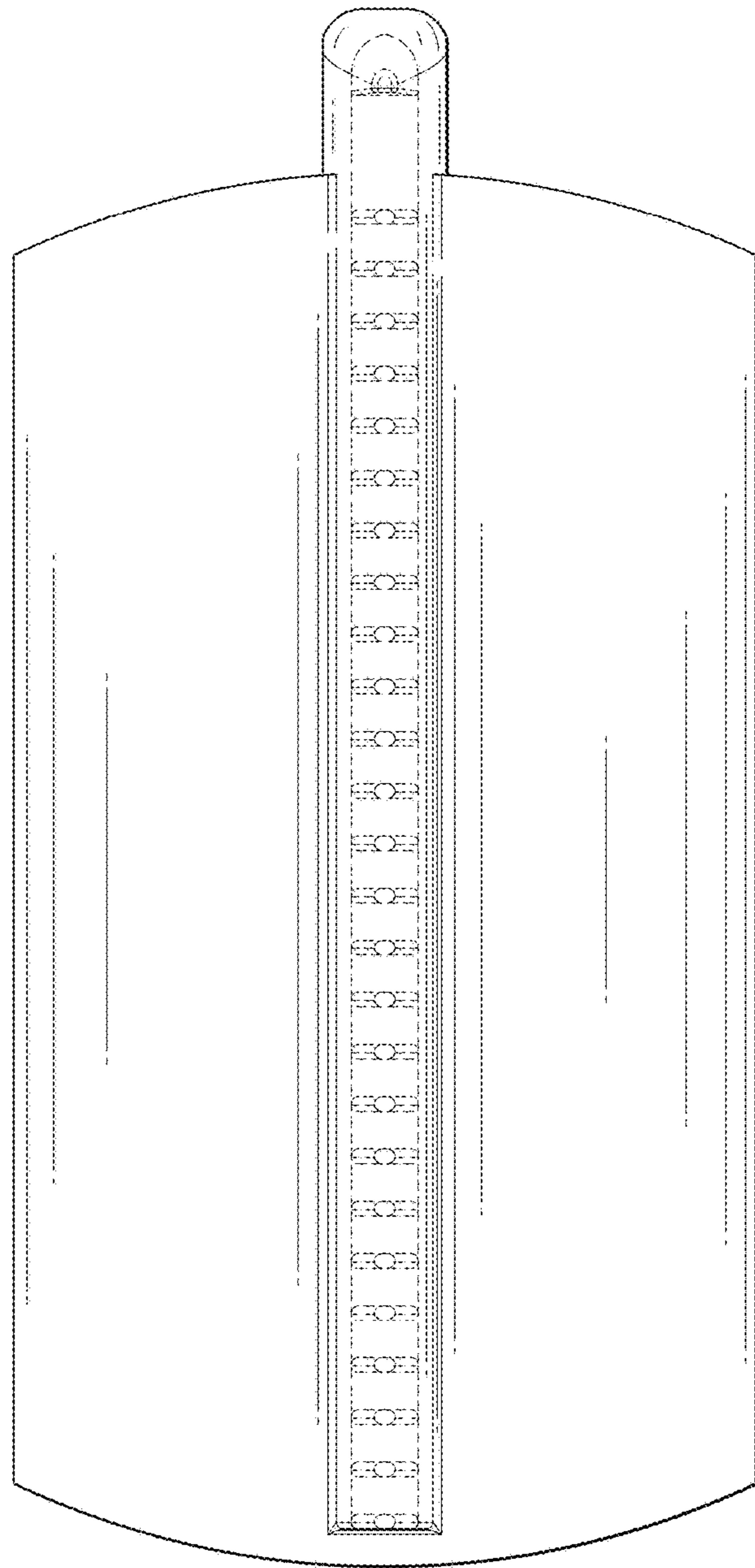


FIG. 6

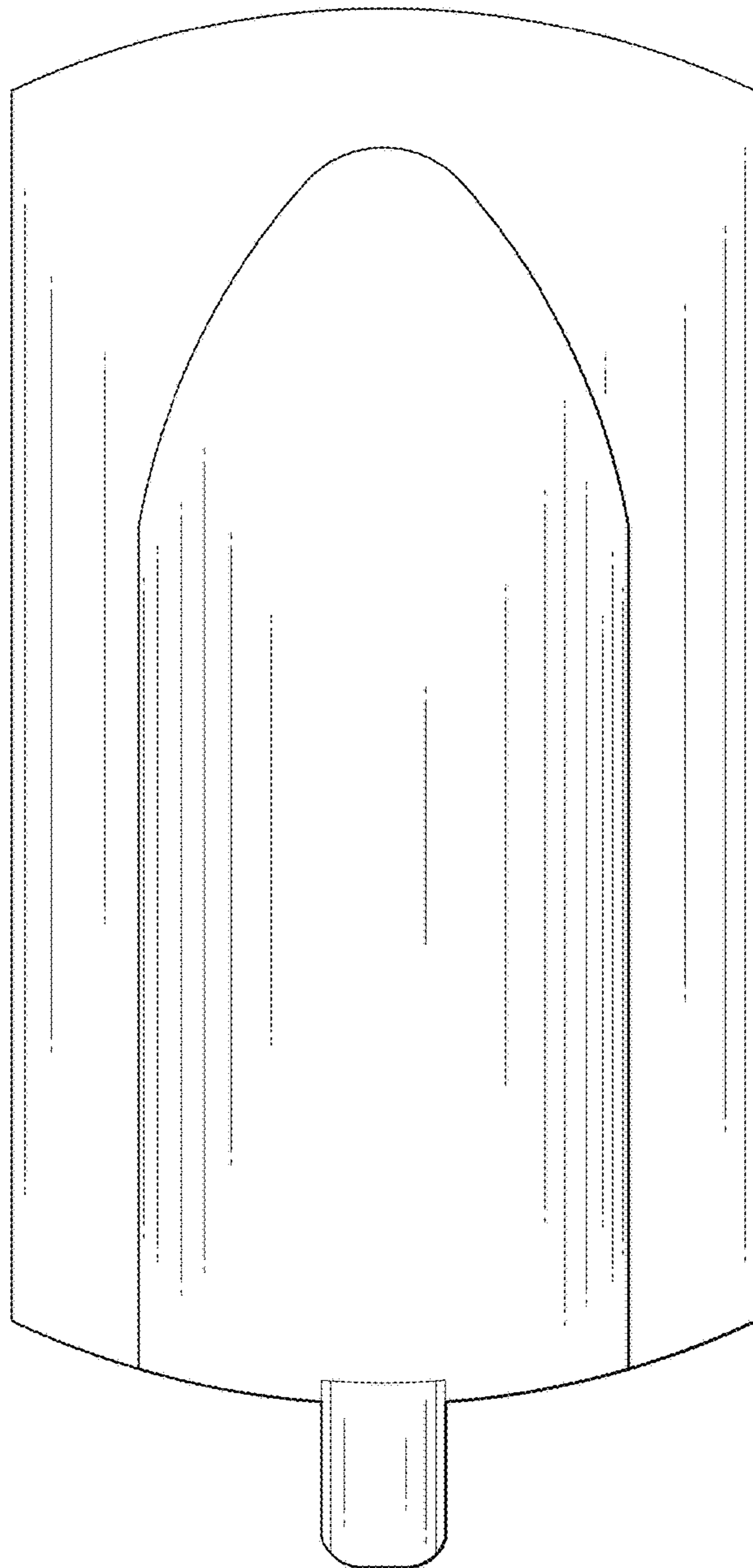


FIG. 7

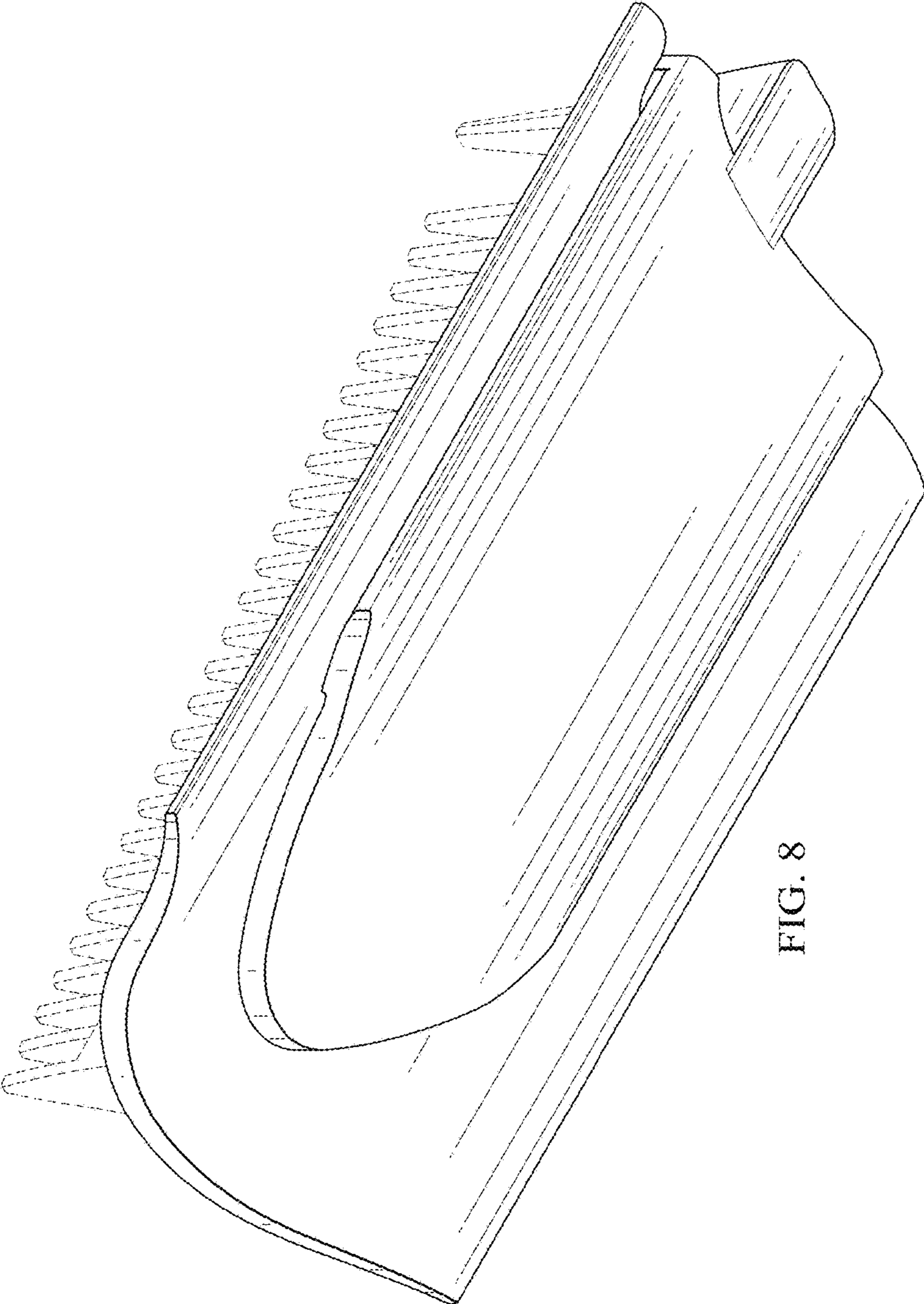


FIG. 8

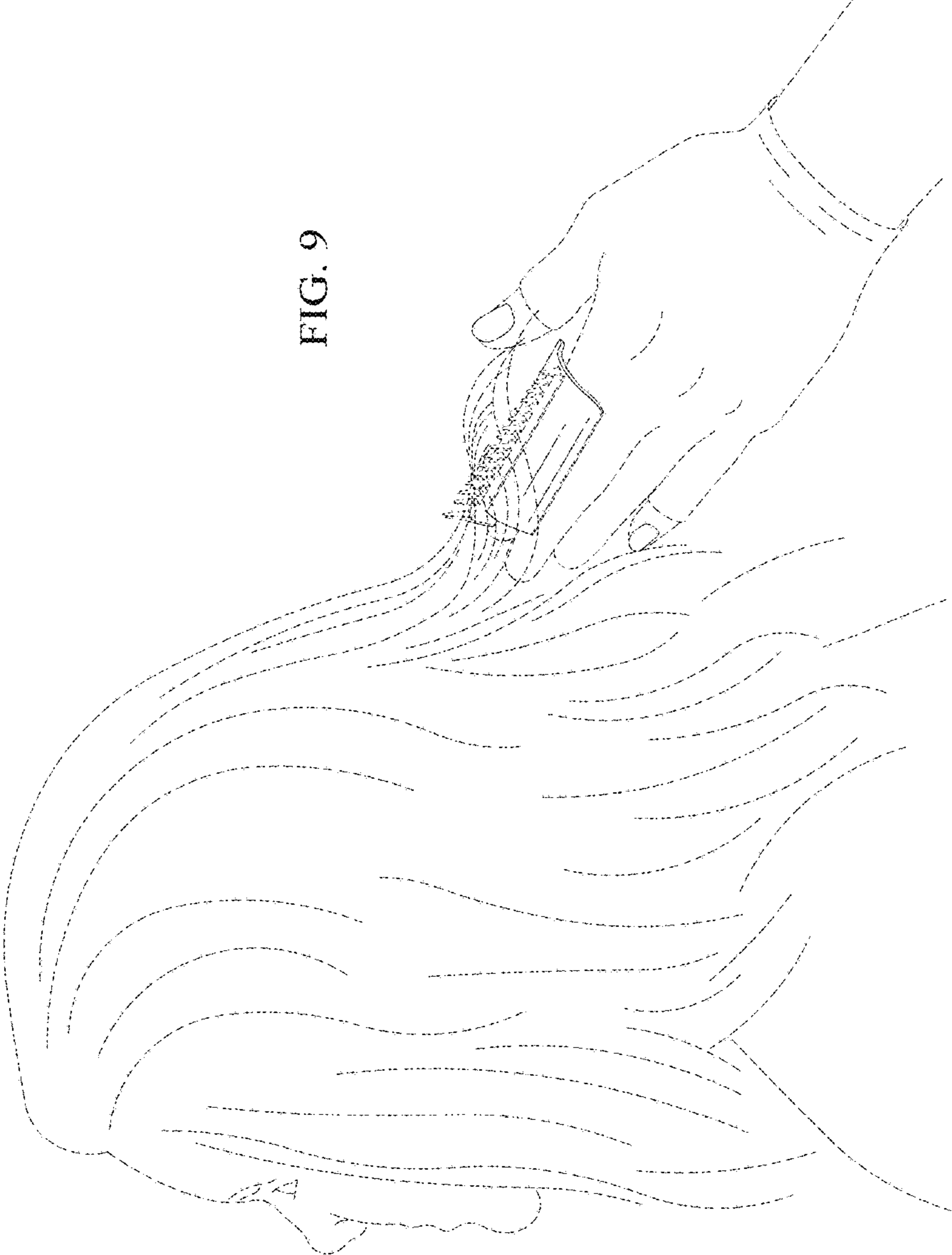


FIG. 9