



US00D843652S

(12) **United States Design Patent**
McLuckie et al.

(10) **Patent No.:** **US D843,652 S**
(45) **Date of Patent:** **** Mar. 19, 2019**

(54) **SUPPORT FOR A HAIR CARE APPLIANCE**

(71) Applicant: **Dyson Technology Limited**, Wiltshire (GB)
(72) Inventors: **Paul Andrew McLuckie**, Bristol (GB); **Andrea Ee-Va Lim**, Bristol (GB); **Mon Shy Teyu**, Johor Bahru (MY); **Alexander Stuart Knox**, Swindon (GB); **Stephen Benjamin Courtney**, Gloucester (GB); **William John Darvill**, Singapore (SG)

(73) Assignee: **Dyson Technology Limited**, Malmesbury, Wiltshire (GB)

(**) Term: **15 Years**

(21) Appl. No.: **29/618,528**

(22) Filed: **Sep. 21, 2017**

(30) **Foreign Application Priority Data**

Mar. 22, 2017 (GB) 6009490

(51) **LOC (11) Cl.** **28-03**

(52) **U.S. Cl.**
USPC **D28/18**

(58) **Field of Classification Search**
USPC D28/10, 12, 13, 14, 15, 16, 17, 18, 20, D28/81, 82, 83, 84
CPC A45D 20/00; A45D 20/48; A45D 20/50; A45D 20/52; A45D 20/525; A45D 20/04; A45D 20/08; A45D 20/10; A45D 20/12; A45D 20/122; A45D 44/08; A45D 2019/005; A45D 2019/0058; A45D 19/04; A45D 19/06; A45D 19/08; A45D 19/12; A45D 40/00; A45D 40/18; A45D 40/0087; A45D 40/222; A45D 40/0093; A45D 33/00; A45D 33/006; A45D 33/025; A45D 33/008; A45D 33/003; A45D 33/18; A45D 2040/225; A45D 2034/007

See application file for complete search history.

(56) **References Cited**

U.S. PATENT DOCUMENTS

5,590,475 A * 1/1997 Andis A45D 20/12 34/90
D378,892 S * 4/1997 Garcia D28/73
7,506,849 B1 * 3/2009 Koster A45D 20/12 248/214
D601,300 S * 9/2009 Burk D28/18
(Continued)

OTHER PUBLICATIONS

Dyson Supersonic™ White/Silver with Presentation Stand, posted © 2017 [online], retrieved Oct. 9, 2018, retrieved from internet , <<https://www.metro.com.sg/product/dyson-supersonic-hair-dryer-whitesilver-with-metal-stand?r=c-5556>>.*
(Continued)

Primary Examiner — Barbara Fox
Assistant Examiner — Messina L Smith
(74) *Attorney, Agent, or Firm* — Morrison & Foerster LLP

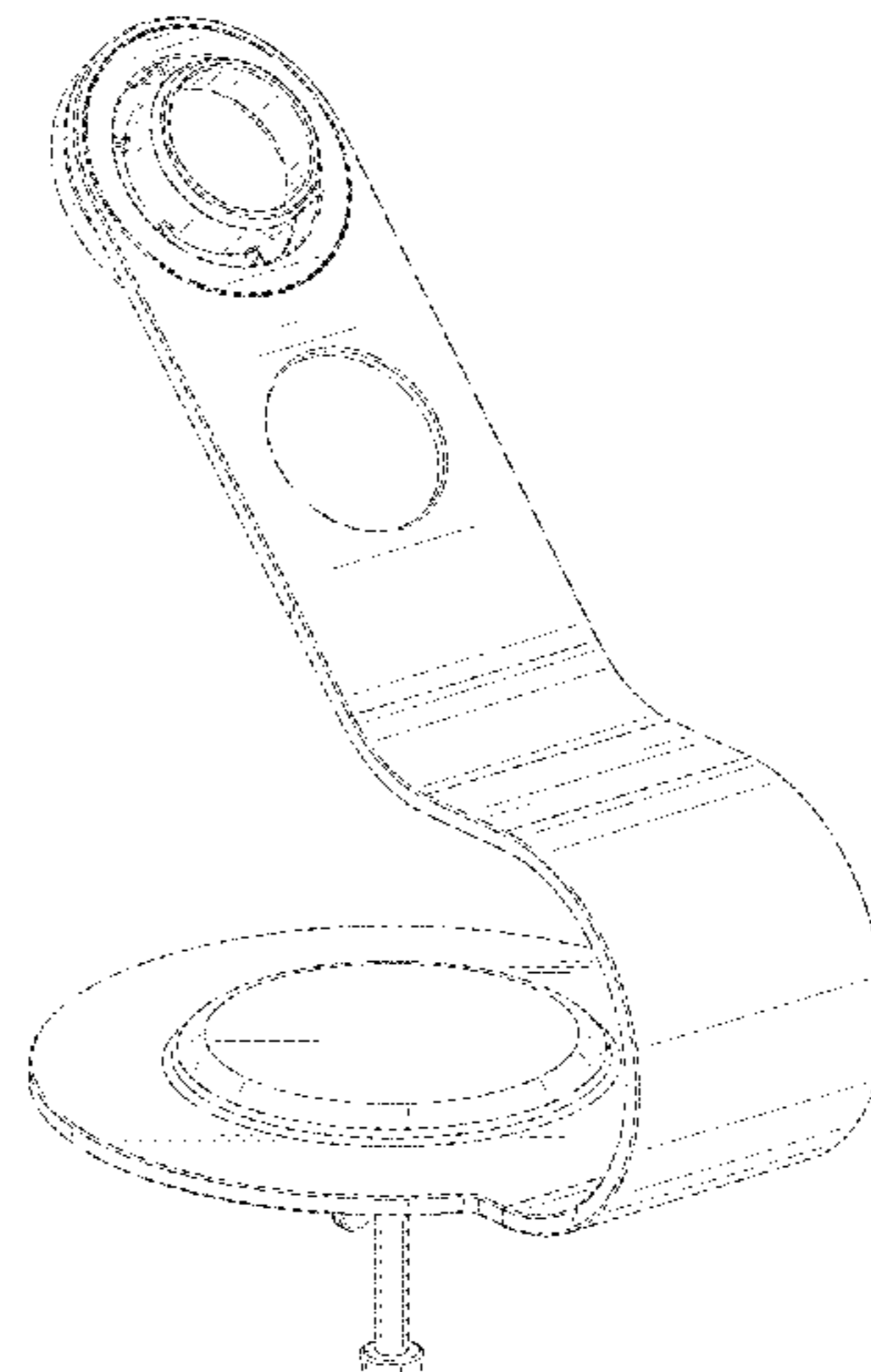
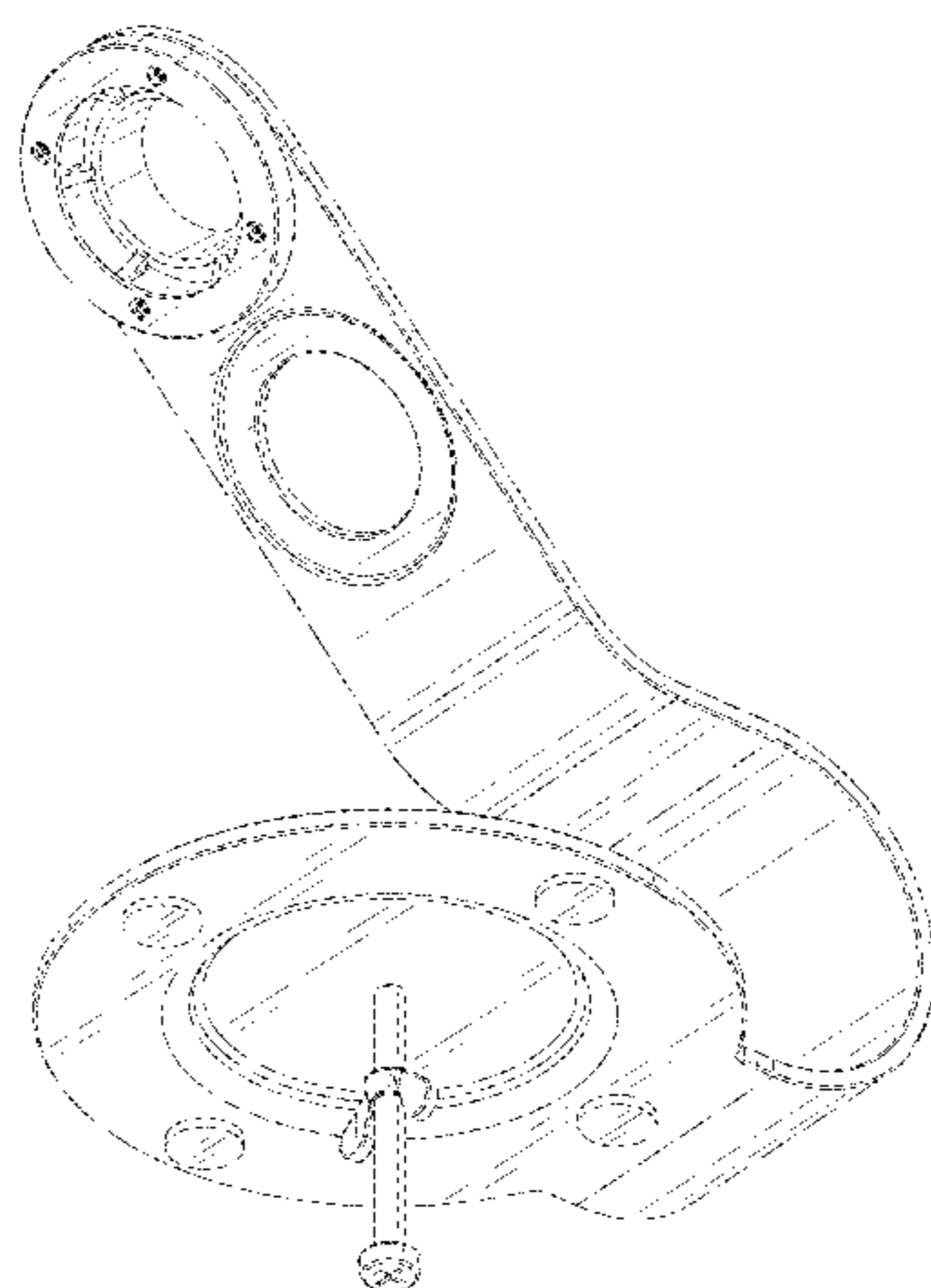
(57) **CLAIM**

We claim the ornamental design for a support for a hair care appliance, as shown and described.

DESCRIPTION

FIG. 1 is a front perspective view of a support for a hair care appliance showing our new design;
FIG. 2 is a rear perspective view thereof;
FIG. 3 is a side view thereof;
FIG. 4 is a front view thereof;
FIG. 5 is a rear view thereof;
FIG. 6 is a top view thereof; and,
FIG. 7 is a bottom view thereof.
The view opposite the side view of FIG. 3 is a mirror image of the side view of FIG. 3 and, therefore, is omitted herein.

1 Claim, 7 Drawing Sheets



(56)

References Cited

U.S. PATENT DOCUMENTS

7,748,583 B1 * 7/2010 Woltman A45D 20/12
224/242
D645,462 S * 9/2011 Choi D14/253
D669,636 S * 10/2012 Goodman D28/38
D717,289 S * 11/2014 Takabatake D14/252
D748,334 S * 1/2016 Goodman D28/38
D752,595 S * 3/2016 Heckler D14/447
D769,235 S * 10/2016 Li D14/253
D806,436 S * 1/2018 Bartolomucci D6/546
9,968,188 B1 * 5/2018 Floersch A47B 23/04
D828,843 S * 9/2018 Foldvary D14/447
2004/0065688 A1 * 4/2004 Duquet A45D 37/00
222/215
2011/0057082 A1 * 3/2011 West A45D 20/12
248/222.14

OTHER PUBLICATIONS

Dyson Supersonic™ hair dryer stand, no posting date given [online],
retrieved Oct. 9, 2018, retrieved from internet, <<https://shop.dyson.com.sg/haicare/dyson-supersonic-hair-dryer-stand-968685-02>>.*

* cited by examiner

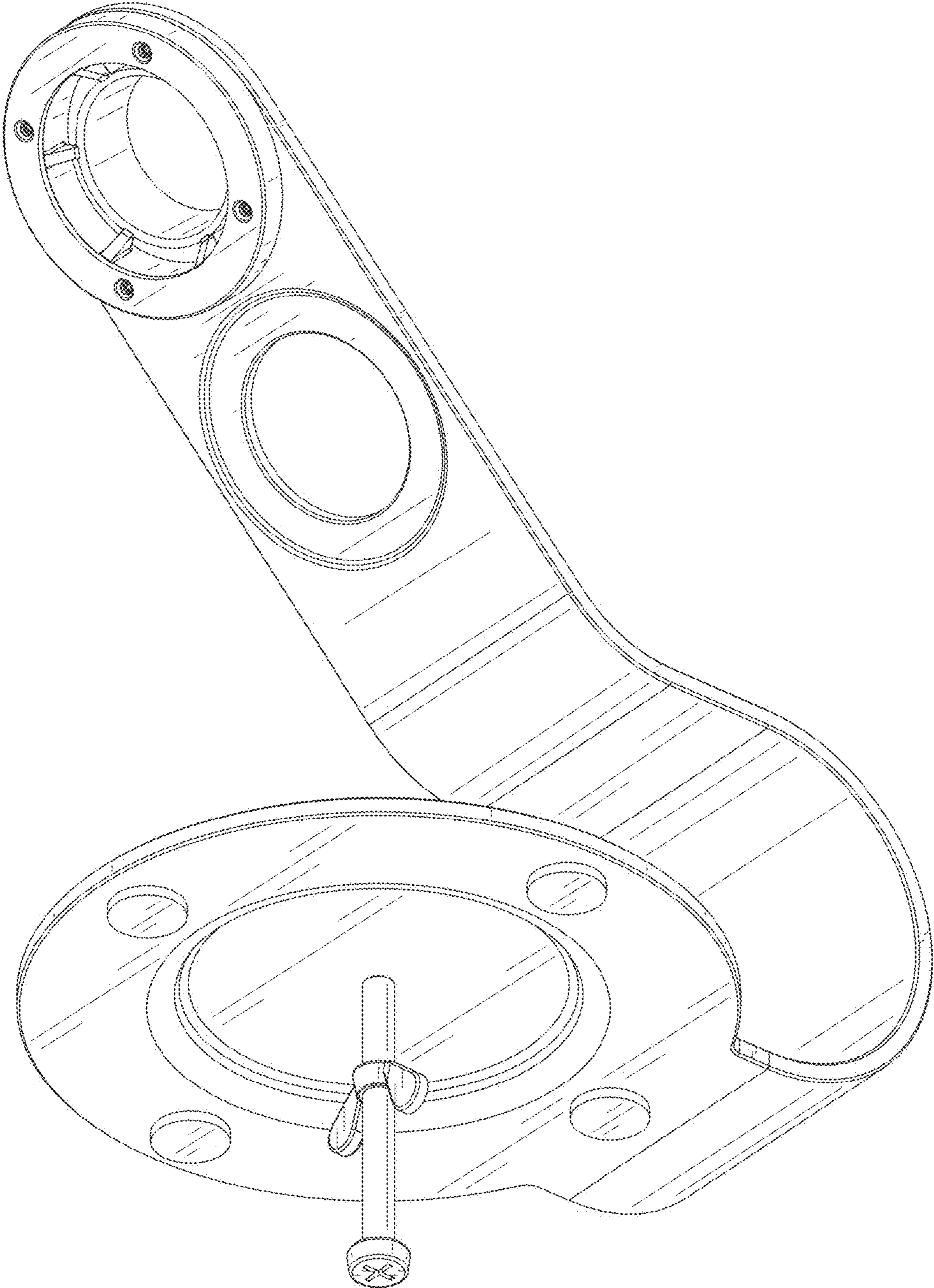


FIG. 1

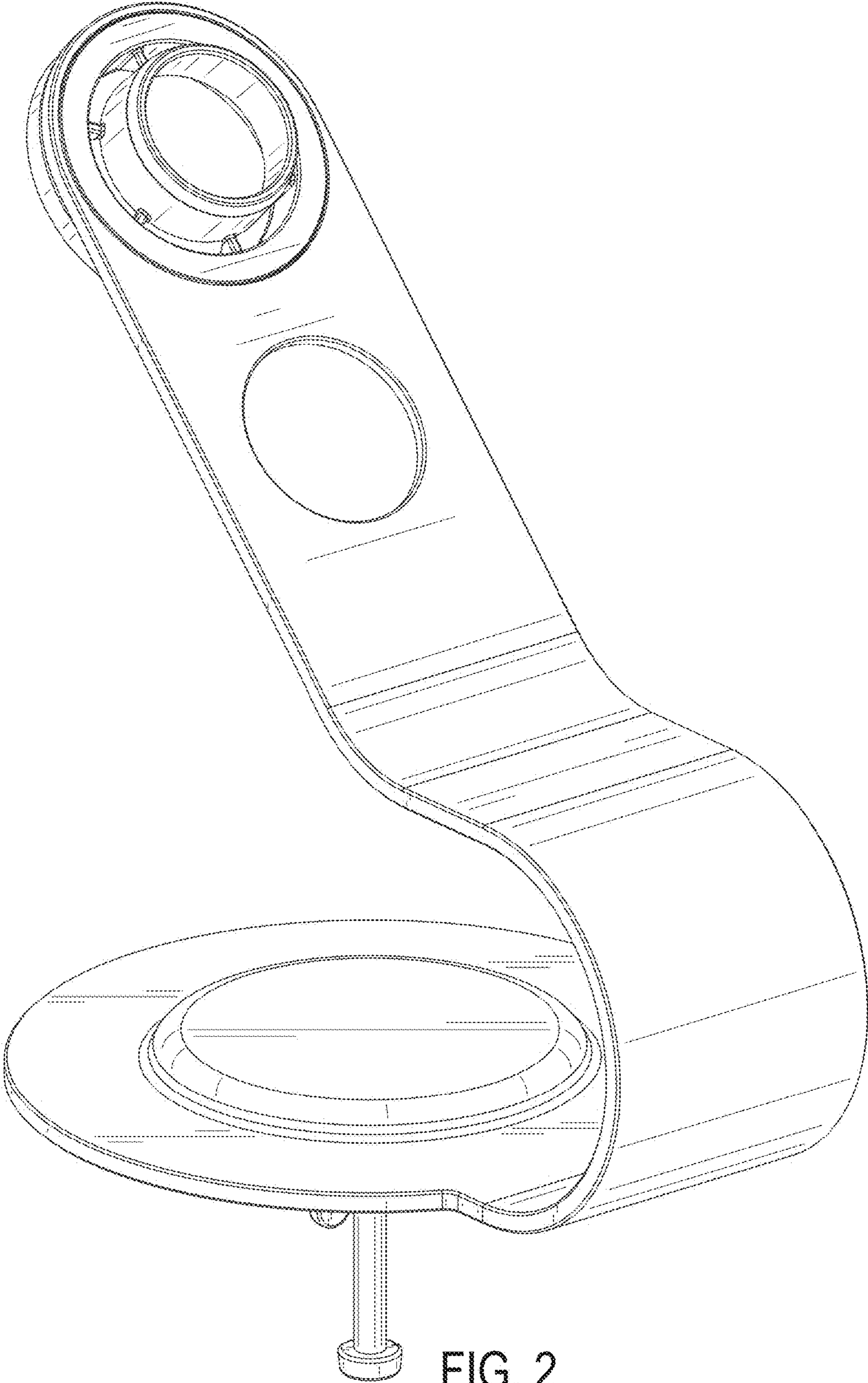


FIG. 2

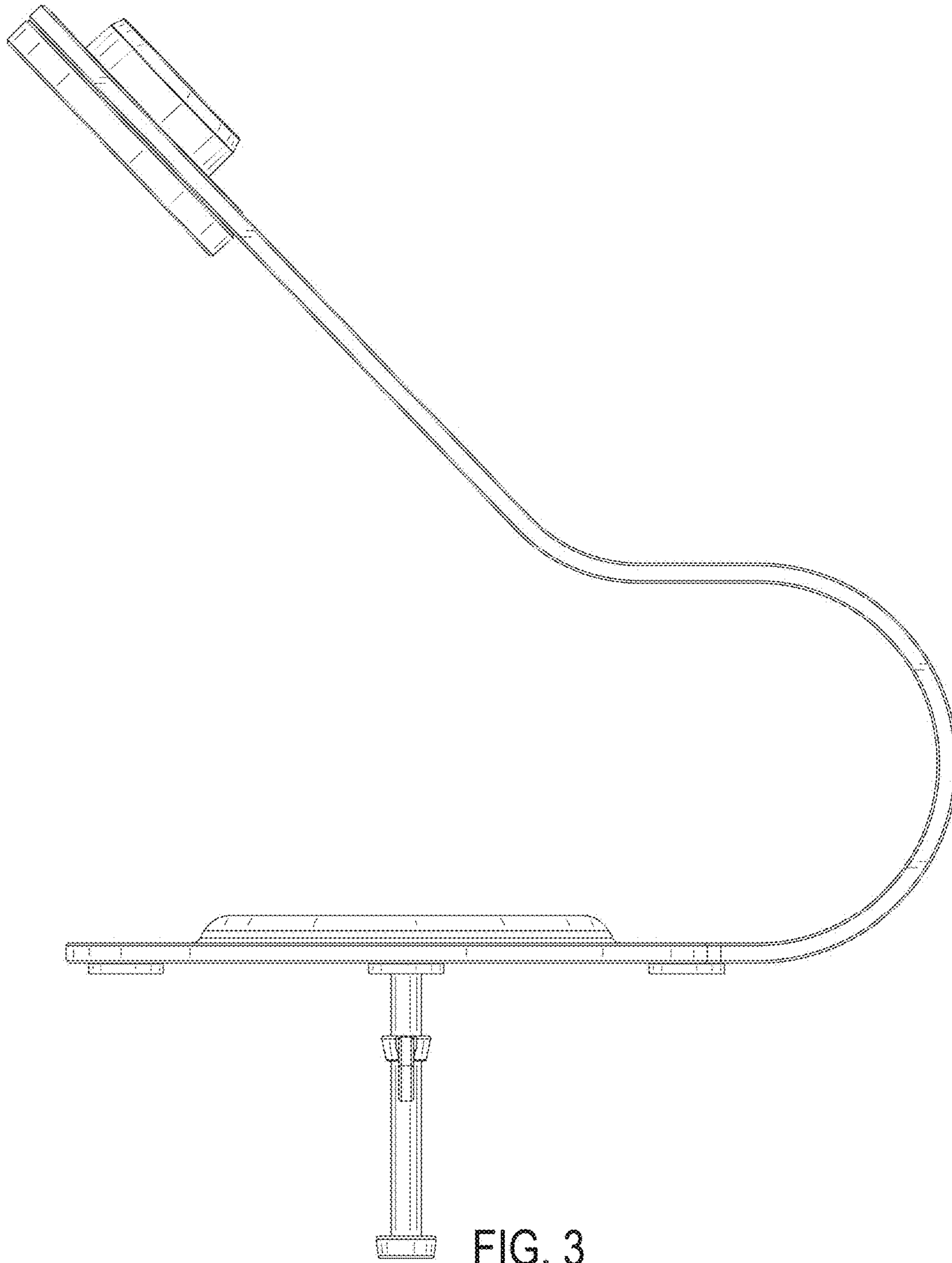


FIG. 3

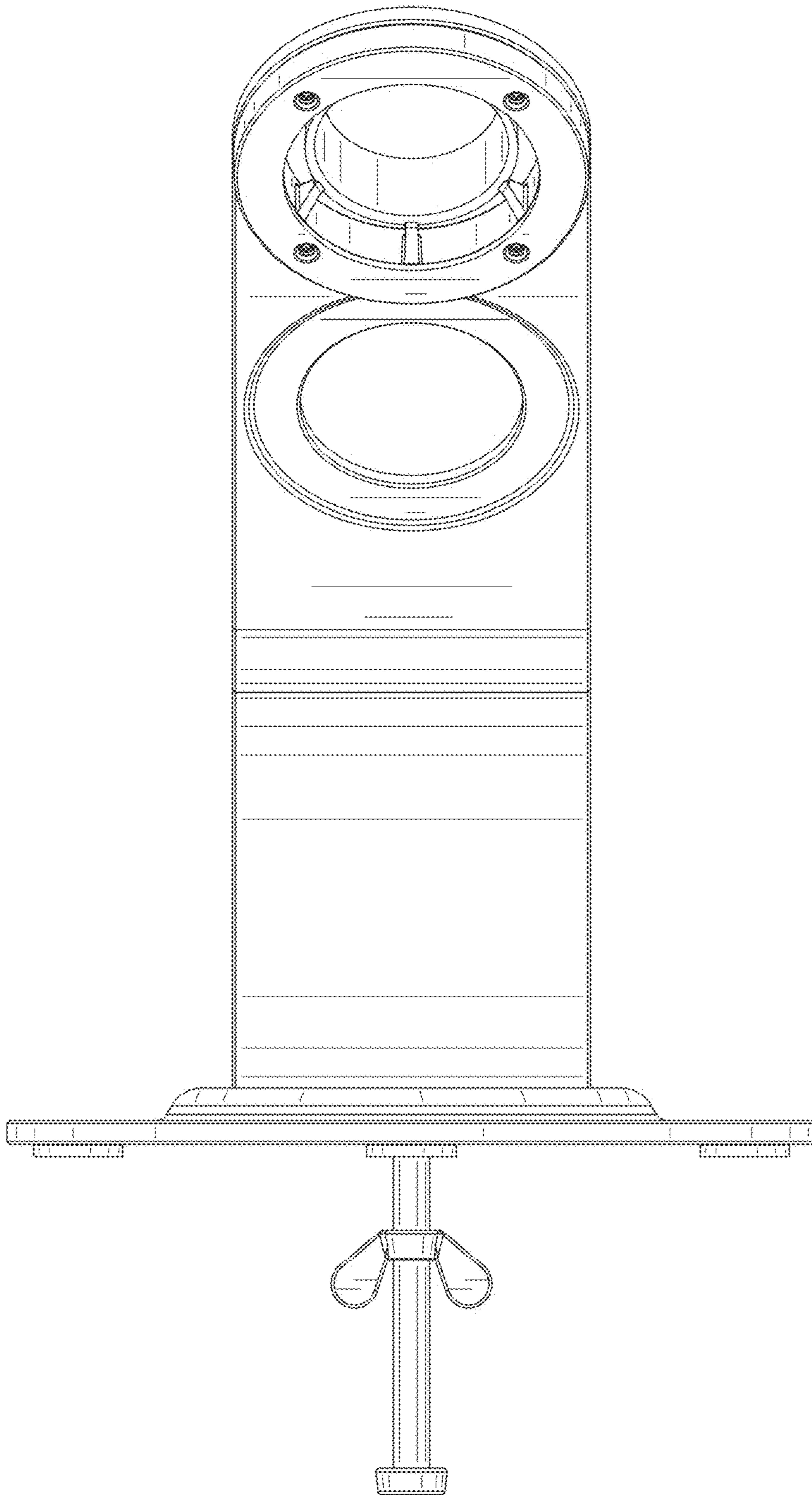


FIG. 4

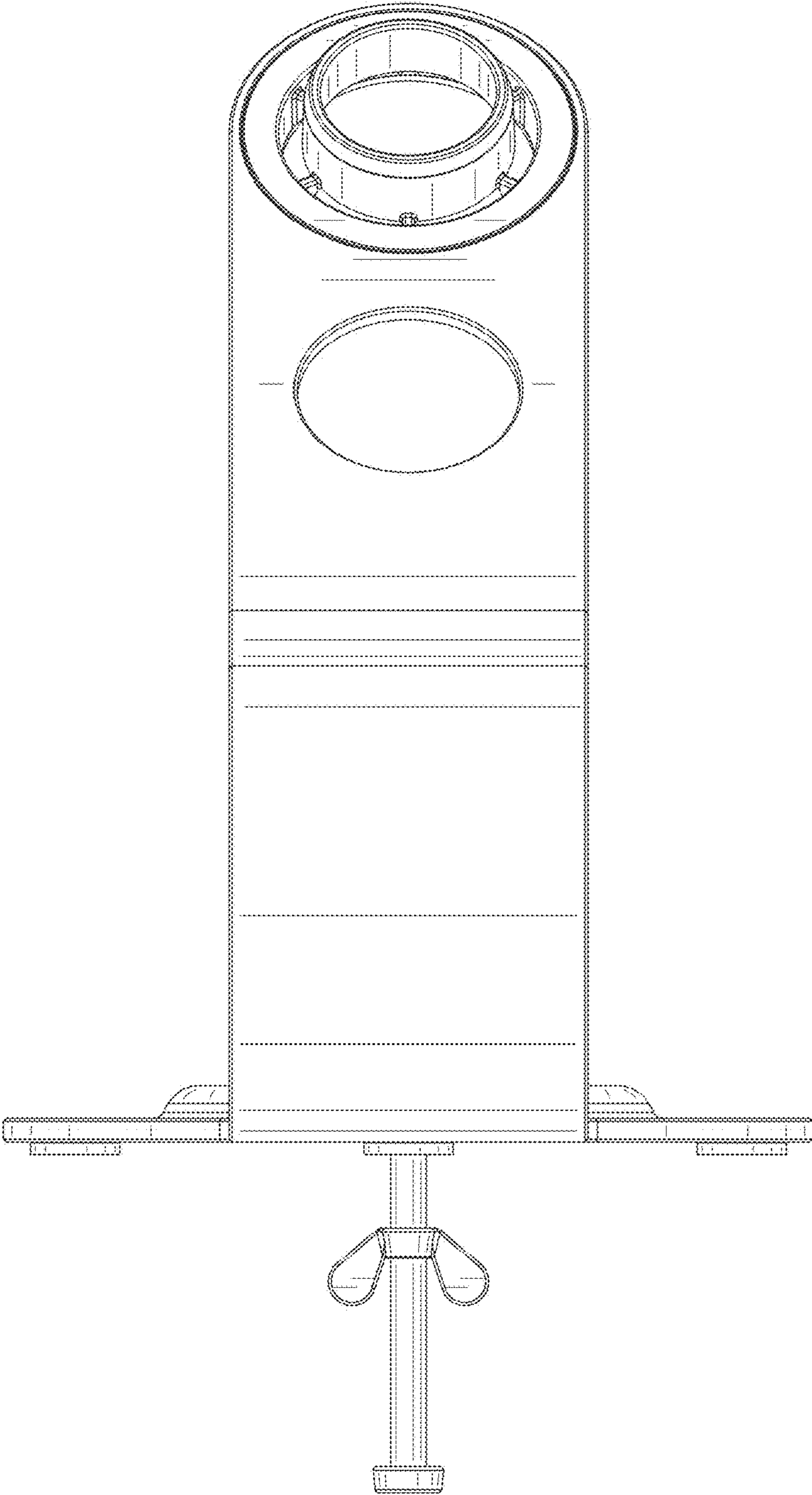


FIG. 5

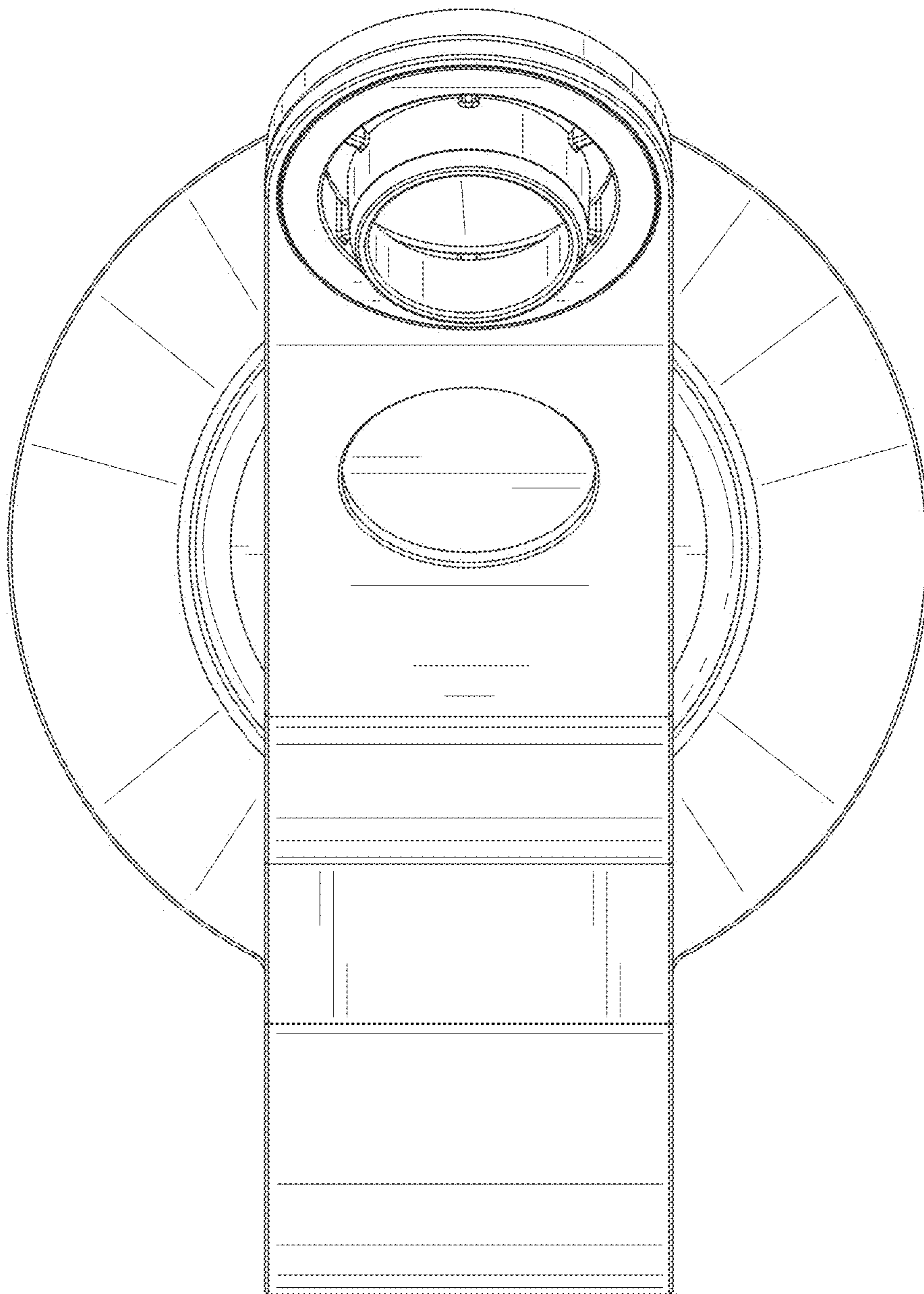


FIG. 6

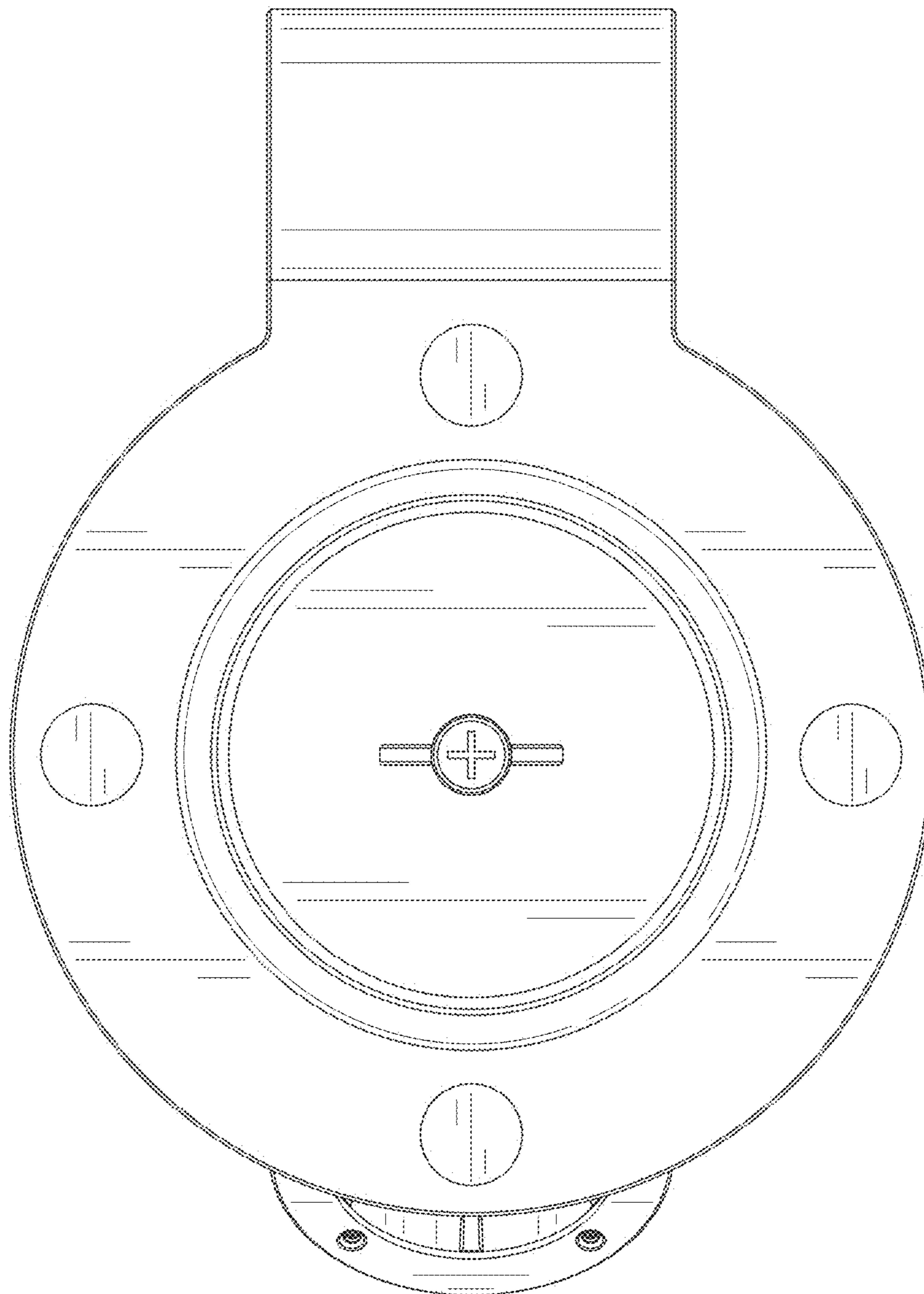


FIG. 7