



US00D843650S

(12) **United States Design Patent**
Verleur et al.

(10) **Patent No.:** **US D843,650 S**

(45) **Date of Patent:** **** *Mar. 19, 2019**

(54) **VAPORIZER**

(71) Applicant: **VMR Products LLC**, Miami, FL (US)

(72) Inventors: **Jan Andries Verleur**, Miami, FL (US);
Dan Recio, Miami Beach, FL (US);
Zhiyuan Liu, Miami, FL (US); **Hans Verleur**, El Dorado, CA (US)

(73) Assignee: **VMR Products, LLC**, Miami, FL (US)

(*) Notice: This patent is subject to a terminal disclaimer.

(**) Term: **15 Years**

(21) Appl. No.: **29/615,506**

(22) Filed: **Aug. 29, 2017**

(51) **LOC (11) Cl.** **27-06**

(52) **U.S. Cl.**
USPC **D27/172**

(58) **Field of Classification Search**
USPC D27/101, 100, 106, 108, 163, 165-169,
D27/172, 174, 175, 183, 186-190, 193,
D27/195; D24/110; 131/273, 274, 191,
131/330, 329
CPC A24F 9/00; A24F 47/002; A24F 47/004;
A24F 47/006; A24F 47/008; A61M 15/06
See application file for complete search history.

(56) **References Cited**

U.S. PATENT DOCUMENTS

D591,899 S * 5/2009 Bray D27/189
D668,534 S * 10/2012 Collins D9/423

D706,976 S * 6/2014 Wu D27/189
D752,285 S * 3/2016 Doster D27/189
D752,286 S * 3/2016 Doster D27/189
D772,477 S * 11/2016 Shin D27/163
D772,480 S * 11/2016 Hua D27/189
D776,338 S * 1/2017 Lomeli D27/163
D801,507 S * 10/2017 Kelnhofer D23/366
D804,717 S * 12/2017 Wang D27/101
D806,311 S * 12/2017 Smith D27/162
D811,003 S * 2/2018 Folyan D27/101
D816,267 S * 4/2018 Fornarelli D27/101

* cited by examiner

Primary Examiner — Susan Bennett Hattan

Assistant Examiner — Rebecca Tsehaye

(74) *Attorney, Agent, or Firm* — Hillyer Legal

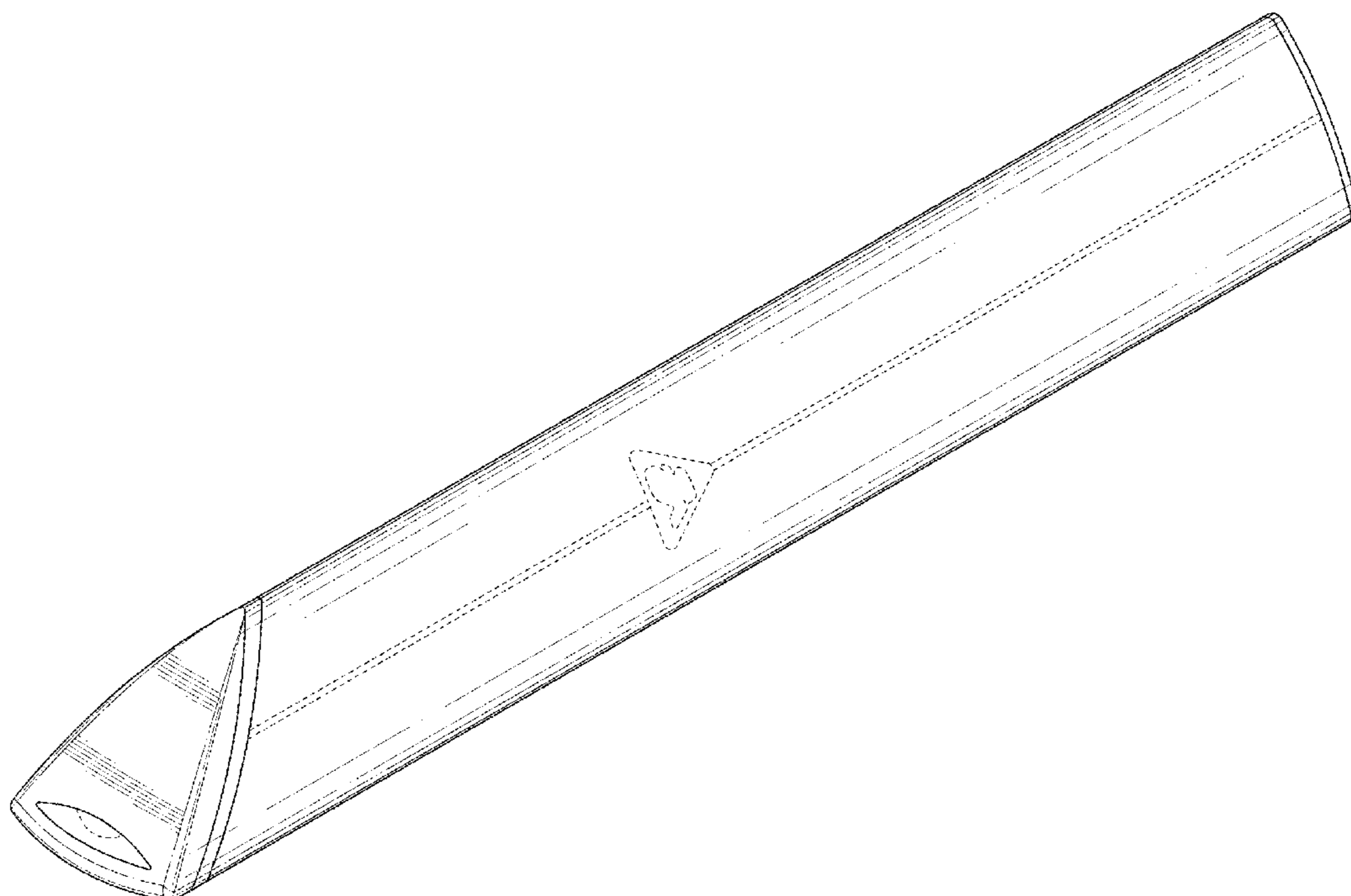
(57) **CLAIM**

The ornamental design for a vaporizer, as shown and described.

DESCRIPTION

FIG. 1 is a perspective view of a vaporizer showing our new design;
FIG. 2 is a front elevational view thereof;
FIG. 3 is a rear elevational view thereof;
FIG. 4 is a top plan view thereof;
FIG. 5 is a bottom plan view thereof;
FIG. 6 is a left side elevational view thereof; and,
FIG. 7 is a right side elevational view thereof.
The broken lines are directed to environment and are for illustrative purposes only; the broken lines form no part of the claimed design.

1 Claim, 3 Drawing Sheets



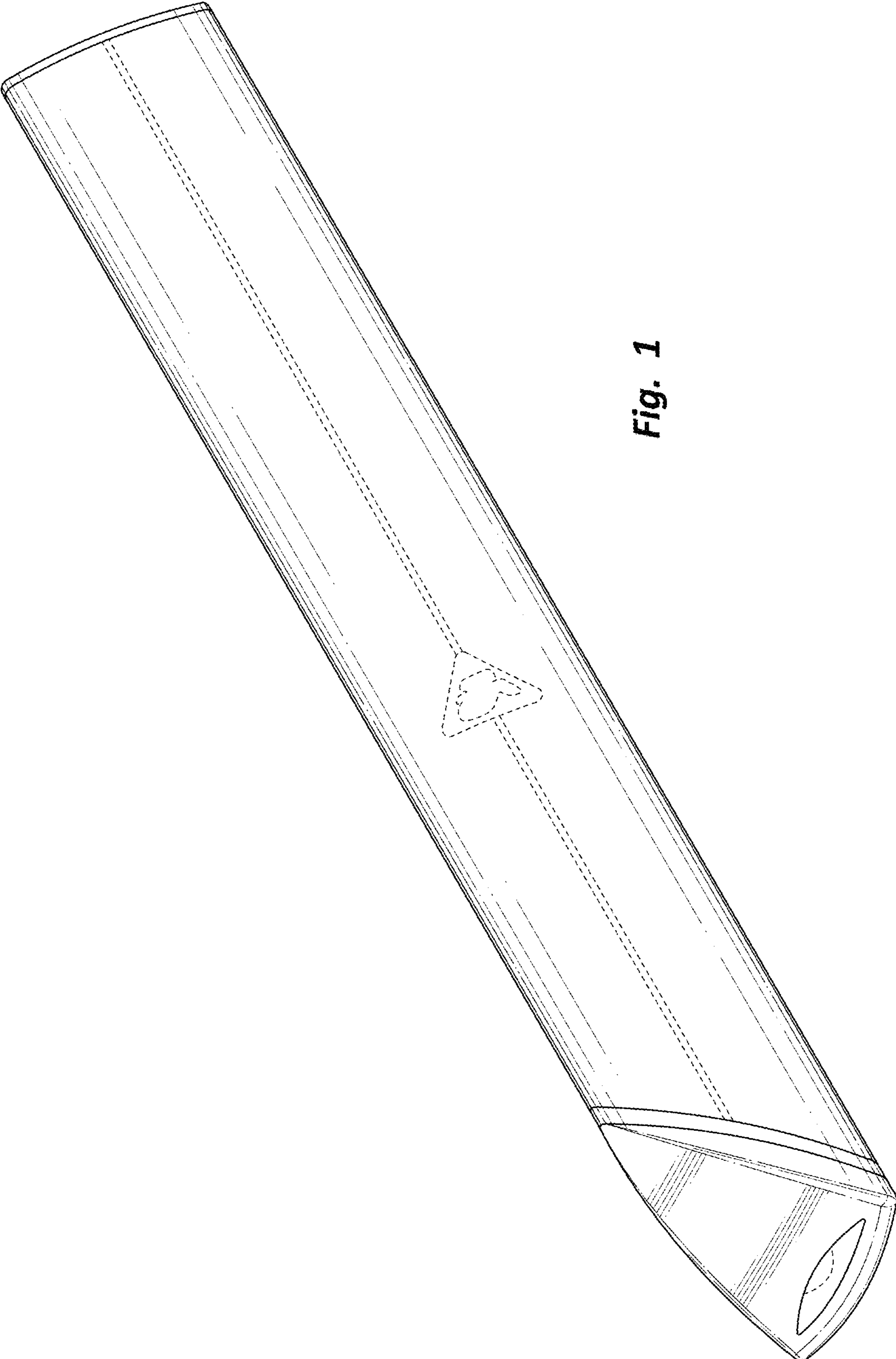


Fig. 1

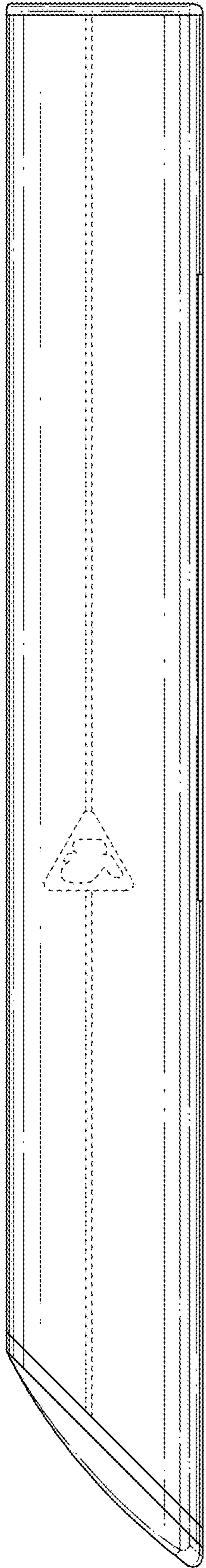


Fig. 2

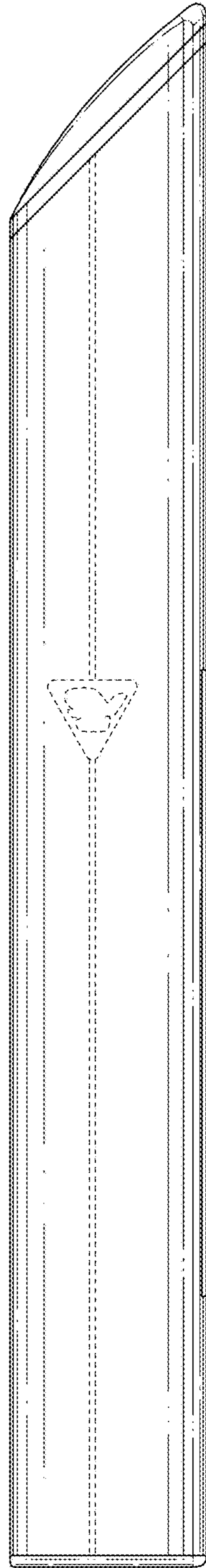


Fig. 3

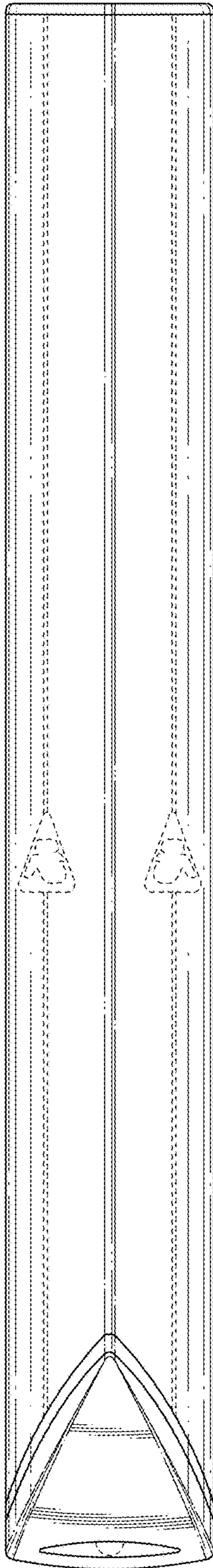


Fig. 4

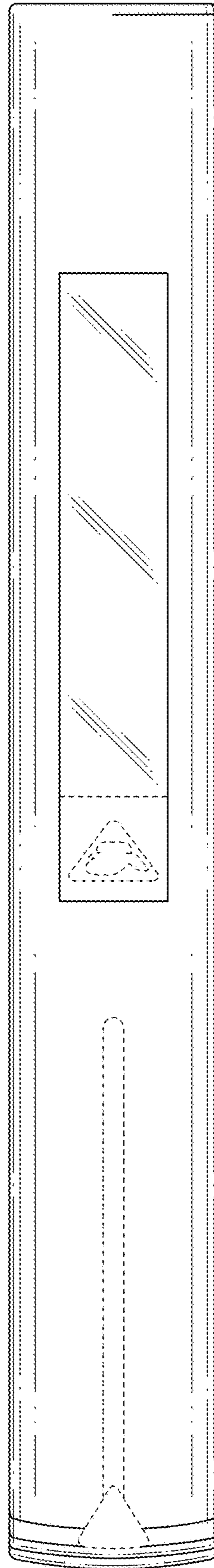


Fig. 5

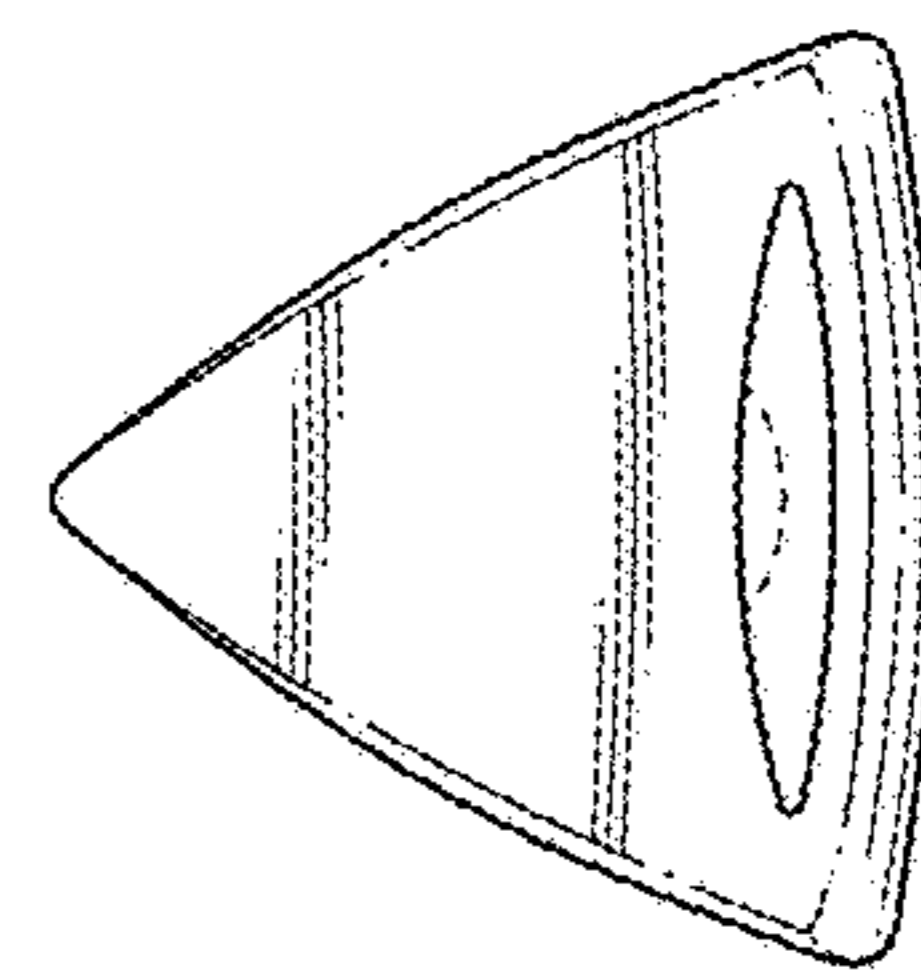


Fig. 6

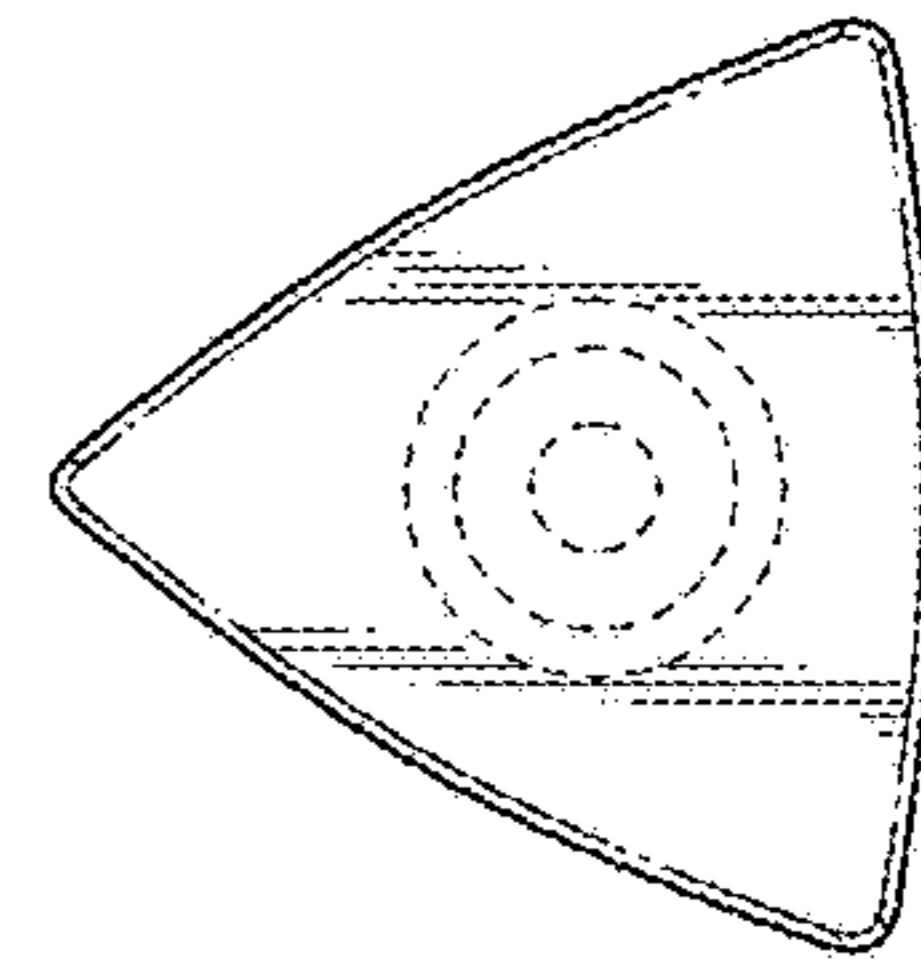


Fig. 7