



US00D843649S

(12) **United States Design Patent** (10) **Patent No.:** **US D843,649 S**
Rasmussen et al. (45) **Date of Patent:** **** Mar. 19, 2019**

(54) **MOUTHPIECE FOR AN ELECTRONIC VAPING DEVICE**

(71) Applicant: **Fontem Holdings 1 B.V.**, Amsterdam (NL)

(72) Inventors: **Dennis R. Rasmussen**, Campbell, CA (US); **Christopher Myles**, San Jose, CA (US)

(73) Assignee: **Fontem Holdings 1 B.V.**, Amsterdam (NL)

(**) Term: **15 Years**

(21) Appl. No.: **29/622,474**

(22) Filed: **Oct. 17, 2017**

(51) **LOC (11) Cl.** **27-02**

(52) **U.S. Cl.**
USPC **D27/169**; D27/170

(58) **Field of Classification Search**
USPC D27/100, 101, 162, 163–194;
D19/115–123, 161–169; D24/110;
D23/366
CPC A24F 47/008; A24F 47/002
See application file for complete search history.

(56) **References Cited**

U.S. PATENT DOCUMENTS

D720,497 S *	12/2014	Alima	D27/101
D759,303 S *	6/2016	Afridi	D27/101
D760,948 S *	7/2016	Eksouzian	D27/101
D763,502 S *	8/2016	Verleur	D27/167
D776,337 S *	1/2017	Levin	D27/101
D776,869 S *	1/2017	Heidl	D27/163
9,549,573 B2 *	1/2017	Monsees	H05B 3/04
D778,493 S *	2/2017	Scott	D27/101
D786,497 S *	5/2017	Sudlow	D27/162
D792,643 S *	7/2017	Wong	D27/101

9,700,075 B2 *	7/2017	Liu	A24F 47/008
D808,071 S *	1/2018	Folkerts	D27/101
D813,447 S *	3/2018	Watson	D27/162
9,913,950 B2 *	3/2018	Goodman	F22B 1/282
D815,341 S *	4/2018	Qiu	D27/101
2010/0031968 A1 *	2/2010	Sheikh	A24F 47/008 131/347
2013/0199528 A1 *	8/2013	Goodman	F22B 1/282 128/203.26
2013/0298905 A1 *	11/2013	Levin	A24F 47/008 128/202.21

(Continued)

Primary Examiner — Marissa J Cash

(74) *Attorney, Agent, or Firm* — Dykema Gossett PLLC

(57) **CLAIM**

The ornamental design for a mouthpiece for an electronic vaping device, as shown and described.

DESCRIPTION

FIG. 1 is an isometric view depicting the front, bottom, and right side of a mouthpiece for an electronic vaping device according to the present design, mounted in the body of an electronic vaping device.

FIG. 2 is a front elevation view of the mouthpiece, depicted mounted in the body of the electronic vaping device depicted in FIG. 1.

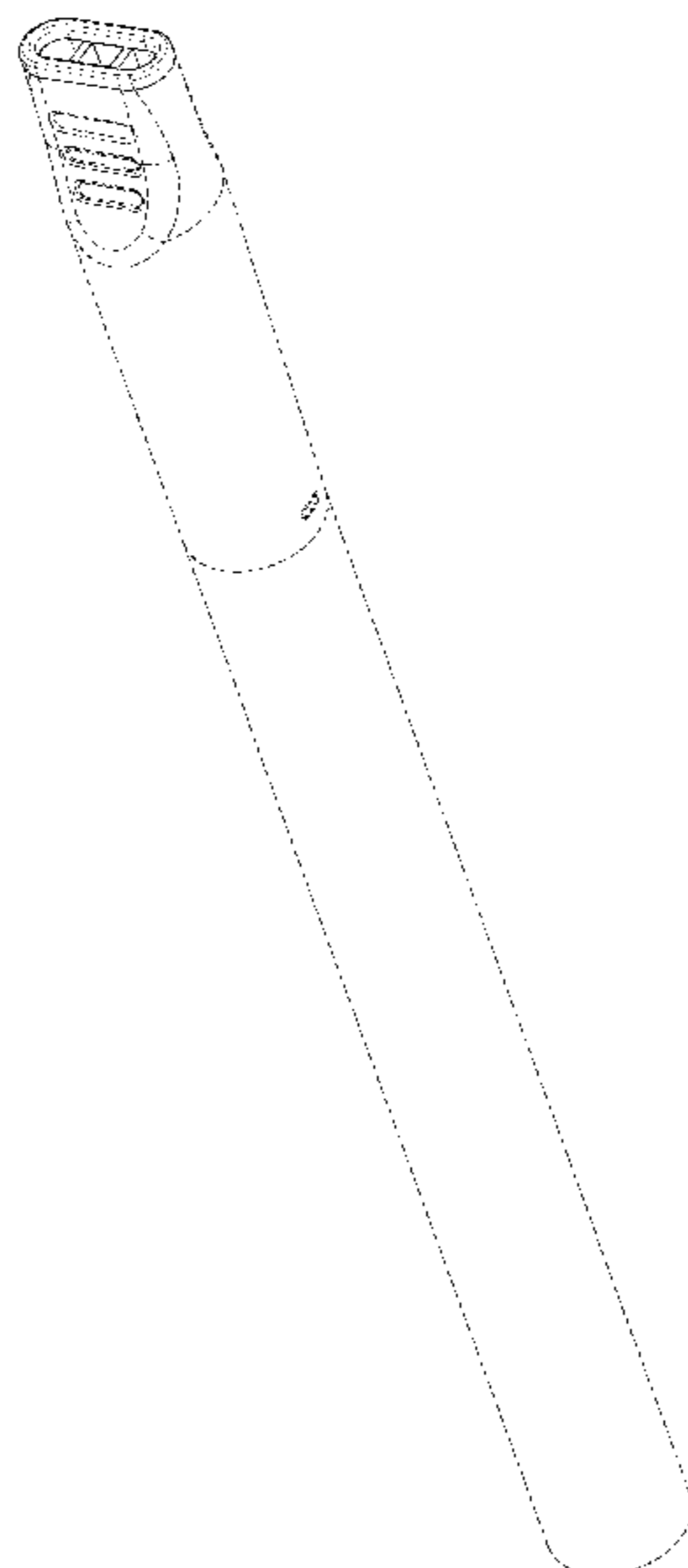
FIG. 3 is a top plan view of the mouthpiece shown removed from environment for clarity of disclosure, the bottom plan view being a mirror image thereof.

FIG. 4 is a front elevation view of the mouthpiece thereof. FIG. 5 is an isometric view of the front, left side, and top of the mouthpiece thereof; and,

FIG. 6 is an isometric view of the rear, right side, and top of the mouthpiece thereof.

The broken lines in the drawings depict environmental subject matter only and form no part of the claimed design.

1 Claim, 3 Drawing Sheets



(56)

References Cited

U.S. PATENT DOCUMENTS

2014/0041655 A1* 2/2014 Barron A61M 11/042
128/202.21
2015/0034104 A1* 2/2015 Zhou A24F 47/008
131/329
2015/0150305 A1* 6/2015 Shenkal A24F 47/008
131/329
2017/0215478 A1* 8/2017 Harrison A24F 7/02
2018/0015242 A1* 1/2018 Goodman F22B 1/282
2018/0140015 A1* 5/2018 Carroll A24F 47/008

* cited by examiner

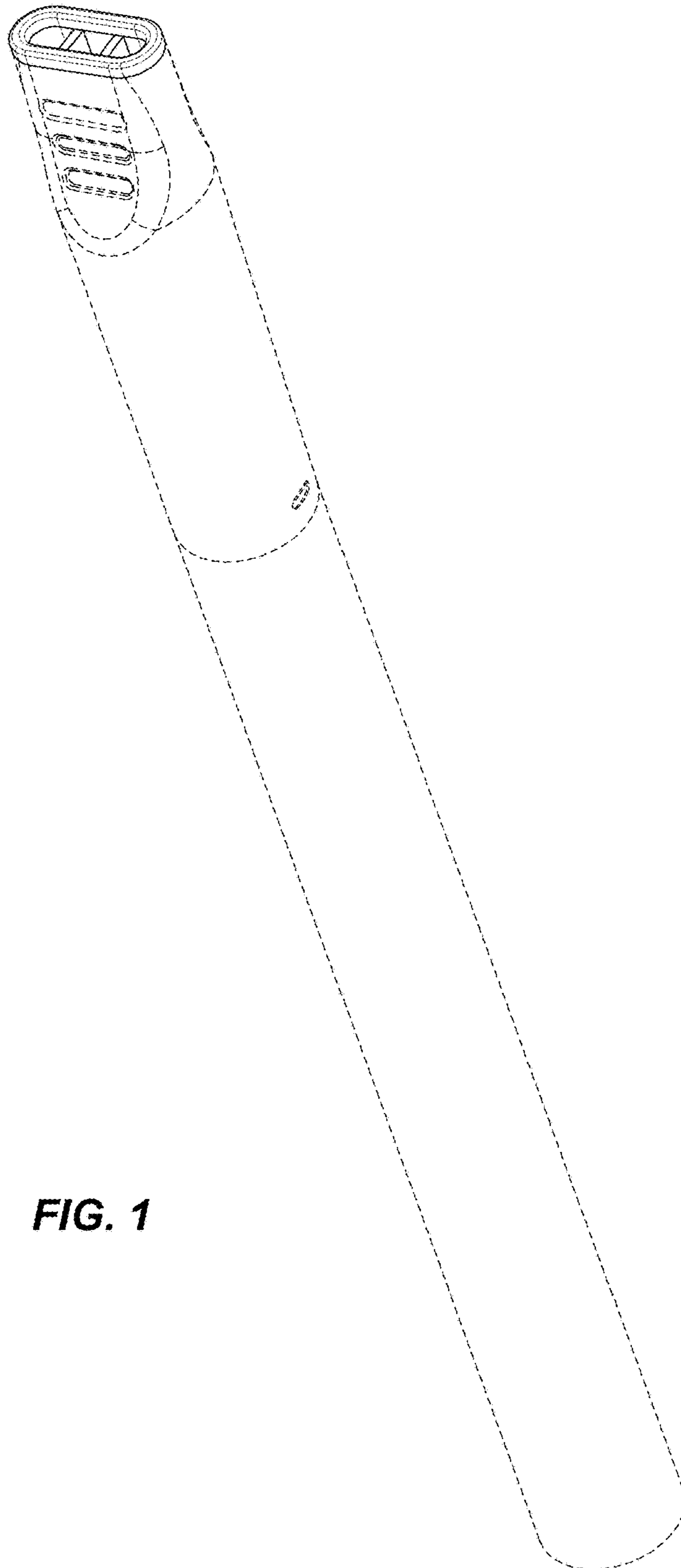


FIG. 1

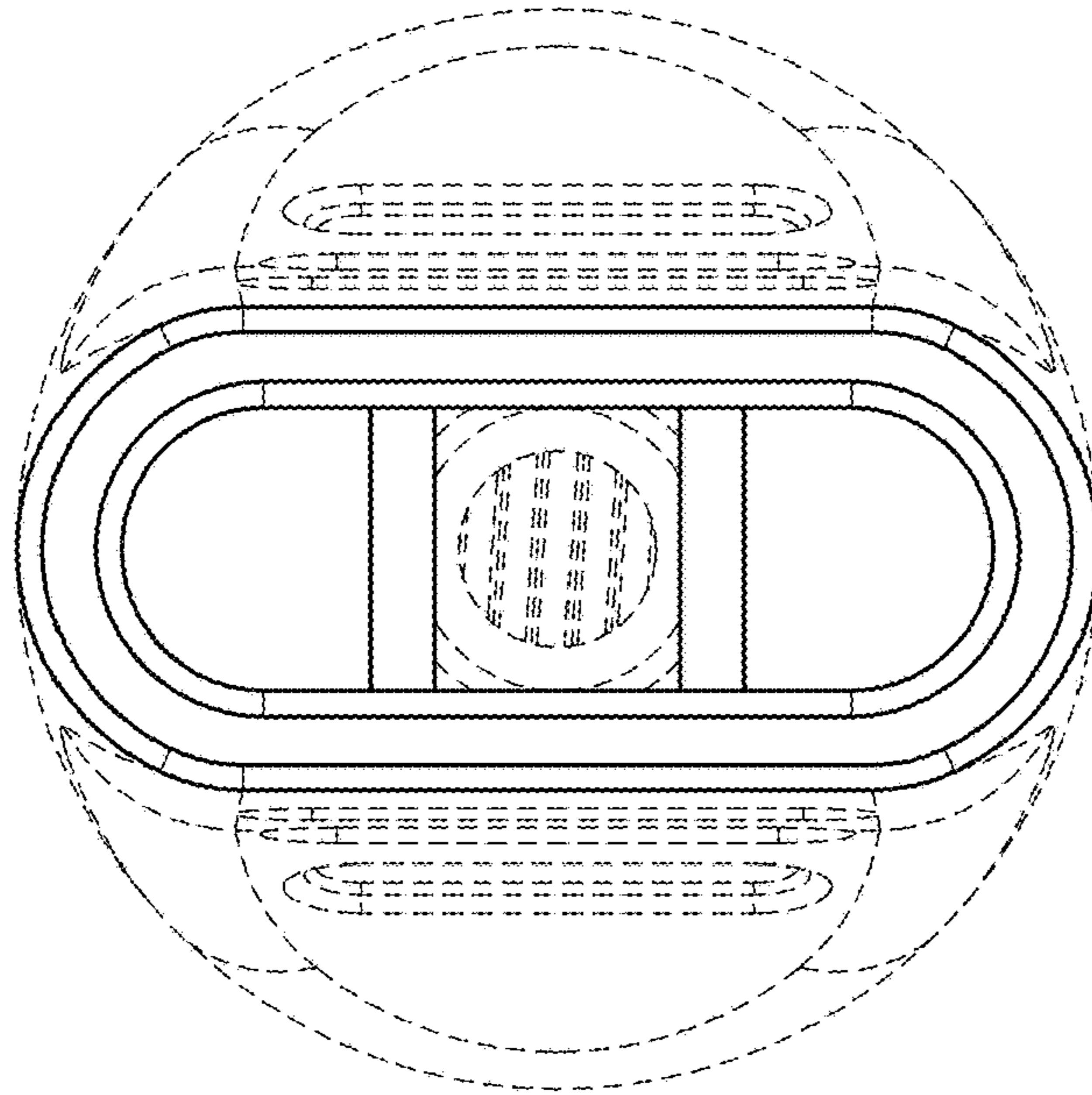


FIG. 2

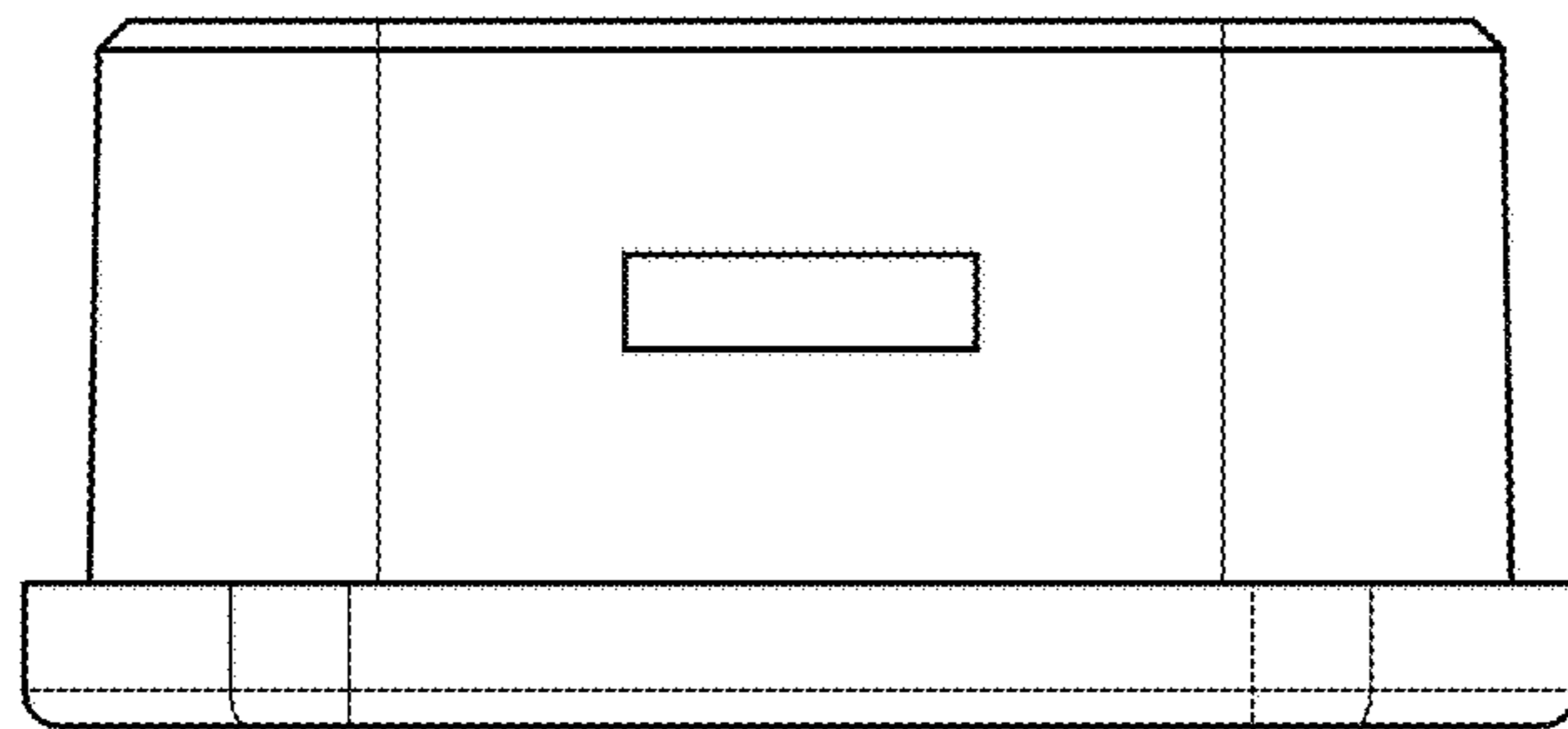


FIG. 3

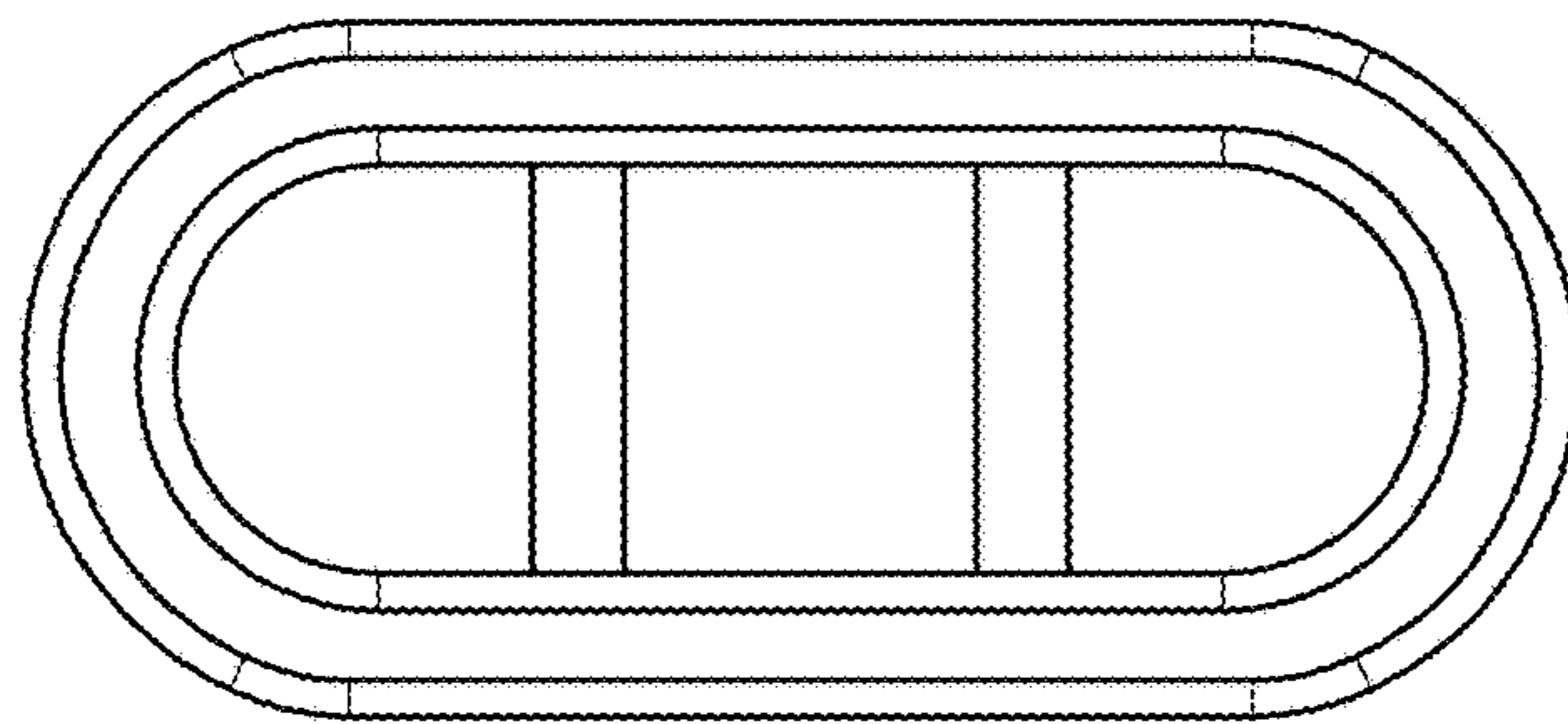


FIG. 4

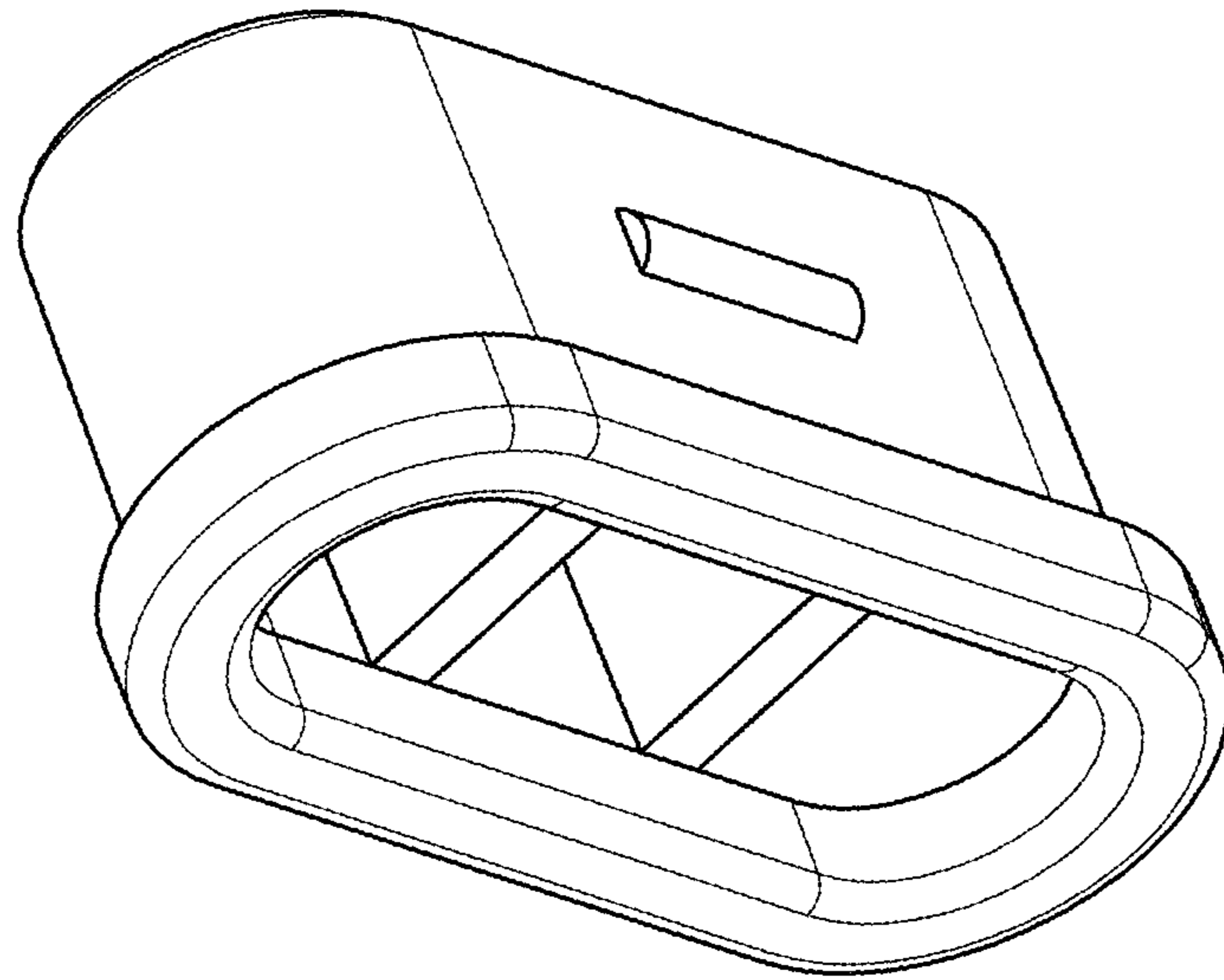


FIG. 5

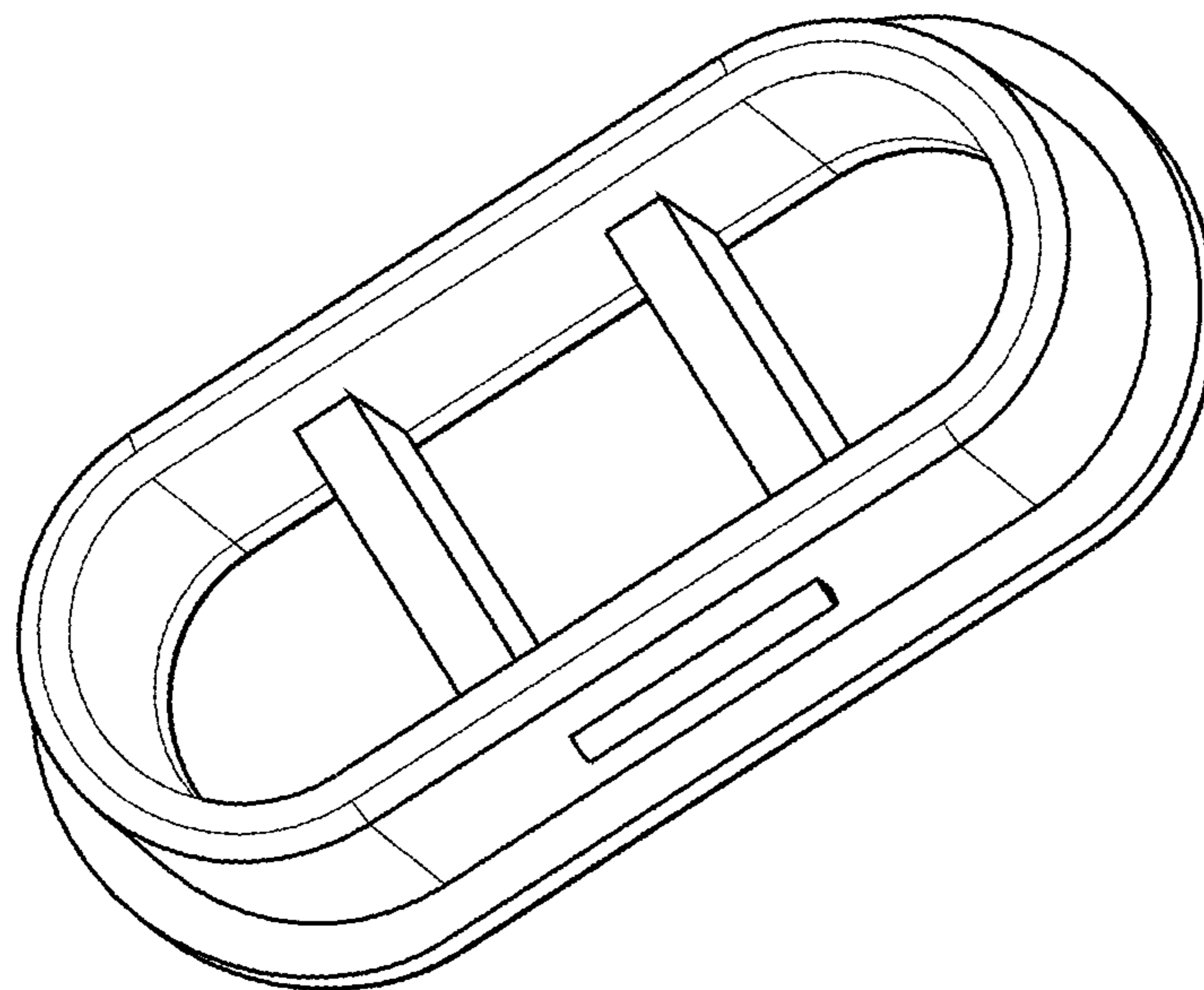


FIG. 6