



US00D843648S

(12) **United States Design Patent**
Santos

(10) **Patent No.:** **US D843,648 S**

(45) **Date of Patent:** **** Mar. 19, 2019**

(54) **PORTABLE VAPORIZATION DEVICE WITH
A REMOVABLE CONTAINER**

(71) Applicant: **Rodrigo Escorcio Santos**, Bethesda,
MD (US)

(72) Inventor: **Rodrigo Escorcio Santos**, Bethesda,
MD (US)

(**) Term: **15 Years**

(21) Appl. No.: **29/631,374**

(22) Filed: **Dec. 29, 2017**

(51) **LOC (11) Cl.** **27-02**

(52) **U.S. Cl.**
USPC **D27/162**

(58) **Field of Classification Search**
USPC D27/100, 101, 162, 163–194;
D19/115–123, 161–169; D24/110;
D23/366
CPC A24F 47/008; A24F 47/002; A24F 7/02;
A61M 15/06
See application file for complete search history.

(56) **References Cited**

U.S. PATENT DOCUMENTS

D653,390 S *	1/2012	Kaljura	D27/101
D653,802 S *	2/2012	Kaljura	D27/101
D655,753 S *	3/2012	Han	D19/117
D662,257 S *	6/2012	Alelov	D27/101
D668,291 S *	10/2012	Chen	D19/163
D669,122 S *	10/2012	Liu	D19/163
D678,943 S *	3/2013	Jiang	D19/167
D679,325 S *	4/2013	Liang	D19/167
D684,311 S *	6/2013	Liu	D27/101
D685,426 S *	7/2013	Liu	D19/169
D685,522 S *	7/2013	Potter	D27/101
D688,303 S *	8/2013	Jiang	D19/163
D691,324 S *	10/2013	Saliman	D27/101
D692,613 S *	10/2013	Morreale	D27/170
D695,449 S *	12/2013	Tucker	D27/101

D695,829 S *	12/2013	Hern	D19/168
D725,821 S *	3/2015	Levin	D27/101
D725,822 S *	3/2015	Liu	D27/101
D727,564 S *	4/2015	LaForge	D27/101
D728,154 S *	4/2015	Lavanchy	D27/100
D729,439 S *	5/2015	Scatterday	D27/101

(Continued)

Primary Examiner — Marissa J Cash

(74) *Attorney, Agent, or Firm* — Edell, Shapiro & Finnan,
LLC

(57) **CLAIM**

The ornamental design for a portable vaporization device with a removable container, as shown and described.

DESCRIPTION

FIG. 1 is a perspective view of a portable vaporization device with a removable container in accordance with the present invention;

FIG. 2 is another perspective view of the portable vaporization device with a removable container of FIG. 1, a cap including the removable container being removed in this front perspective view;

FIG. 3 is a top view of the portable vaporization device with a removable container of FIG. 1;

FIG. 4 is a bottom view of the portable vaporization device with a removable container of FIG. 1;

FIG. 5 is a right side view of the portable vaporization device with a removable container of FIG. 1;

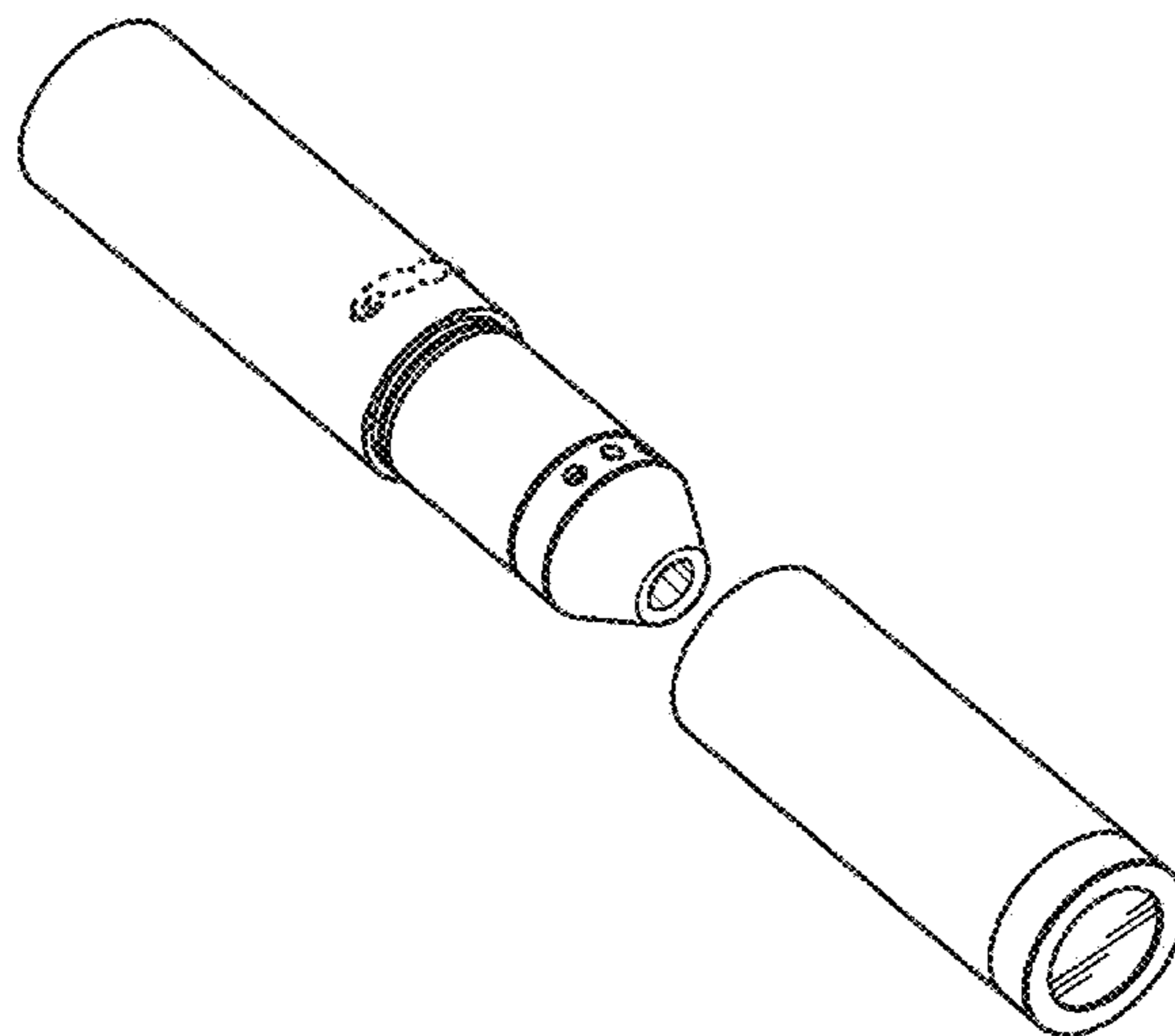
FIG. 6 is a left side view of the portable vaporization device with a removable container of FIG. 1;

FIG. 7 is a front view of the portable vaporization device with a removable container of FIG. 1; and,

FIG. 8 is a rear view of the portable vaporization device with a removable container of FIG. 1.

In the drawings, the broken lines depict portions of the portable vaporization device with a removable container only and form no part of the claimed design.

1 Claim, 5 Drawing Sheets



(56)

References Cited

U.S. PATENT DOCUMENTS

D732,239 S *	6/2015	Chen	D27/101	9,985,455 B2 *	5/2018	Alarcon	H02J 7/007
D739,597 S *	9/2015	Lavanchy	D27/100	D821,028 S *	6/2018	Tucker	D27/101
D739,598 S *	9/2015	Lavanchy	D27/100	9,986,769 B1 *	6/2018	Liu	A24F 47/008
D750,834 S *	3/2016	Wei	D27/101	9,999,246 B2 *	6/2018	Suzuki	A24F 47/008
D750,835 S *	3/2016	Wei	D27/101	D822,271 S *	7/2018	Eksouzian	D27/101
D753,874 S *	4/2016	Moreno Medina	D27/101	2011/0036346 A1 *	2/2011	Cohen	A61M 15/0065 128/200.14
D755,440 S *	5/2016	Collen	D27/163	2013/0284191 A1 *	10/2013	Scatterday	A61M 15/06 131/329
D756,031 S *	5/2016	Wu	D27/101	2013/0284194 A1 *	10/2013	Newton	A24F 47/008 131/329
D757,353 S *	5/2016	Nunnelly	D27/101	2013/0298905 A1 *	11/2013	Levin	A24F 47/008 128/202.21
D758,650 S *	6/2016	Wu	D27/101	2014/0041655 A1	2/2014	Barron et al.	
D758,651 S *	6/2016	Wu	D27/101	2014/0116455 A1 *	5/2014	Youn	A24F 47/008 131/329
D759,296 S *	6/2016	Abroff	D27/101	2014/0261494 A1 *	9/2014	Scatterday	A24F 47/008 131/329
D760,948 S *	7/2016	Eksouzian	D27/101	2015/0000682 A1 *	1/2015	Liu	A24F 47/008 131/329
D762,001 S *	7/2016	Liu	D27/101	2015/0027467 A1 *	1/2015	Liu	A24F 47/008 131/329
D763,501 S *	8/2016	McGarry	D27/101	2015/0114406 A1 *	4/2015	Newton	A24F 47/002 131/329
D768,915 S *	10/2016	Wright	D27/101	2015/0114408 A1 *	4/2015	Lord	A24F 47/008 131/329
D770,087 S *	10/2016	Di Bari	D27/101	2015/0136153 A1 *	5/2015	Lord	A24F 47/008 131/328
9,498,588 B2	11/2016	Benassayag et al.		2015/0136155 A1 *	5/2015	Verleur	A24F 47/008 131/328
D773,727 S *	12/2016	Eksouzian	D27/101	2015/0164141 A1 *	6/2015	Newton	A24F 47/008 131/329
D776,337 S *	1/2017	Levin	D27/101	2015/0164142 A1 *	6/2015	Li	F22B 1/288 131/329
D782,729 S *	3/2017	Wright	D27/101	2015/0196057 A1 *	7/2015	Wu	A24F 47/008 131/329
D784,609 S *	4/2017	Liu	D27/101	2015/0196058 A1 *	7/2015	Lord	A24F 47/008 131/329
D789,452 S *	6/2017	Matsumura	D19/163	2015/0196059 A1 *	7/2015	Liu	A24F 47/008 131/329
D792,021 S *	7/2017	Beer	D27/101	2016/0143362 A1 *	5/2016	Boldrini	A24F 47/008 29/611
D795,496 S *	8/2017	Beer	D27/101	2017/0027223 A1 *	2/2017	Eksouzian	A24F 47/008
D796,112 S *	8/2017	Lafferty	D27/101	2017/0127722 A1 *	5/2017	Davis	H05B 6/108
D797,369 S *	9/2017	Yamada	D27/101	2018/0140011 A1 *	5/2018	Sur	A24F 47/008
D799,112 S *	10/2017	Qiu	D27/101	2018/0140013 A1 *	5/2018	Sur	A24F 47/008
9,781,953 B2 *	10/2017	Verleur	A24F 47/008	2018/0140015 A1 *	5/2018	Carroll	A24F 47/008
D803,475 S *	11/2017	Scheiber	D27/101	2018/0160727 A1 *	6/2018	Bauer	A24F 1/16
D804,090 S *	11/2017	Verleur	D27/101				
D804,091 S *	11/2017	Fornarelli	D27/101				
D805,246 S *	12/2017	Fakhouri	D27/101				
D805,248 S *	12/2017	Chen	D27/170				
D805,684 S *	12/2017	Thuery	D27/101				
D806,310 S *	12/2017	McGarry	D27/101				
D806,942 S *	1/2018	Qiu	D27/101				
D807,578 S *	1/2018	Barkowski	D27/170				
D810,355 S *	2/2018	Liu	D27/101				
D812,807 S *	3/2018	Thuery	D27/101				
D813,445 S *	3/2018	Scott	D27/101				
D814,103 S *	3/2018	Levinson	D27/101				
D815,342 S *	4/2018	Sutton	D27/169				
D816,266 S *	4/2018	Thuery	D27/101				
D819,264 S *	5/2018	Mykhaylovych	D27/101				
9,963,260 B2 *	5/2018	Cadieux	A24F 47/008				
9,980,513 B2 *	5/2018	Chen	A24F 47/008				
9,980,522 B1 *	5/2018	Heidl	A24F 47/008				

* cited by examiner

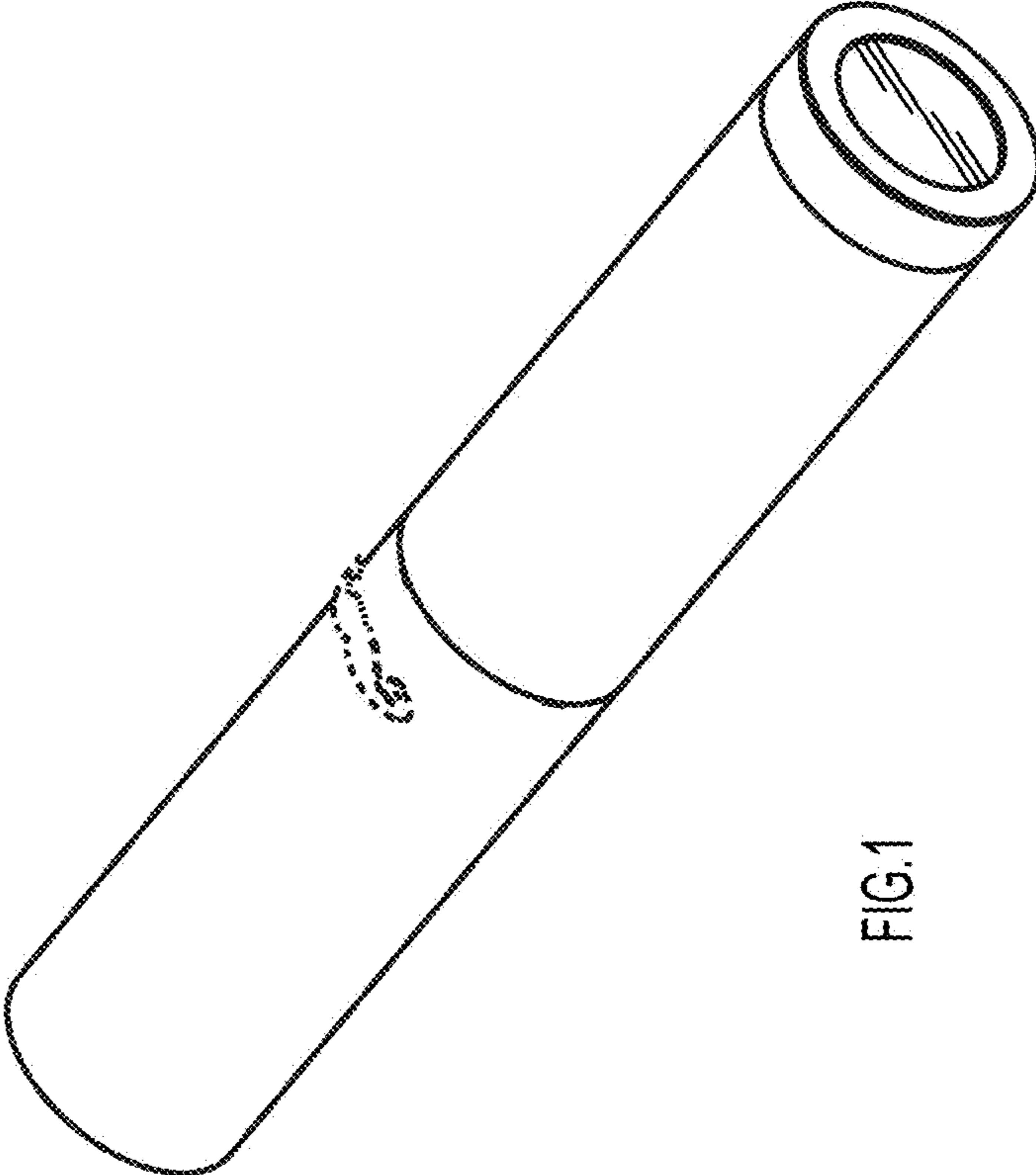


FIG.1

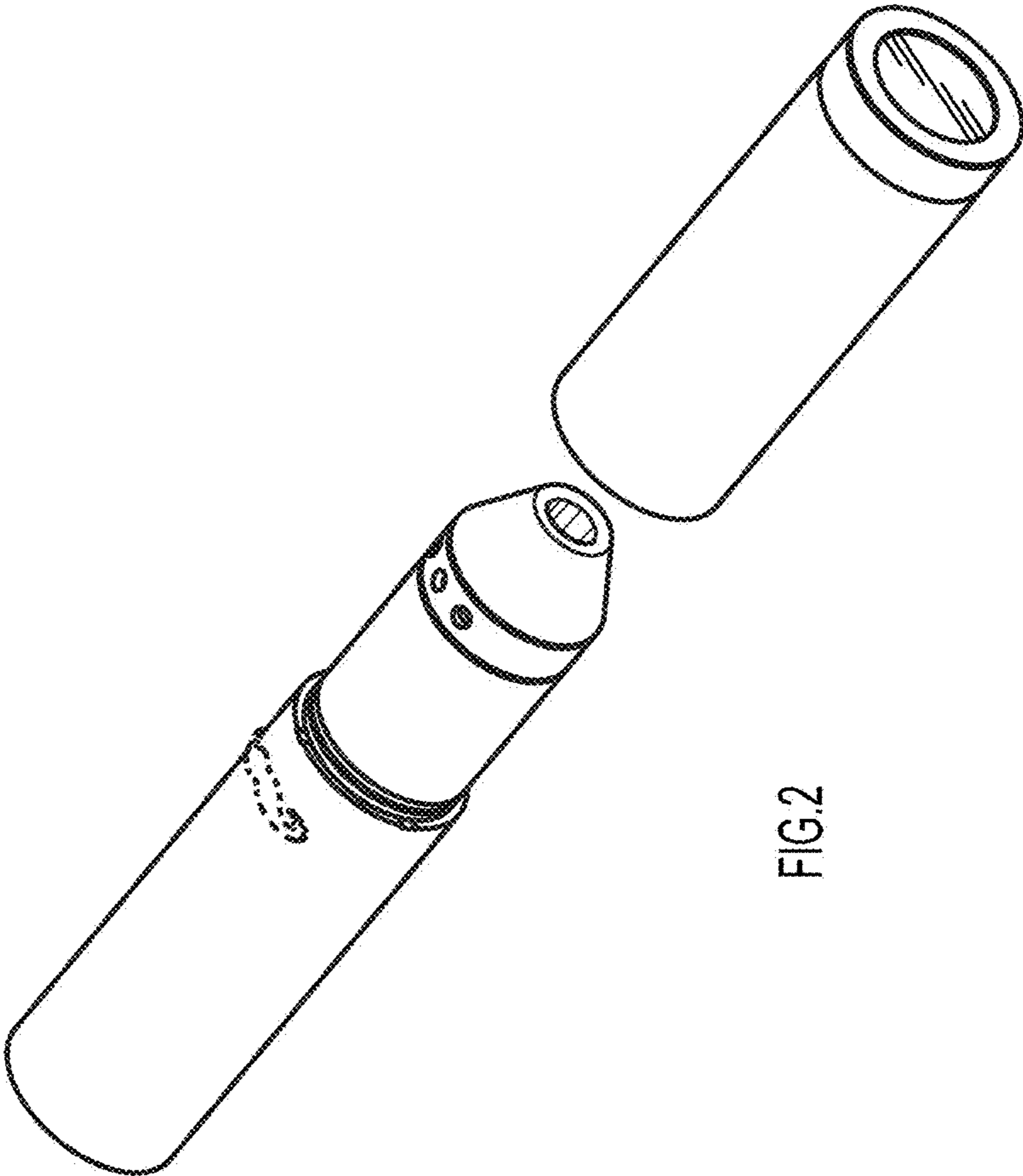


FIG. 2

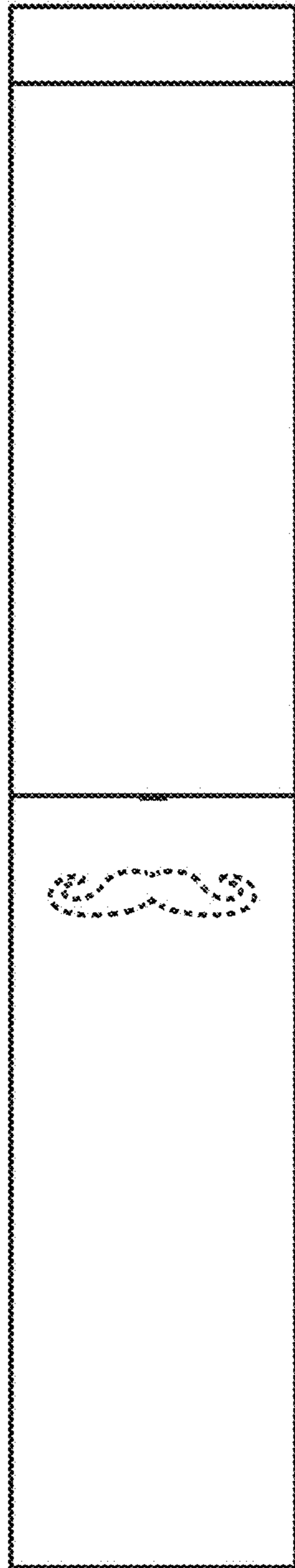


FIG.3

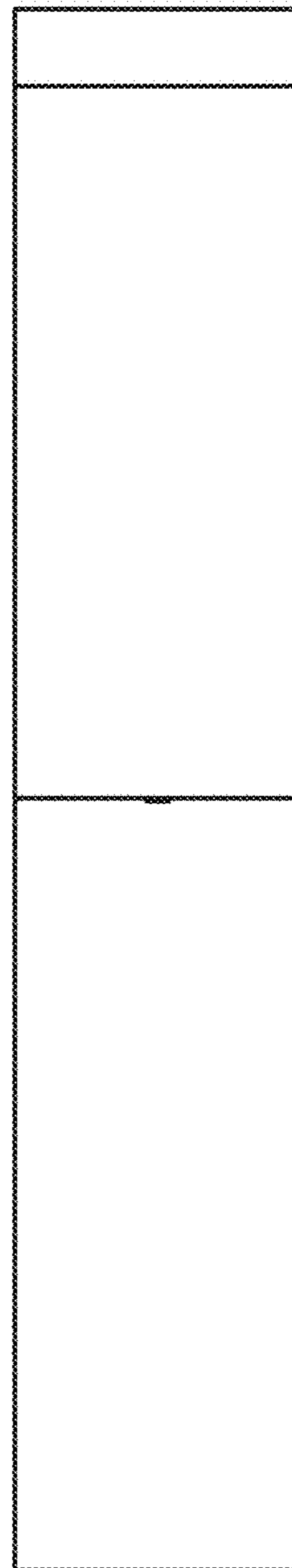


FIG.4

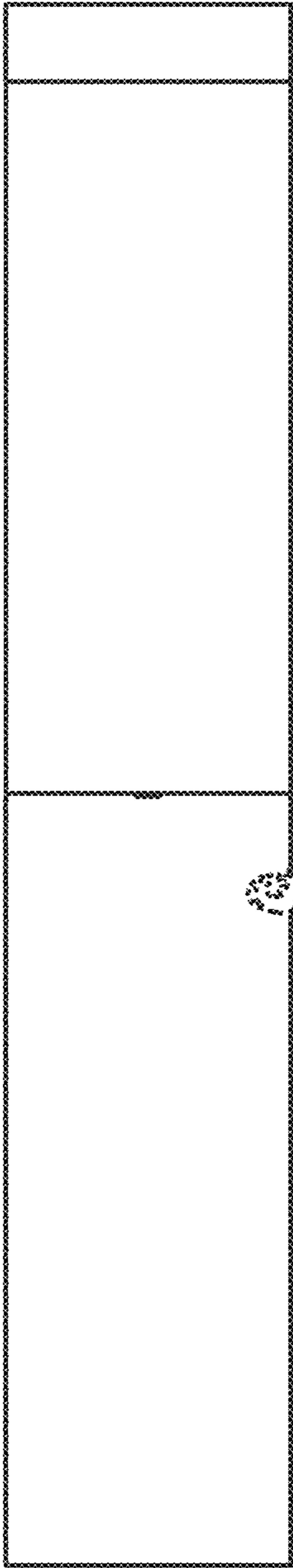


FIG.5

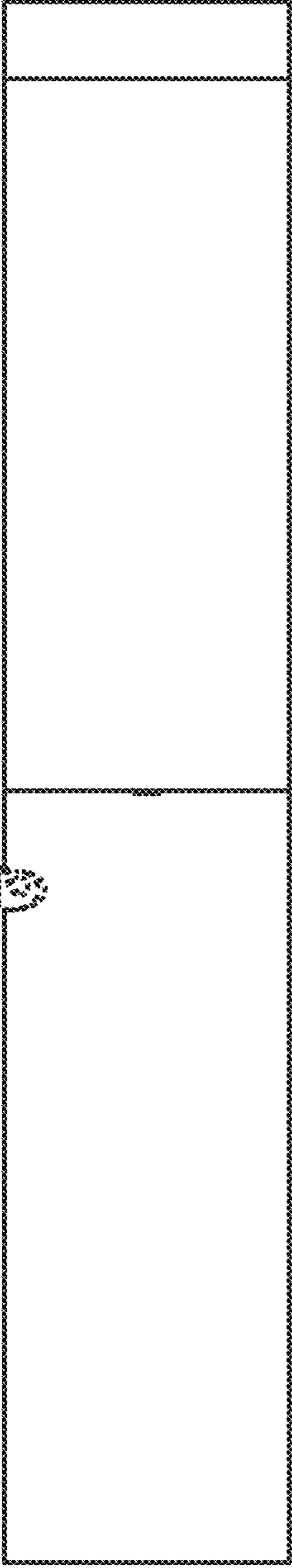


FIG.6

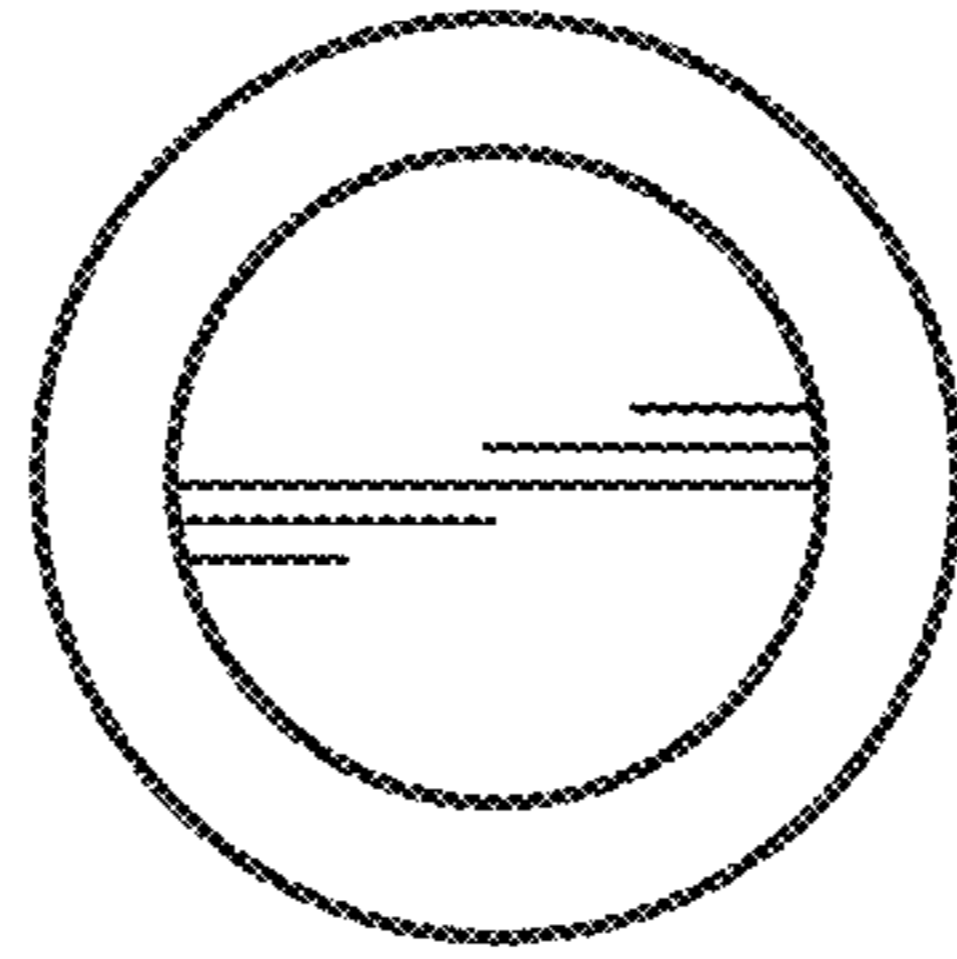


FIG.7

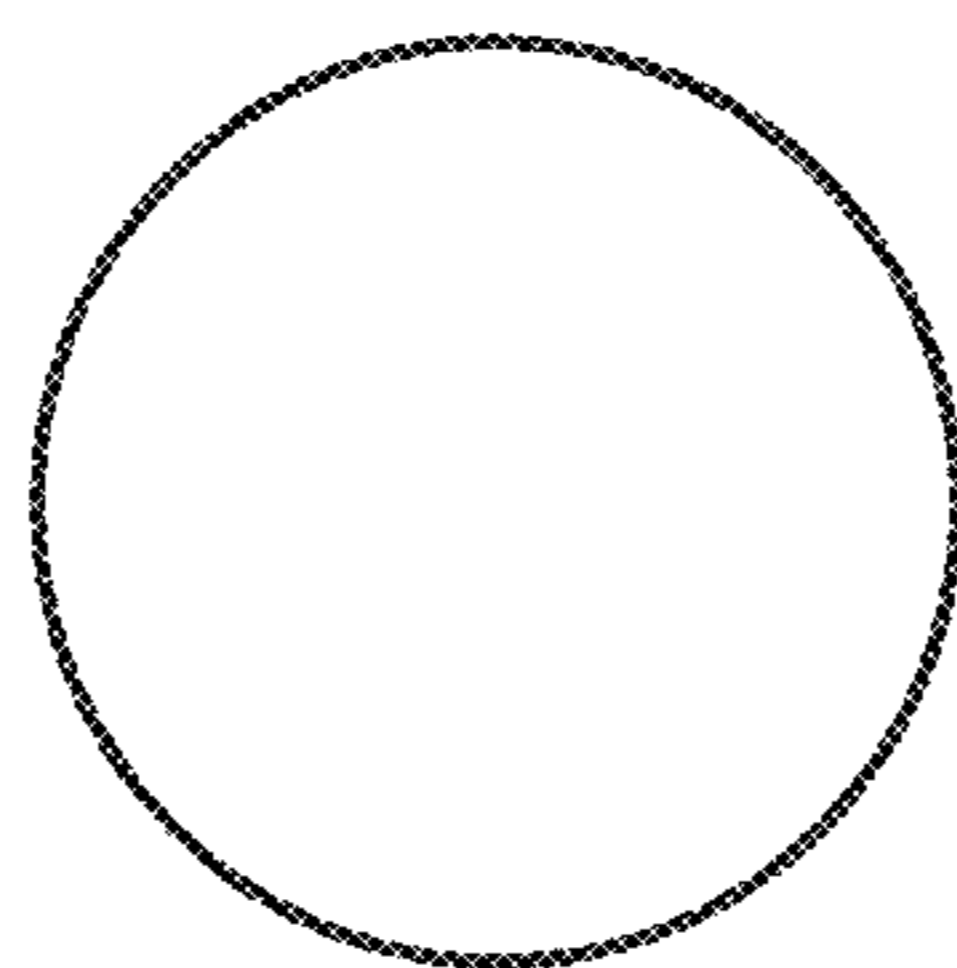


FIG.8