



US00D843646S

(12) **United States Design Patent**
Bao

(10) **Patent No.:** **US D843,646 S**

(45) **Date of Patent:** **** Mar. 19, 2019**

(54) **ARC LIGHTER**

(71) Applicant: **NINGBO YANGLING TECHNOLOGY CO., LTD**, Yuyao, Zhejiang (CN)

(72) Inventor: **Lingzhi Bao**, Zhejiang (CN)

(73) Assignee: **NINGBO YANGLING TECHNOLOGY CO., LTD**, Yuyao (CN)

(**) Term: **15 Years**

(21) Appl. No.: **29/634,183**

(22) Filed: **Jan. 18, 2018**

(51) **LOC (11) Cl.** **27-05**

(52) **U.S. Cl.**
USPC **D27/154**

(58) **Field of Classification Search**
USPC D27/100, 101, 139-194; D23/366; D7/416; D24/110; D19/101, 106, 115, D19/165, 195
CPC A24F 47/008; A24F 47/002; A24F 7/00; A24F 15/12; F23Q 2/164
See application file for complete search history.

(56) **References Cited**

U.S. PATENT DOCUMENTS

D241,645 S *	9/1976	Lanzi	D7/416
D267,820 S *	2/1983	Tomita	D7/416
D293,603 S *	1/1988	Matsumaru	D7/416
D294,329 S *	2/1988	Matsumaru	D7/416
D295,598 S *	5/1988	Takase	D7/416
D365,726 S *	1/1996	Hsu	D7/416
D389,699 S *	1/1998	Hsu	D7/416
5,738,507 A *	4/1998	Mifune	F23D 14/28 126/25 B
D403,206 S *	12/1998	Hsu	D7/416
D406,010 S *	2/1999	Tubby	D7/416
D410,819 S *	6/1999	Hsu	D7/416

D421,876 S *	3/2000	Hsu	D7/416
D424,373 S *	5/2000	Aronson, II	D7/416
D425,369 S *	5/2000	Sung	D7/416
D428,766 S *	8/2000	Galimond	D7/416
D429,445 S *	8/2000	Sung	D7/416

(Continued)

FOREIGN PATENT DOCUMENTS

CN	304676387	*	8/2017
CN	304515319	*	9/2017

(Continued)

OTHER PUBLICATIONS

Candle Arc Lighters by Flux LightersCandle Arc Lighters by Flux Lighters. dated 2018. found online [Dec. 19, 2018] <https://www.fluxlighters.com/collections/candle-arc-plasma-lighters>.*

(Continued)

Primary Examiner — Marissa J Cash

(57) **CLAIM**

The ornamental design for an arc lighter, as shown and described.

DESCRIPTION

FIG. 1 is a front elevational view of an arc lighter showing my new design;
FIG. 2 is a rear elevational view thereof;
FIG. 3 is a left side view thereof;
FIG. 4 is a right side view thereof;
FIG. 5 is a top plan view thereof;
FIG. 6 is a bottom plan view thereof;
FIG. 7 is a top, front and left side perspective view thereof; and,
FIG. 8 is a top, rear and right side perspective view thereof. The broken lines in the drawings illustrate portions of the arc lighter which form no part of the claimed design.

1 Claim, 7 Drawing Sheets



(56)

References Cited

U.S. PATENT DOCUMENTS

D435,397 S * 12/2000 Sung D7/416
 D437,732 S * 2/2001 Chevalier D7/416
 D440,821 S * 4/2001 Yu D7/416
 6,213,759 B1 * 4/2001 Sung F23Q 2/164
 431/153
 D442,433 S * 5/2001 Tubby D7/416
 D444,998 S * 7/2001 Inoue D7/416
 D450,534 S * 11/2001 Wang D7/416
 D453,890 S * 2/2002 Chevalier D7/416
 D458,512 S * 6/2002 Dijkstra D7/416
 D462,574 S * 9/2002 Chen D7/416
 D466,370 S * 12/2002 Kim D7/416
 D467,120 S * 12/2002 Yu D7/416
 D468,586 S * 1/2003 Saito D7/416
 D469,305 S * 1/2003 Saito D7/416
 D471,315 S * 3/2003 Kwok D27/154
 D472,765 S * 4/2003 Deffner D27/147
 D473,103 S * 4/2003 Sung D7/416
 D477,748 S * 7/2003 Deffner D7/416
 D480,266 S * 10/2003 Kim D7/416
 D482,932 S * 12/2003 Sher D7/416
 D488,671 S * 4/2004 Hsu D7/416
 D491,766 S * 6/2004 Hsu D7/416
 D493,666 S * 8/2004 Haffner D7/416
 D494,415 S * 8/2004 Sung D7/416
 D494,416 S * 8/2004 Sung D7/416
 D497,285 S * 10/2004 Qi D7/416
 6,887,072 B2 * 5/2005 Judeng F23Q 2/164
 126/406
 D509,620 S * 9/2005 Kwok D27/149
 D510,841 S * 10/2005 Hsu D7/416
 D515,734 S * 2/2006 Xu D27/149
 7,001,175 B2 * 2/2006 Yang F23Q 2/164
 431/153
 D537,557 S * 2/2007 Lin D27/147
 D538,968 S * 3/2007 Lin D27/147
 D554,430 S * 11/2007 Yang D7/416
 D564,839 S * 3/2008 Wang D7/416
 D565,899 S * 4/2008 Wang D7/416
 D569,687 S * 5/2008 Darnell D7/416
 D570,039 S * 5/2008 Huang D27/147
 7,563,094 B2 * 7/2009 Yang F23Q 2/167
 431/153
 D618,058 S * 6/2010 Tao D7/416
 D618,507 S * 6/2010 Galimand D7/416
 D665,226 S * 8/2012 Luo D7/416
 D665,626 S * 8/2012 Luo D7/416
 D729,006 S * 5/2015 Hu D7/416
 D729,574 S * 5/2015 Hu D7/416
 D729,575 S * 5/2015 Hu D7/416
 D759,298 S * 6/2016 Ichikawa D27/141
 D784,610 S * 4/2017 Bosch D27/101
 D814,864 S * 4/2018 Austin, III D7/416
 D835,336 S * 12/2018 Luo D27/154
 2002/0094500 A1 * 7/2002 Tse F23Q 2/16
 431/153

2003/0124476 A1 * 7/2003 Chung Yang F23Q 2/164
 431/153
 2006/0121401 A1 * 6/2006 Angevine F23Q 2/16
 431/344
 2007/0009843 A1 * 1/2007 Di Paolo F23Q 2/164
 431/153
 2008/0213712 A1 * 9/2008 Huang F23Q 2/164
 431/153

FOREIGN PATENT DOCUMENTS

CN 304741018 * 1/2018
 CN 304745725 * 1/2018
 EM 004359982-0001 * 9/2017
 EM 004359982-0002 * 9/2017
 EM 004359982-0003 * 9/2017
 EM 00043599882-0004 * 9/2017
 EM 004672822-0001 * 1/2018
 EM 004672822-0003 * 1/2018

OTHER PUBLICATIONS

Edison Candle Arc Lighter by Edison Arc . on amazon.oldest review dated Aug. 29, 2016. found online [Dec. 19, 2018] https://www.amazon.com/Edison-Candle-Arc-Lighter-silver/product-reviews/B011QLLBD4/ref=cm_cr_getr_d_paging_btm_3?ie=UTF8&reviewerType=all_reviews&sortBy=recent&pageNumber=3.
 Electric Arc Lighter by Best Reviews. dated 2018. found online [Dec. 19, 2018] <https://shop.bestreviews.com/products/electric-arc-lighter-geu-windproof-usb-rechargeable-flameless-plasma-beam-lighter-with-360-flexible-long-neck-and-safety-switch-candle-li?cid=277776167&aid=1208363384103937&eid=&tid=pla-457912233298118>.
 Electric Double Arc Lighter by Trofoty. dated May 9, 2018. foun donline [Dec. 19, 2018] <http://whataboutthepot.com/product/electric-double-arc-lighter-trofoty-usb-rechargeable-candle-lighter-windproof-flameless-spark-cigarette-lighter-with-360flexible-neck-tube-safety-for-home-kitchen-bbq-camping-stove-grill/>.
 Hot Best Quality Arc Spark Electronic Plasma USB Rechargeable lighter YL-A00 by alibaba. dated 2018. found online [Dec. 19, 2018] https://yanglinglighter.en.alibaba.com/product/60799448634-805238185/Hot_Best_Quality_Arc_Spark_Electronic_Plasma_USB_Rechargeable_lighter_YL_A002.html?spm=a2700.icbuShop.82.7.60cb62dcJ4wm.
 2018 hot selling Electric Rechargeable Flameless ARC USB Lighter by alibaba. dated 2018. found online [Dec. 19, 2018] https://yanglinglighter.en.alibaba.com/product/60803485236-807460740/2018_hot_selling_Electric_Rechargeable_Flameless_ARC_USB_LIGHTER.html?spm=a2700.icbuShop.82.9.60cb62dcJ4wmZn.
 2018 Wholesale mini USB rechargeable cigarette ARC Lighter by alibaba. dated 2018. found online [Dec. 19, 2018] https://yanglinglighter.en.alibaba.com/product/60805950061-807460741/2018_Wholesale_mini_USB_rechargeable_cigarette_ARC_LIGHTER.html?spm=a2700.icbuShop.82.4.60cb62dcJ4wmZn.

* cited by examiner

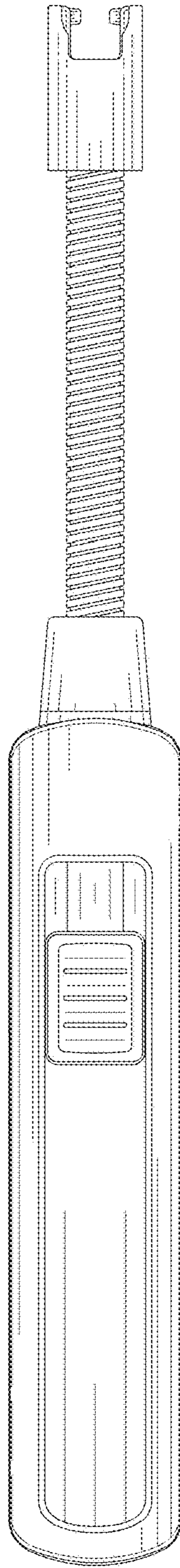


FIG. 1

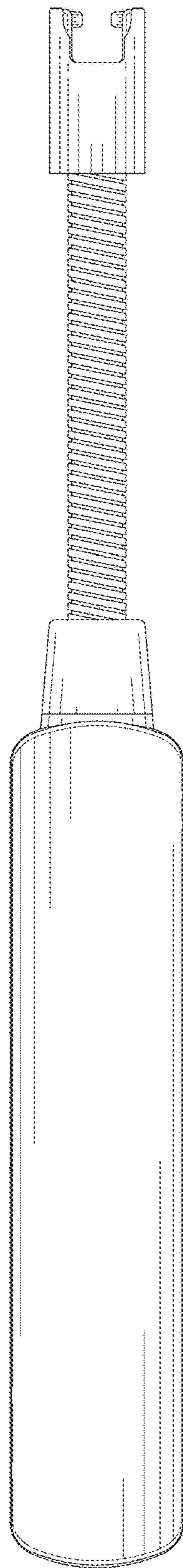


FIG. 2

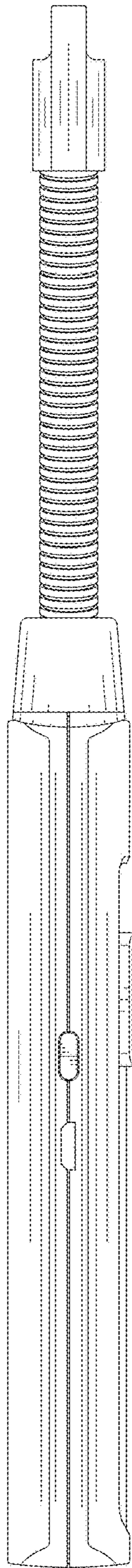


FIG. 3

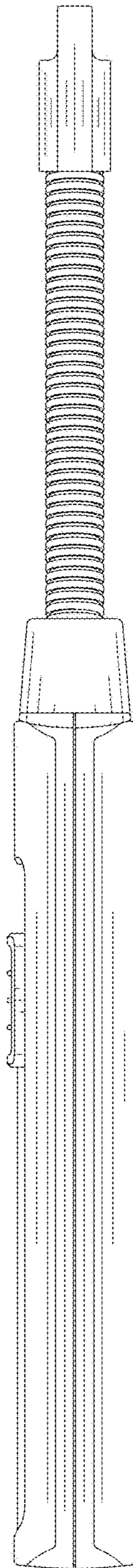


FIG. 4

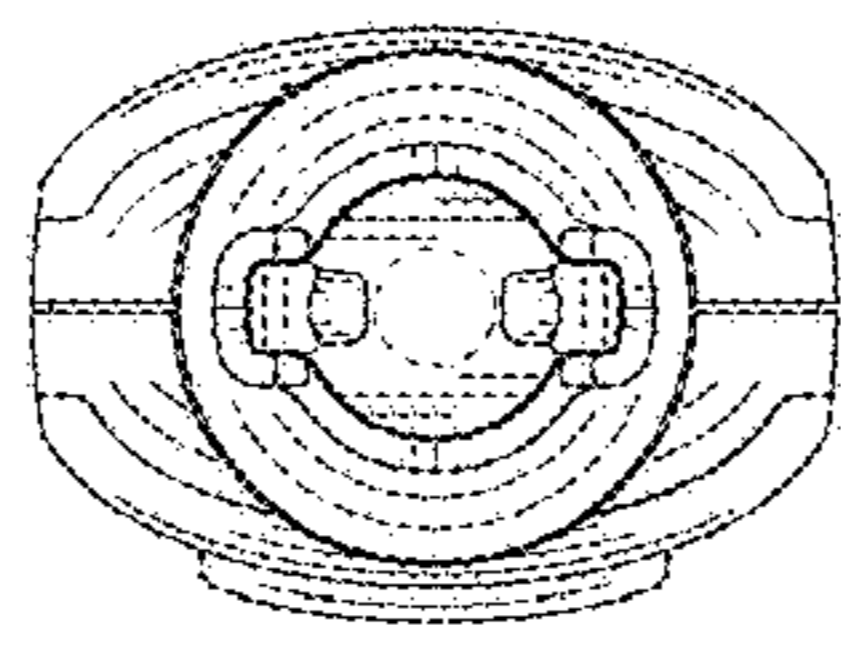


FIG. 5

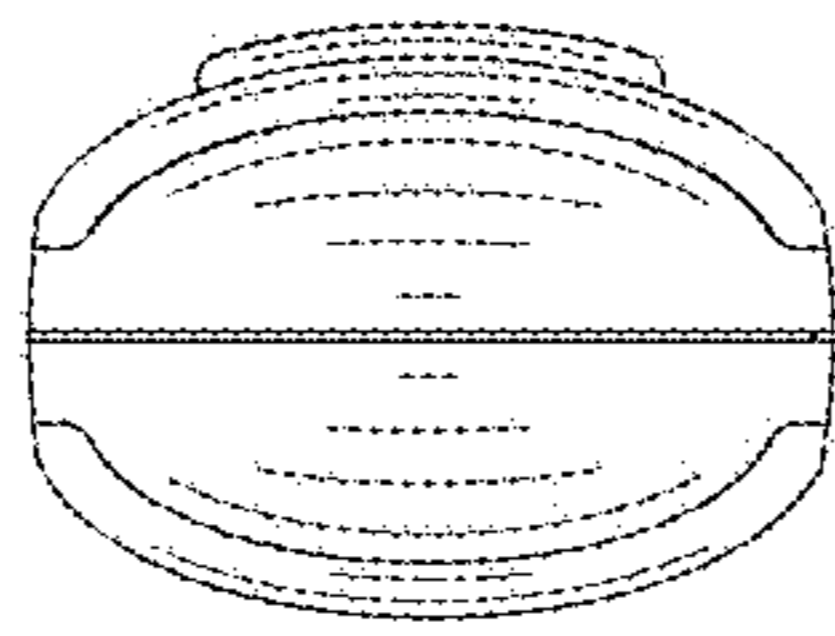


FIG. 6

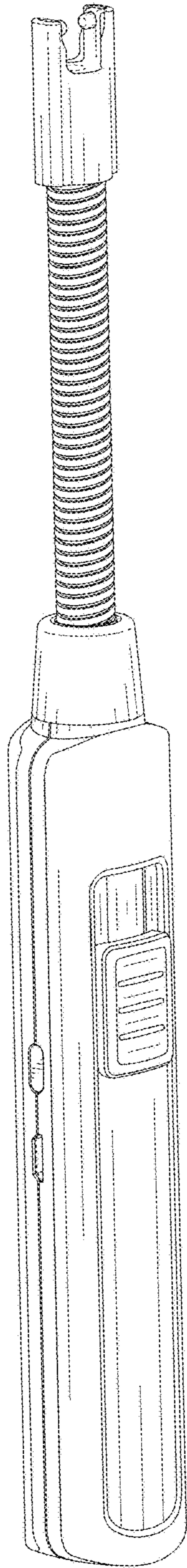


FIG. 7

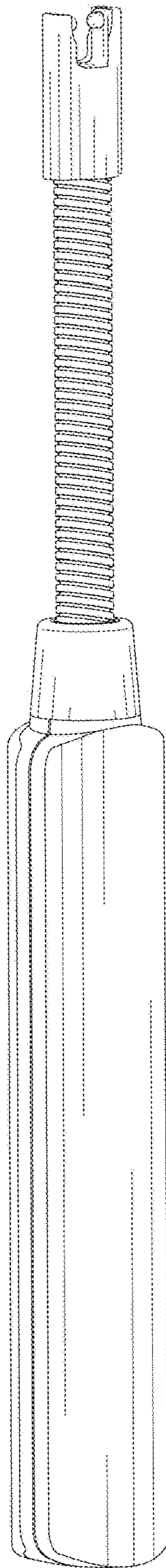


FIG. 8