



US00D843645S

(12) **United States Design Patent**
Mucaro

(10) **Patent No.:** **US D843,645 S**
(45) **Date of Patent:** **** Mar. 19, 2019**

(54) **LIGHTER**

(71) Applicant: **DaVinci II CSJ, LLC**, Fairfield, NJ
(US)

(72) Inventor: **Damian Mucaro**, Hackensack, NJ (US)

(73) Assignee: **DaVinci II CSJ, Inc.**, Fairfield, NJ
(US)

(**) Term: **15 Years**

(21) Appl. No.: **29/617,276**

(22) Filed: **Sep. 13, 2017**

(51) **LOC (11) Cl.** **27-05**

(52) **U.S. Cl.**
USPC **D27/141**

(58) **Field of Classification Search**
USPC D27/139-144, 148, 152-161; D9/687,
D9/694, 692, 682; 431/350, 353
CPC F23Q 7/16; F23Q 7/14; F23Q 7/18; F23Q
7/22; F23Q 2/28; F23Q 2/00; F23Q 2/02;
F23Q 2/16; F23Q 2/161-2/163; F23Q
2/167
See application file for complete search history.

(56) **References Cited**

U.S. PATENT DOCUMENTS

D265,430 S * 7/1982 Fradkoff D27/153
D364,245 S * 11/1995 Anderson D27/141

D498,330 S * 11/2004 Koike D27/157
D515,732 S * 2/2006 Smith D27/143
D527,140 S * 8/2006 Harel D27/141
D539,975 S * 4/2007 Park D27/143
D551,800 S * 9/2007 Smith D27/157
D552,298 S * 10/2007 Smith D27/157
D622,902 S * 8/2010 An D27/154
D634,889 S * 3/2011 Park D27/143
D741,723 S * 10/2015 Staab D9/687
D742,063 S * 10/2015 Recio D27/141
D818,637 S * 5/2018 Ringel D27/141

* cited by examiner

Primary Examiner — Susan Bennett Hattan

Assistant Examiner — Rebecca Tsehaye

(74) *Attorney, Agent, or Firm* — Cooper & Dunham, LLP

(57) **CLAIM**

The ornamental design for a lighter, as shown and described.

DESCRIPTION

FIG. 1 is a front perspective view of a lighter in accordance with the present design;
FIG. 2 is a front view thereof;
FIG. 3 is a back view thereof;
FIG. 4 is a left side view thereof;
FIG. 5 is a right side view thereof;
FIG. 6 is a top view thereof; and,
FIG. 7 is a bottom view thereof.

The broken lines shown in the drawings depict portions of the lighter that form no part of the claimed design.

1 Claim, 4 Drawing Sheets

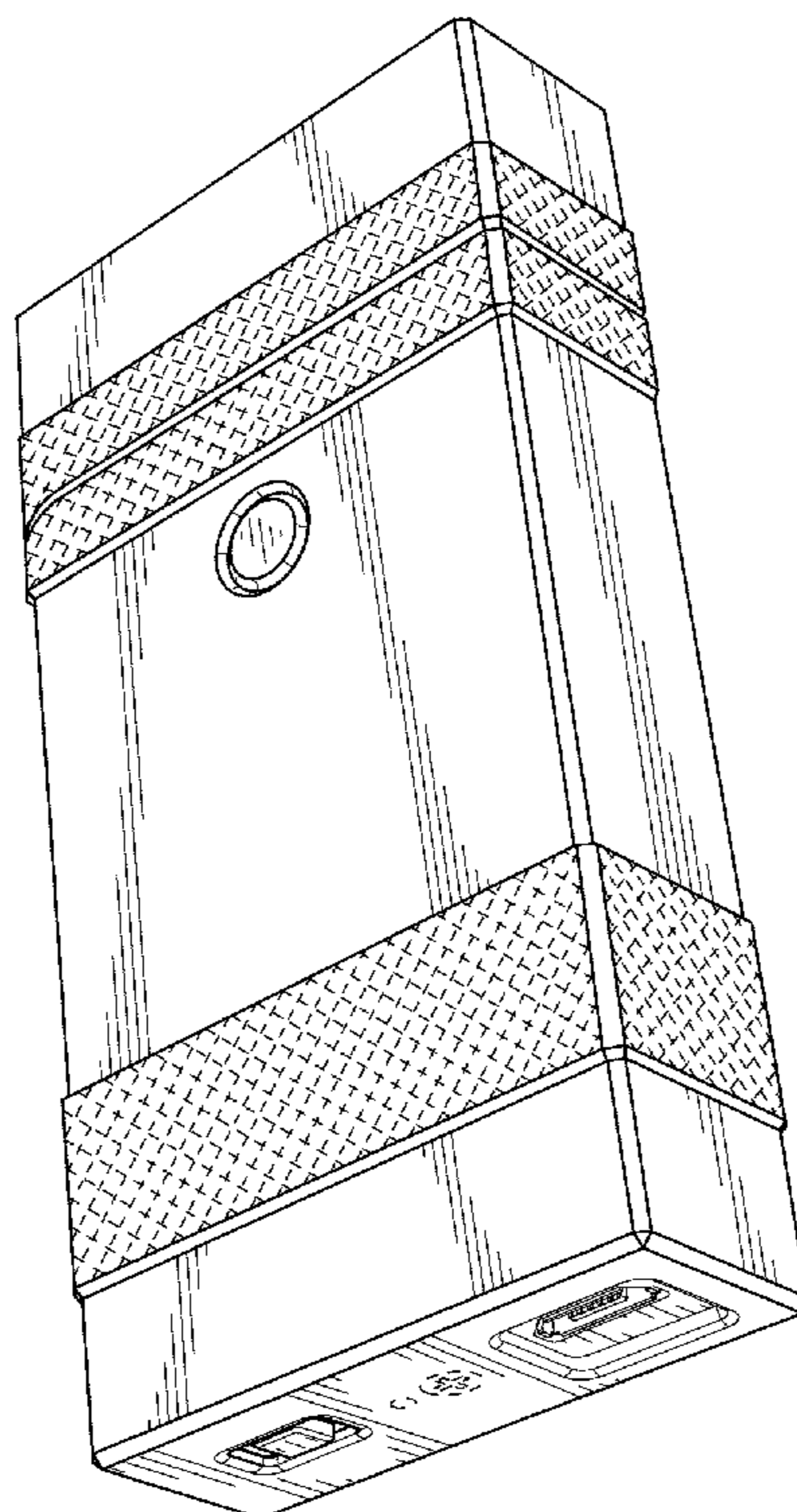


FIG. 1

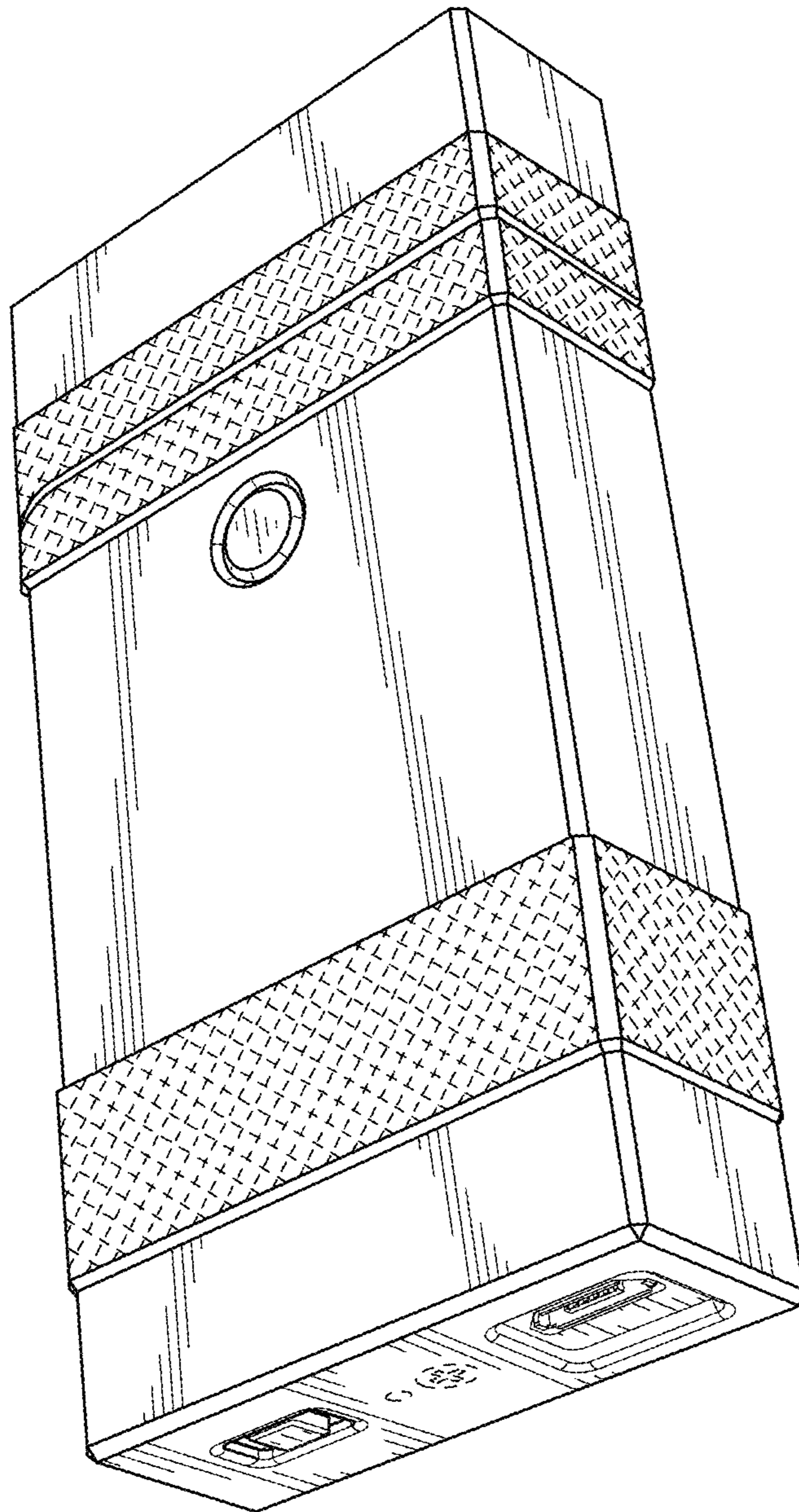


FIG. 3

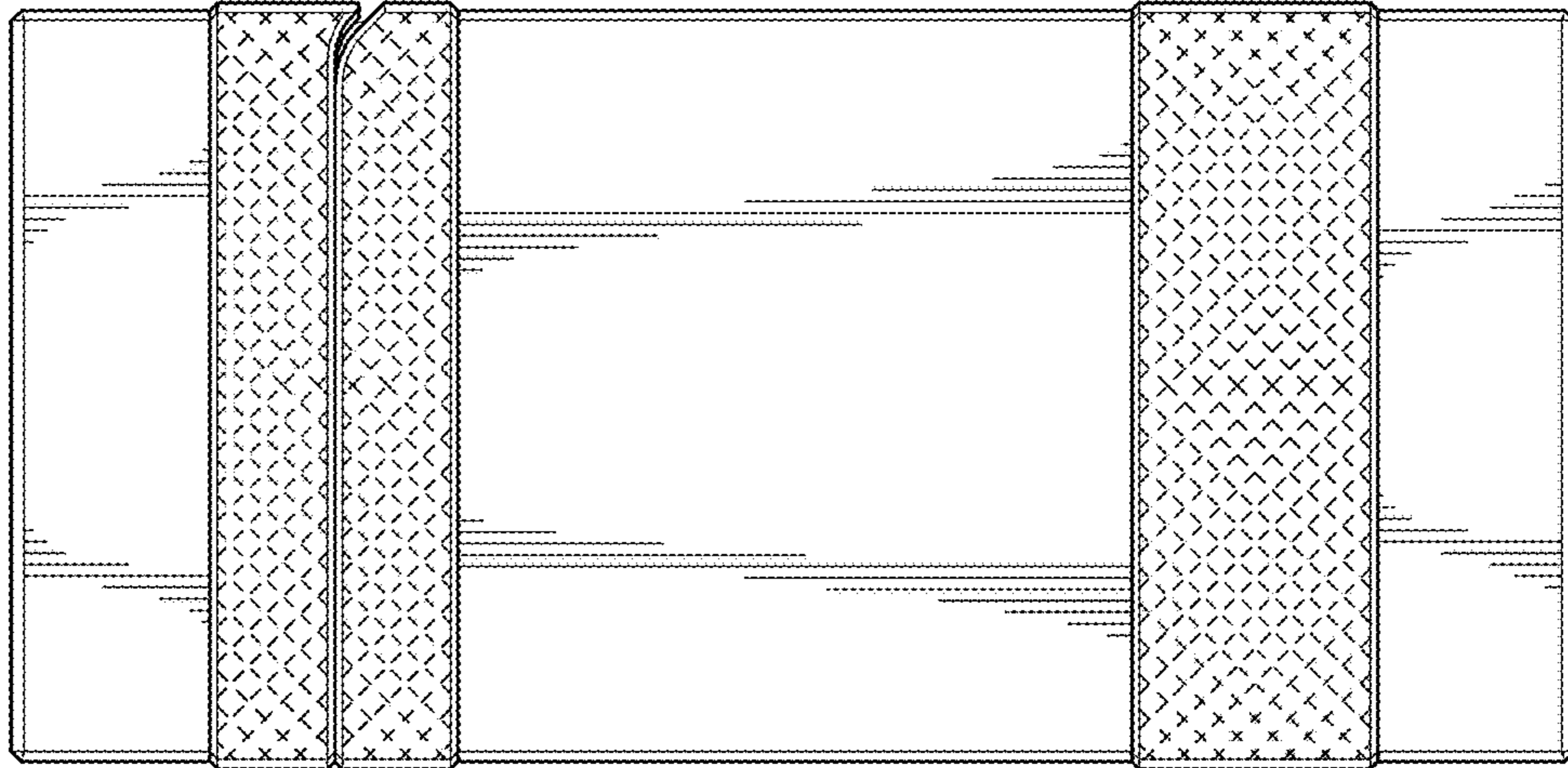


FIG. 2

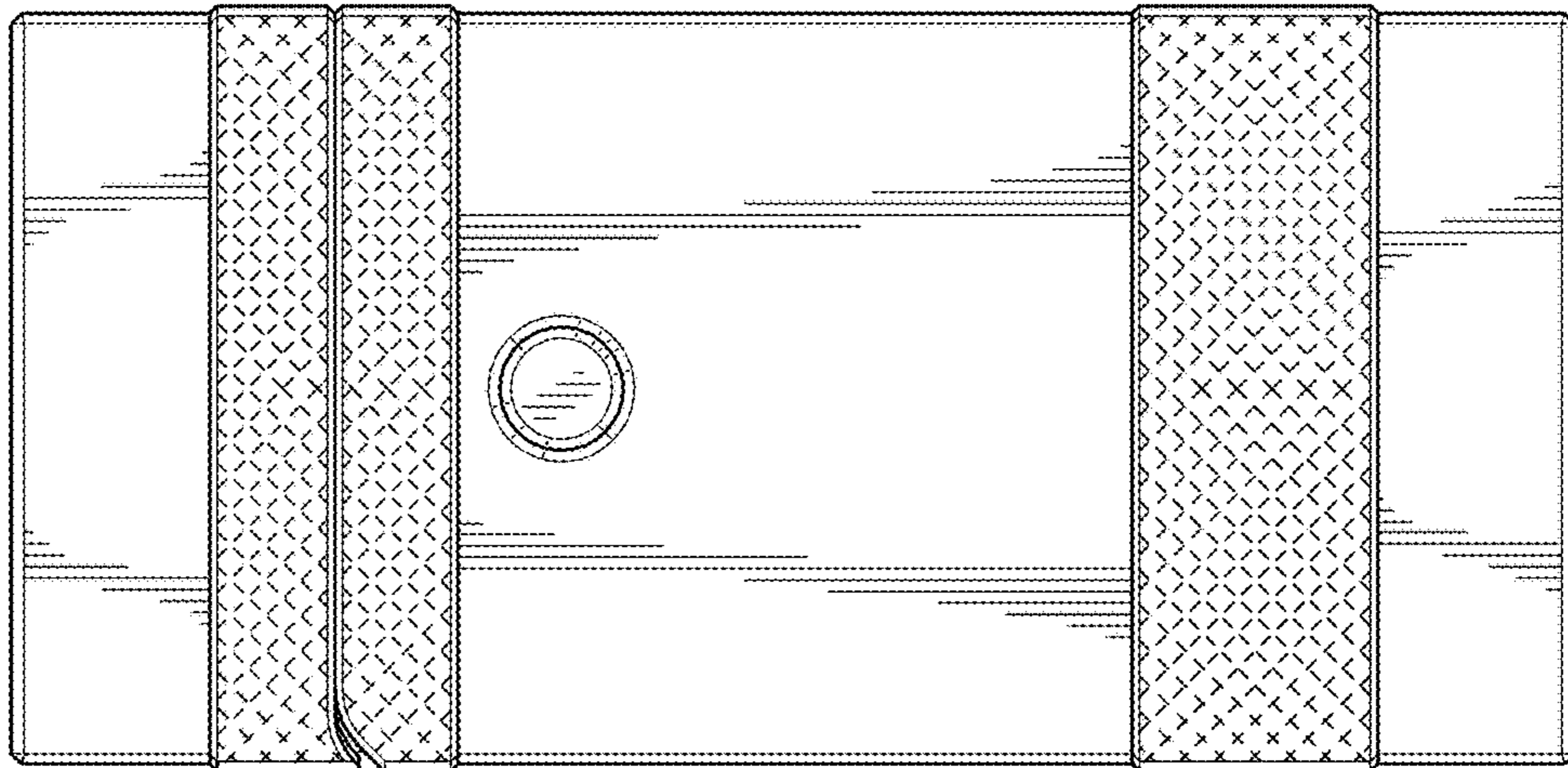


FIG. 4

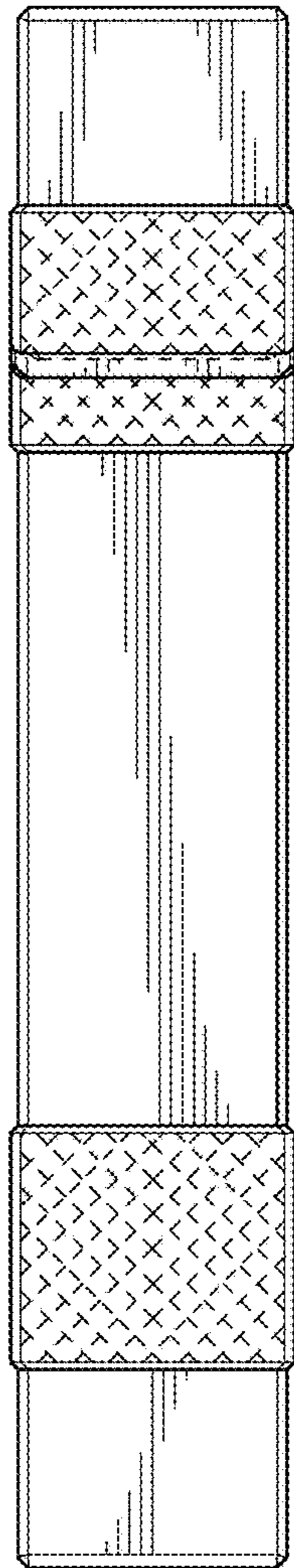


FIG. 5

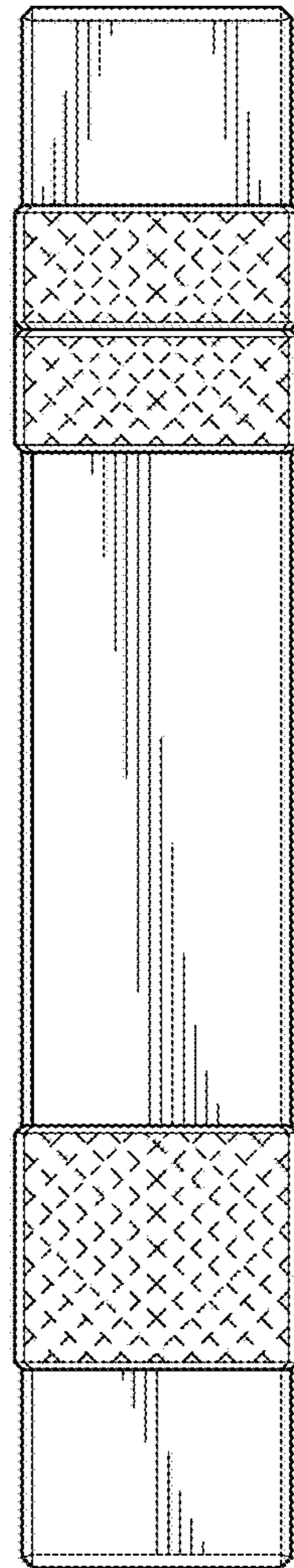


FIG. 6

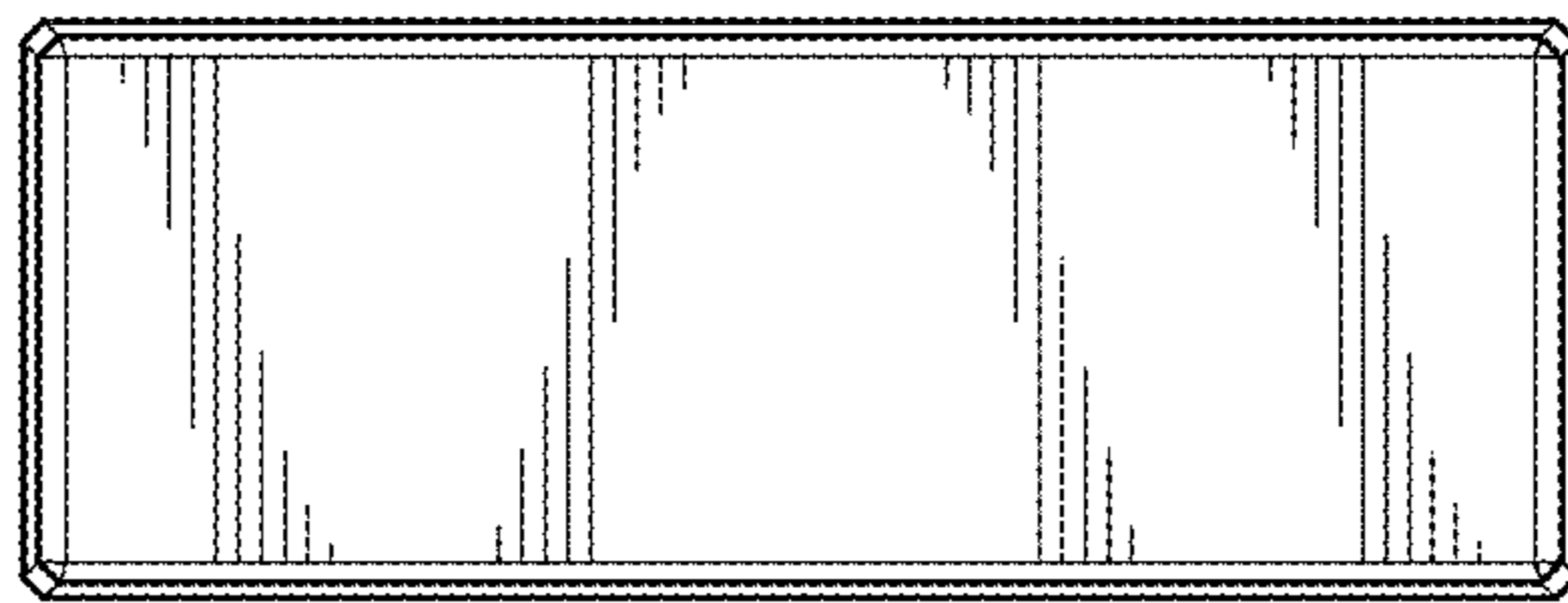


FIG. 7

