



US00D843644S

(12) **United States Design Patent**
Qiu

(10) **Patent No.:** **US D843,644 S**

(45) **Date of Patent:** **** Mar. 19, 2019**

- (54) **ELECTRONIC CIGARETTE**
- (71) Applicant: **Changzhou Patent Electronic Technology Co., LTD**, Changzhou, Jiangsu (CN)
- (72) Inventor: **Weihua Qiu**, Jiangsu (CN)
- (73) Assignee: **CHANGZHOU PATENT ELECTRONIC TECHNOLOGY CO., LTD**, Changzhou, Jiangsu (CN)

- D509,623 S * 9/2005 Mitten D27/189
- D532,927 S * 11/2006 Sann D27/101
- D539,474 S * 3/2007 Counts D27/189
- D667,874 S * 9/2012 Chen D19/166
- D695,825 S * 12/2013 Jiang D19/163
- D698,863 S * 2/2014 Ryan D19/123
- D718,492 S * 11/2014 Albanese D27/101
- D721,202 S * 1/2015 Liu D27/101
- D725,310 S * 3/2015 Eksouzian D27/101
- D735,472 S * 8/2015 Waltrip D3/229
- D752,284 S * 3/2016 Doster D27/189
- D768,920 S * 10/2016 Jones D27/189
- D776,338 S * 1/2017 Lomeli D27/163

(Continued)

(**) Term: **15 Years**

(21) Appl. No.: **29/628,993**

(22) Filed: **Dec. 10, 2017**

Related U.S. Application Data

(63) Continuation-in-part of application No. 29/614,999, filed on Aug. 24, 2017, now Pat. No. Des. 832,499.

(30) **Foreign Application Priority Data**

Jun. 9, 2017 (CN) 2017 3 0234101

(51) **LOC (11) Cl.** **27-01**

(52) **U.S. Cl.**

USPC **D27/101**

(58) **Field of Classification Search**

USPC D27/100, 101, 162, 163–194;

D19/115–123, 161–169; D24/110;

D23/366

CPC A24F 47/008; A24F 47/002; A24F 7/02;

A61M 15/06

See application file for complete search history.

(56) **References Cited**

U.S. PATENT DOCUMENTS

D292,324 S * 10/1987 Decker D27/170

D313,085 S * 12/1990 Eisenbraun D27/142

Primary Examiner — Marissa J Cash

(74) *Attorney, Agent, or Firm* — Novick, Kim & Lee, PLLC; Allen Xue; Hyun Woo Shin

(57) **CLAIM**

I claim the ornamental design for an electronic cigarette, as shown and described.

DESCRIPTION

FIG. 1 is a top, front, left side perspective view of an electronic cigarette, showing my new design;

FIG. 2 is a bottom, rear, right side perspective view thereof;

FIG. 3 is a front elevational view thereof;

FIG. 4 is a rear elevational view thereof;

FIG. 5 is a left side elevational view thereof;

FIG. 6 is a right side elevational view thereof;

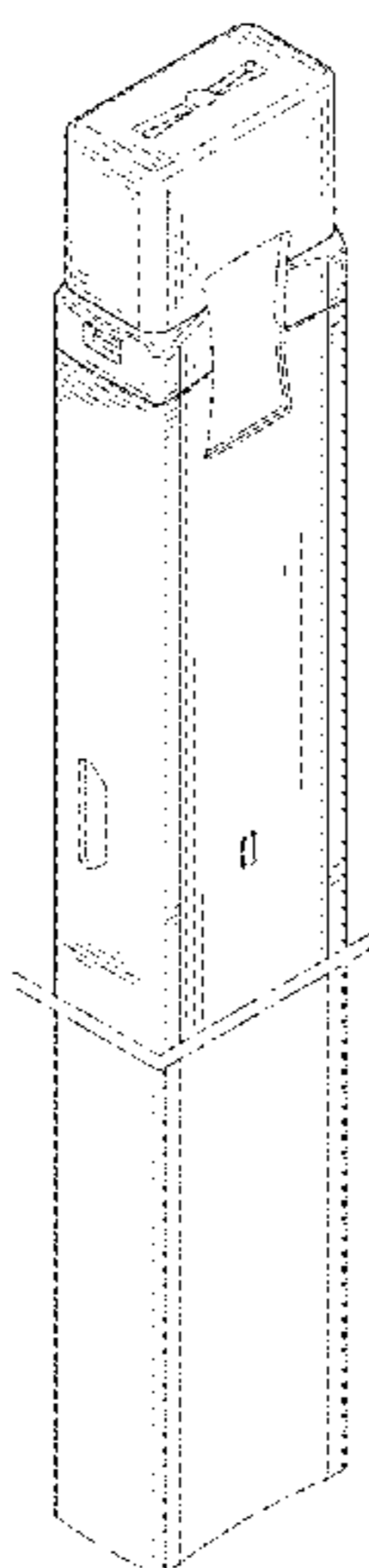
FIG. 7 is a top plan view thereof; and,

FIG. 8 is a bottom plan view thereof.

The broken lines in the drawings show portions of the electronic cigarette which form no part of the claimed design.

The drawings also include a symbolic break depicted with double broken lines and the appearance of any portion of the electronic cigarette between the double break lines forms no part of the claimed design.

1 Claim, 8 Drawing Sheets



(56)

References Cited

U.S. PATENT DOCUMENTS

D776,869	S *	1/2017	Heidl	D27/163
D779,719	S *	2/2017	Qiu	D27/101
D786,497	S *	5/2017	Sudlow	D27/162
D792,643	S *	7/2017	Wong	D27/101
D799,110	S *	10/2017	Qiu	D27/101
D799,112	S *	10/2017	Qiu	D27/101
D799,113	S *	10/2017	Qiu	D27/101
D799,744	S *	10/2017	Qiu	D27/101
D800,566	S *	10/2017	Wieland	D9/529
D802,838	S *	11/2017	Clark	D27/189
D811,003	S *	2/2018	Folyan	D27/101
D815,346	S *	4/2018	Bagai	D27/191
D815,347	S *	4/2018	Jones	D27/194
D819,262	S *	5/2018	Lin	D27/101
D819,881	S *	6/2018	Qiu	D27/101
D824,093	S *	7/2018	Kauss	D27/101
D824,096	S *	7/2018	Qiu	D27/167
D825,102	S *	8/2018	Bowen	D27/167
2015/0034104	A1 *	2/2015	Zhou	A24F 47/008 131/329
2016/0345626	A1 *	12/2016	Wong	A24F 47/008
2018/0093054	A1 *	4/2018	Bowen	A61M 15/003
2018/0098571	A1 *	4/2018	Watson	A24F 47/008
2018/0116281	A1 *	5/2018	Anderson, Jr.	A24F 47/008
2018/0153221	A1 *	6/2018	Verleur	A24F 47/008

* cited by examiner

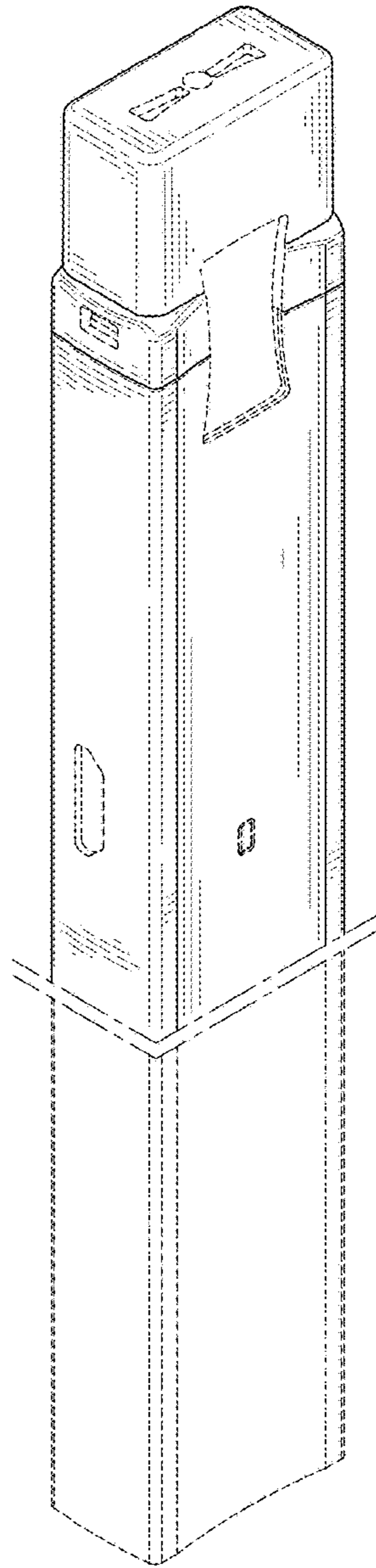


FIG. 1

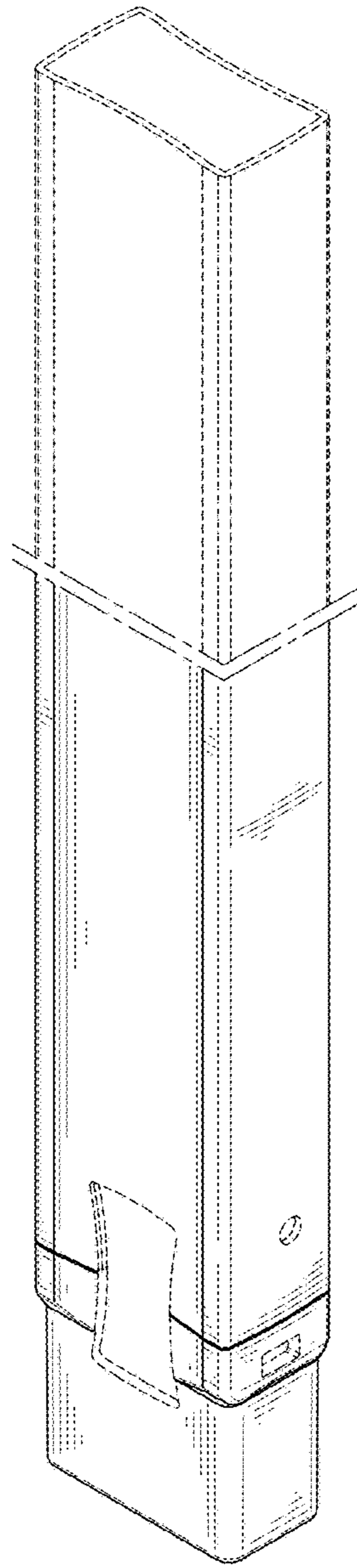


FIG. 2

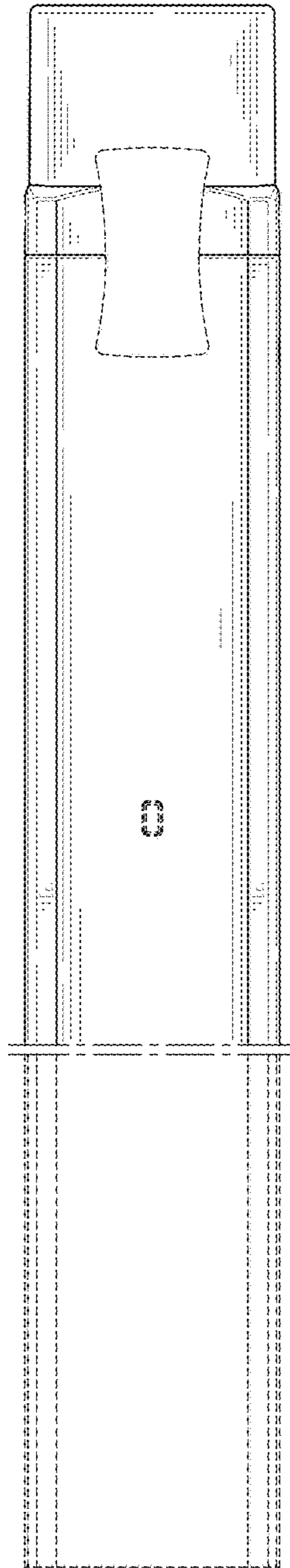


FIG. 3

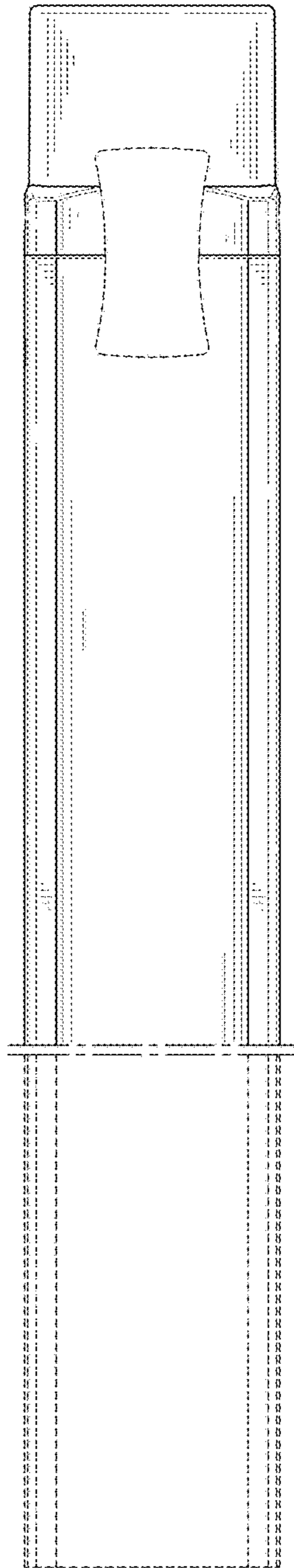


FIG. 4

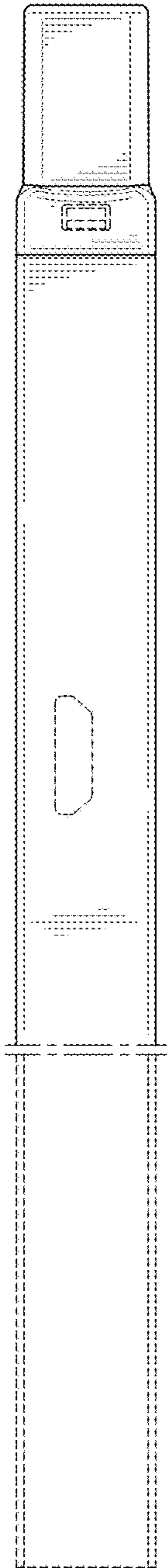


FIG. 5

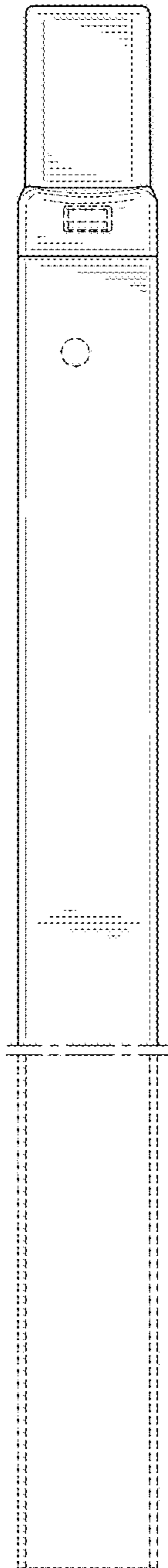


FIG. 6

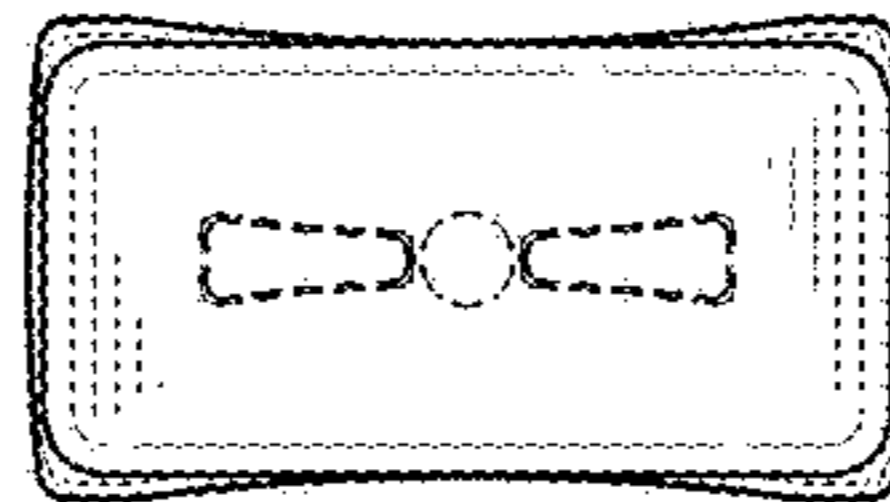


FIG. 7

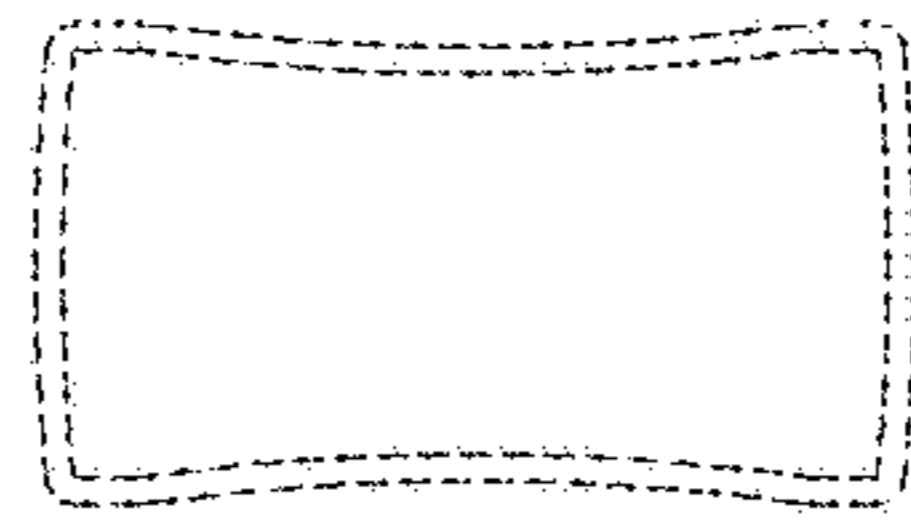


FIG. 8