



US00D843642S

(12) **United States Design Patent**
Mathews et al.

(10) **Patent No.:** **US D843,642 S**
(45) **Date of Patent:** **** Mar. 19, 2019**

(54) **CYLINDRICAL FIXTURE MOUNT**

(71) Applicant: **Lucifer Lighting Company**, San Antonio, TX (US)

(72) Inventors: **Ben Mathews**, San Antonio, TX (US);
Scott Dupre, Riverside, RI (US)

(73) Assignee: **LUCIFER LIGHTING COMPANY**, San Antonio, TX (US)

(**) Term: **14 Years**

(21) Appl. No.: **29/525,805**

(22) Filed: **May 3, 2015**

(51) **LOC (11) Cl.** **26-05**

(52) **U.S. Cl.**
USPC **D26/142**

(58) **Field of Classification Search**
USPC D26/2, 28, 72, 89, 113, 118, 119, 120,
D26/122, 124, 128, 138, 142, 143, 145,
D26/60-66; D13/180

(Continued)

(56) **References Cited**

U.S. PATENT DOCUMENTS

2,956,103 A 10/1960 Steel et al.
3,227,406 A 1/1966 Shelton et al.

(Continued)

FOREIGN PATENT DOCUMENTS

DE 202009000699 3/2009
DE 102008055864 5/2010

(Continued)

OTHER PUBLICATIONS

Archi Expo, "LED track-light (adjustable)—Star : 55 QPAR 51 DLR—Bruck", accessed Apr. 8, 2014, 35 pages, <http://www.archiexpo.com/prod/bruck/led-track-lights-adjustables-53105-1124273.html>.

(Continued)

Primary Examiner — Michelle E. Wilson

Assistant Examiner — Sanjeev Paul

(74) *Attorney, Agent, or Firm* — Norton Rose Fulbright US LLP

(57) **CLAIM**

The ornamental design for a cylindrical fixture mount, as shown and described.

DESCRIPTION

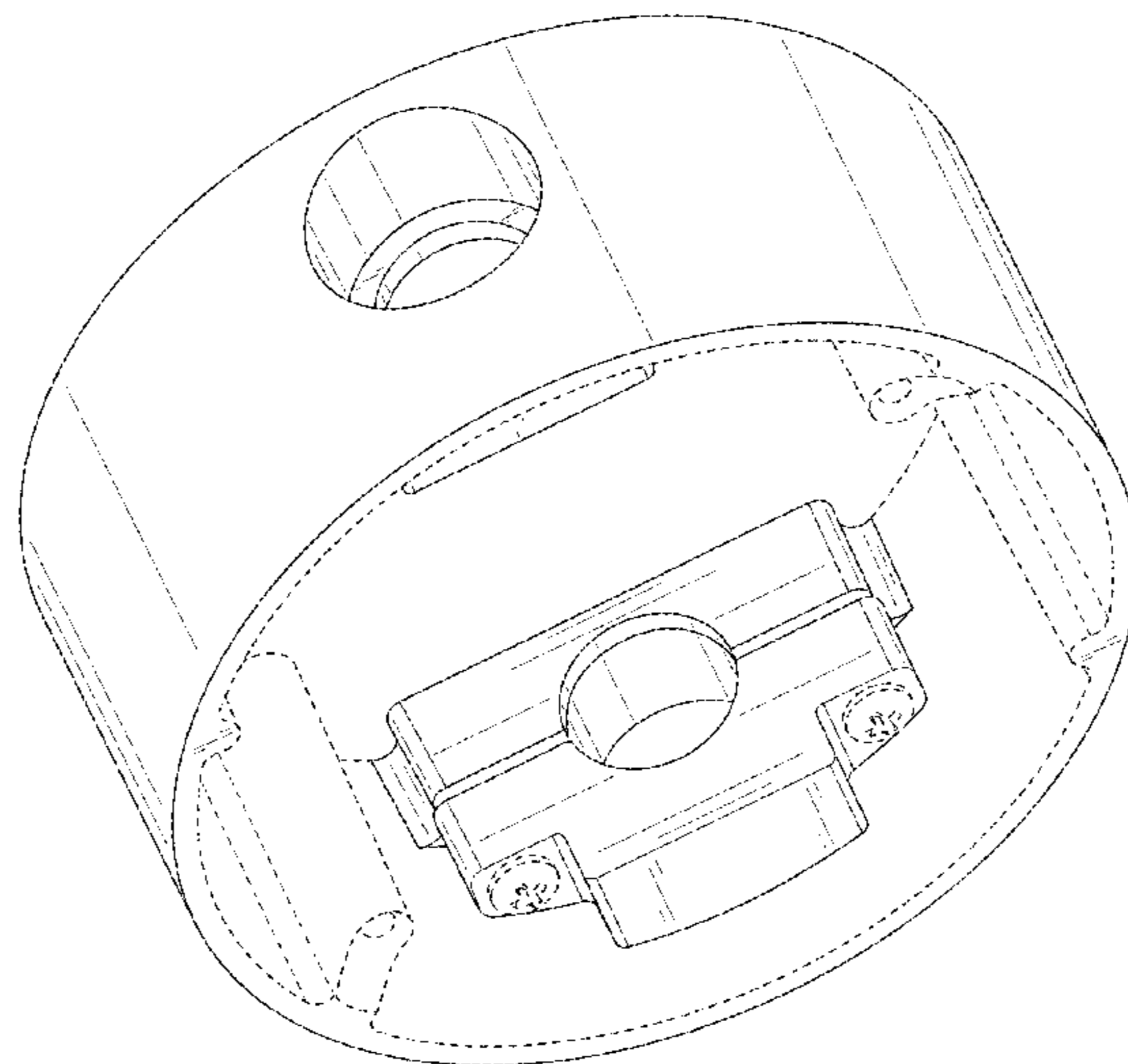
FIG. 1 is a front, bottom perspective view of a cylindrical fixture mount showing a first embodiment of our design, which is the same as a rear, bottom perspective view thereof; FIG. 2 is a bottom view thereof; FIG. 3 is a top view thereof; FIG. 4 is a right side, front, top perspective view thereof and is the same as a left side, rear, top perspective view thereof; and

FIG. 5 is a left side, front, top perspective view thereof and is the same as a right side, rear, top perspective view thereof. FIG. 6 is a front, bottom perspective view of a cylindrical fixture mount showing a second embodiment of our design, which is the same as a rear, bottom perspective view thereof; FIG. 7 is a bottom view thereof; FIG. 8 is a top view thereof; and, FIG. 9 is a rear view thereof and is the same as a front view thereof.

The shade lines in the figures show contour and not surface ornamentation. The dashed lines in the figures form no part of the claimed design.

The cylindrical fixture mount of the second embodiment is shown with symbolic breaks in its height, indicated in the figures by break lines. The appearance of any portion of the cylindrical fixture mount between the break lines—including its height—forms no part of the claimed design.

1 Claim, 9 Drawing Sheets



(58) **Field of Classification Search**

CPC F41C 27/00; F41C 33/0254; G02B 5/045;
 G02B 5/189; F21S 8/00; F21S 8/03;
 F21S 8/026; F21S 8/02; F21S 8/003;
 F21S 8/043; F21S 8/06; F21S 8/04; F21V
 7/005; F21V 15/01; F21V 15/04; F21V
 25/00; G02F 2001/133607; F21Y 2103/00
 See application file for complete search history.

(56) **References Cited**

U.S. PATENT DOCUMENTS

D234,710	S	4/1975	Beeren	D26/63
4,167,033	A	9/1979	Fletcher		
D253,853	S	1/1980	Gerber	D26/63
4,327,403	A	4/1982	Capostagno et al.		
4,363,086	A	12/1982	Fletcher		
D270,483	S *	9/1983	Gardner	D26/105
5,289,358	A	2/1994	Halemeier	362/365
5,398,178	A	3/1995	Roth		
D400,406	S *	11/1998	House	D7/624.1
6,079,992	A	6/2000	Kuchar et al.	439/122
7,240,884	B2	7/2007	Shim		
D592,791	S	5/2009	Sabernig	D26/84
D598,583	S *	8/2009	Levine	D26/25
D620,191	S *	7/2010	Feigenbaum	D26/142
7,762,688	B2	7/2010	Dixon et al.	362/287
7,926,997	B1	4/2011	Miller et al.		
D646,821	S	10/2011	Wauters	D26/63
D652,537	S *	1/2012	Wada	D26/2
D654,209	S *	2/2012	Yoshida	D26/89
D655,841	S	3/2012	Coleman	D26/63
D656,656	S *	3/2012	Wauters	D26/89
D656,657	S *	3/2012	Wauters	D26/89
D662,621	S *	6/2012	Yamamoto	D26/2
D662,622	S *	6/2012	Yamamoto	D26/2
D662,623	S *	6/2012	Yamamoto	D26/2
D664,279	S	7/2012	Meise et al.	D26/74
D674,962	S *	1/2013	Drake	D26/118
D693,043	S *	11/2013	Schmalfuss	D26/63
D694,928	S *	12/2013	Chen	D26/63
D697,245	S	1/2014	Thomas et al.	D26/63
D697,510	S *	1/2014	Sato	D14/420
D700,737	S *	3/2014	Campagna	D26/142
D702,866	S *	4/2014	Blincoe	D26/63
D703,359	S	4/2014	Thomas et al.	D26/63
D713,576	S *	9/2014	Popper	D26/113
D735,933	S *	8/2015	Campagna	D26/142
D740,989	S *	10/2015	Vasquez	D26/63
D743,059	S *	11/2015	Itoh	D26/2
D743,603	S *	11/2015	Inskeep	D26/63
D746,622	S *	1/2016	O'Brien	D21/823

D753,328	S	4/2016	Mathews et al.	D26/63
D753,850	S *	4/2016	Shum	D26/2
D759,877	S *	6/2016	Hewitt	D26/89
2003/0031018	A1	2/2003	Bray et al.		
2006/0146536	A1	7/2006	Laenen et al.	362/269
2009/0296412	A1	12/2009	Ogawa et al.	362/373
2011/0063849	A1 *	3/2011	Alexander	F21S 48/328 362/294
2011/0164422	A1	7/2011	Chan	362/284
2011/0164424	A1	7/2011	Breen et al.		
2014/0313727	A1	10/2014	Dupre et al.	362/287
2016/0091182	A1 *	3/2016	Bardot	F21S 8/02 362/365

FOREIGN PATENT DOCUMENTS

EP	1293724	9/2003
EP	1 657 486	5/2006
GB	870482	6/1961
JP	2003297136	10/2003
JP	1232045	3/2005
JP	2008-047448	2/2008
JP	2008-218188	9/2008
TW	286228	9/1996
TW	287875	10/1996
TW	144227	12/2011
WO	WO 2014/176247	10/2014

OTHER PUBLICATIONS

Bulb.com, "One Light Adjustable Wall or Ceiling Heat Lamp Fixture with Black Baffle, White Finish", accessed Apr. 8, 2014, 1 page, <http://www.bulbs.com/espec.aspx?ID=17518>.

Cooper Industries, "Cooper Lighting by Eaton", 12 pages, 2013, http://www.cooperindustries.com/content/public/en/lighting/products/indoor_ceiling_wall_mount_lighting/ceiling_mount/_165822.html. Cooper Lighting by Eaton, products C17032, C17042. http://www.cooperindustries.com/content/public/en/lighting/products/indoor_ceiling_wall_mount_lighting/ceiling_mount/_165822.html.

Deltalight®, "Installation Instructions for You-Turn on H111-35", 3 pages, Jan. 10, 2013, www.deltalight.com.

Kurt Versen, "Narrow, Medium, Wide Distribution Surface Form, 5" Diameter", 2014, www.kurtversen.com/products/1137_1135_1133/.

Kurt Versen, products L137, L135, L133. http://www.kurtversen.com/products/1137_1135_1133/.

Search Report and Written Opinion issued in International Application No. PCT/US2014/034968.

Taiwanese Office Action and Search Report dated Feb. 6, 2015 for corresponding application No. 103302951 filed May 16, 2014.

* cited by examiner

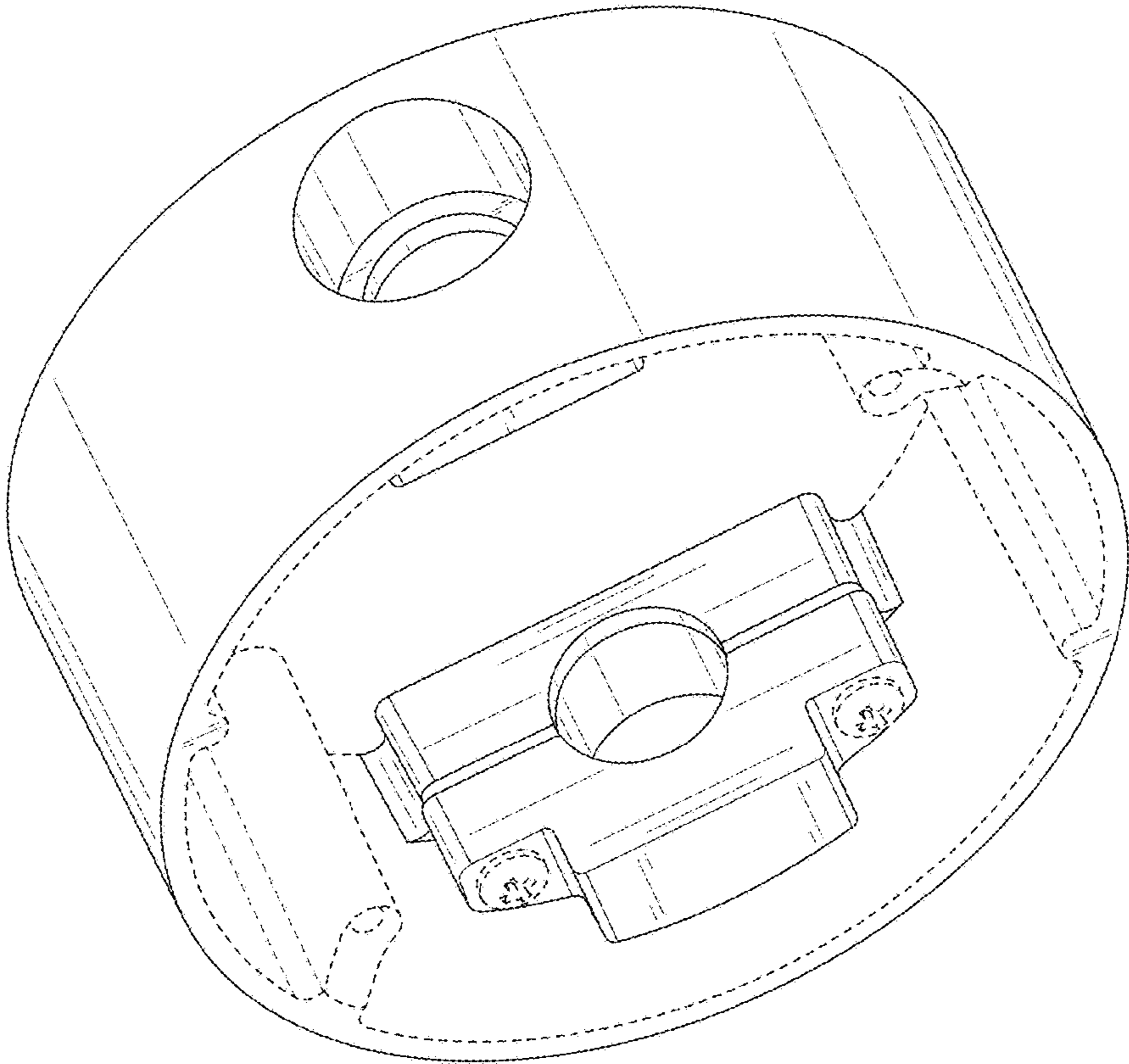


FIG. 1

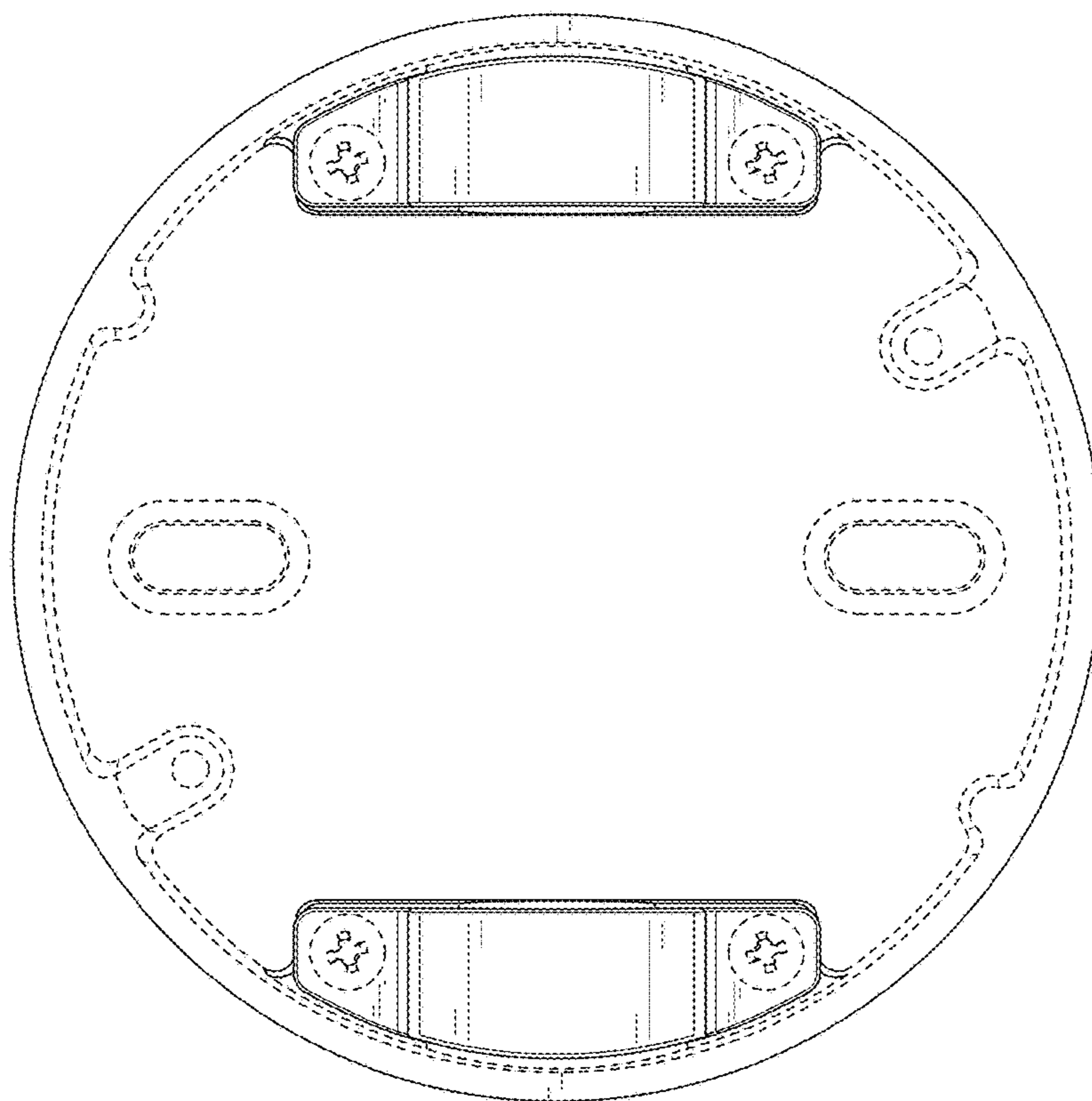


FIG. 2

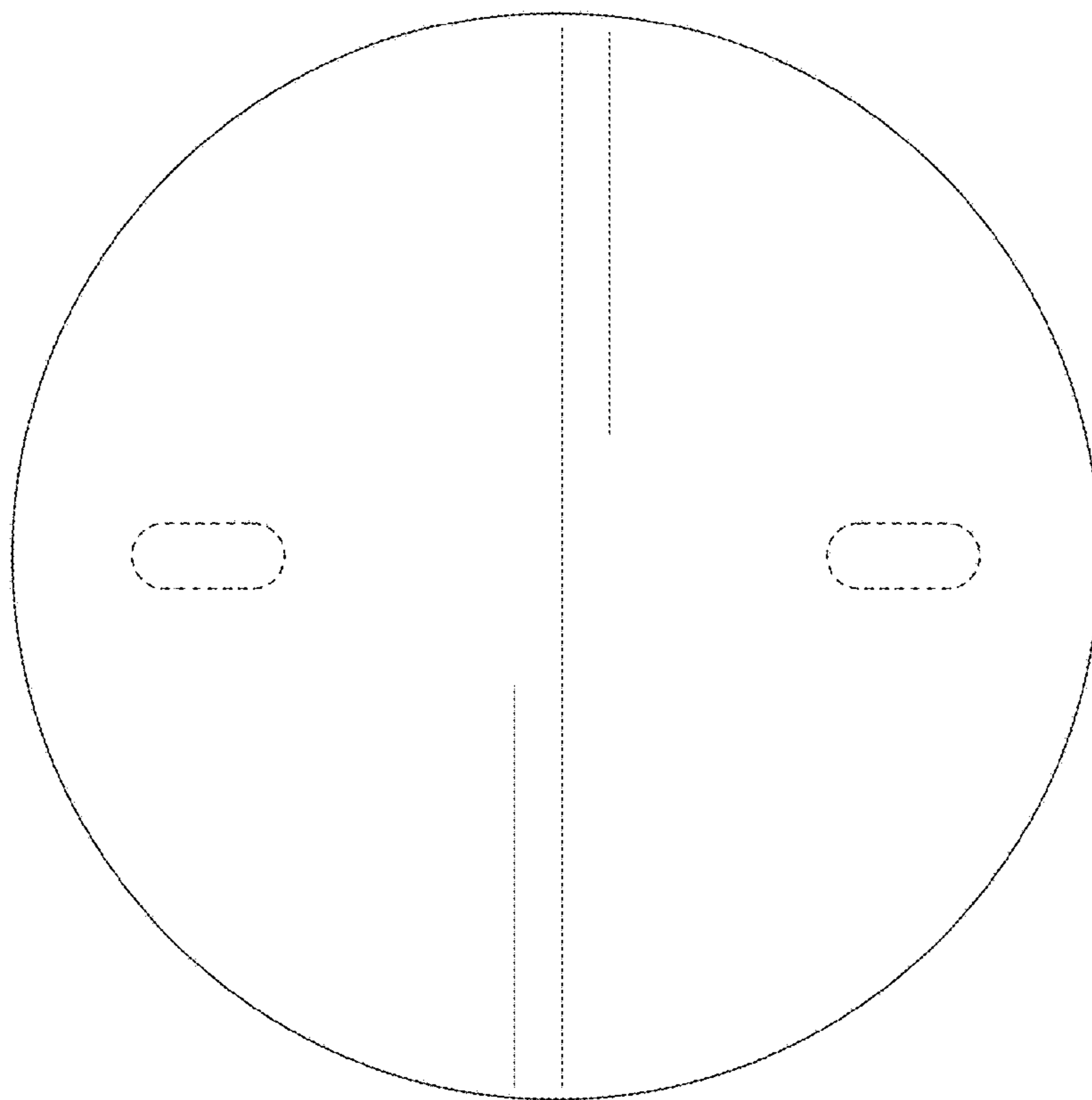


FIG. 3

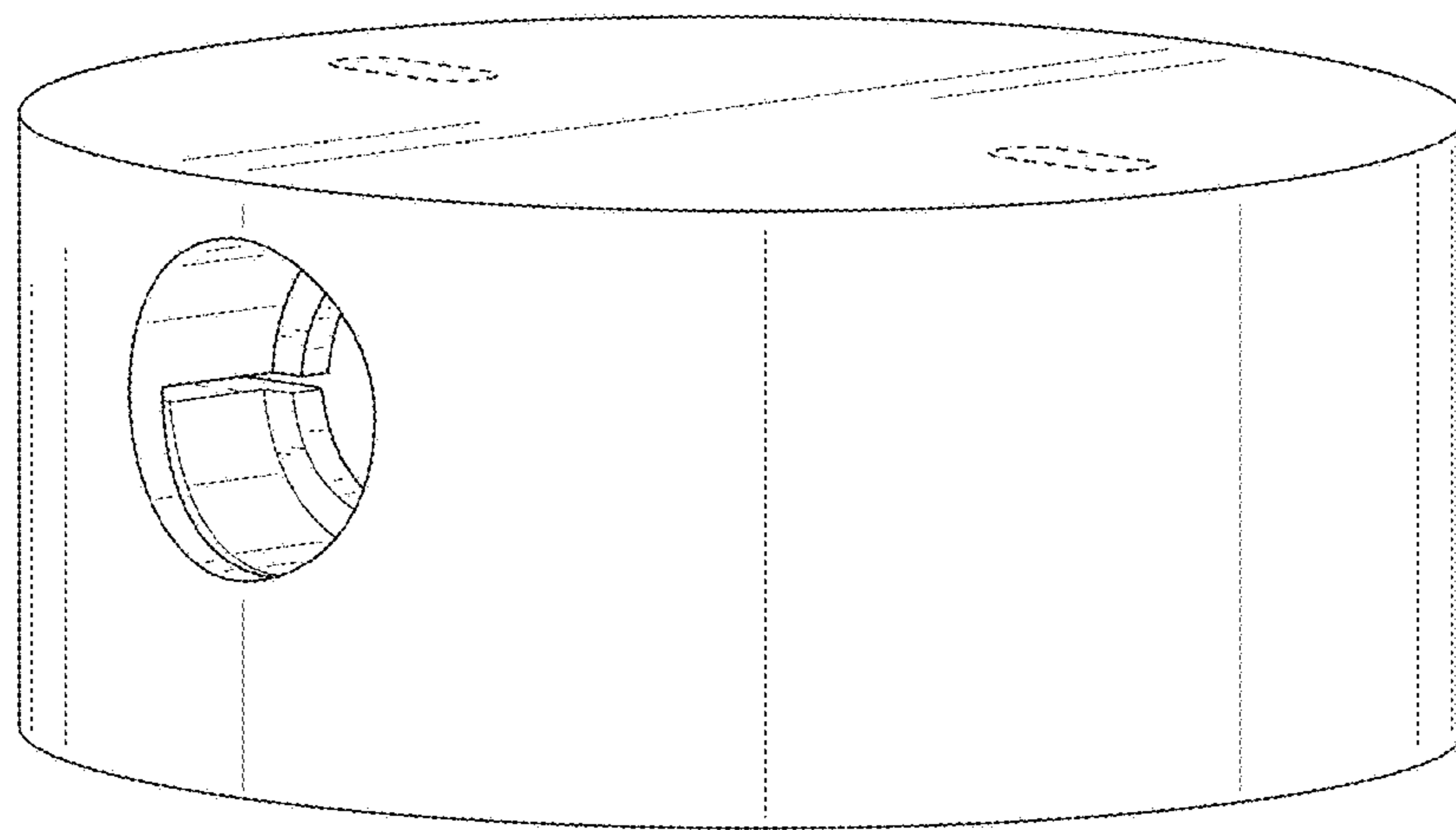


FIG. 4

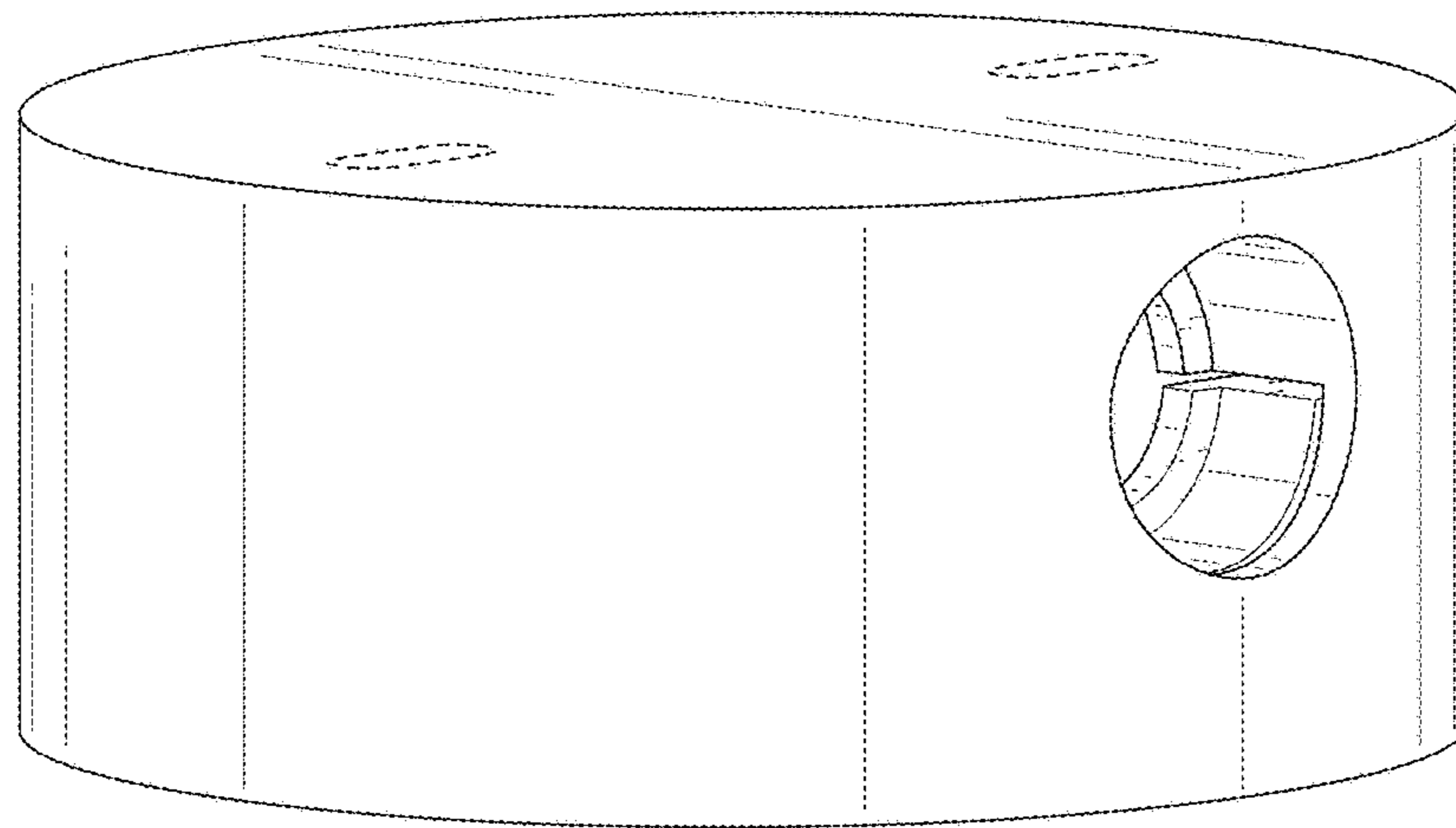


FIG. 5

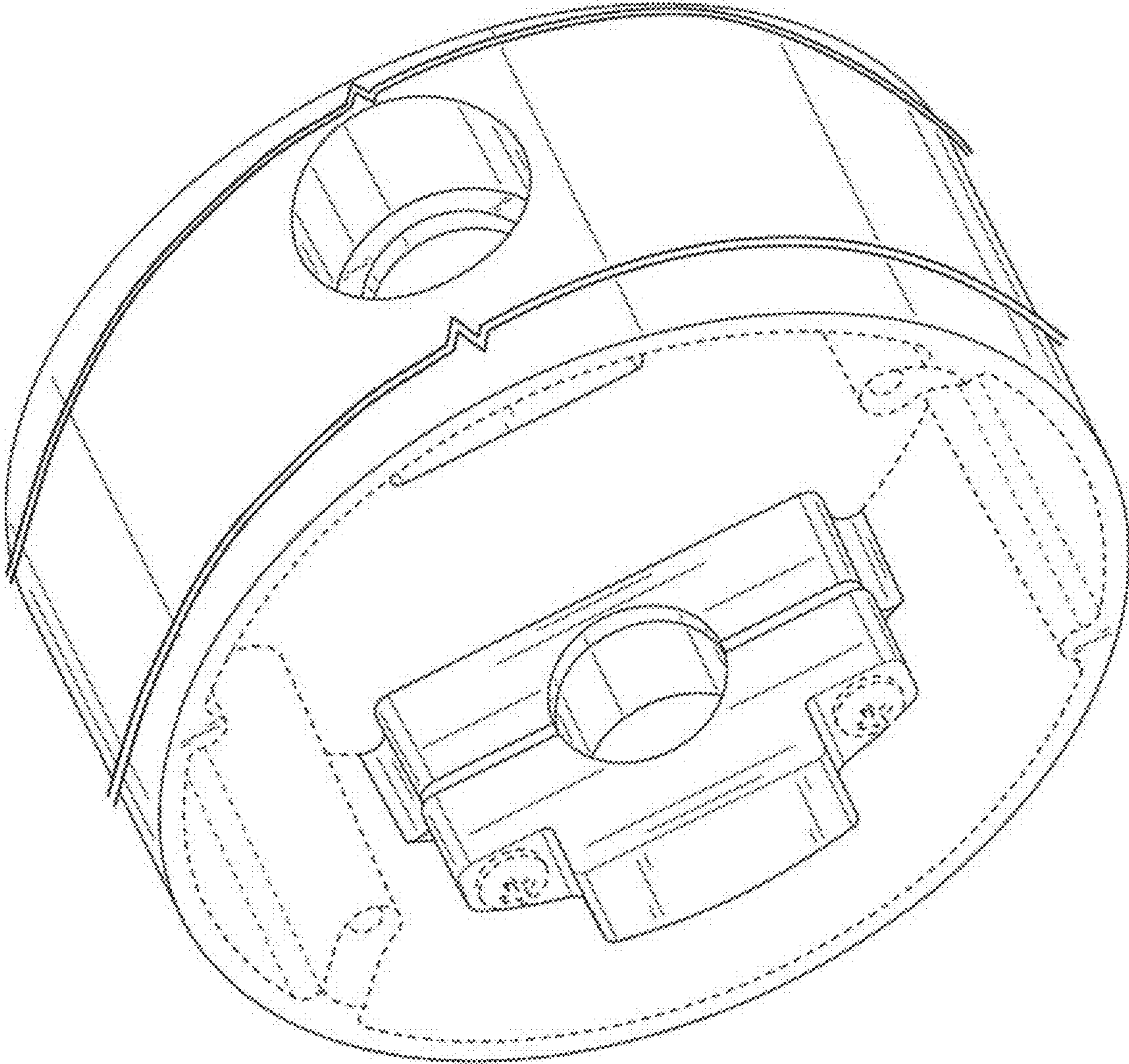


FIG. 6

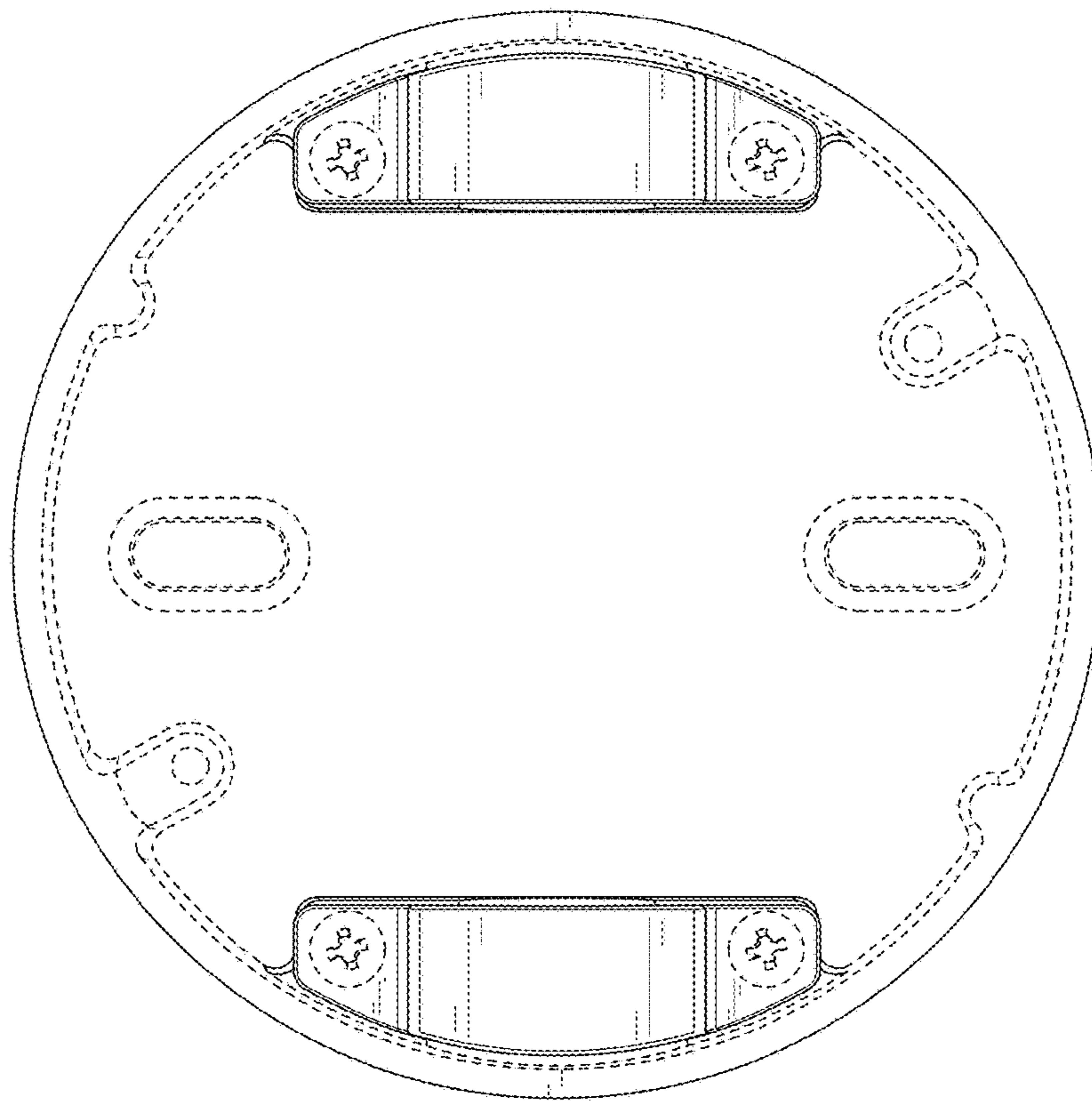


FIG. 7

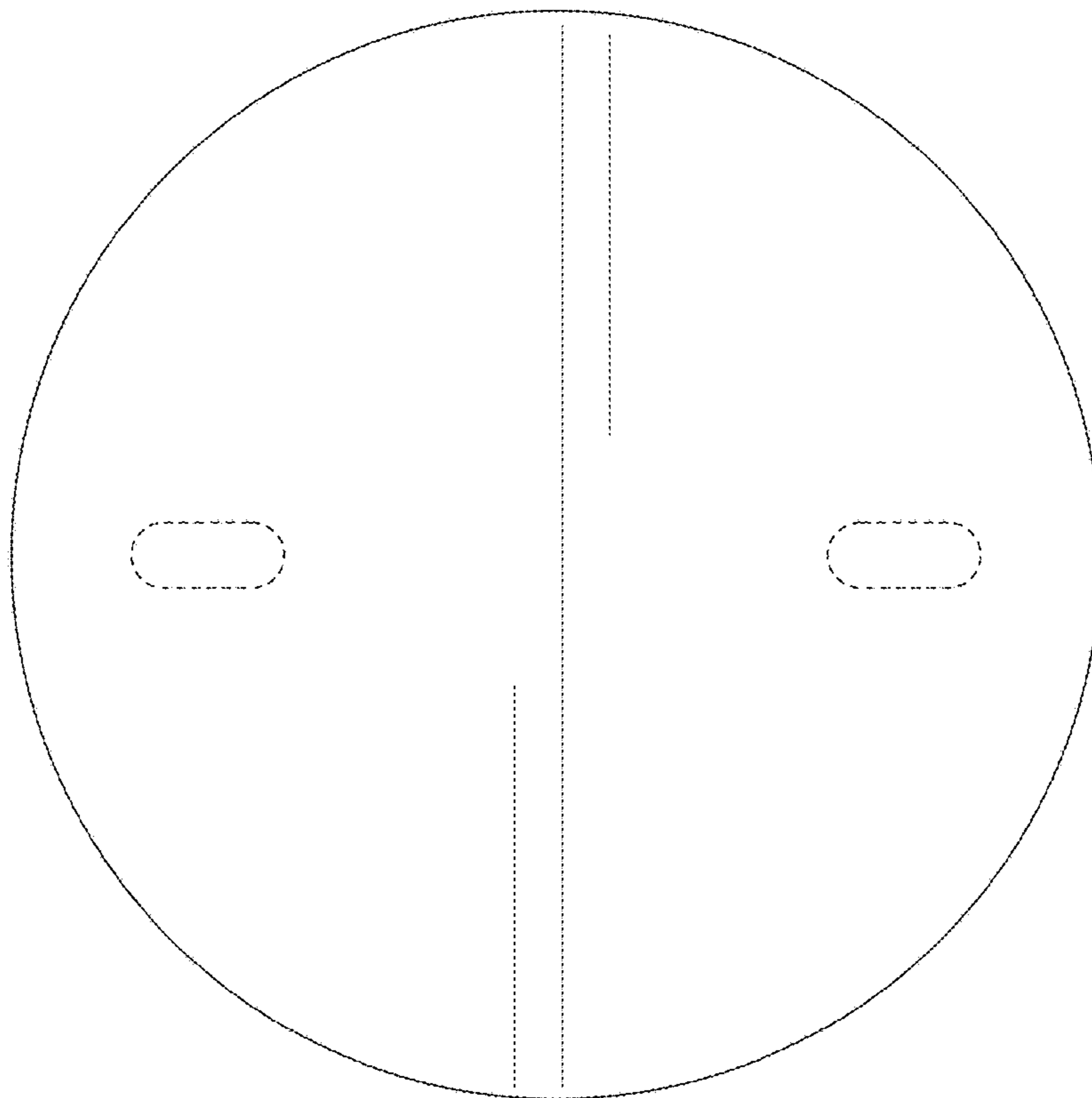


FIG. 8

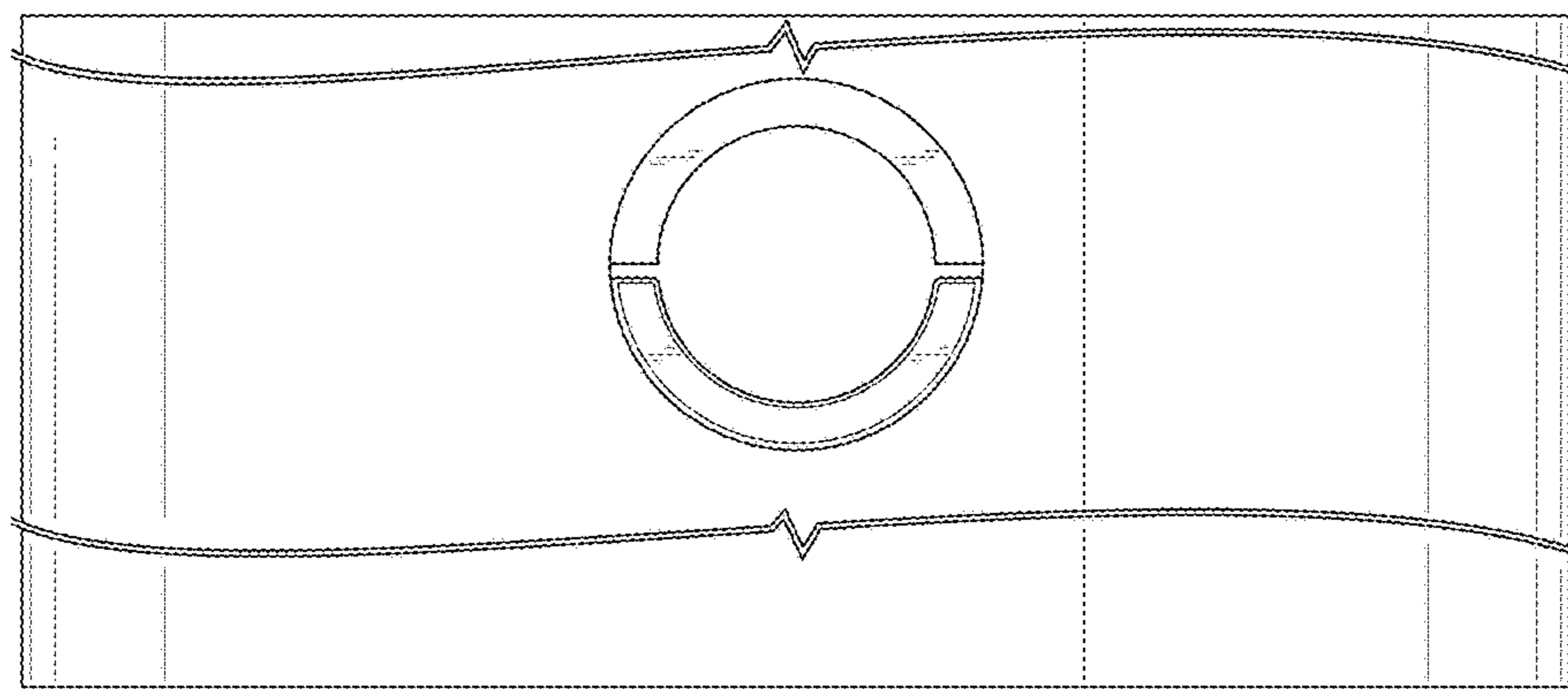


FIG. 9