



US00D843641S

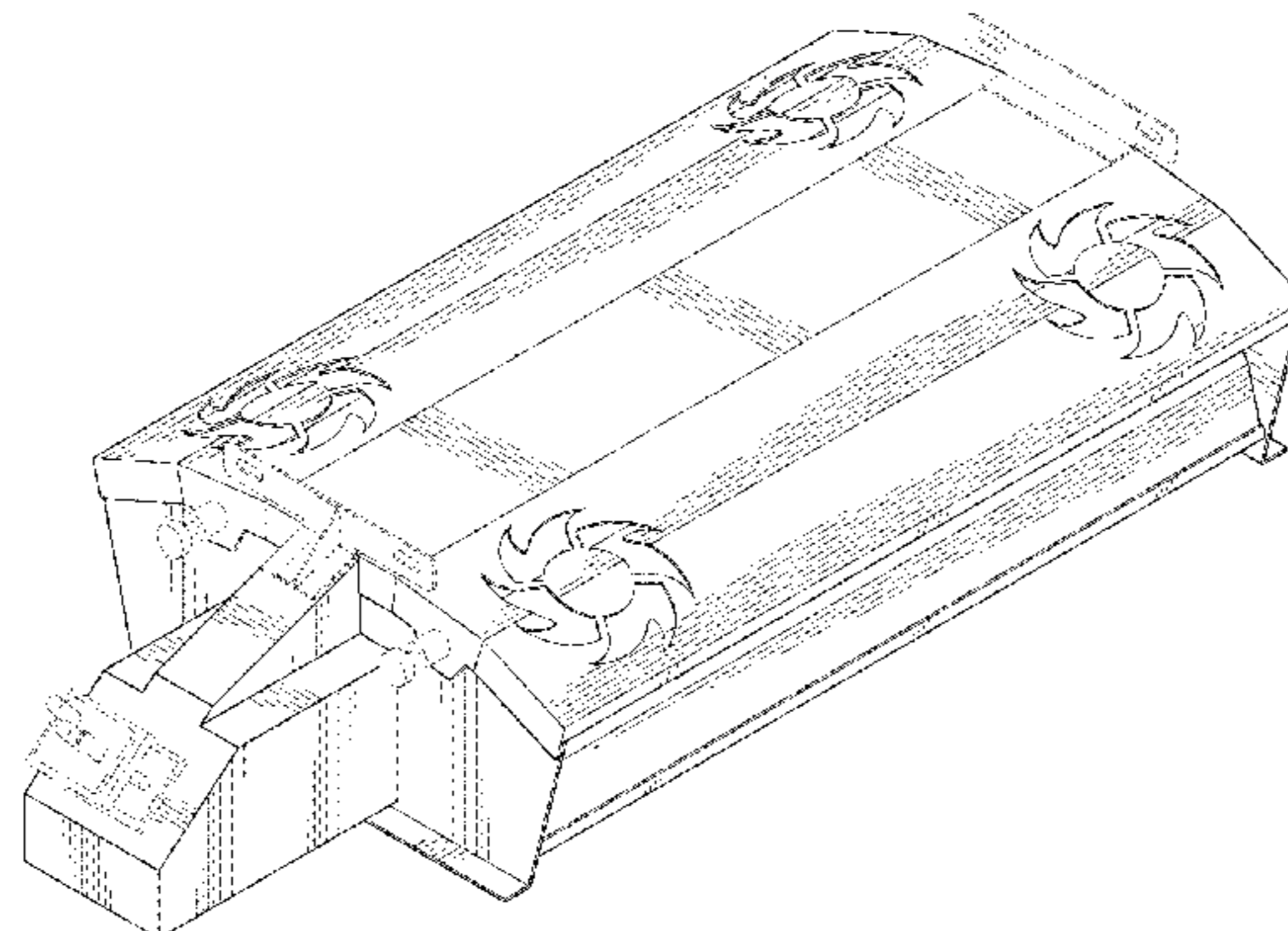
(12) **United States Design Patent** (10) **Patent No.:** **US D843,641 S**  
**Stanley** (45) **Date of Patent:** **\*\* Mar. 19, 2019**

(54) **HORTICULTURE GROW LIGHT**  
(71) Applicant: **HGCI, Inc.**, Las Vegas, NV (US)  
(72) Inventor: **John Stanley**, Vancouver, WA (US)  
(73) Assignee: **HGCI, Inc.**, Las Vegas, NV (US)  
(\*\*) Term: **15 Years**  
(21) Appl. No.: **29/622,979**  
(22) Filed: **Oct. 20, 2017**  
(51) **LOC (11) Cl.** ..... **26-99**  
(52) **U.S. Cl.**  
USPC ..... **D26/118**  
(58) **Field of Classification Search**  
USPC ... D26/9, 10, 12, 13, 15, 16, 24, 51, 61, 72,  
D26/76, 80, 81, 85, 86, 88, 90, 113, 118,  
D26/119, 120, 122, 128, 129, 138, 143,  
D26/144  
CPC .... B60Q 1/04; B60Q 1/26; F21S 8/026; F21S  
8/04; F21V 29/004; F21V 21/02; F21V  
21/04; F21V 29/2212; F21V 7/22; F21V  
29/83; F21V 37/002; F21V 7/00; F21L  
19/00; F23D 11/443; F21Y 2101/02;  
A61L 9/037  
See application file for complete search history.

4,779,178 A	10/1988	Spitz	
4,814,954 A	3/1989	Spitz	
4,933,821 A	6/1990	Anderson	
D311,597 S	10/1990	Poot	
D323,897 S	2/1992	Compton	
5,253,152 A	10/1993	Yang	
D352,126 S	11/1994	Ruud	
D377,234 S	1/1997	Roberts	
D413,176 S	8/1999	Mier-Langer	
6,053,624 A	4/2000	Cronk	
D428,516 S	7/2000	Reo	
D447,272 S	8/2001	Smith	
D456,938 S	5/2002	Wardenburg	
D459,825 S	7/2002	Field	
D465,049 S	10/2002	Ludwig	
D469,564 S	1/2003	Brok	
6,527,422 B1	3/2003	Hutchinson	
6,595,662 B2	7/2003	Wardenburg	
6,988,816 B2	1/2006	Witkowski	
D542,460 S	5/2007	Hargreaves	
D543,652 S	5/2007	Hargreaves	
D543,654 S	5/2007	Hargreaves	
D544,131 S	6/2007	Blackman	
D544,139 S	6/2007	Hargreaves	
D544,626 S	6/2007	Hargreaves	
D544,983 S	6/2007	Hargreaves	
D544,984 S	6/2007	Hargreaves	
D544,985 S	6/2007	Hargreaves	
D544,987 S	6/2007	Hargreaves	
D544,995 S	6/2007	Hargreaves	
D545,484 S *	6/2007	Hargreaves	..... D26/118
D545,485 S	6/2007	Hargreaves	
D586,030 S	2/2009	Genova	
7,524,090 B2	4/2009	Hargreaves	
7,534,011 B2	5/2009	Townsley	
D613,900 S	4/2010	Hargreaves	
D614,801 S	4/2010	Collins	
7,722,208 B1	5/2010	Dupre	
7,722,228 B2	5/2010	Broer	
D633,640 S	3/2011	Wauters	
D634,468 S	3/2011	Hargreaves	
D634,469 S	3/2011	Hargreaves	
D634,060 S	5/2011	Wardenburg	
D637,162 S	5/2011	Bridgman	
D637,752 S	5/2011	Mehrtarian	
7,959,331 B2	6/2011	Ho	
7,972,044 B2	7/2011	Burkhauser	
D661,833 S	6/2012	Imajo	
8,209,912 B2	7/2012	Hargreaves	
D669,204 S	10/2012	Snell	
D670,850 S	11/2012	Helenowski	
D672,911 S	12/2012	Mayfield	
D675,369 S	1/2013	Michaud	

(56) **References Cited**  
**U.S. PATENT DOCUMENTS**

D106,614 S	10/1937	Waterbury
D123,768 S	12/1940	Scribner
D132,786 S	6/1942	Netting
D133,216 S	7/1942	Parlato
D135,375 S	3/1943	Biller
2,339,100 A	1/1944	Netting
D143,061 S	12/1945	Creed
D156,014 S	11/1949	Lazerson
2,740,883 A	4/1956	Kruger
2,740,885 A	4/1956	Kruger
3,272,978 A	9/1966	Jackson
4,363,371 A	12/1982	Hutchinson
D268,287 S	3/1983	Boschetti
4,531,180 A	7/1985	Hernandez



8,348,481	B2	1/2013	Chang	
D676,185	S	2/2013	Piepgras	
D678,599	S	3/2013	Boyer	
D683,064	S	5/2013	Tuck	
D693,959	S	11/2013	Boyer	
D698,986	S	2/2014	Reynolds	
D698,987	S	2/2014	Stanley	
8,905,575	B2	12/2014	Durkee	
D725,819	S	3/2015	Reynolds	
8,998,473	B1	4/2015	Anderson	
9,010,970	B2	4/2015	Guercio	
9,016,907	B2	4/2015	Stanley	
D731,701	S	6/2015	Hargreaves	
D732,233	S	6/2015	Reynolds	
D732,235	S	6/2015	Reynolds	
D732,236	S	6/2015	Reynolds	
D736,450	S	8/2015	Reynolds	
D737,134	S	8/2015	Thompson	
D737,498	S	8/2015	Stanley	
9,100,209	B2	8/2015	Steindl	
D739,595	S	9/2015	Reynolds	
D740,486	S	10/2015	Stanley	
D747,029	S	1/2016	Reynolds	
D748,849	S	2/2016	Stanley	
D750,312	S	2/2016	Reynolds	
D750,316	S	2/2016	Reynolds	
D751,244	S *	3/2016	Reynolds	D26/118
D751,247	S	3/2016	Reynolds	
9,279,550	B2	3/2016	Torabifard	
D757,323	S	5/2016	Reynolds	
D762,320	S	7/2016	Reynolds	
D765,306	S	8/2016	Wardenburg	
D767,193	S	9/2016	Jung	
9,453,639	B2	9/2016	Mandy	
D769,514	S	10/2016	Reynolds	
D770,670	S	11/2016	Reynolds	
D770,671	S	11/2016	Reynolds	
D775,405	S *	12/2016	Stanley	D26/118
D779,703	S	2/2017	Stanley	
D783,888	S *	4/2017	Reynolds	D26/118
D797,351	S *	9/2017	Stanley	D26/118
D797,352	S	9/2017	Stanley	
D822,883	S *	7/2018	Stanley	D26/118
D825,096	S *	8/2018	Reynolds	D26/118
2001/0023173	A1	9/2001	Schiedegger	
2002/0141195	A1	10/2002	Wardenburg	
2008/0205030	A1	8/2008	Hargreaves	
2008/0205071	A1	8/2008	Townsley	
2008/0219008	A1	9/2008	Schaefer	
2008/0278950	A1	11/2008	Pickard	
2009/0262540	A1	10/2009	Hargreaves	
2009/0262543	A1	10/2009	Ho	
2009/0310373	A1	12/2009	Burkhauser	
2009/0323335	A1	12/2009	Yang	
2012/0051041	A1	3/2012	Edmond	
2013/0083539	A1	4/2013	Dimitriadis	
2015/0082692	A1	3/2015	Wardenburg	
2015/0252993	A1	9/2015	Stanley	

FOREIGN PATENT DOCUMENTS

CN	ZL 201430166983.7	4/2015
CN	ZL 201530131007.2	7/2015

OTHER PUBLICATIONS

Horticultural Lights, image post date Jul. 7, 2014, site visited Sep. 30, 2015 (online), <<http://web.archive.org/web/20140707223459/http://www.kindgreenbuds.com/cannabis-grow-bible/best-lighting-systems/>>.

Horticultural Lighting, image post date Sep. 2008, site visted Sep. 30, 2015, (online), <<http://www.dendroboard.com/forum/sponsor-classifieds/104681-grow-your-own-plants-horticulture-neherp.html>>. Steel S Section, image post date Aug. 30, 2000, site visted Sep. 30, 2015 (online), <<http://web.archive.org/web/20000830093120/http://www.efunda.com/math/areas/RolledSteelBeamsS.cfm>>.

\* cited by examiner

Primary Examiner — Brian N. Vinson  
(74) Attorney, Agent, or Firm — J. Douglas Wells

(57) CLAIM

The ornamental design for a horticulture grow light, as shown and described.

DESCRIPTION

FIG. 1 is a perspective view of a horticulture grow light, as viewed from below, showing my new design;  
FIG. 2 is a perspective view of the light shown in FIG. 1, as viewed from above;  
FIG. 3 is a left side view of the light shown in FIG. 1;  
FIG. 4 is a right side view of the light shown in FIG. 1;  
FIG. 5 is a front elevation view of the light shown in FIG. 1;  
FIG. 6 is a rear elevation view of the light shown in FIG. 1;  
FIG. 7 is a bottom plan view of the light shown in FIG. 1;  
FIG. 8 is a top plan view of the light shown in FIG. 1;  
FIG. 9 is a perspective view thereof, as viewed from below, with its lower reflective surfaces removed for clarity of illustration;  
FIG. 10 is a perspective view of the light shown in FIG. 9, as viewed from above;  
FIG. 11 is a left side view of the light shown in FIG. 9;  
FIG. 12 is a right side view of the light shown in FIG. 9;  
FIG. 13 is a front elevation view of the light shown in FIG. 9;  
FIG. 14 is a rear elevation view of the light shown in FIG. 9;  
FIG. 15 is a bottom plan view of the light shown in FIG. 9;  
FIG. 16 is a top plan view of the light shown in FIG. 9;  
FIG. 17 is a perspective view thereof, as viewed from below, with its upper light socket enclosure removed for clarity of illustration;  
FIG. 18 is a perspective view of the light shown in FIG. 17, as viewed from above;  
FIG. 19 is a left side view of the light shown in FIG. 17;  
FIG. 20 is a right side view of the light shown in FIG. 17;  
FIG. 21 is a front elevation view of the light shown in FIG. 17;  
FIG. 22 is a rear elevation view of the light shown in FIG. 17;  
FIG. 23 is a bottom plan view of the light shown in FIG. 17; and,  
FIG. 24 is a top plan view of the light shown in FIG. 17.  
The broken-line disclosure shown in the views is understood to represent portions of the article in which the claimed design is embodied, but which form no part of the claimed design.

1 Claim, 18 Drawing Sheets

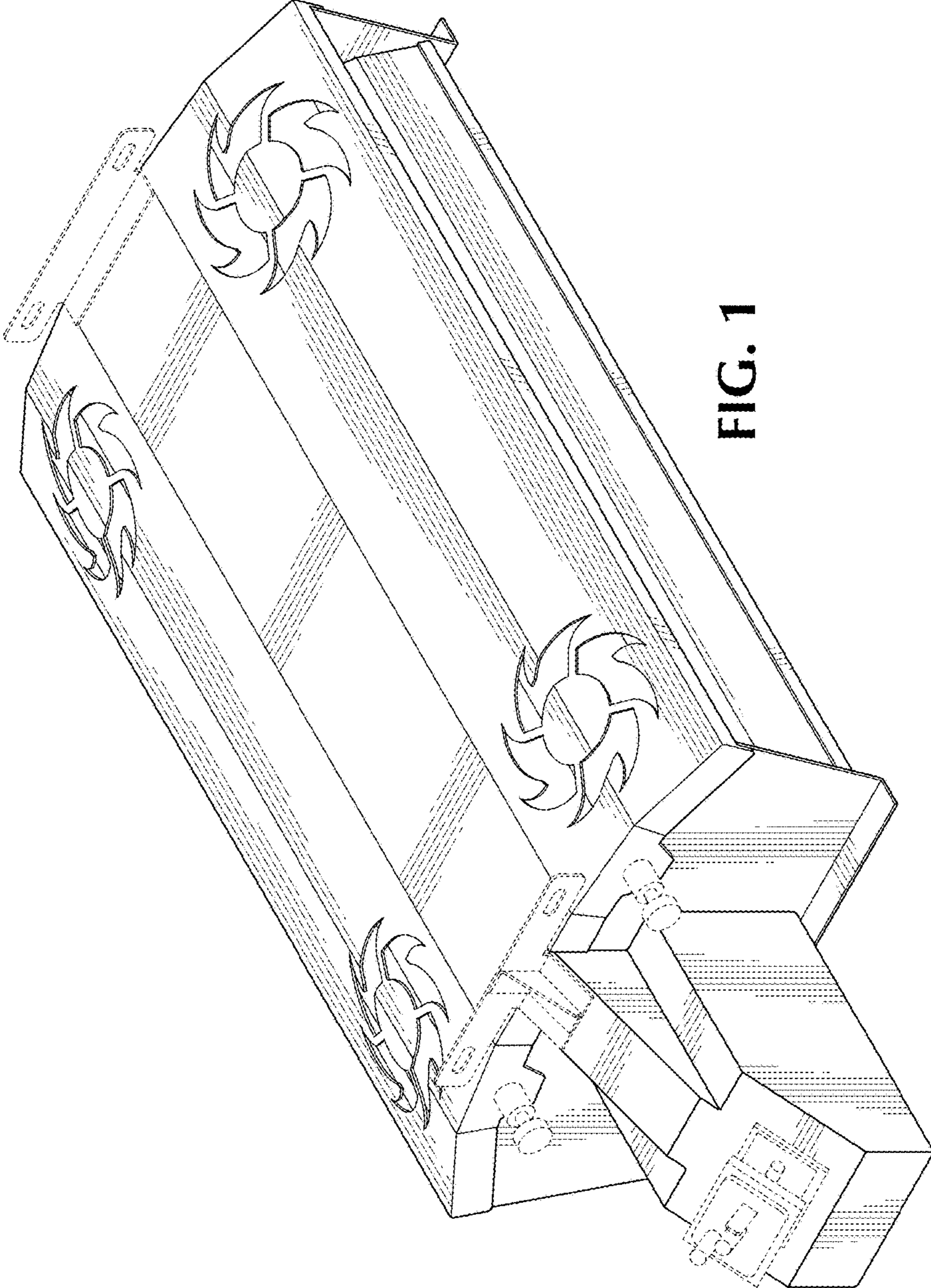


FIG. 1

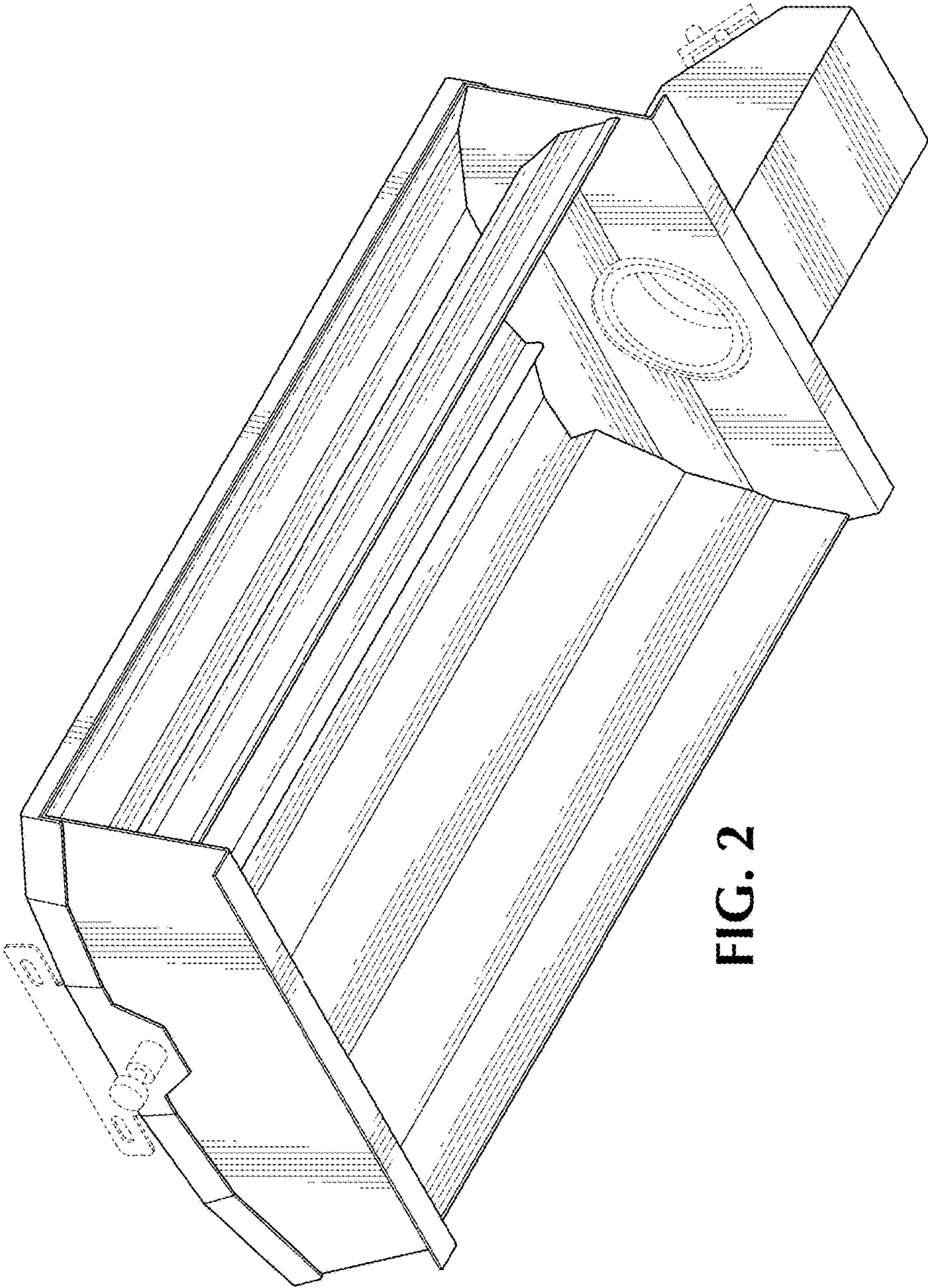


FIG. 2

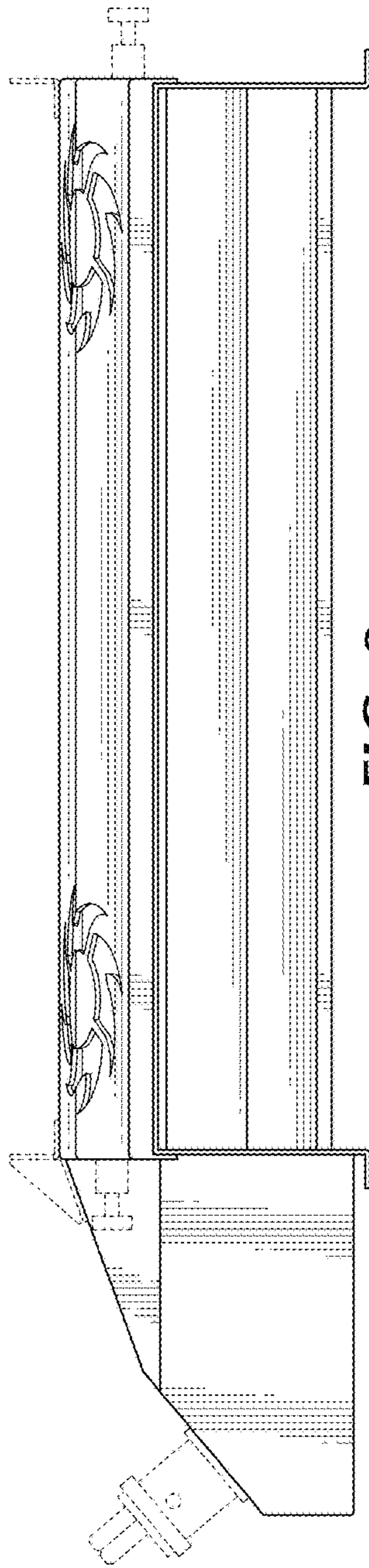


FIG. 3

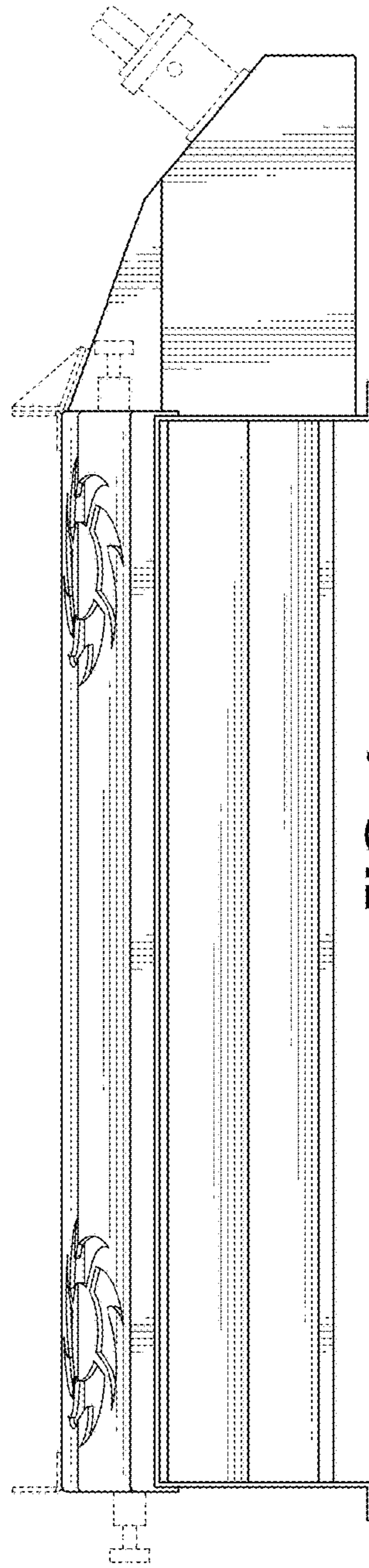


FIG. 4

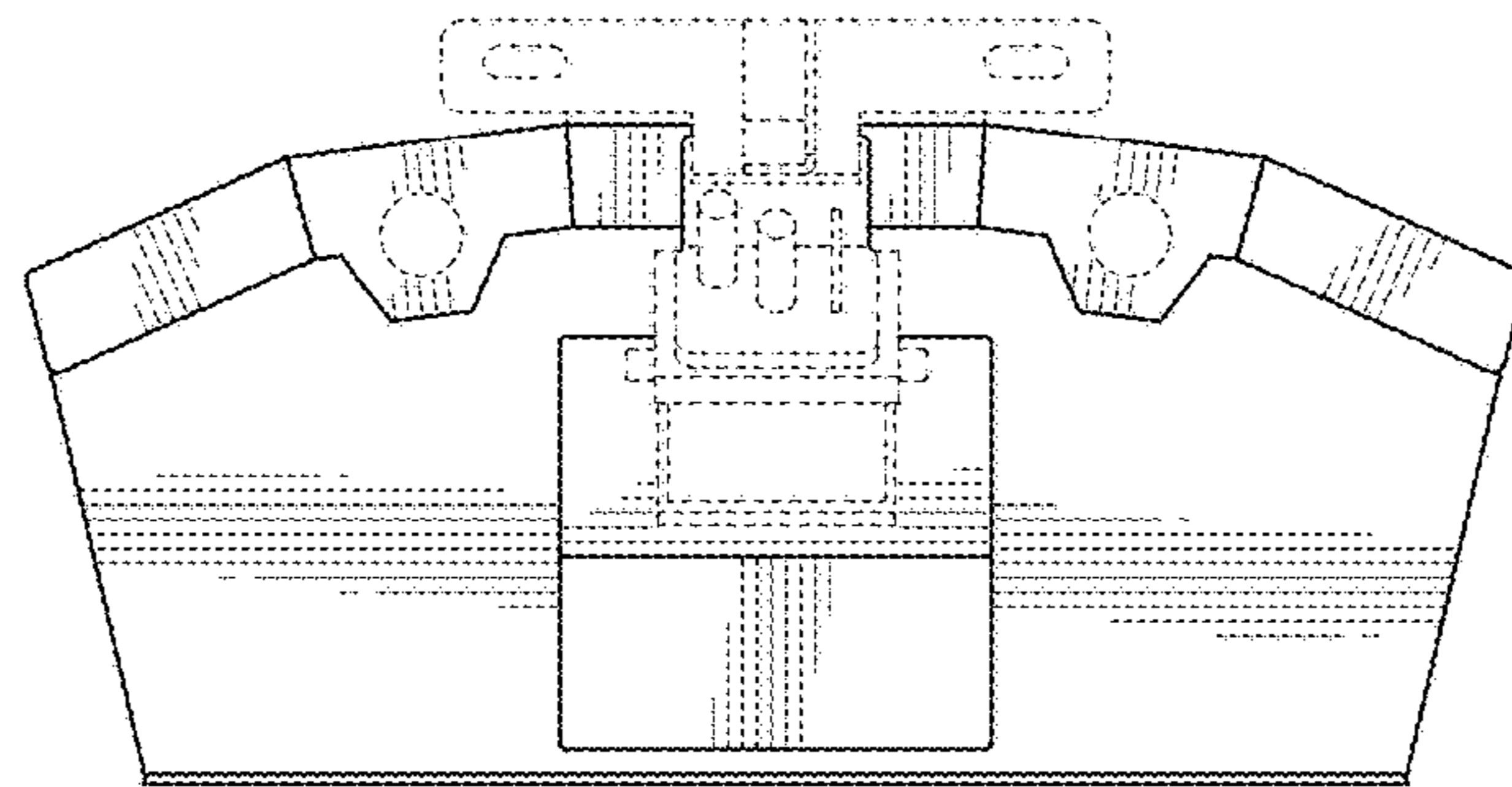


FIG. 5

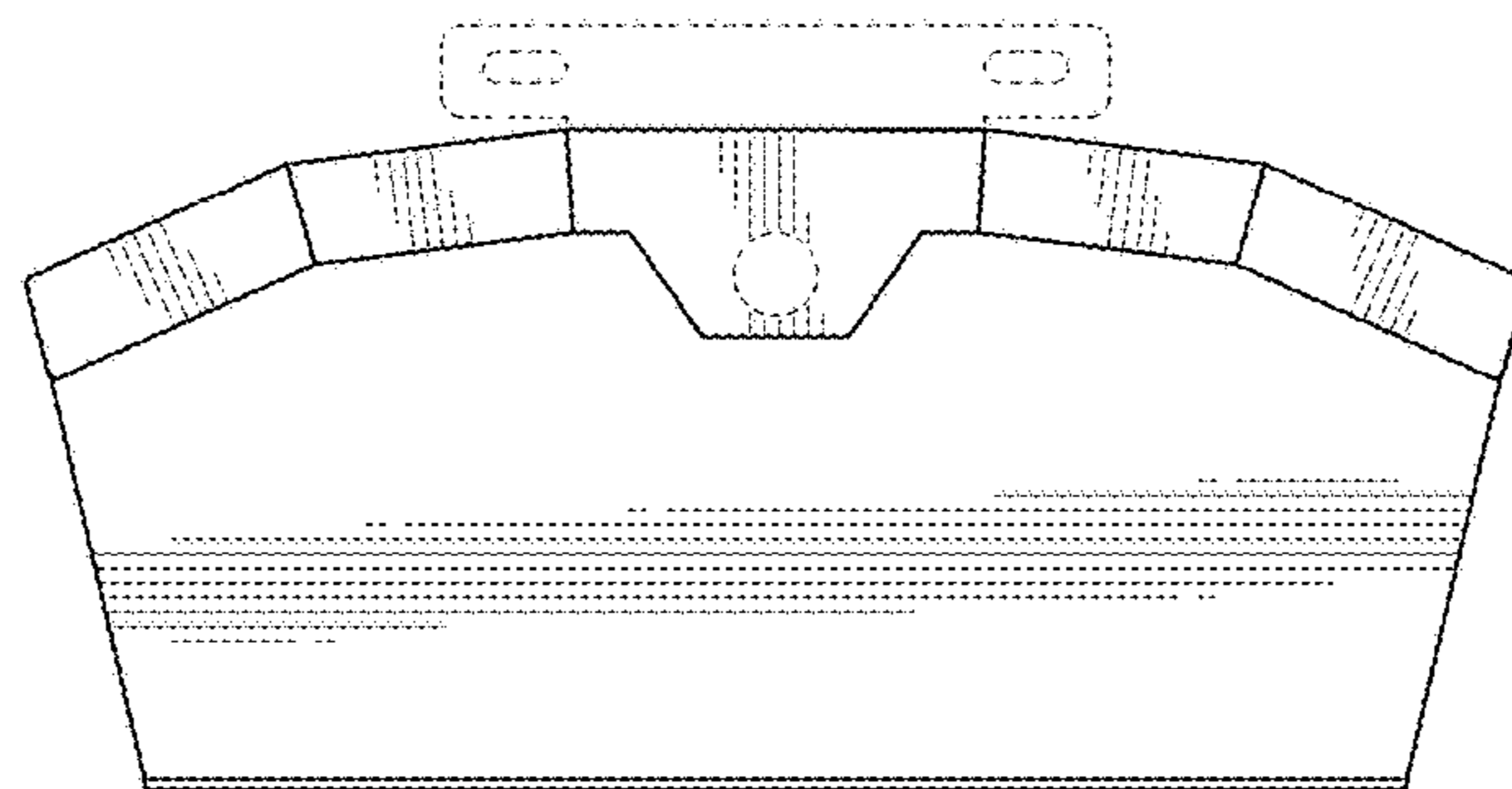


FIG. 6

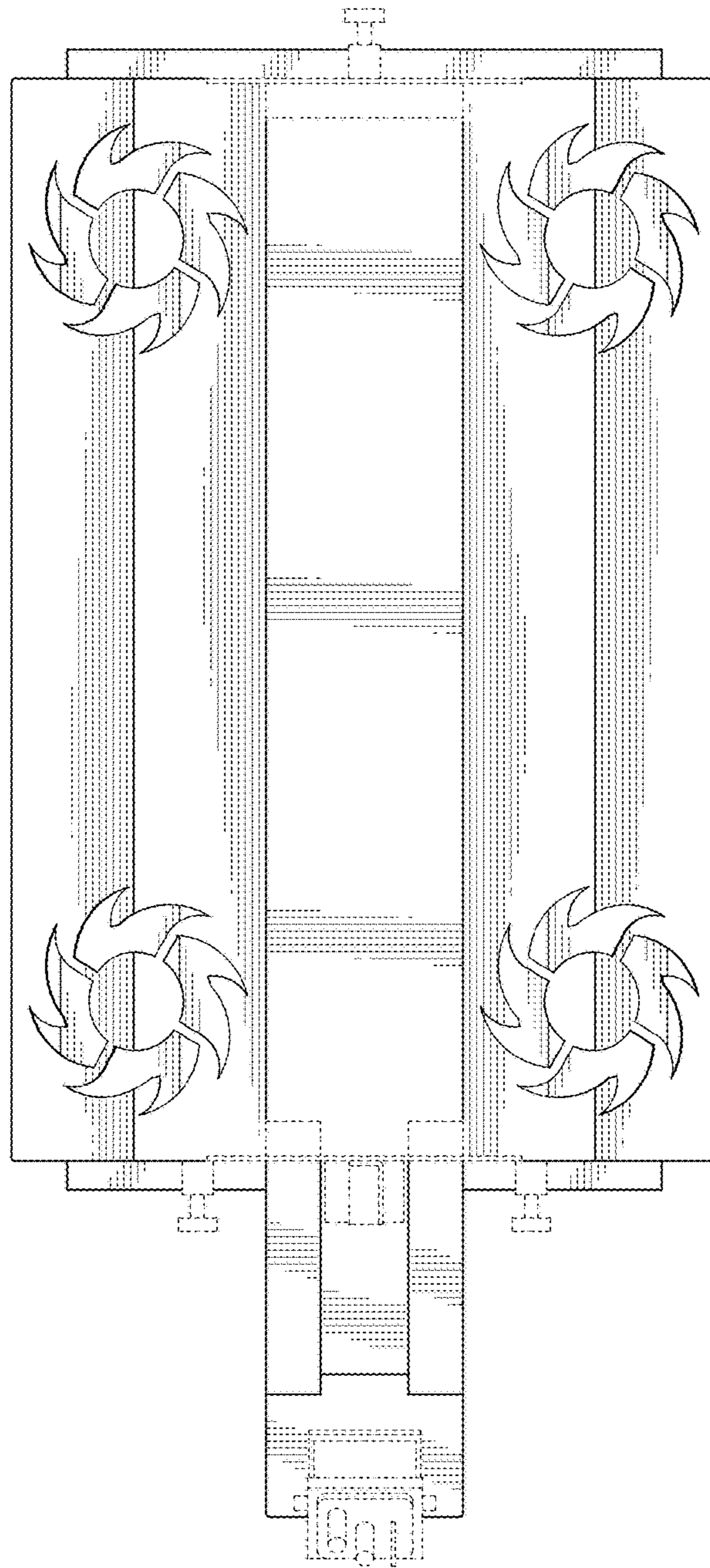


FIG. 7

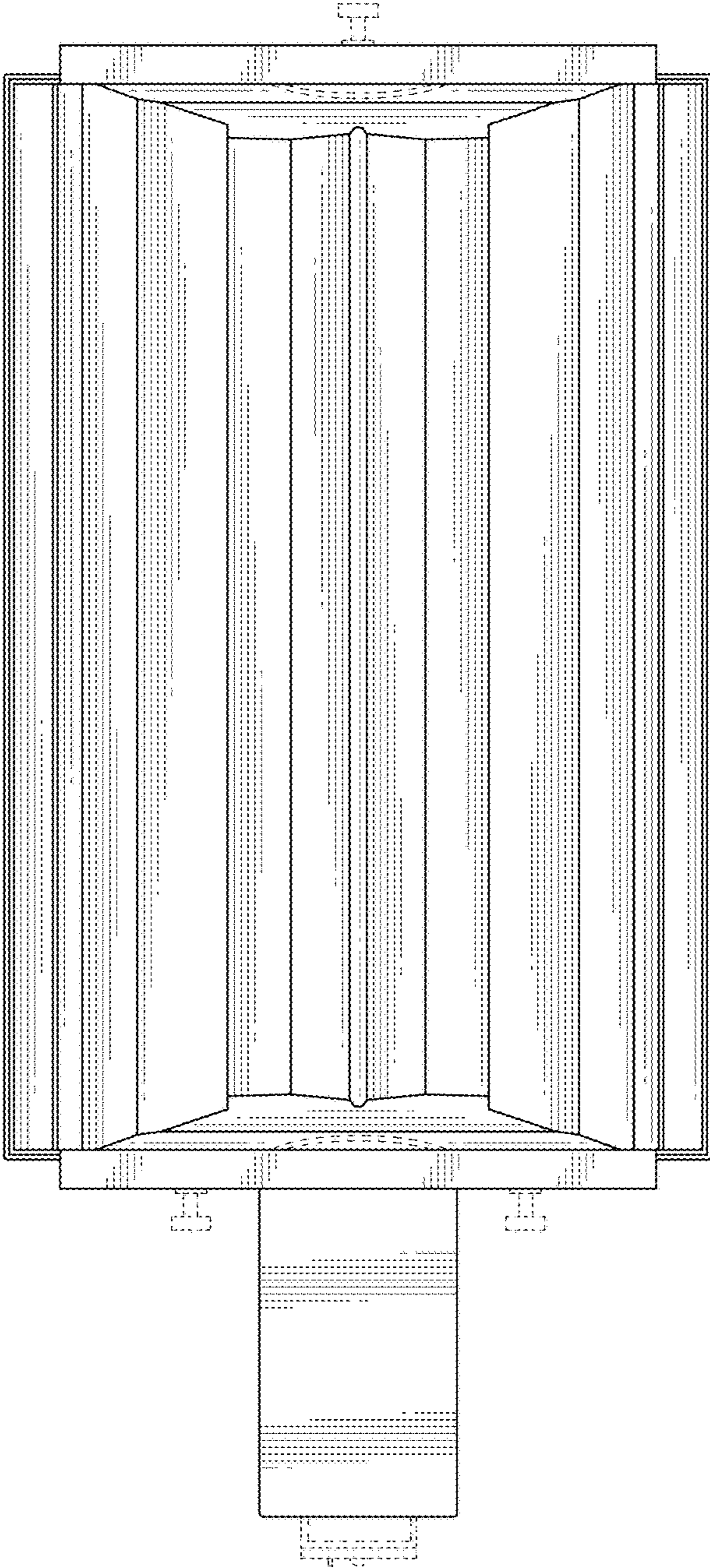


FIG. 8



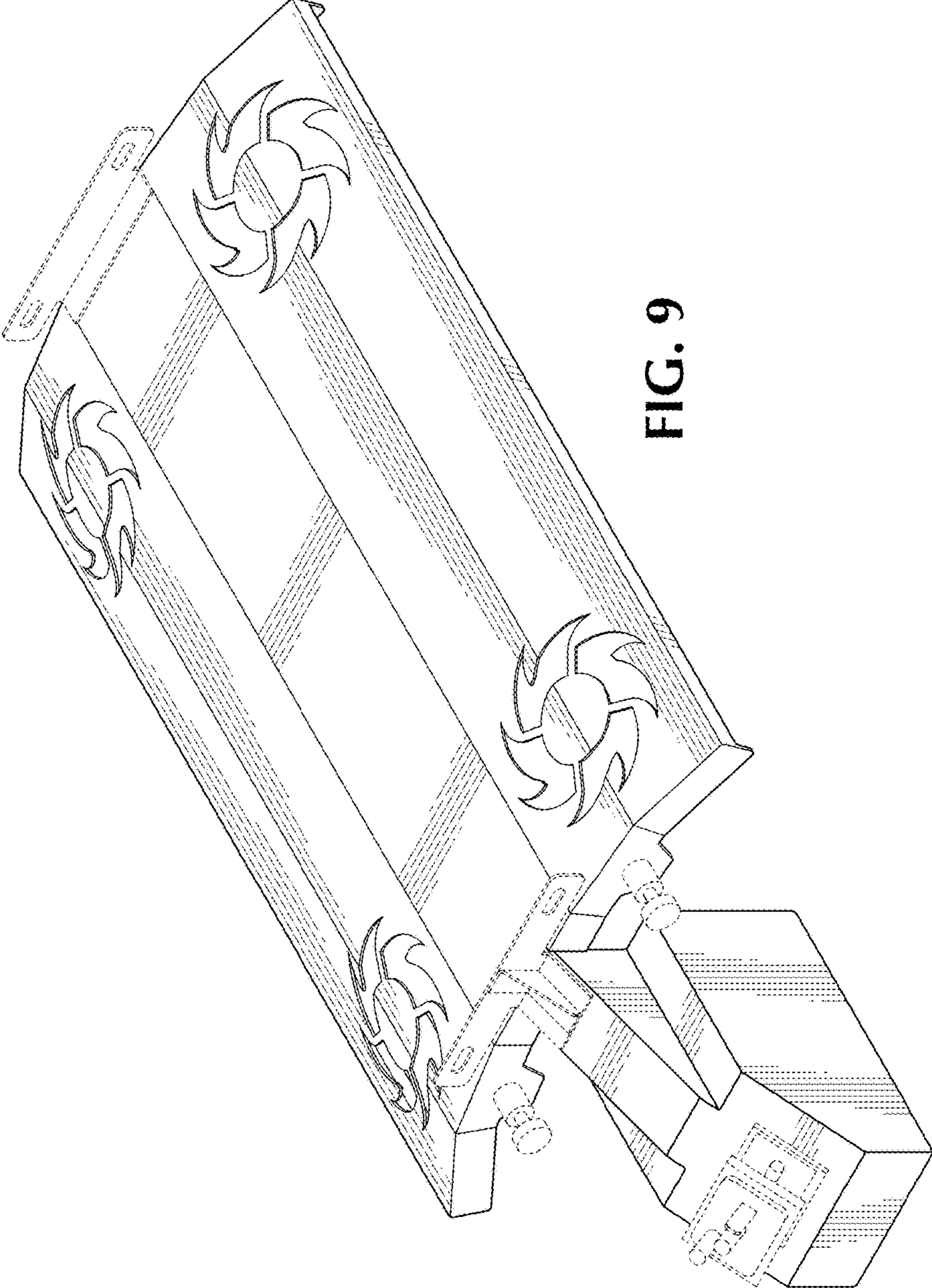


FIG. 9

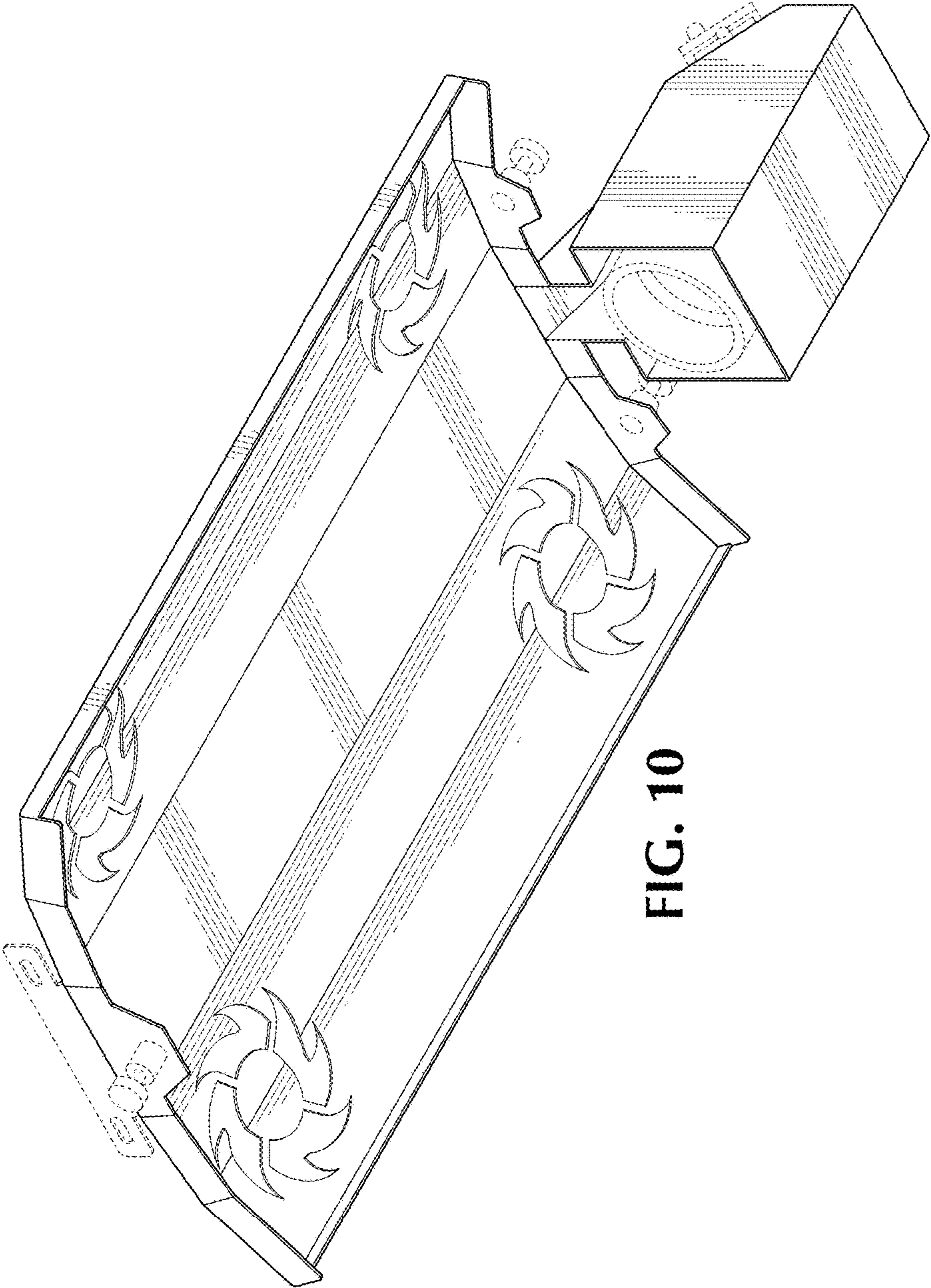


FIG. 10

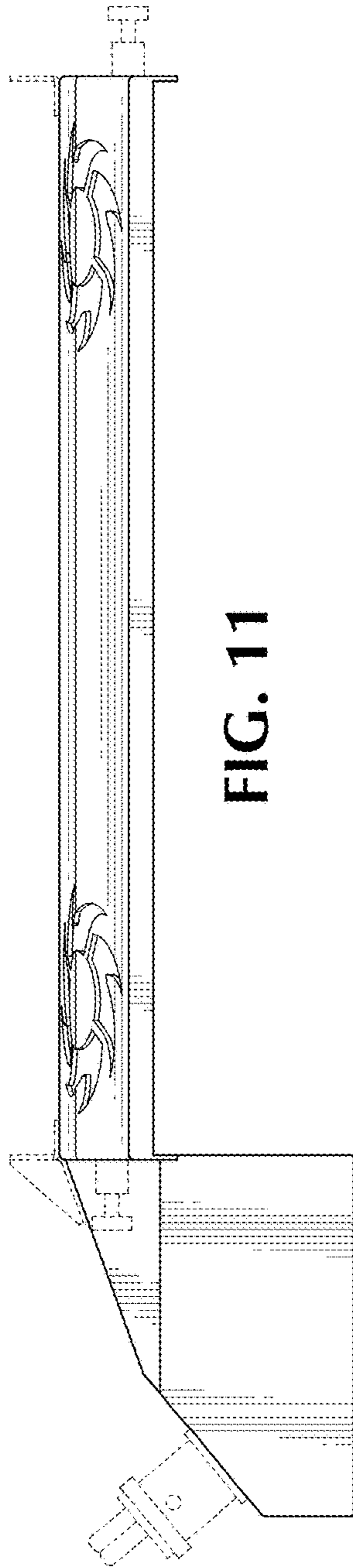


FIG. 11

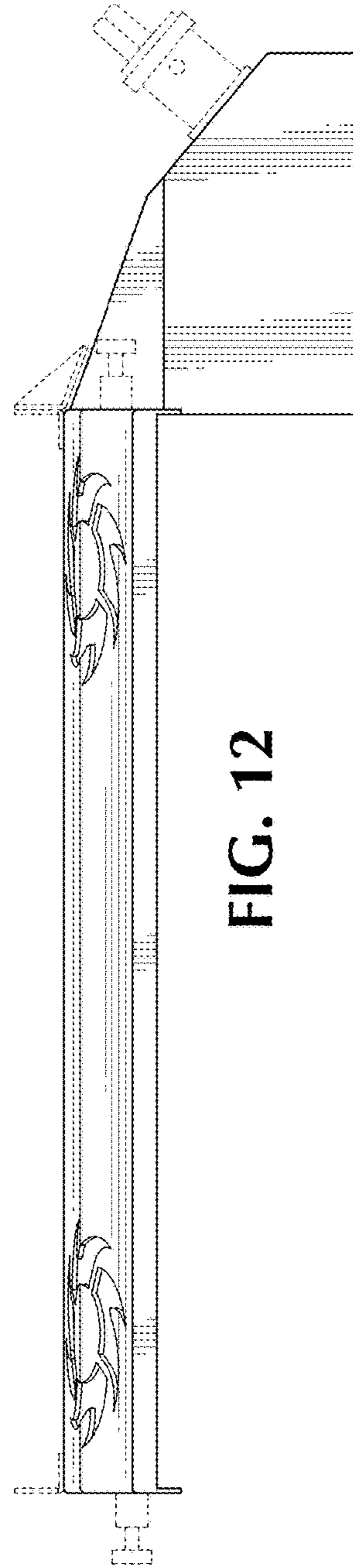
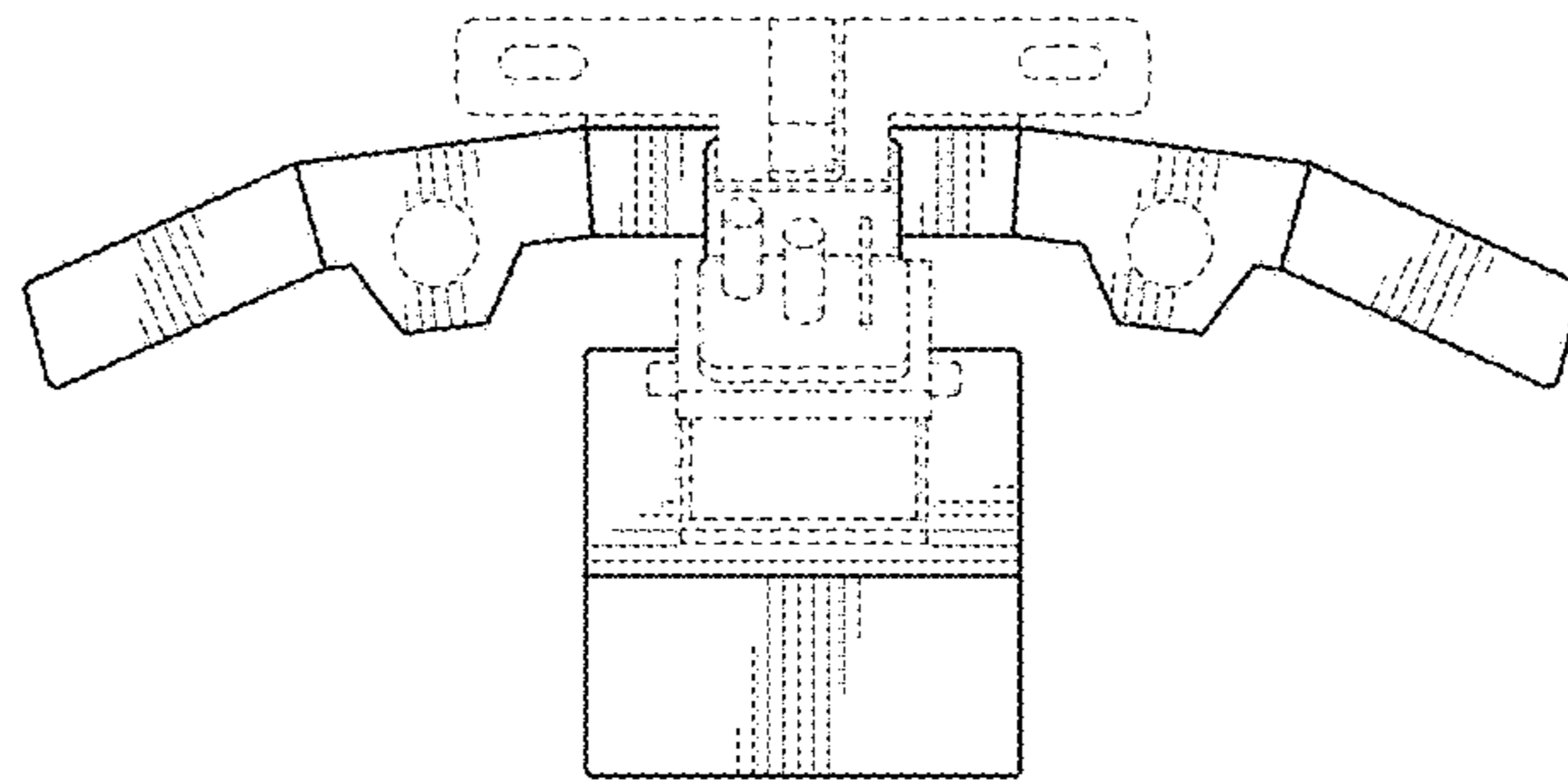
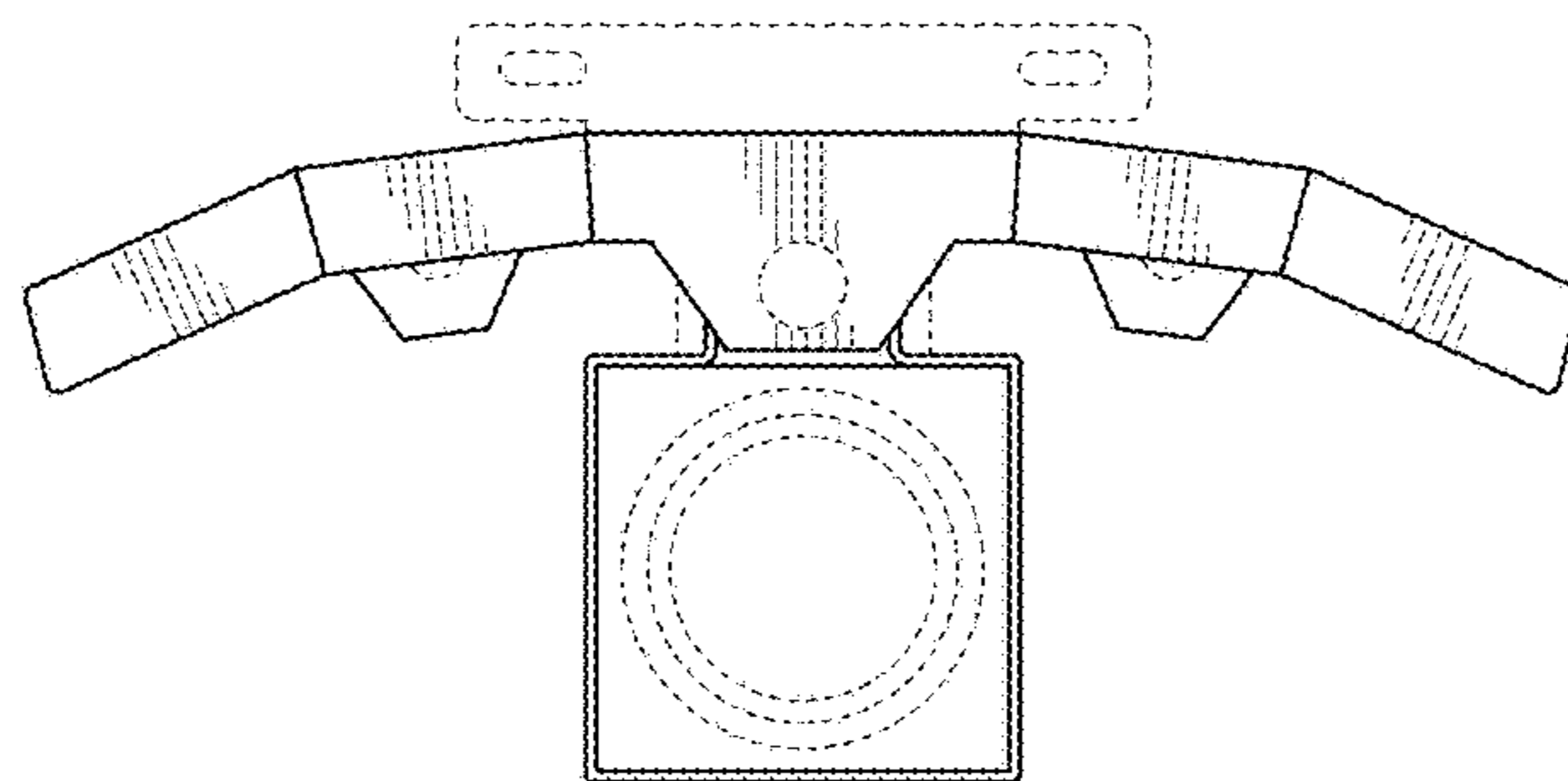


FIG. 12



**FIG. 13**



**FIG. 14**

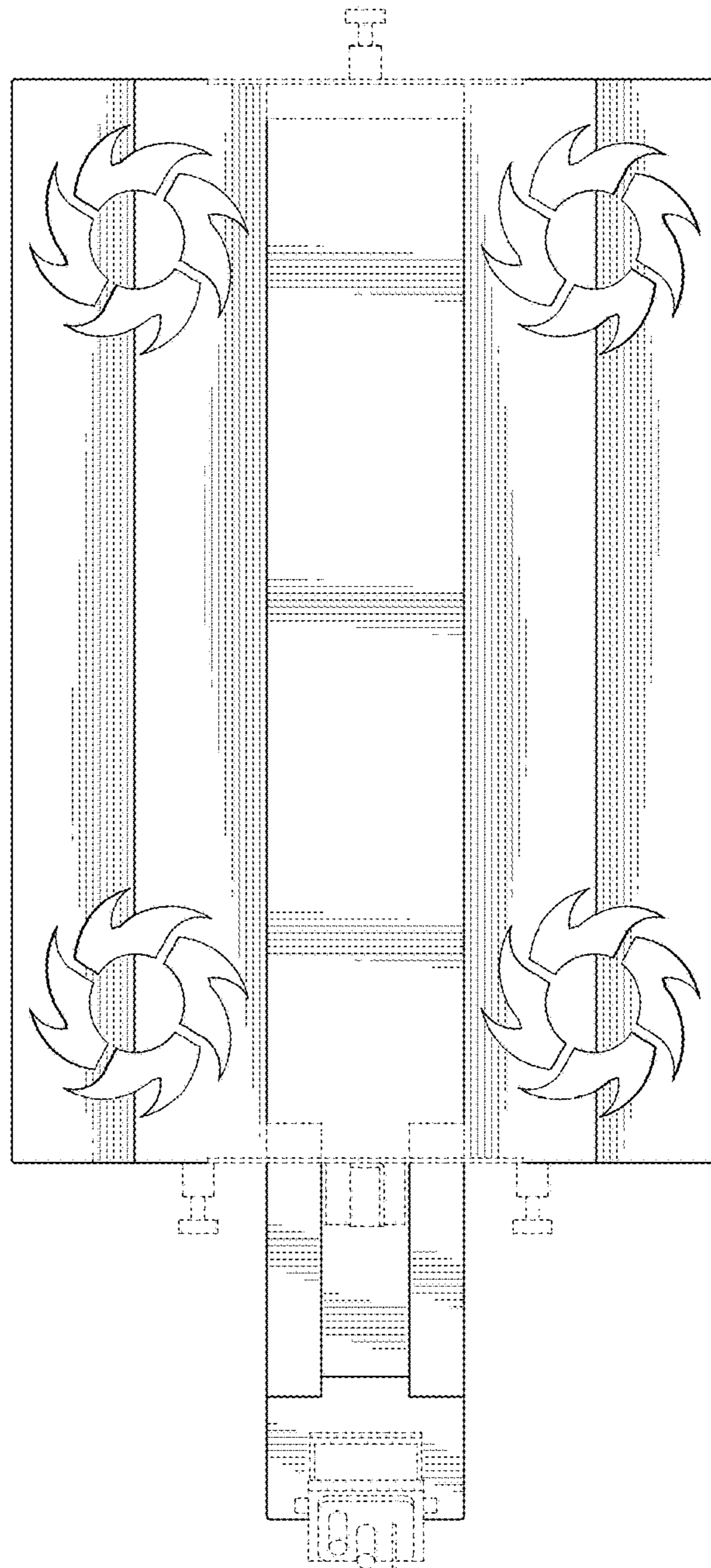


FIG. 15

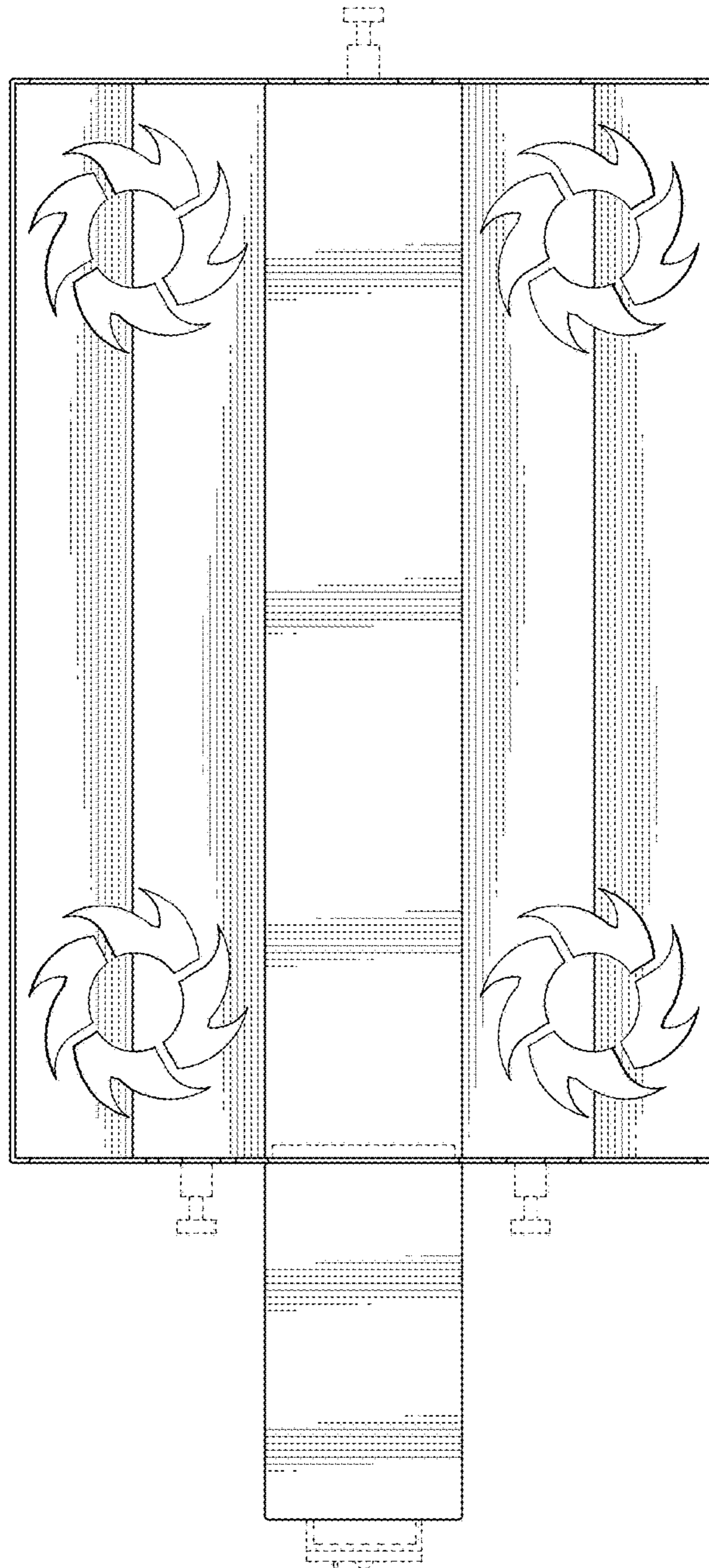


FIG. 16

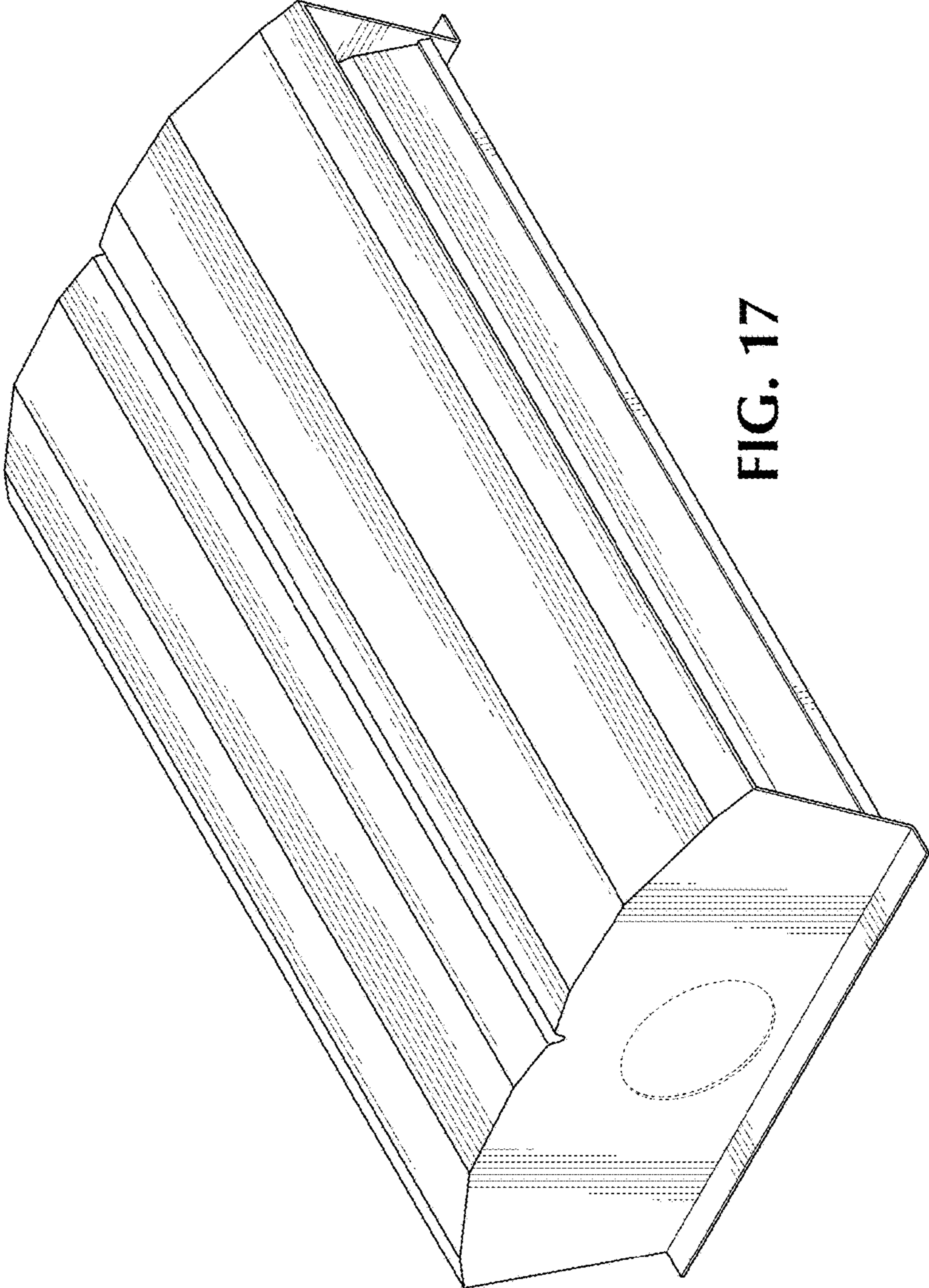


FIG. 17

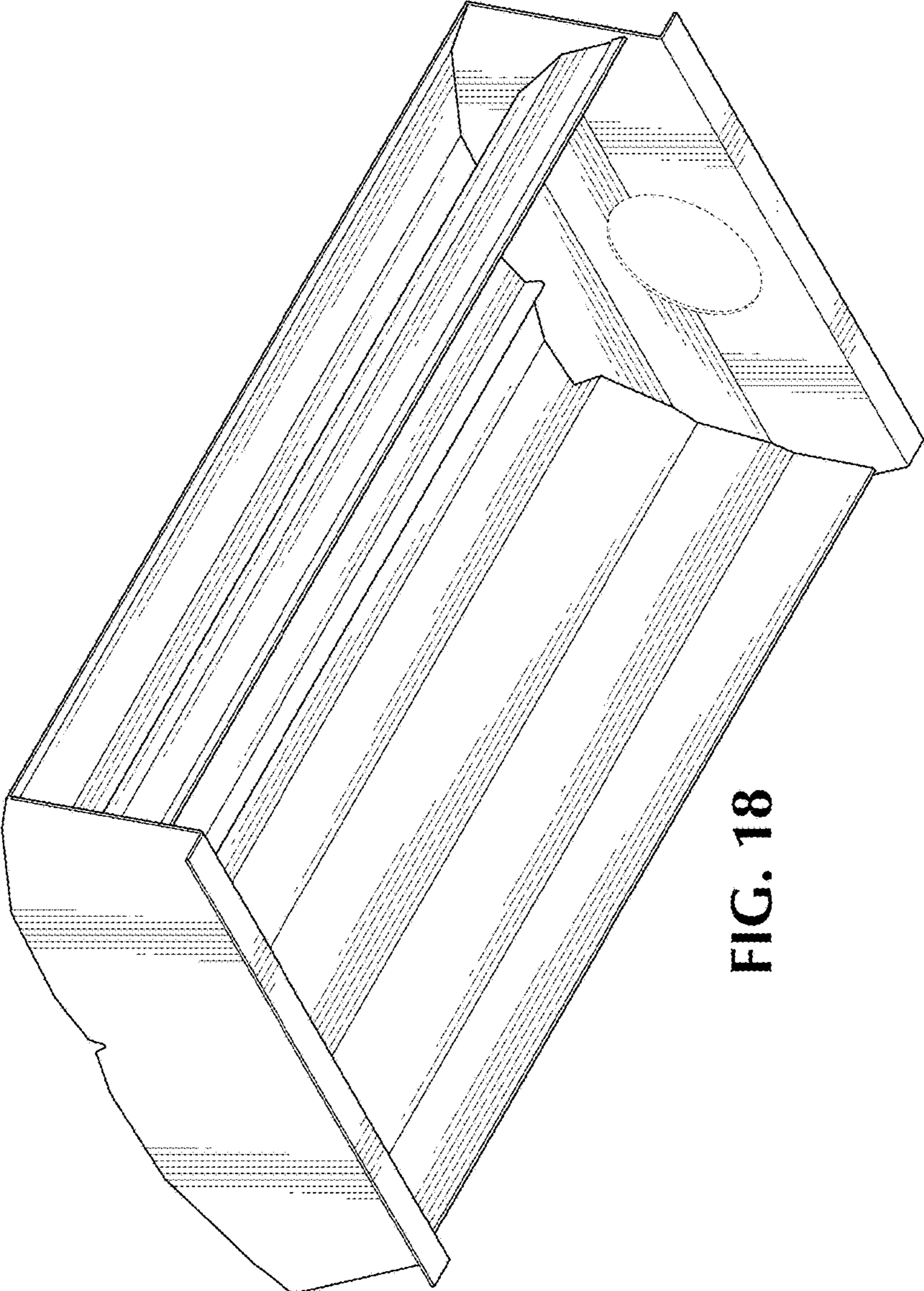


FIG. 18



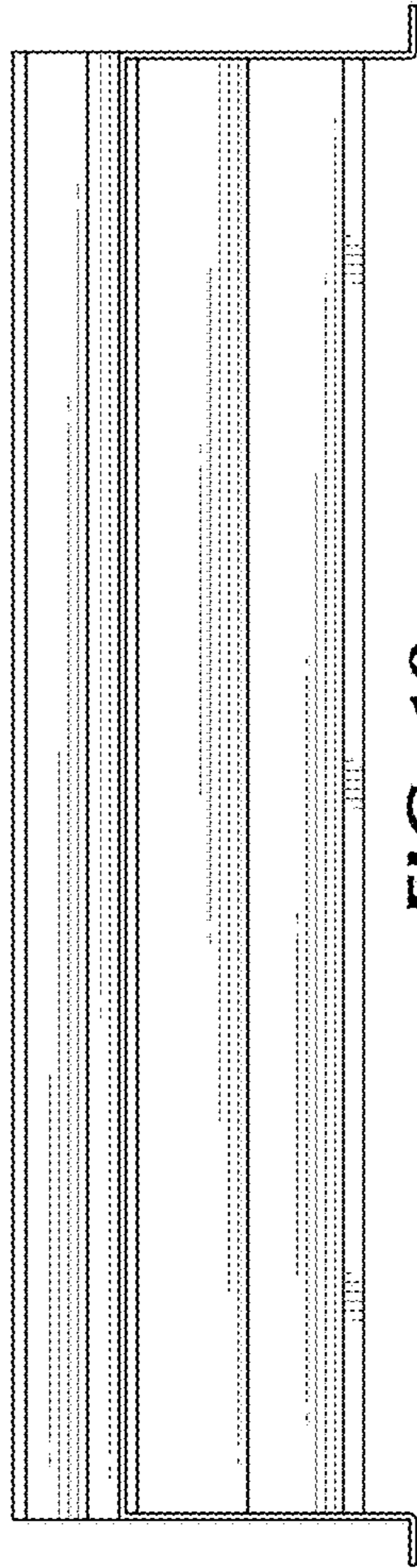


FIG. 19

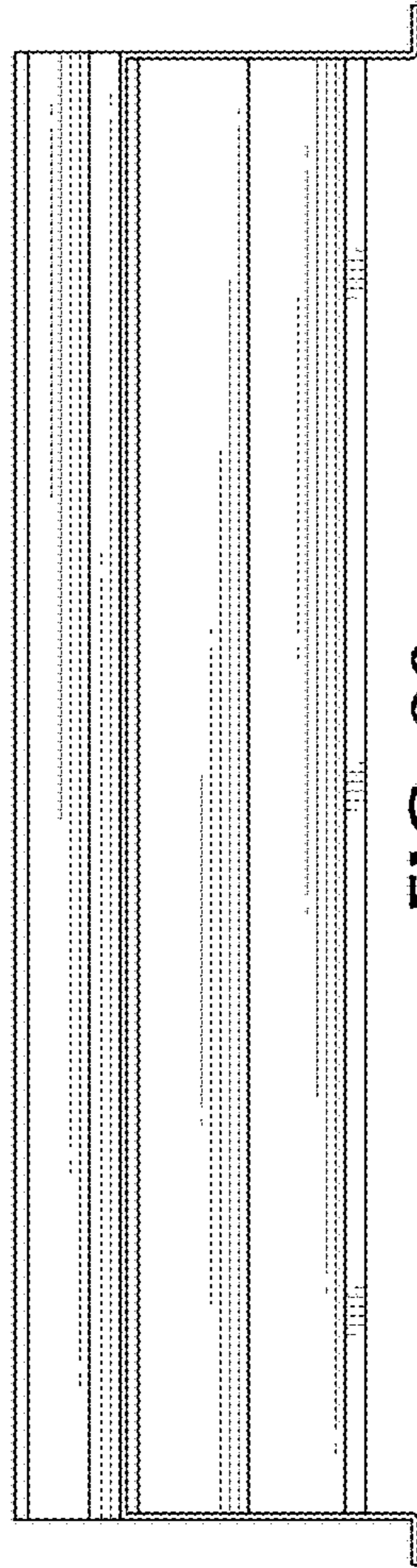


FIG. 20

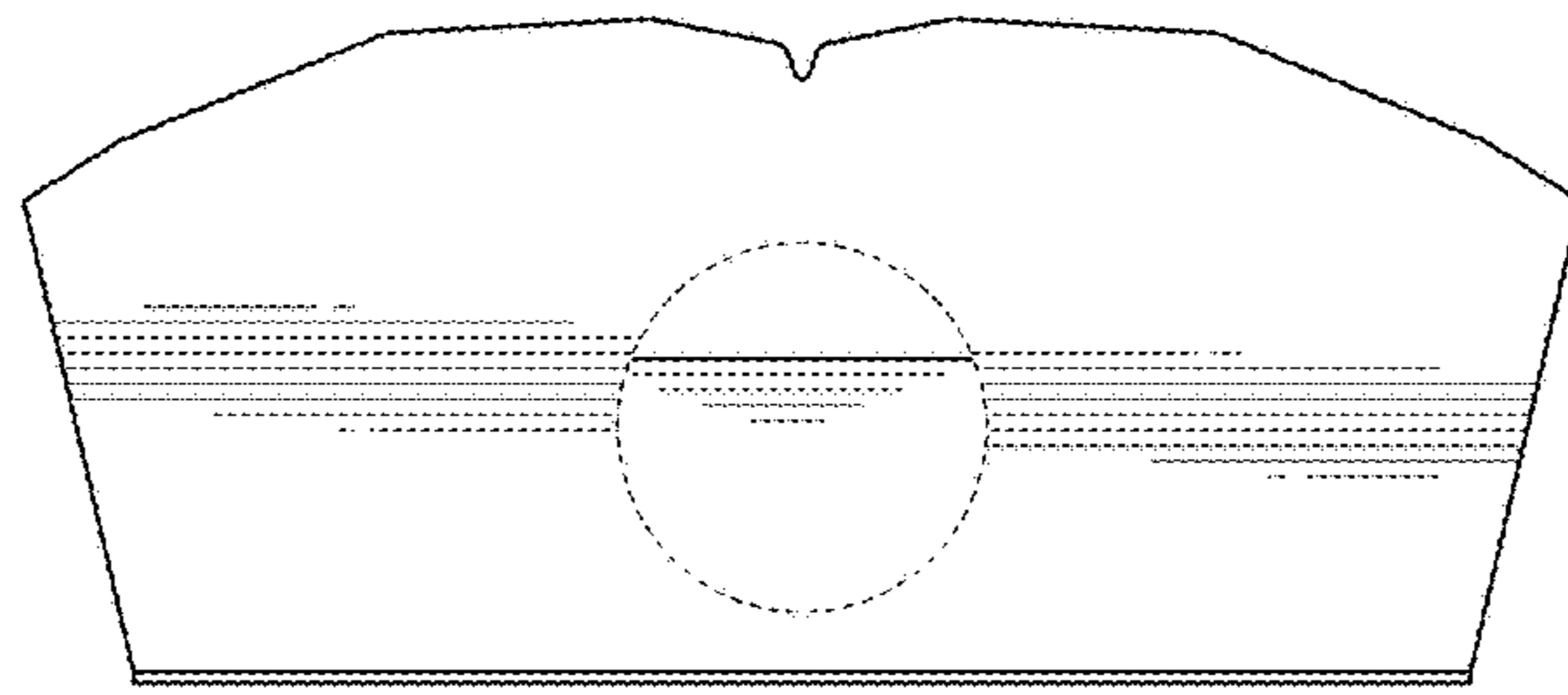


FIG. 21

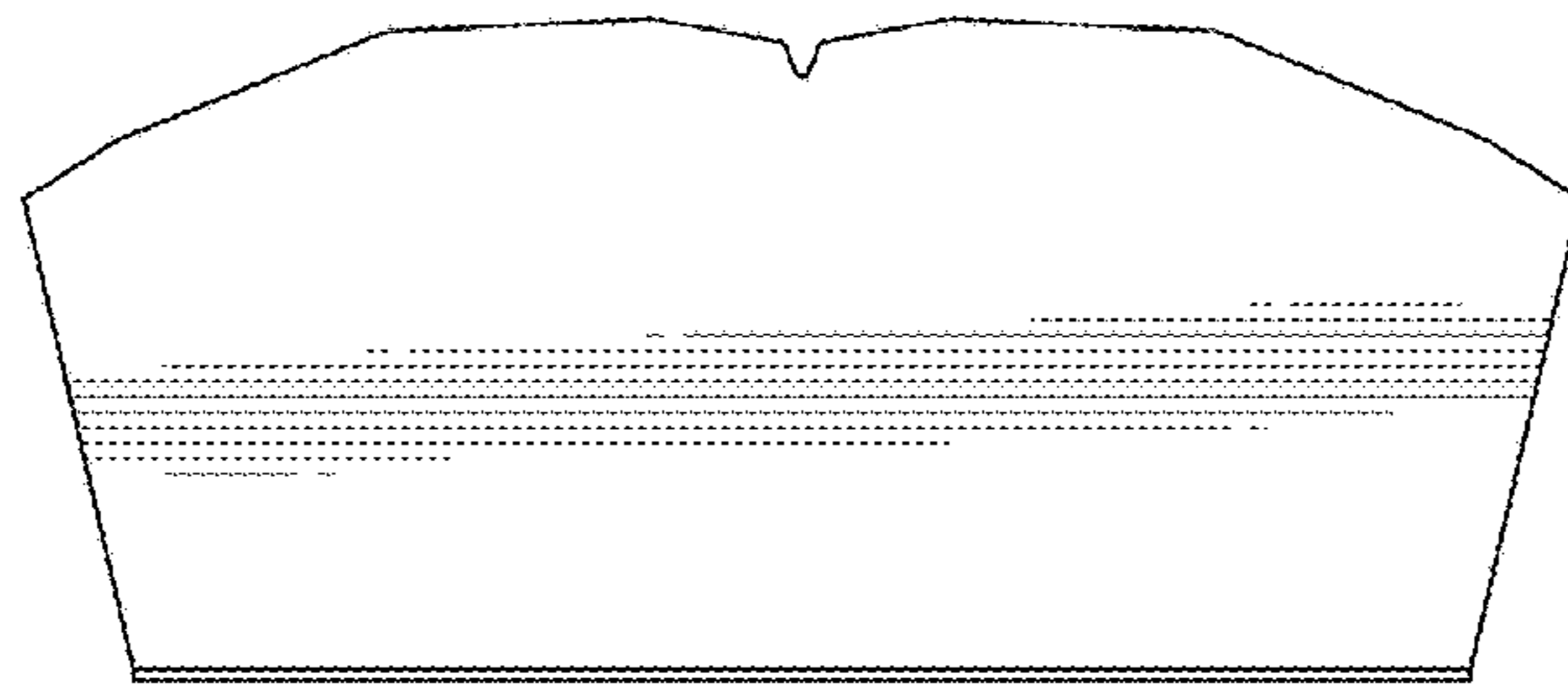


FIG. 22

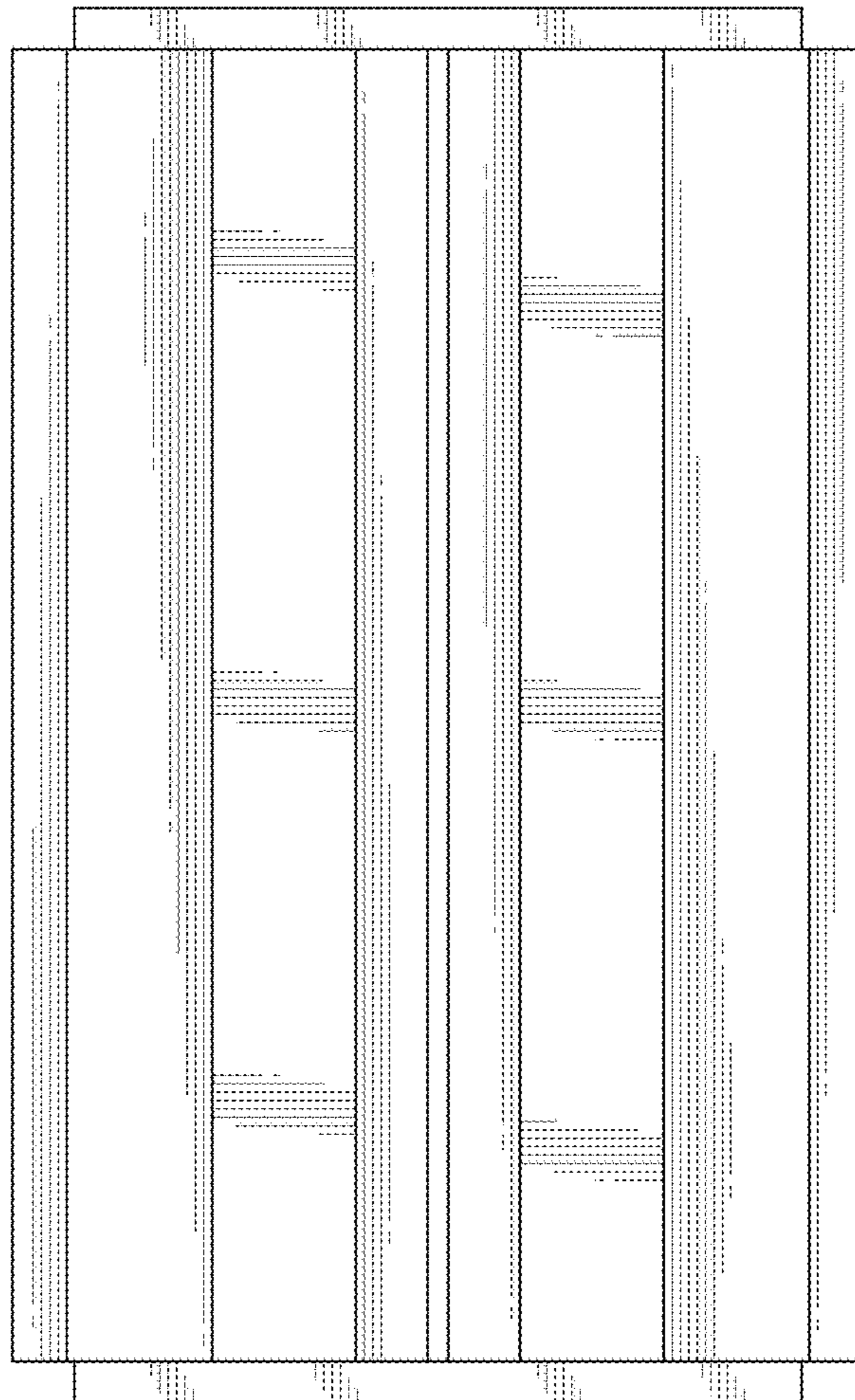


FIG. 23

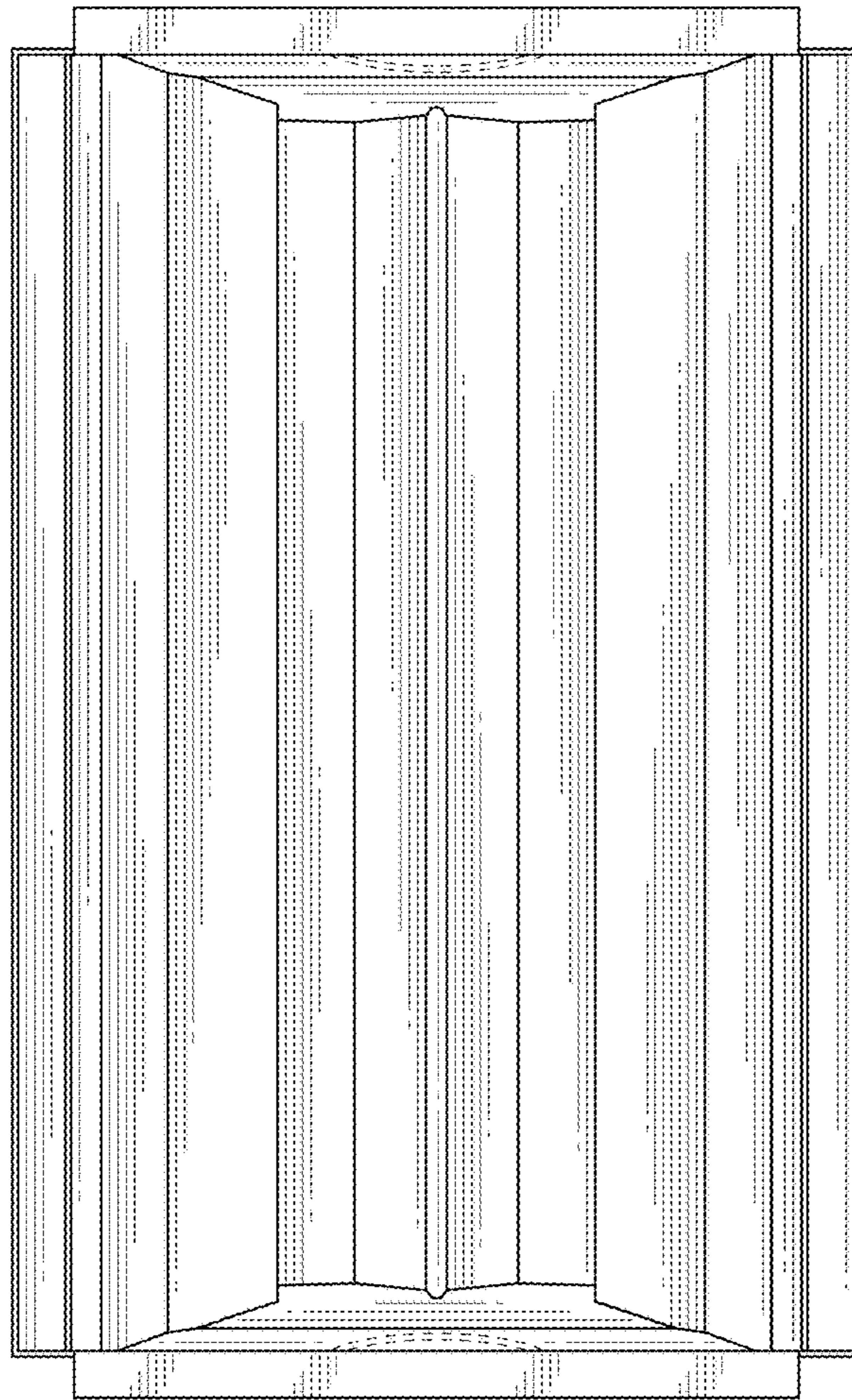


FIG. 24