



US00D843639S

(12) **United States Design Patent** (10) **Patent No.:** **US D843,639 S**
Ahrari et al. (45) **Date of Patent:** **** Mar. 19, 2019**

(54) **LUMINAIRE**

(71) Applicant: **Hubbell Incorporated**, Shelton, CT (US)

(72) Inventors: **Armin Ahrari**, Chino, CA (US);
Edward Duncan, Chino, CA (US);
Kevin Lu, Fountain Valley, CA (US);
Qianshan Li, San Gabriel, CA (US);
Dean Dal Ponte, Glendale, CA (US);
Syed Raza, Rancho Palos Verdes, CA (US);
Benjamin Peirick, Greenville, SC (US)

(73) Assignee: **Hubbell Incorporated**, Shelton, CT (US)

(**) Term: **15 Years**

(21) Appl. No.: **29/602,956**

(22) Filed: **May 5, 2017**

(51) **LOC (11) Cl.** **26-99**

(52) **U.S. Cl.**
USPC **D26/118**

(58) **Field of Classification Search**
USPC D26/63, 65, 72, 85, 87, 89, 118, 120,
D26/121; D23/366
CPC F21S 8/03; F21S 8/031; F21S 8/033; F21S
8/035; F21S 8/036; F21S 8/037; F21V
1/12; F21V 7/05
See application file for complete search history.

(56) **References Cited**

U.S. PATENT DOCUMENTS

D313,669 S * 1/1991 Sonneman D26/85
D386,801 S * 11/1997 Orgovan D26/72
D398,415 S * 9/1998 Markee D26/118
D403,458 S * 12/1998 Walz D26/85
D469,910 S * 2/2003 St-Pierre D26/85
D540,978 S * 4/2007 Cormier D26/120
D591,883 S * 5/2009 Gill D26/63

D595,477 S * 7/2009 Loret D1/121
D625,460 S * 10/2010 Boissevain D26/118
D646,425 S * 10/2011 Crosby D26/85
D711,040 S * 8/2014 Huang D26/120
D735,927 S * 8/2015 Lee D26/120
D735,928 S * 8/2015 Hawkins D26/120
D748,238 S * 1/2016 Mecker D23/366

(Continued)

OTHER PUBLICATIONS

INVUE Installation Insutructions, Cooper Lighting, Peachtree City, GA (4 pages).

Primary Examiner — Brian N. Vinson

(74) *Attorney, Agent, or Firm* — Michael Best & Friedrich, LLP

(57) **CLAIM**

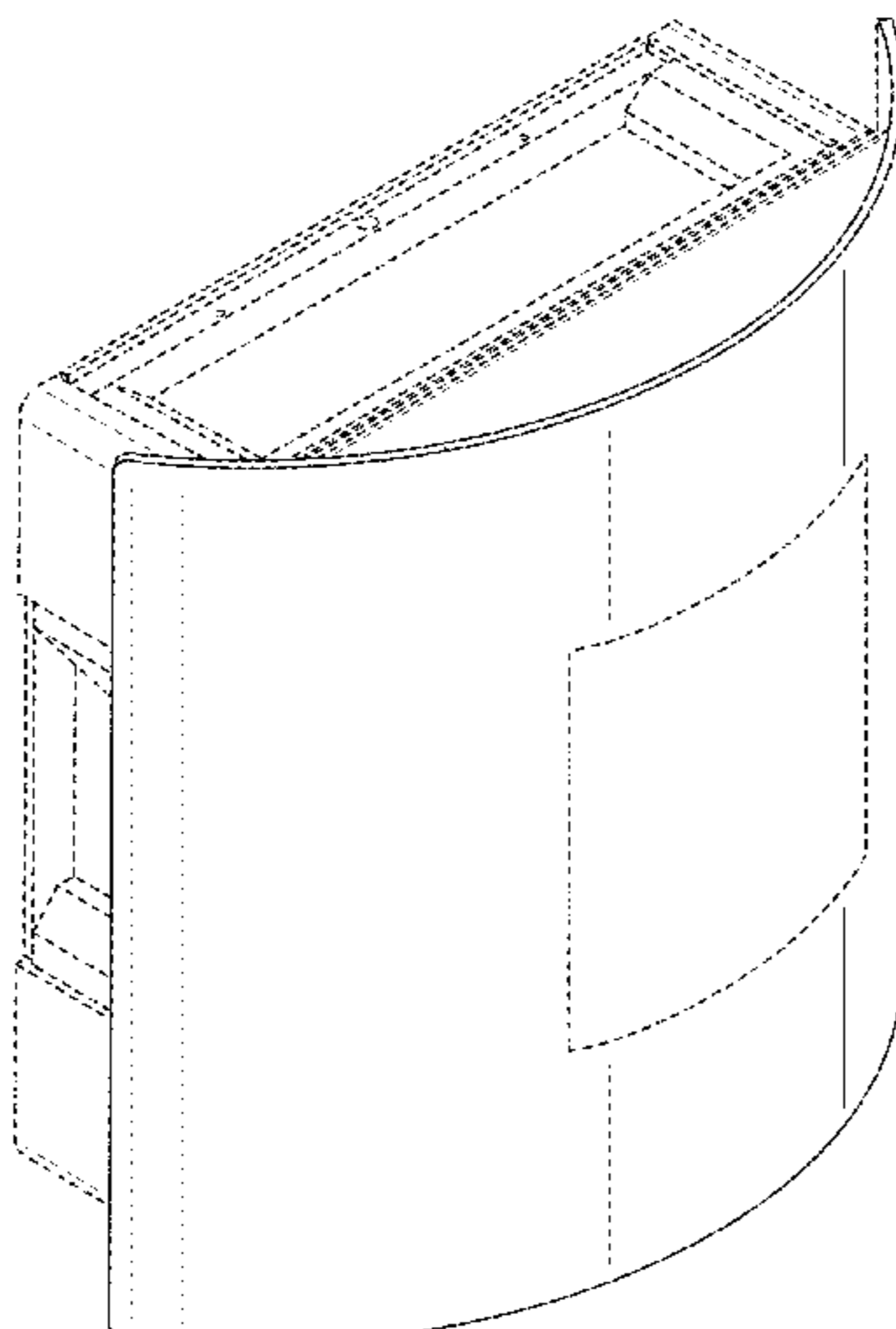
We claim the ornamental design for a luminaire, as shown and described.

DESCRIPTION

FIG. 1 is an upper perspective view of a luminaire showing the new design.
FIG. 2 is a front elevation view of the luminaire shown in FIG. 1.
FIG. 3 is a first side elevation view of the luminaire shown in FIG. 1.
FIG. 4 is a second side elevation view of the luminaire shown in FIG. 1.
FIG. 5 is a top plan view of the luminaire shown in FIG. 1.
FIG. 6 is a bottom plan view of the luminaire shown in FIG. 1; and,
FIG. 7 is a lower perspective view of the luminaire shown in FIG. 1.

Rear views are not part of the claimed design. The elements shown in broken lines are included for the purpose of illustrating portions of the luminaire that form no part of the claimed design.

1 Claim, 7 Drawing Sheets



(56)

References Cited

U.S. PATENT DOCUMENTS

D757,347 S *	5/2016	Chen	D26/120
D781,481 S *	3/2017	Chen	D26/65
D784,589 S *	4/2017	Chen	D26/65
D796,723 S *	9/2017	Sonneman	D26/120
D796,724 S *	9/2017	Sonneman	D26/85
D797,985 S *	9/2017	Perkins	D26/118

* cited by examiner

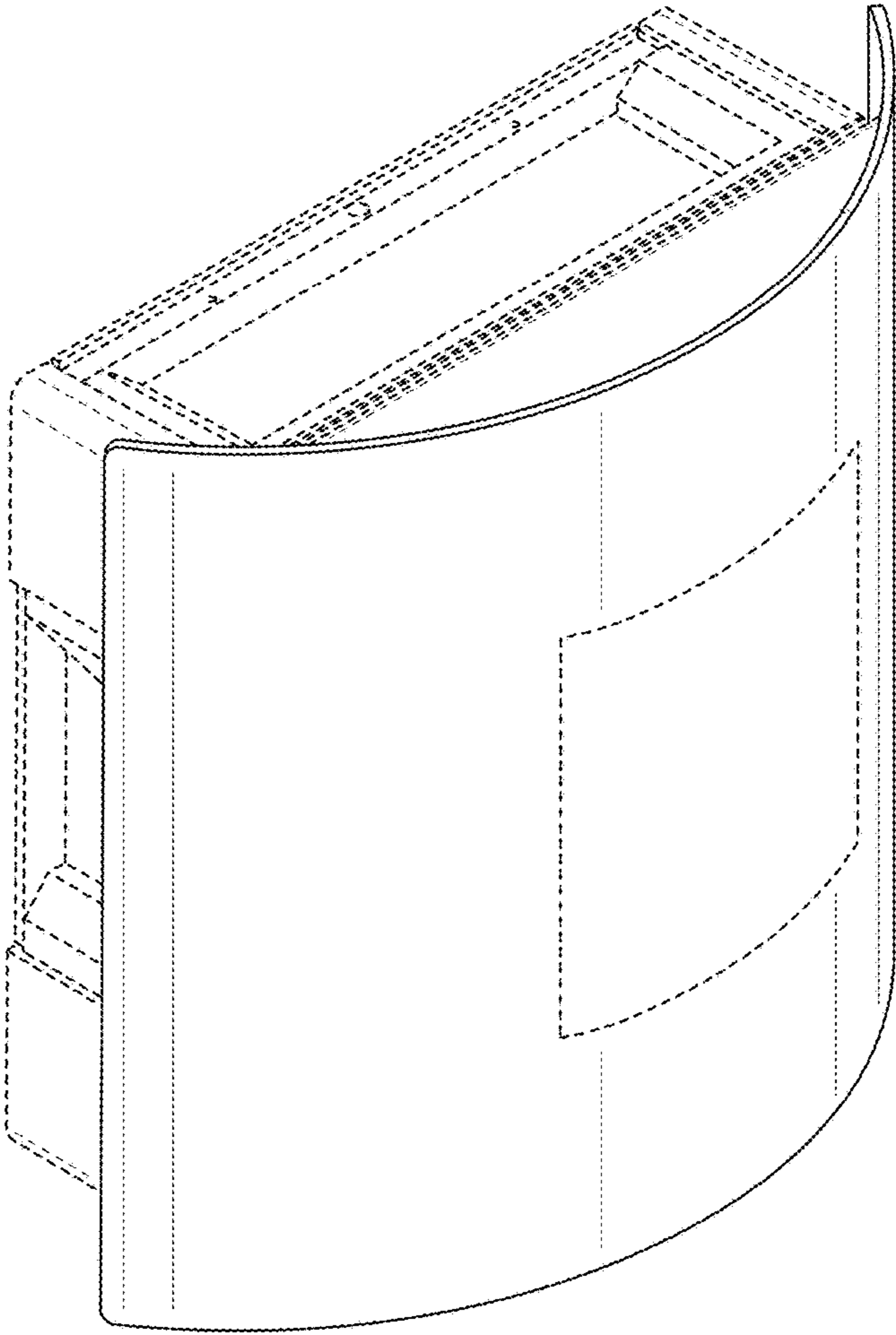


FIG. 1

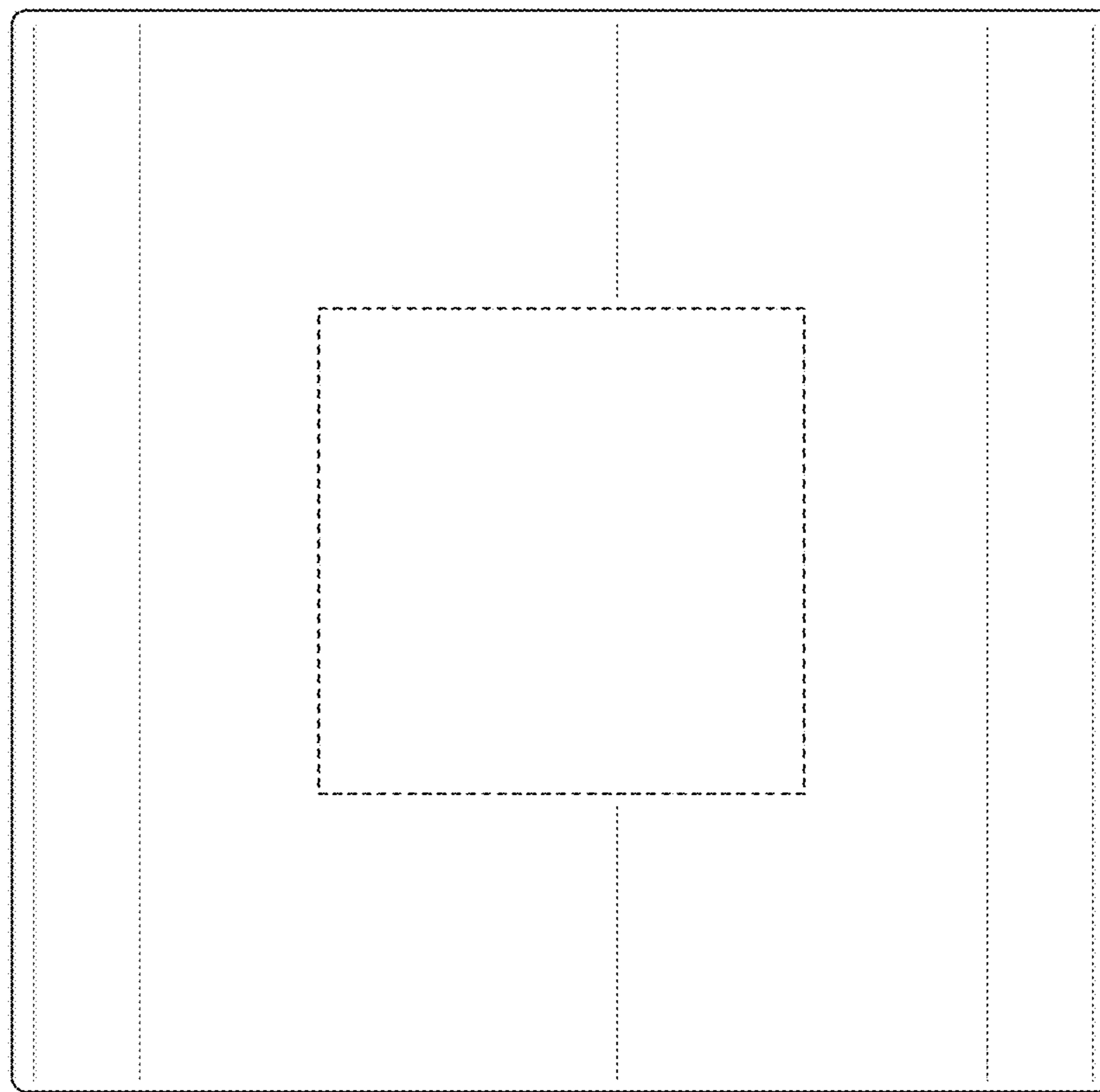


FIG. 2

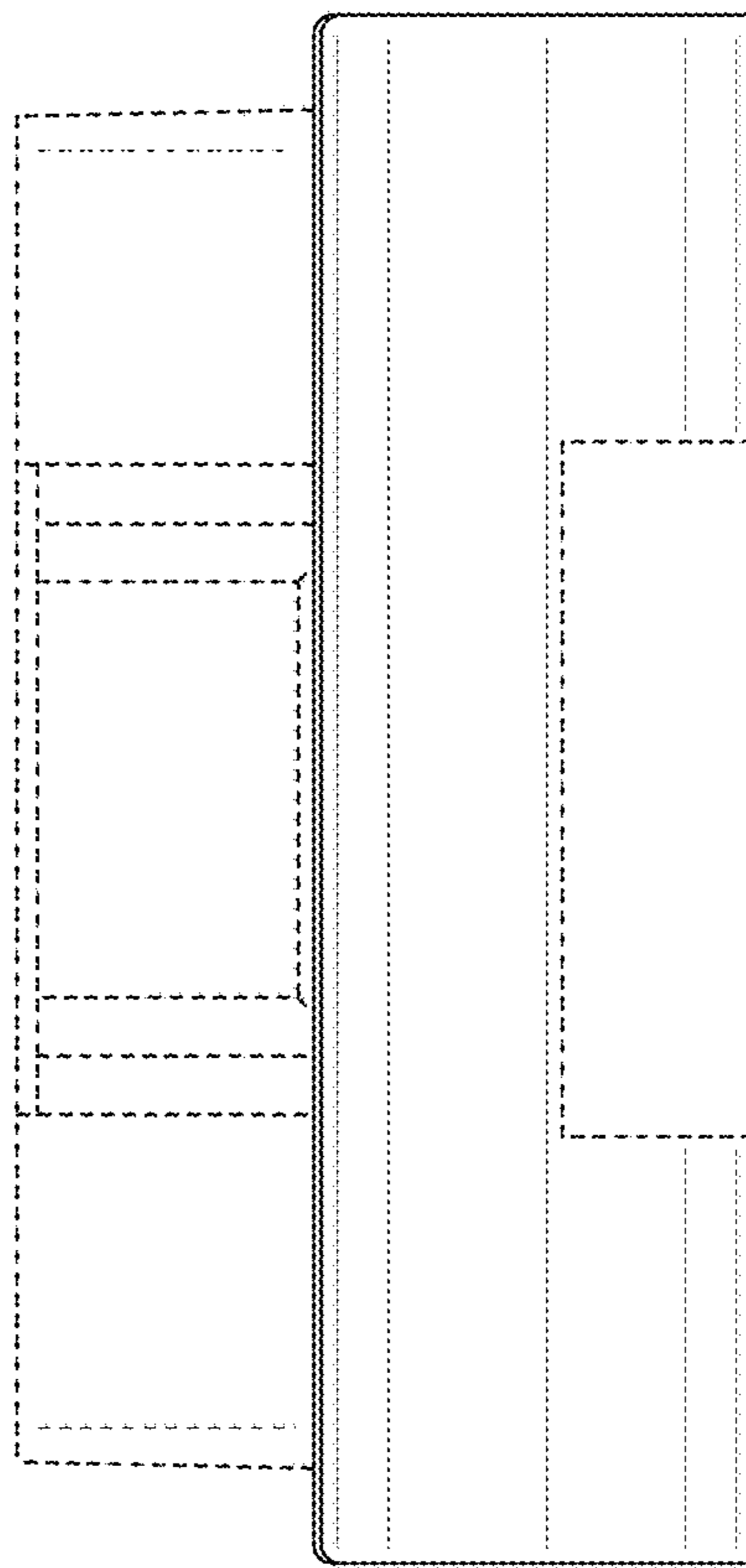


FIG. 3

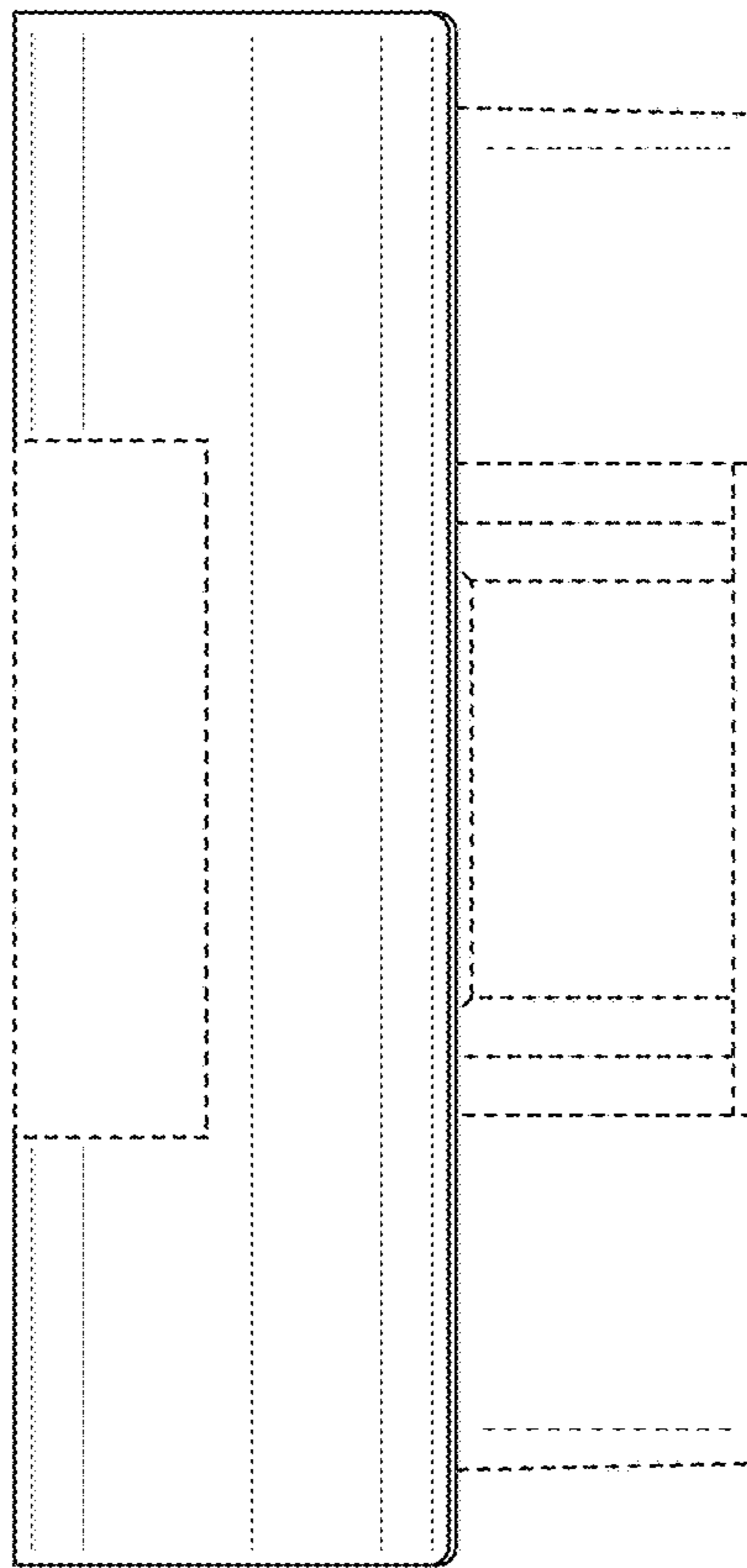


FIG. 4

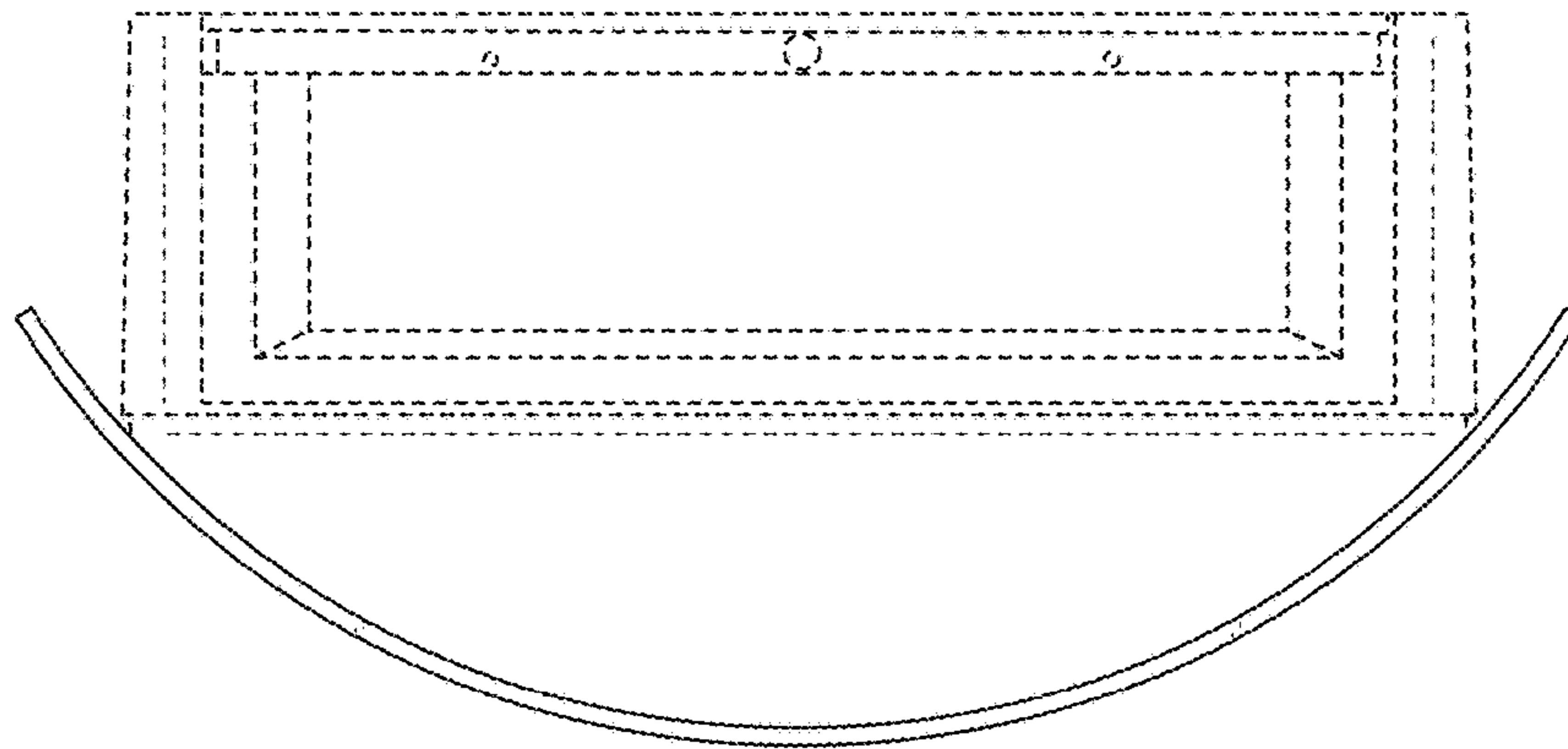


FIG. 5

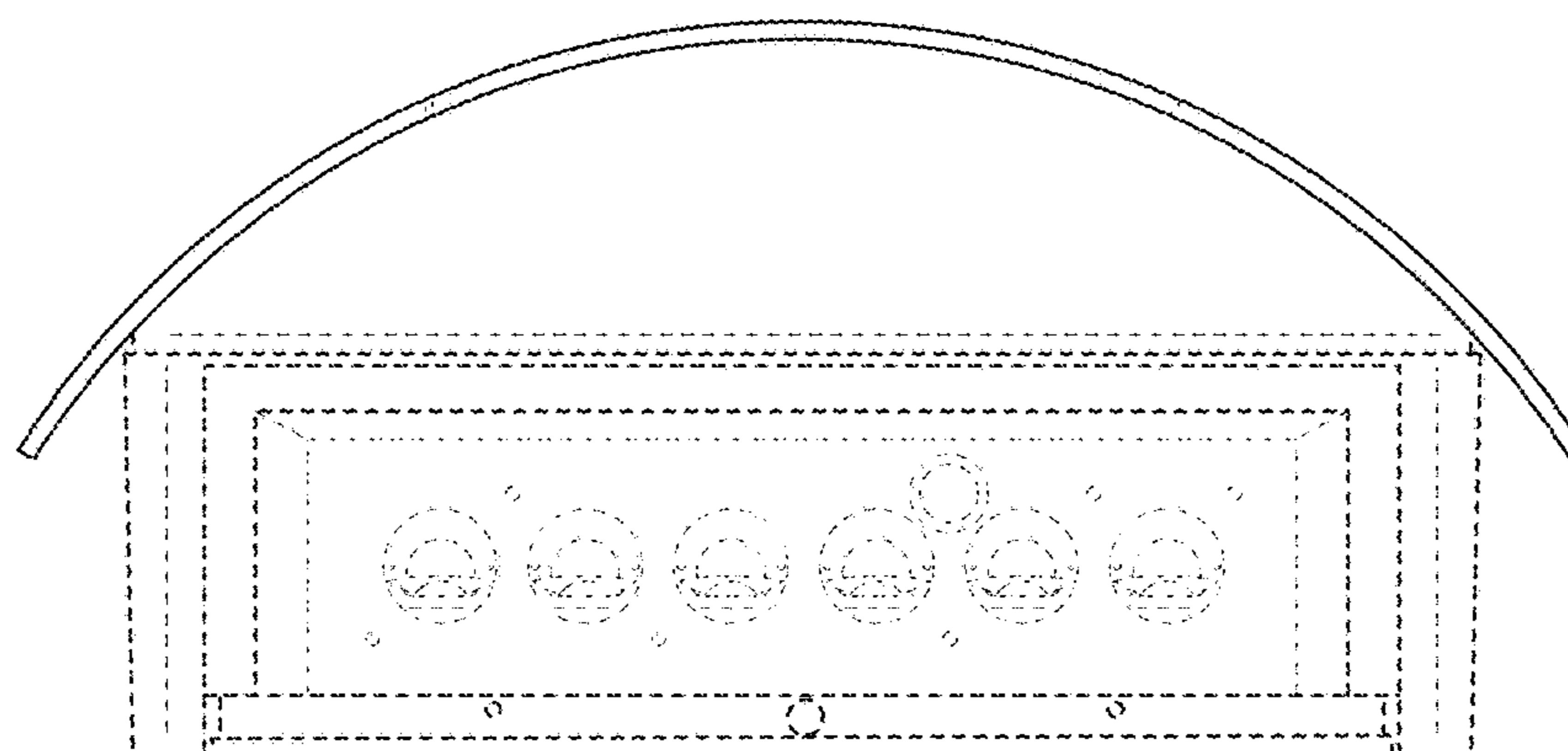


FIG. 6

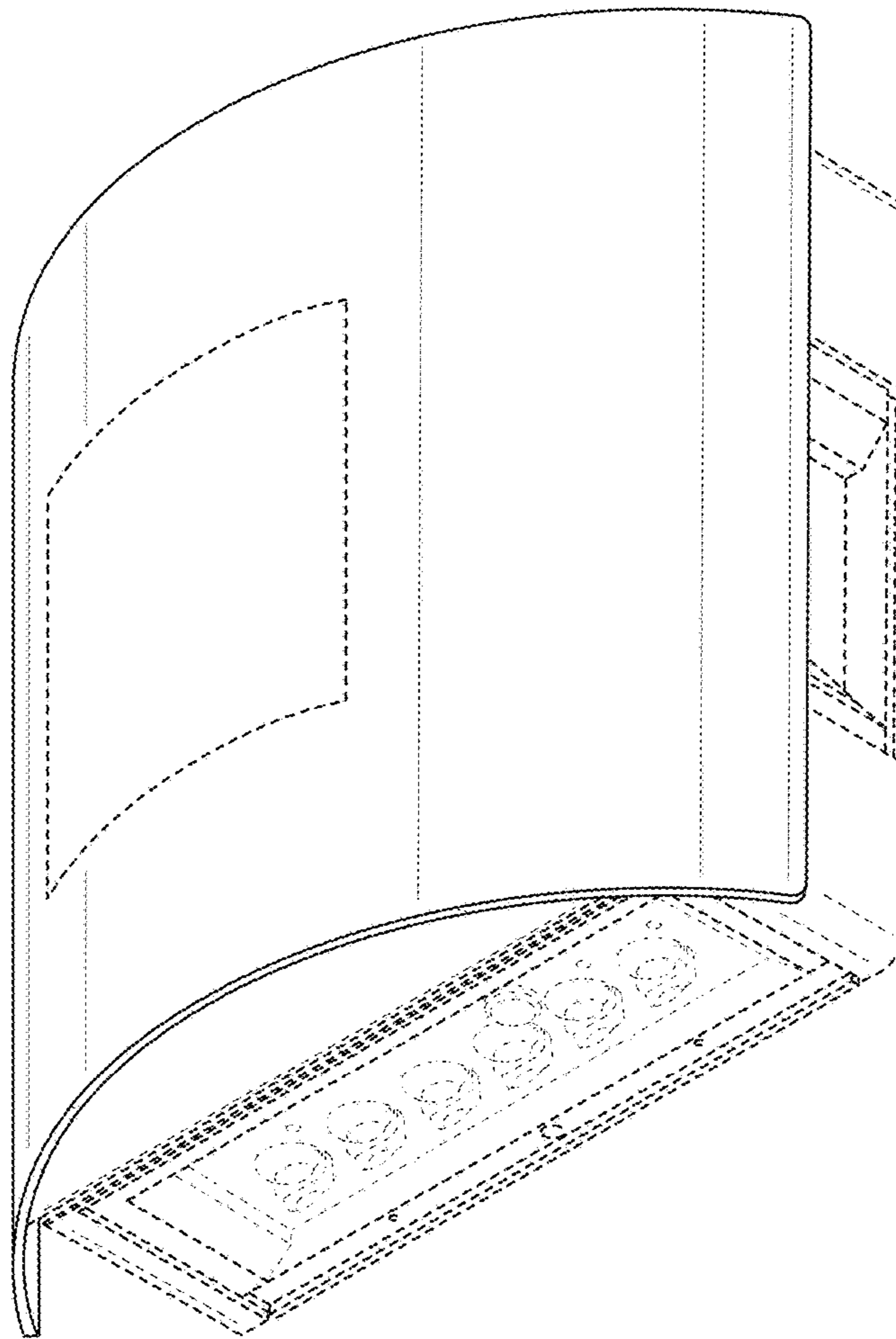


FIG. 7