



US00D843638S

(12) **United States Design Patent**
Xiang et al.

(10) **Patent No.:** **US D843,638 S**

(45) **Date of Patent:** **** *Mar. 19, 2019**

(54) **LIGHTING ELEMENT FOR LUMINAIRE**

(71) Applicant: **MaxLite, Inc.**, West Caldwell, NJ (US)

(72) Inventors: **Jun Xiang**, Parsippany, NJ (US);
Aymen Chami, Hackettstown, NJ (US);
Arthur R. Phidd, Caldwell, NJ (US);
Jae-Young Choi, West Caldwell, NJ (US)

(73) Assignee: **Maxlite, Inc.**, West Caldwell, NJ (US)

(*) Notice: This patent is subject to a terminal disclaimer.

(**) Term: **15 Years**

(21) Appl. No.: **29/603,268**

(22) Filed: **May 8, 2017**

(51) **LOC (11) Cl.** **26-99**

(52) **U.S. Cl.**
USPC **D26/113**

(58) **Field of Classification Search**
USPC D26/1, 24, 61, 63, 65, 72, 85, 87, 92,
D26/113, 118
CPC F21V 21/14; F21V 15/01; F21V 14/02;
F21V 21/30; F21V 21/00; F21V 14/00;
F21S 8/00; F21S 8/003; F21S 8/043;
F21Y 2105/001
See application file for complete search history.

(56) **References Cited**

U.S. PATENT DOCUMENTS

D563,014 S * 2/2008 Levine D26/63
D641,905 S * 7/2011 Janssen D26/63

D694,449 S * 11/2013 Walker D26/63
D695,946 S * 12/2013 Duquette D26/63
D751,745 S * 3/2016 Wang D26/63
D762,903 S * 8/2016 Tsai D26/63
D770,074 S * 10/2016 Romano D26/63
D796,719 S * 9/2017 Zhu D26/63
D803,448 S * 11/2017 Dupras D26/63
D809,693 S * 2/2018 Wan D26/63
D812,796 S * 3/2018 Ruberg D26/63

* cited by examiner

Primary Examiner — Brian N. Vinson

(74) *Attorney, Agent, or Firm* — Budzyn IP Law, LLC

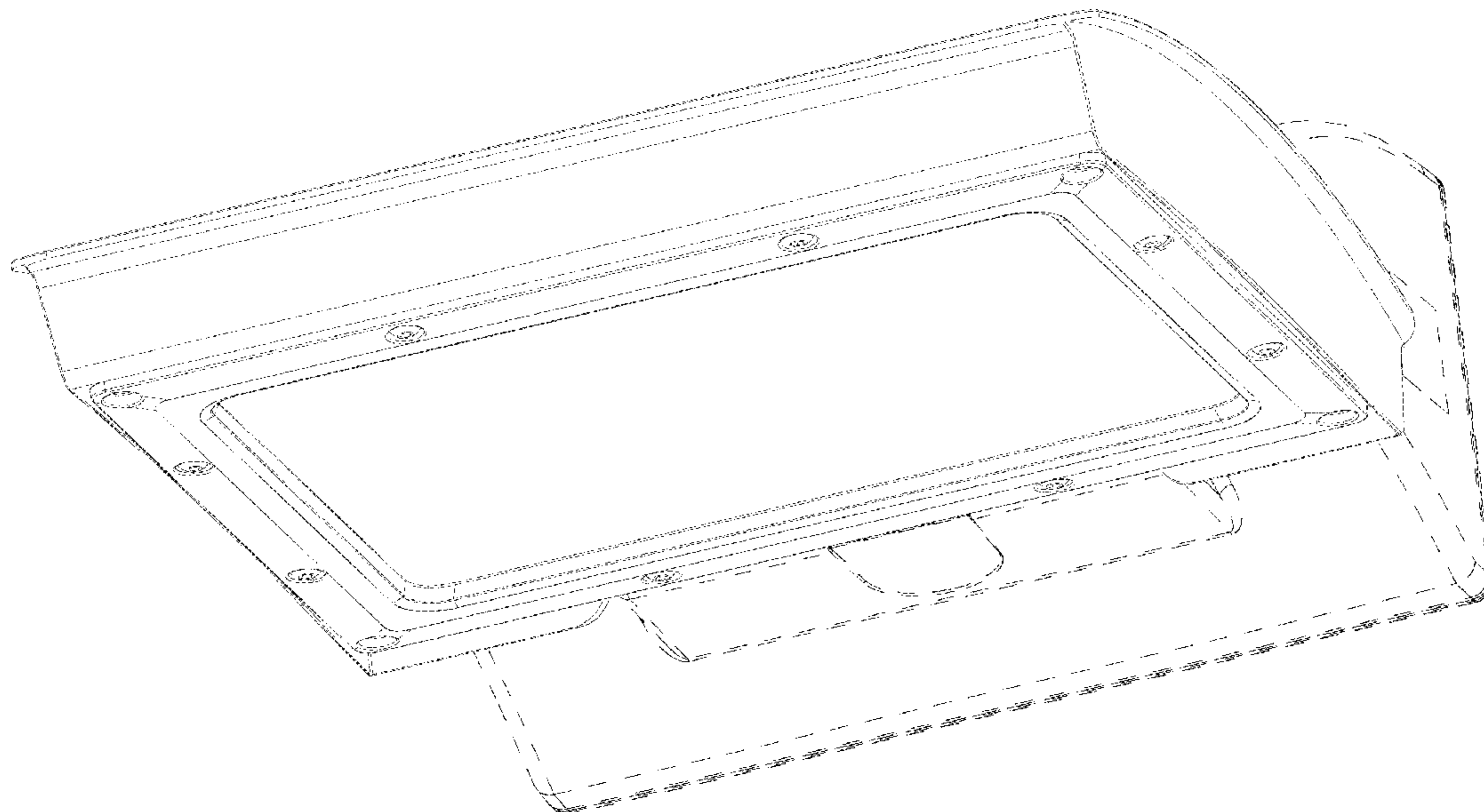
(57) **CLAIM**

The ornamental design for a lighting element for luminaire, as shown and described.

DESCRIPTION

FIG. 1 is a front, upward perspective view of a lighting element for luminaire;
FIG. 2 is a front, downward perspective view thereof;
FIG. 3 is a right side elevational view thereof;
FIG. 4 is a left side elevational view thereof;
FIG. 5 is a front elevational view thereof;
FIG. 6 is a rear elevational view thereof;
FIG. 7 is a top plan view thereof; and,
FIG. 8 is a bottom plan view thereof.
The broken lines are intended for the purposes of illustrating a possible mount useable with the claimed design and form no part of the claimed design.

1 Claim, 8 Drawing Sheets



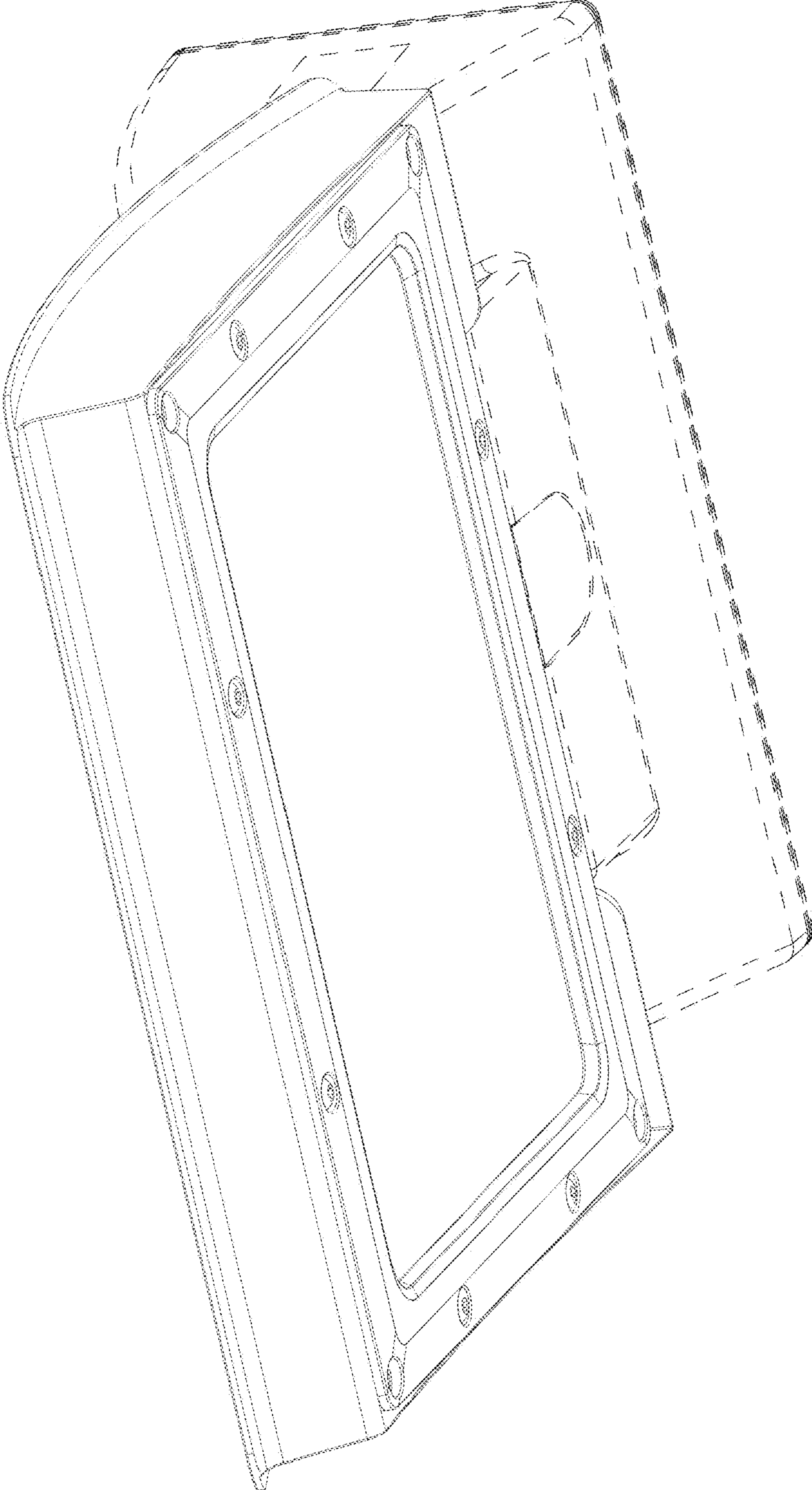


FIGURE 1

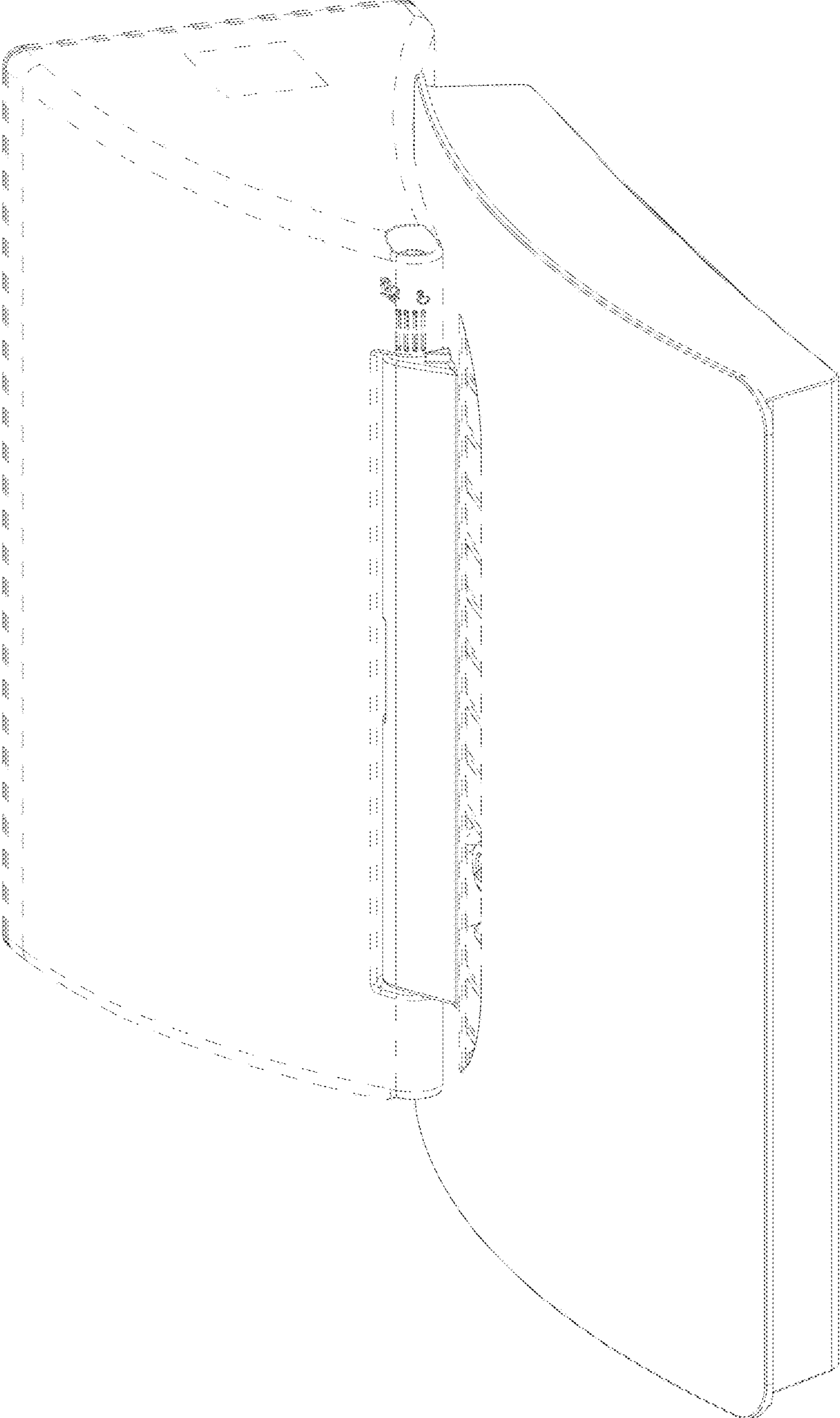


FIGURE 2

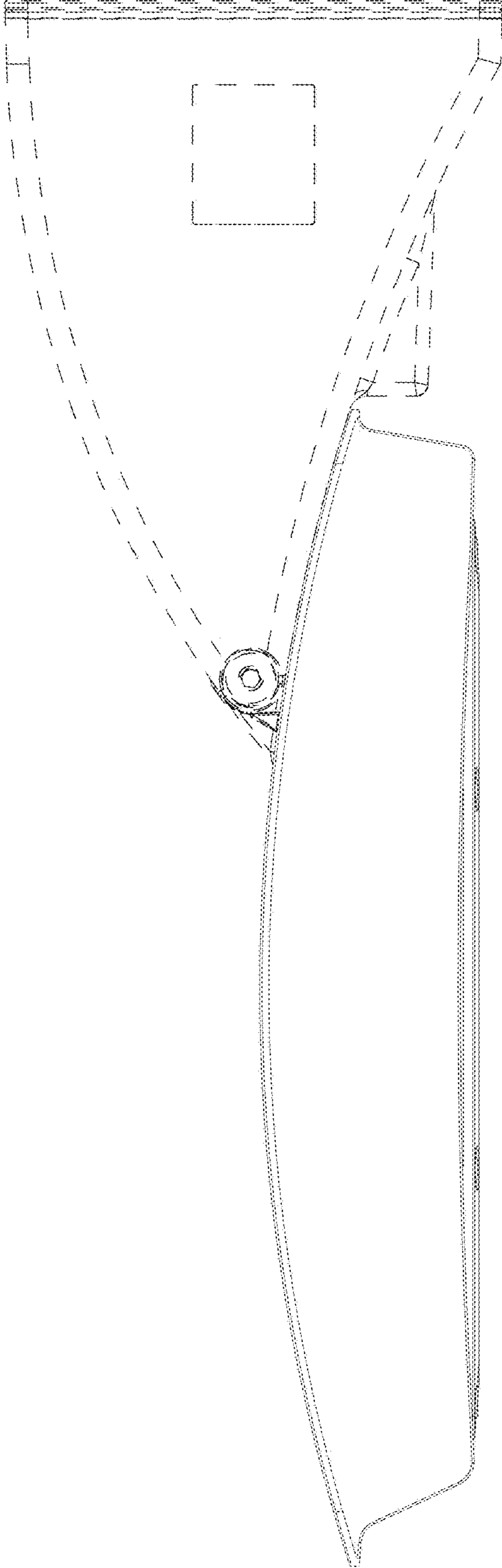


FIGURE 3

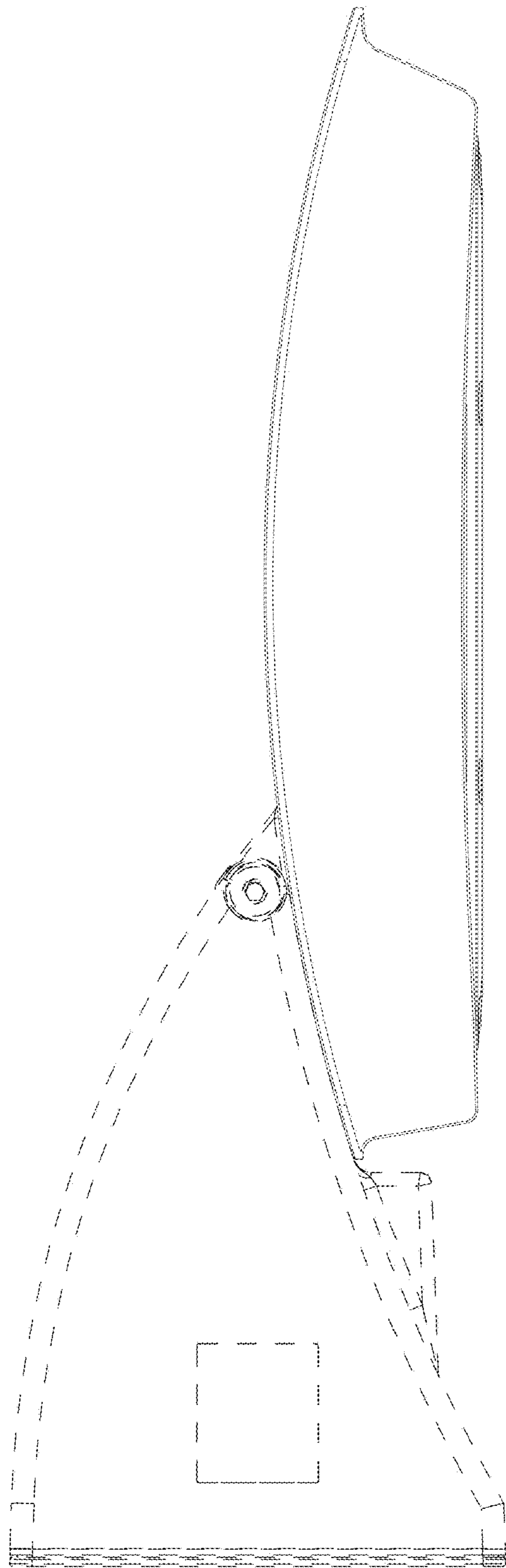


FIGURE 4

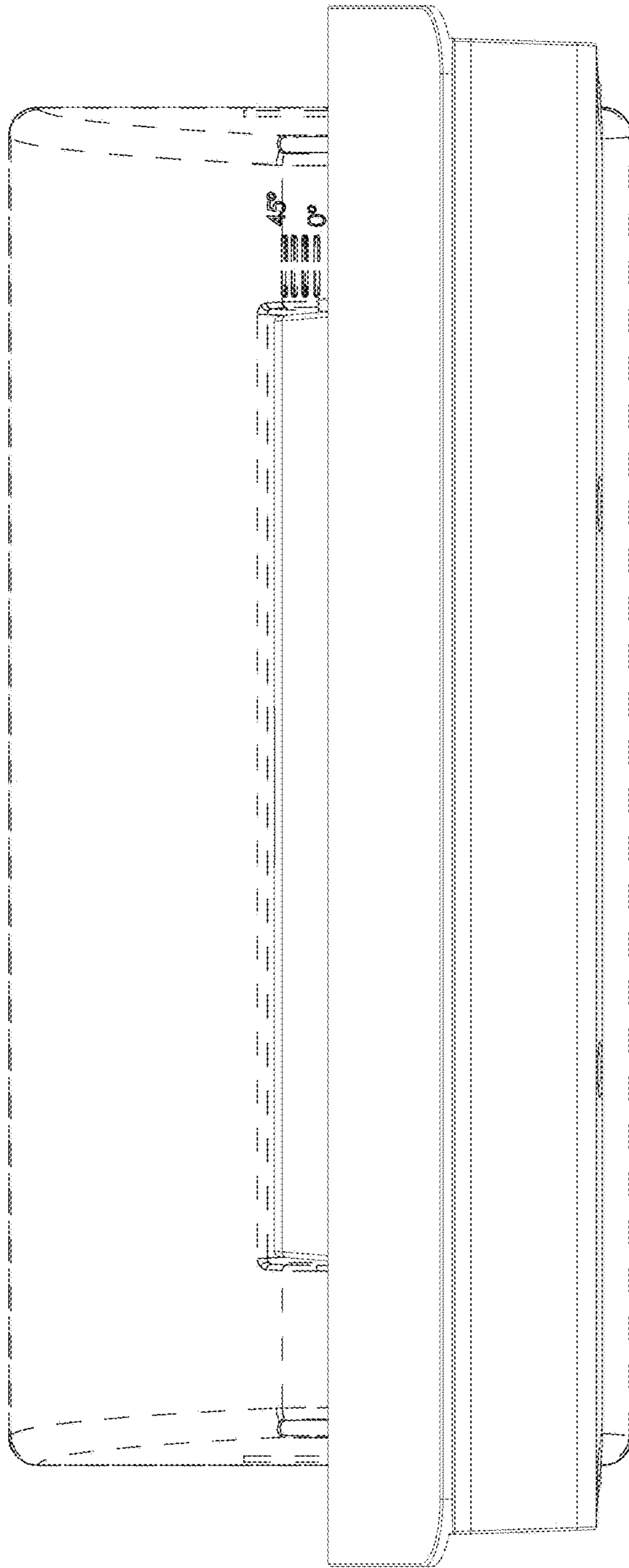


FIGURE 5

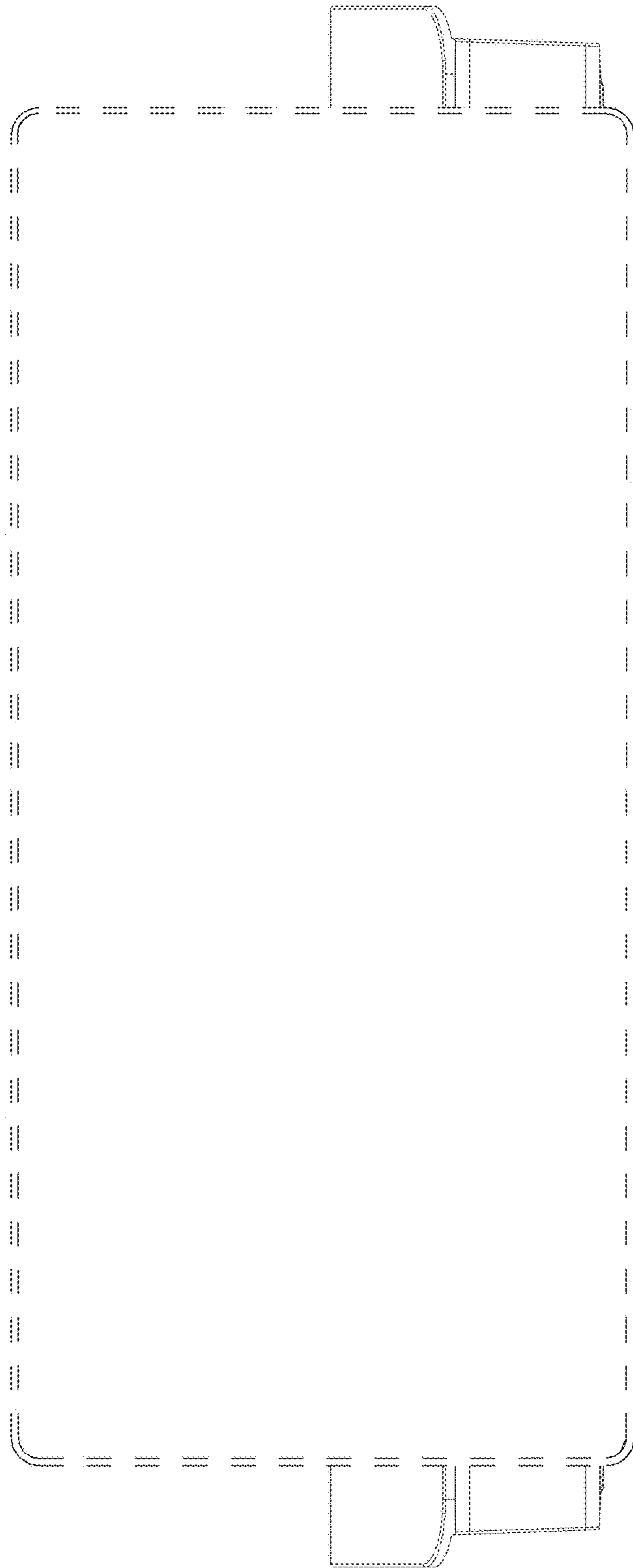


FIGURE 6

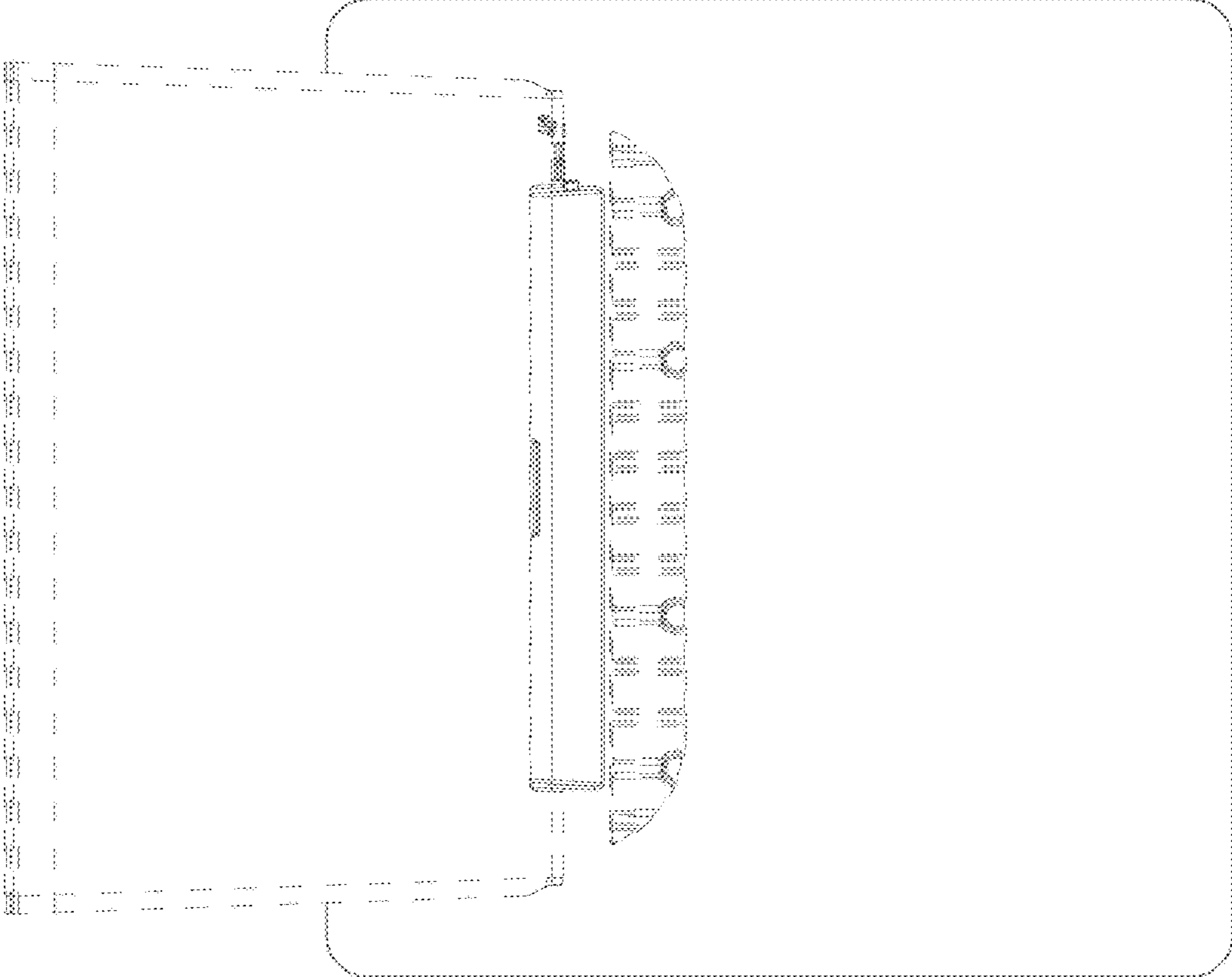


FIGURE 7

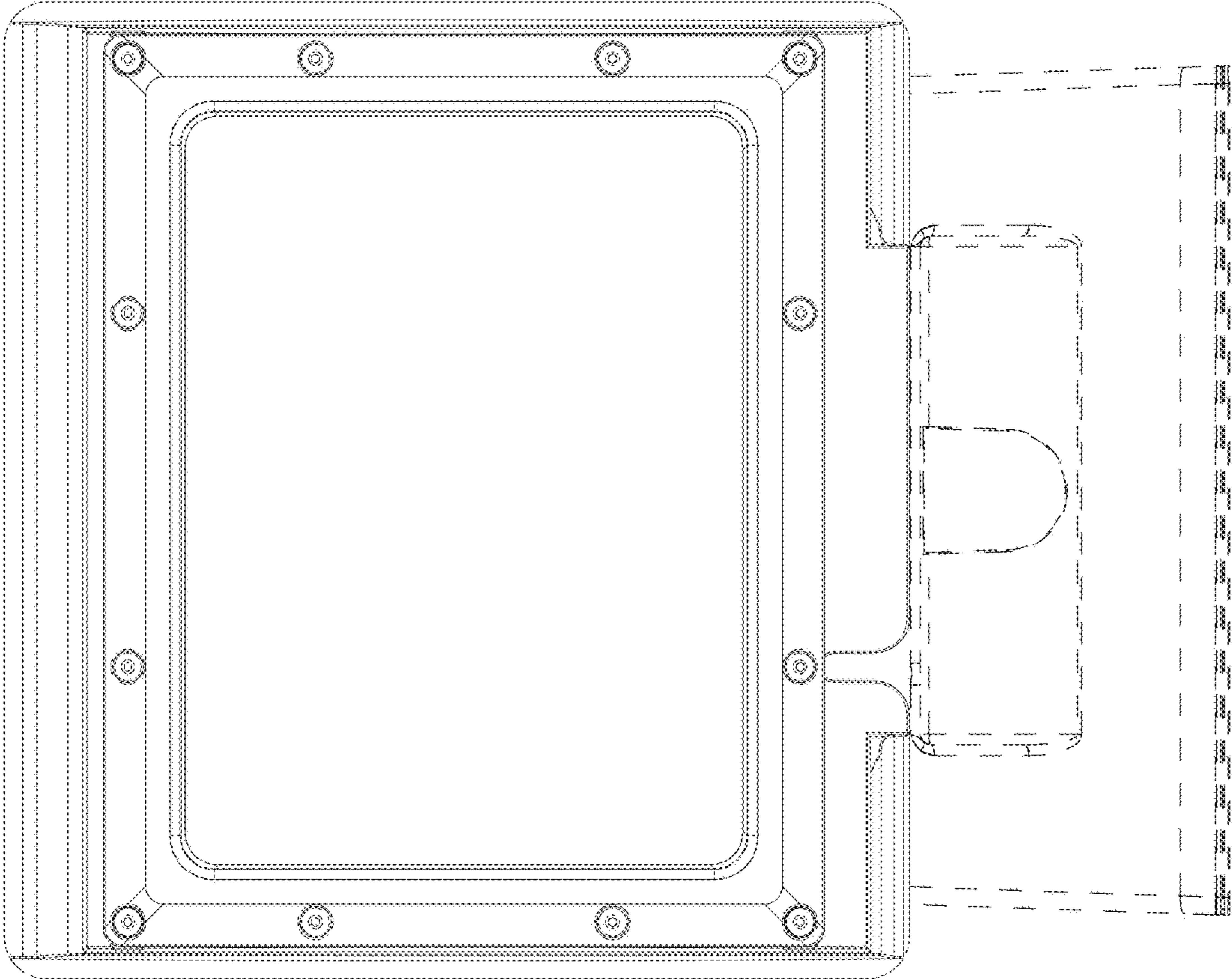


FIGURE 8