



US00D843637S

(12) **United States Design Patent**  
**Anderson et al.**

(10) **Patent No.:** **US D843,637 S**  
(45) **Date of Patent:** **\*\* Mar. 19, 2019**

(54) **DECORATIVE LAMP**  
(71) Applicant: **Salvage Electric**, Carlsbad, CA (US)  
(72) Inventors: **Craig J. Anderson**, Carlsbad, CA (US);  
**Gibson Nolan Beck Anderson**,  
Carlsbad, CA (US)  
(73) Assignee: **Salvage Electric**, Carlsbad, CA (US)  
(\*\*) Term: **15 Years**

D739,054 S \* 9/2015 Carroll ..... D26/2  
9,234,635 B2 \* 1/2016 Kwisthout ..... F21K 9/232  
D771,302 S \* 11/2016 Ross ..... D26/118  
D771,303 S \* 11/2016 Ross ..... D26/118  
D799,100 S \* 10/2017 Morris ..... D26/110

\* cited by examiner

*Primary Examiner* — Brian N. Vinson

(74) *Attorney, Agent, or Firm* — K. David Crockett, Esq.;  
Paul J. Backofen, Esq.; Crockett & Crockett, PC

(21) Appl. No.: **29/610,909**

(57) **CLAIM**

(22) Filed: **Jul. 17, 2017**

The ornamental design for a decorative lamp, as shown and described.

(51) **LOC (11) Cl.** ..... **26-03**

(52) **U.S. Cl.**  
USPC ..... **D26/110**

(58) **Field of Classification Search**  
USPC ..... D26/2, 72, 76, 77, 78, 80, 85, 89, 102,  
D26/104, 142, 121, 118, 110, 93;  
D11/90  
CPC .... F21S 8/03; F21S 8/031; F21S 8/033; F21S  
8/036; F21S 9/03; F21S 9/037; F21V  
21/025; F21V 17/08; F21V 17/10  
See application file for complete search history.

**DESCRIPTION**

FIG. 1 is a right-front perspective view of the decorative lamp showing our new design.  
FIG. 2 is a right side elevation view thereof.  
FIG. 3 is a front side elevation view thereof.  
FIG. 4 is a left elevation view thereof.  
FIG. 5 is a rear elevation view thereof.  
FIG. 6 is a top plan view thereof; and,  
FIG. 7 is a bottom plan view thereof.  
The broken line disclosure represents portions of the decorative lamp which form no part of the claimed design.

(56) **References Cited**

**U.S. PATENT DOCUMENTS**

D280,850 S \* 10/1985 Merino ..... D26/102  
D720,492 S \* 12/2014 Gatchel ..... D26/104

**1 Claim, 7 Drawing Sheets**

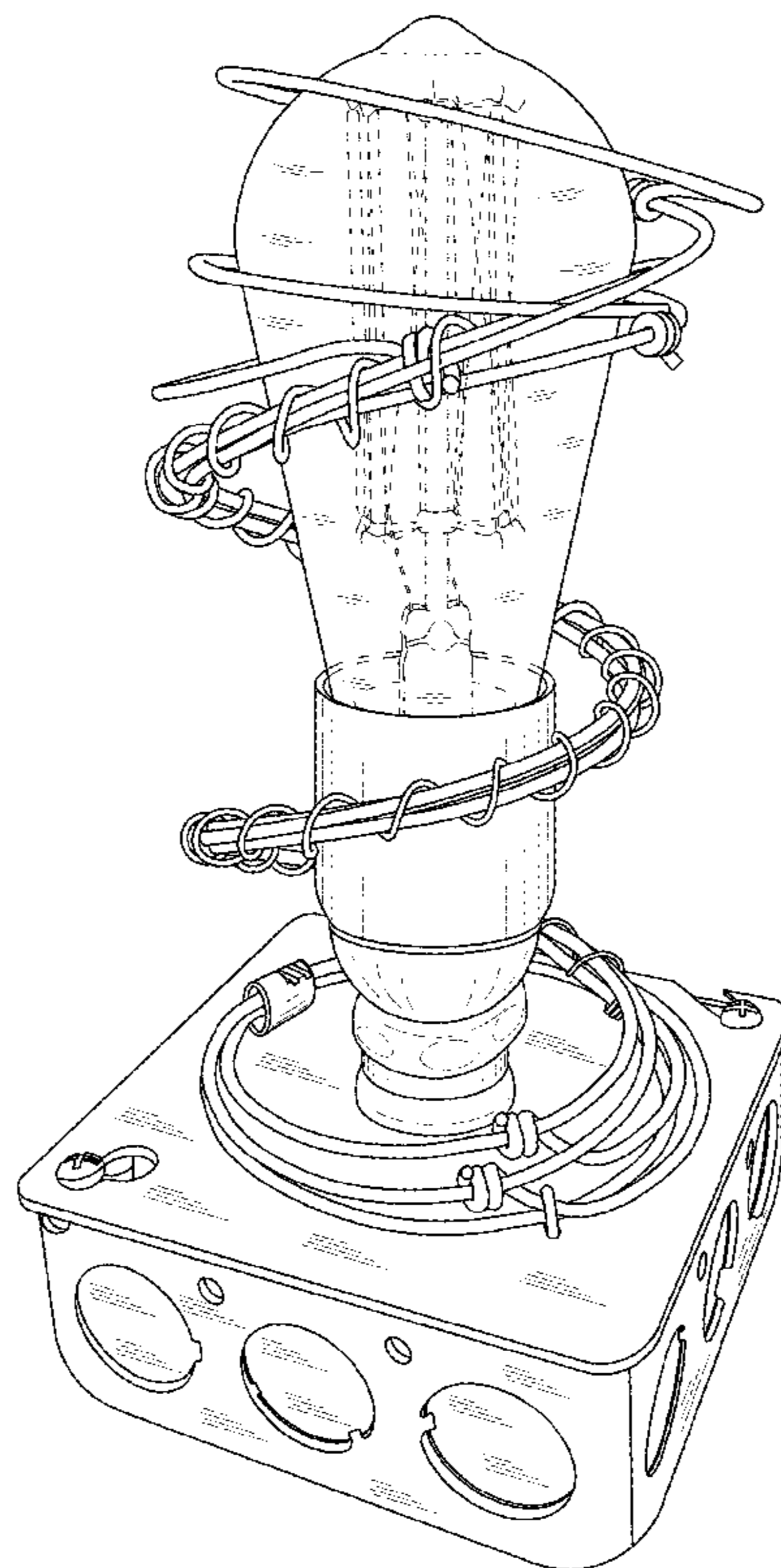


Fig. 1

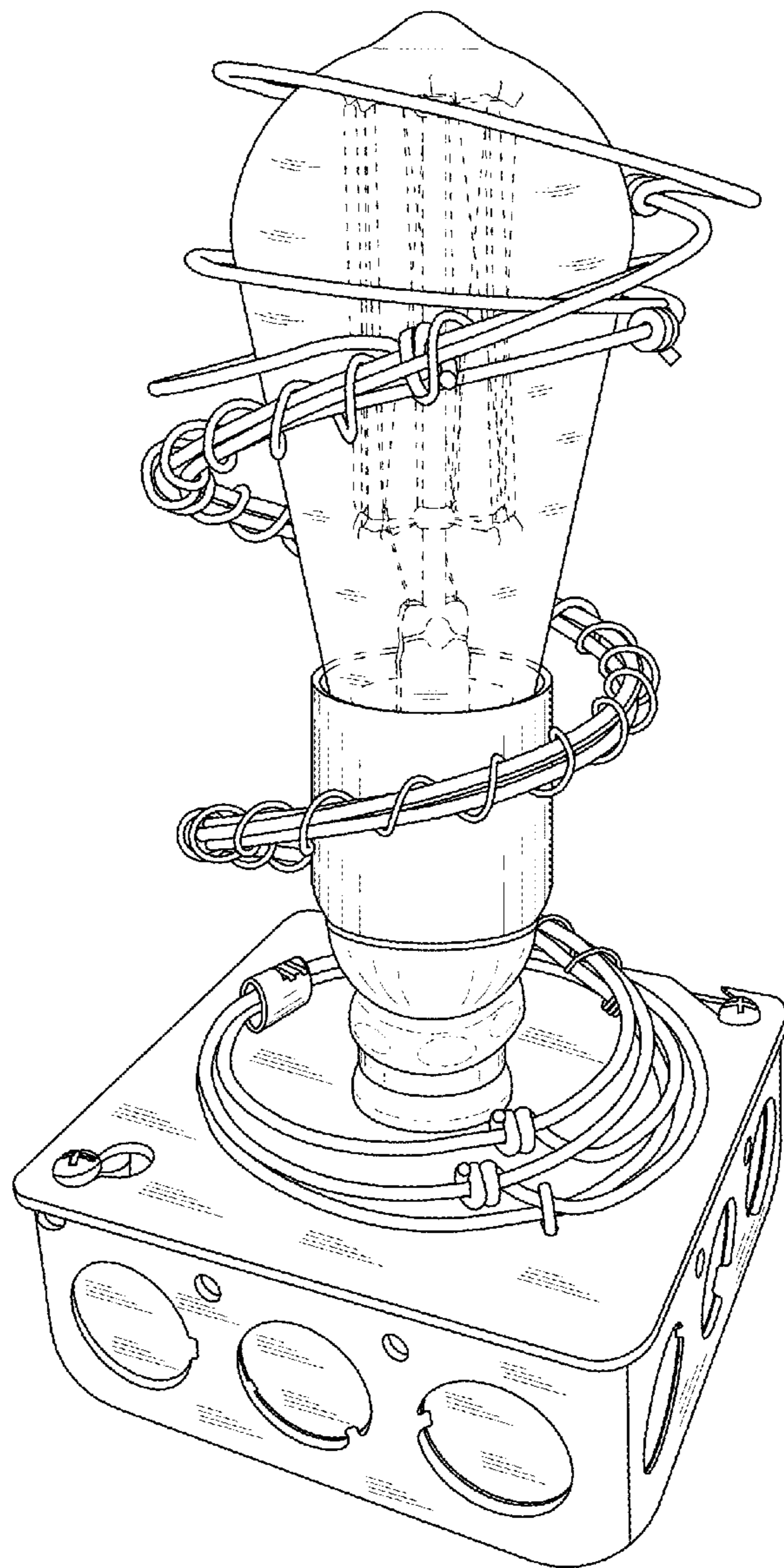


Fig. 2

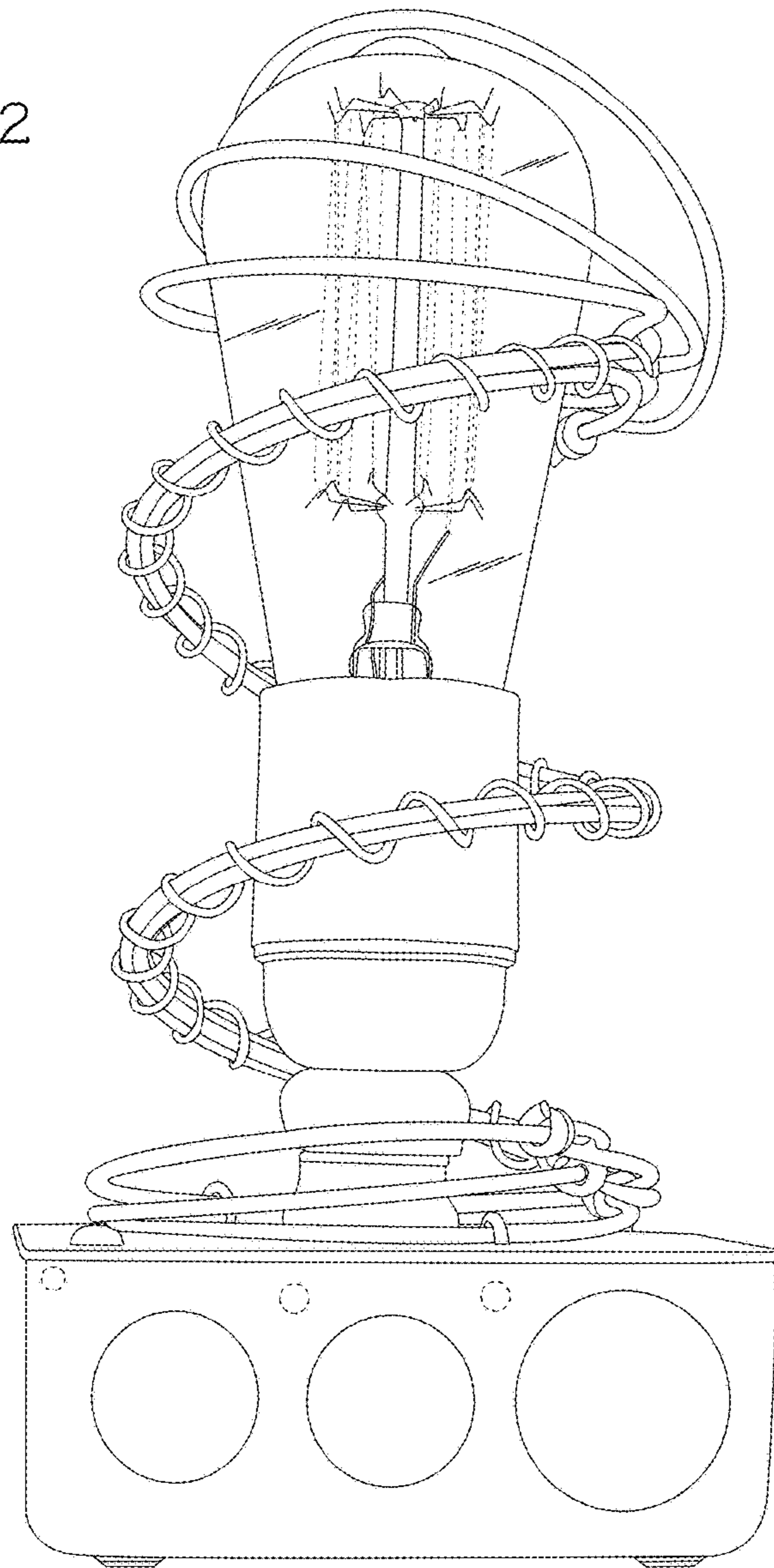


Fig. 3

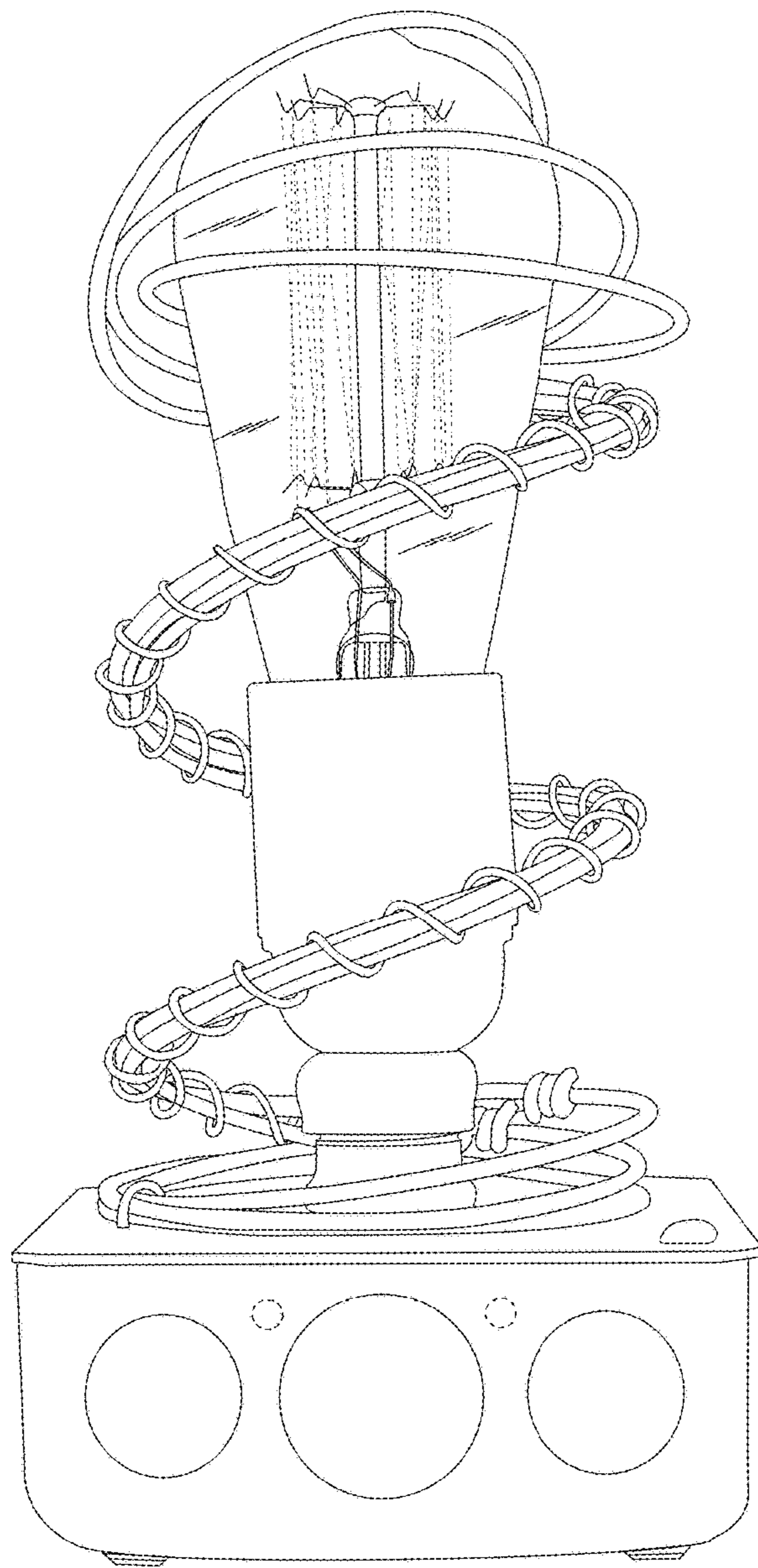


Fig. 4

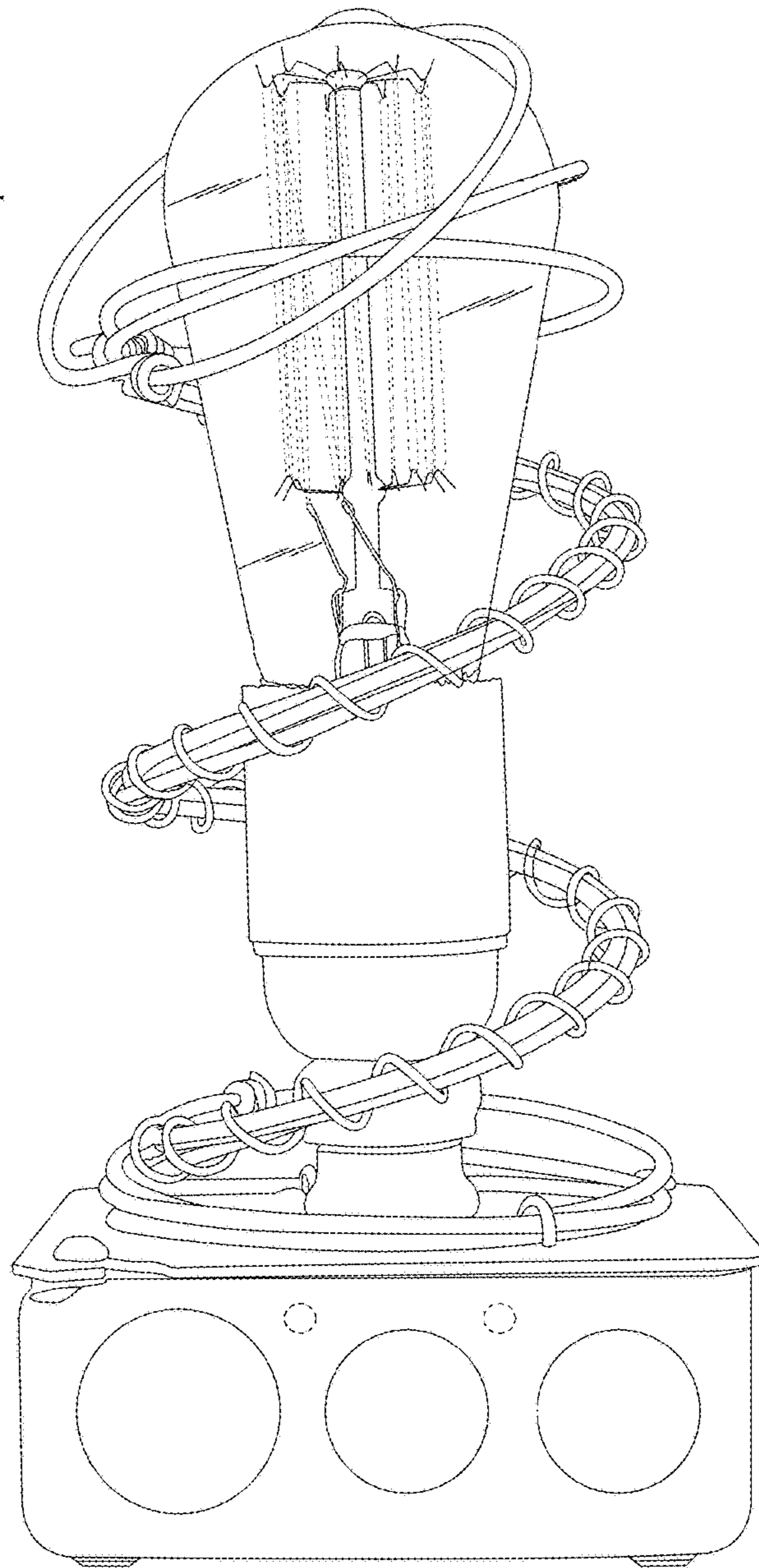


Fig. 5

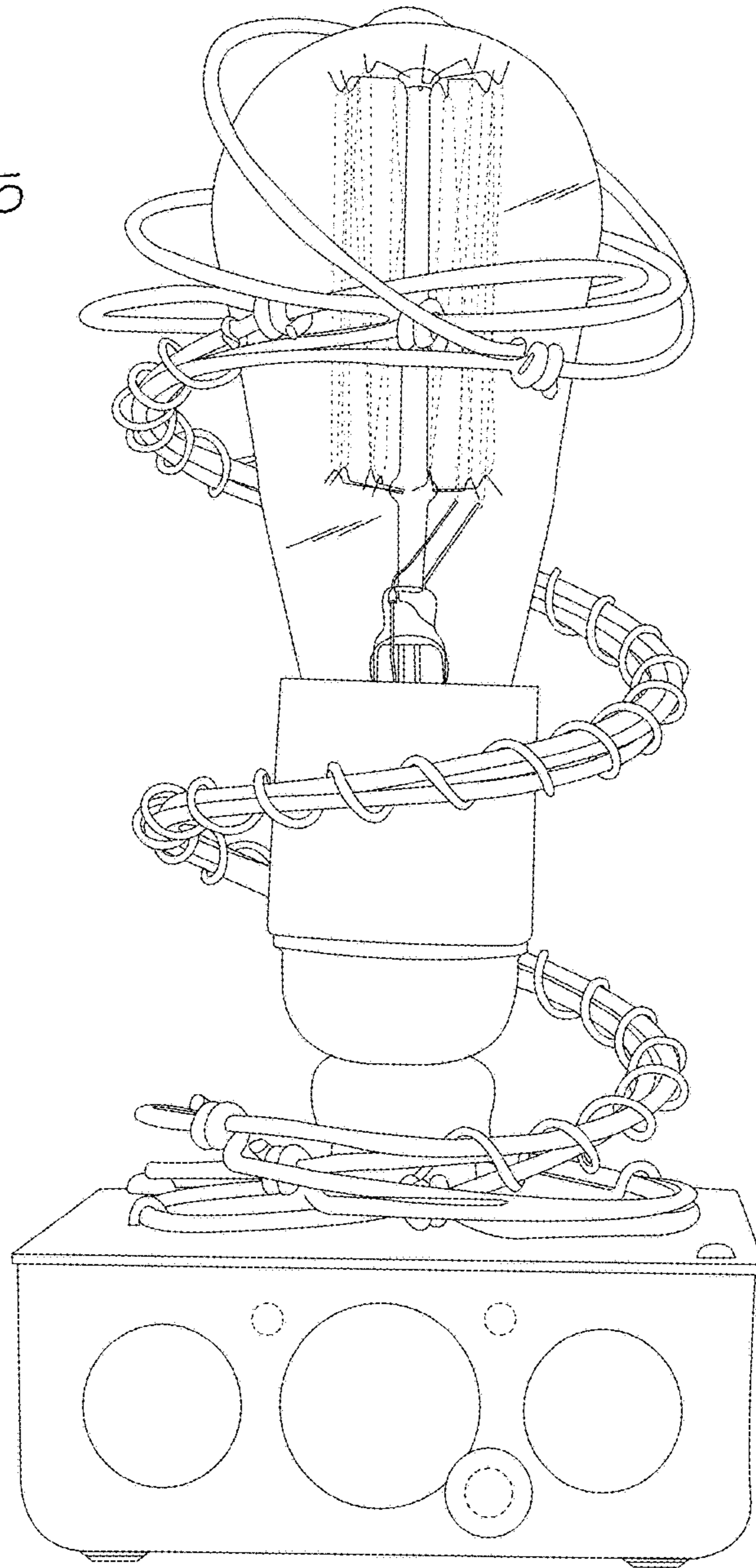


Fig. 6

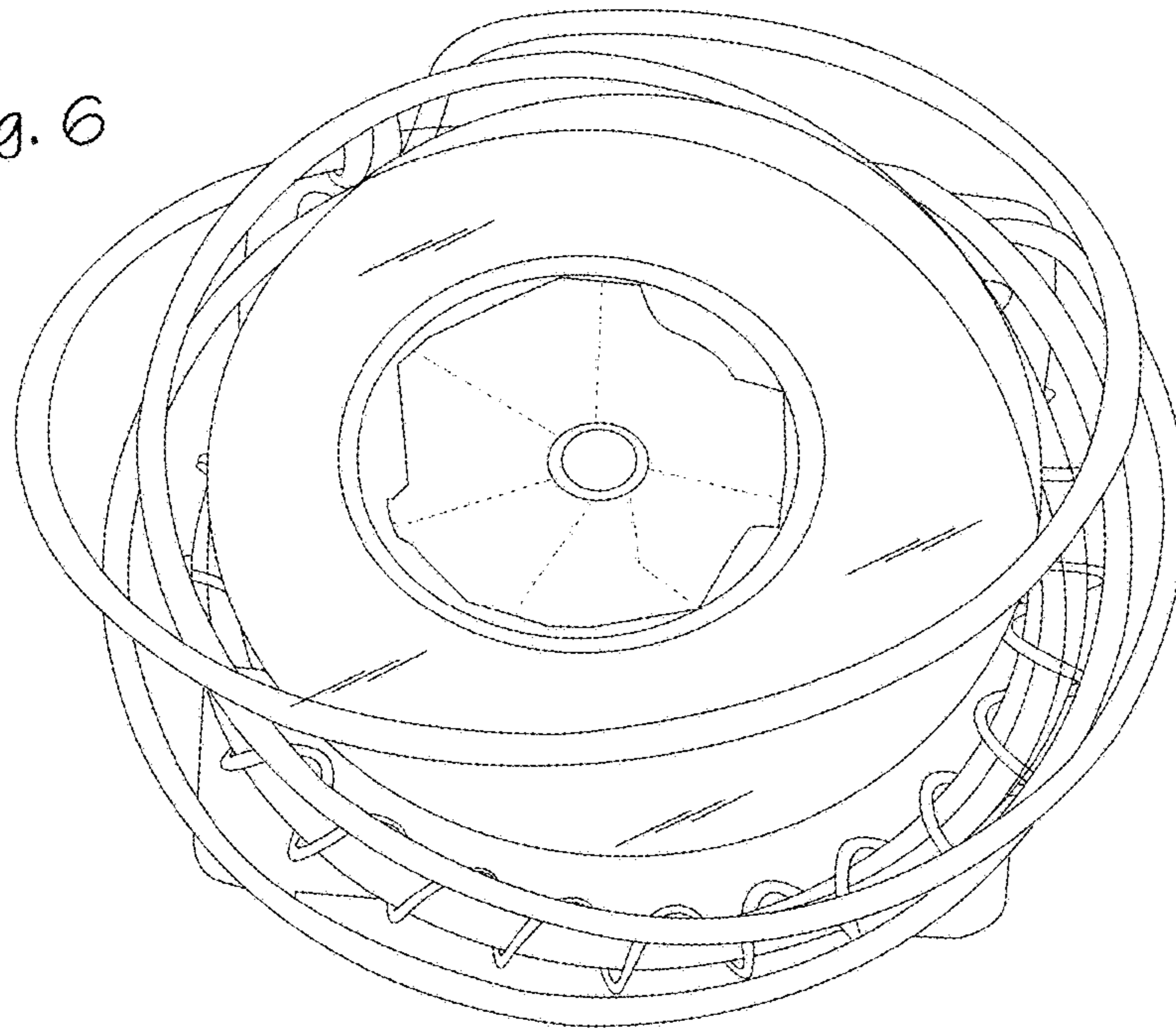


Fig. 7

