



US00D843636S

(12) **United States Design Patent**
Tong

(10) **Patent No.:** **US D843,636 S**

(45) **Date of Patent:** **** Mar. 19, 2019**

(54) **DESK LAMP**

(71) Applicant: **Shenzhen Highstar Electrical Co., Ltd.**, Shenzhen, Guangdong (CN)

(72) Inventor: **Guoming Tong**, Guangdong (CN)

(73) Assignee: **Shenzhen Highstar Electrical Co., Ltd.**, Shenzhen (CN)

(**) Term: **15 Years**

(21) Appl. No.: **29/656,502**

(22) Filed: **Jul. 12, 2018**

(51) **LOC (11) Cl.** **26-03**

(52) **U.S. Cl.**
USPC **D26/107**

(58) **Field of Classification Search**
USPC D26/1, 24, 93, 104, 106, 107, 109, 110,
D26/62
CPC F21S 6/00; F21S 6/043; F21S 8/08; F21V
21/00; F21V 21/02; F21W 2121/00;
F21W 2131/30
See application file for complete search history.

(56) **References Cited**

U.S. PATENT DOCUMENTS

D488,248 S * 4/2004 Toyoaki D26/65
D563,583 S * 3/2008 Iai D26/65

D654,199 S * 2/2012 Xie D26/63
D667,980 S * 9/2012 Kim D26/63
D690,044 S * 9/2013 Ng D26/65
D729,964 S * 5/2015 Huh D26/63
D744,154 S * 11/2015 Ng D26/107
D768,908 S * 10/2016 Fisher D26/107
D775,399 S * 12/2016 Fioravanti D26/107
D822,879 S * 7/2018 Hodgson D26/108

* cited by examiner

Primary Examiner — Brian N. Vinson

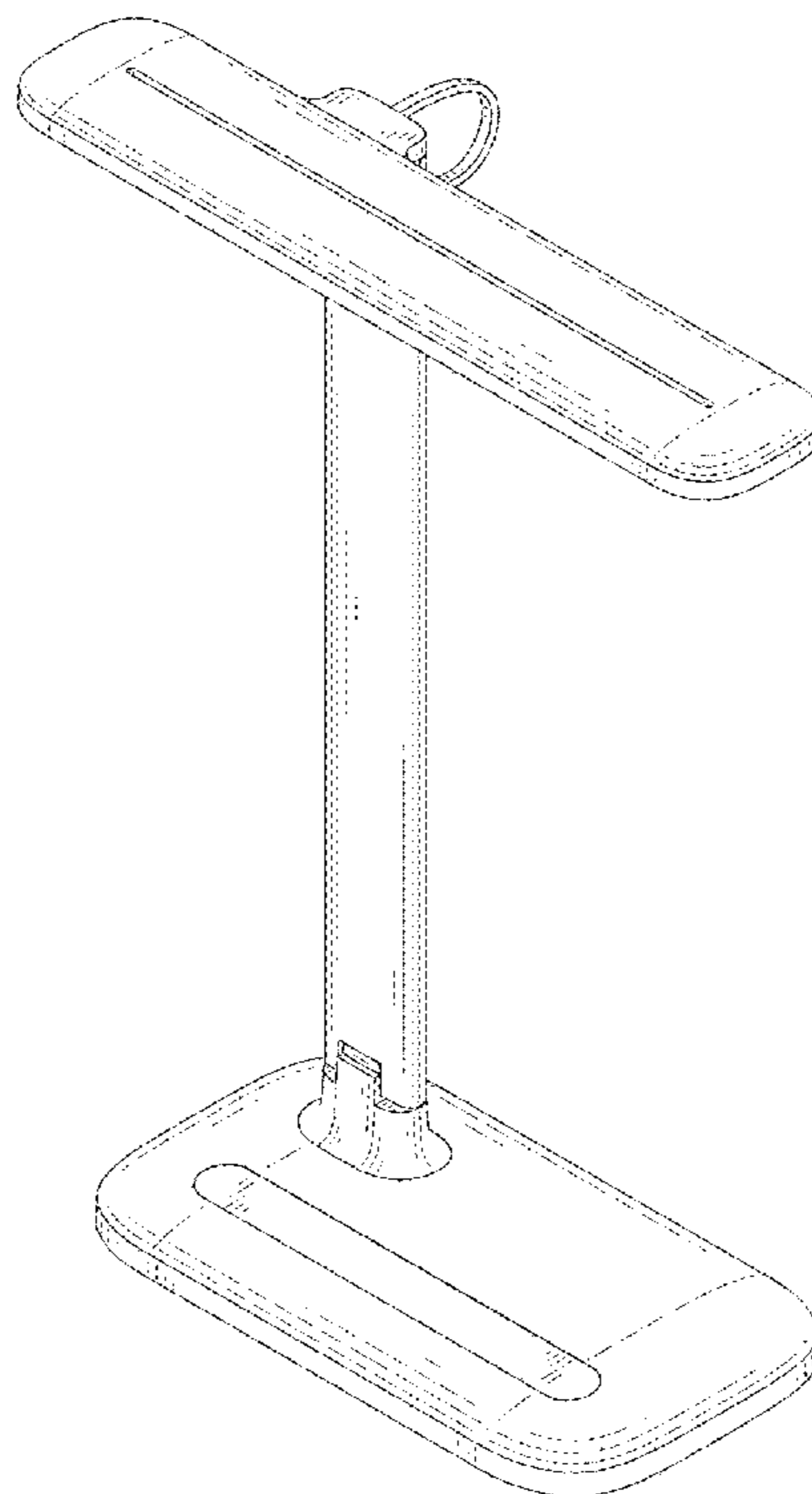
(57) **CLAIM**

The ornamental design for a desk lamp, as shown and described.

DESCRIPTION

FIG. 1 is a top, front and right side perspective view of a desk lamp showing my new design;
FIG. 2 is a bottom, rear and left side perspective view thereof;
FIG. 3 is a front elevational view thereof;
FIG. 4 is a rear elevational view thereof;
FIG. 5 is a left side view thereof;
FIG. 6 is a right side view thereof;
FIG. 7 is a top plan view thereof; and,
FIG. 8 is a bottom plan view thereof.
The broken lines in the drawings illustrate portions of the desk lamp which form no part of the claimed design.

1 Claim, 8 Drawing Sheets



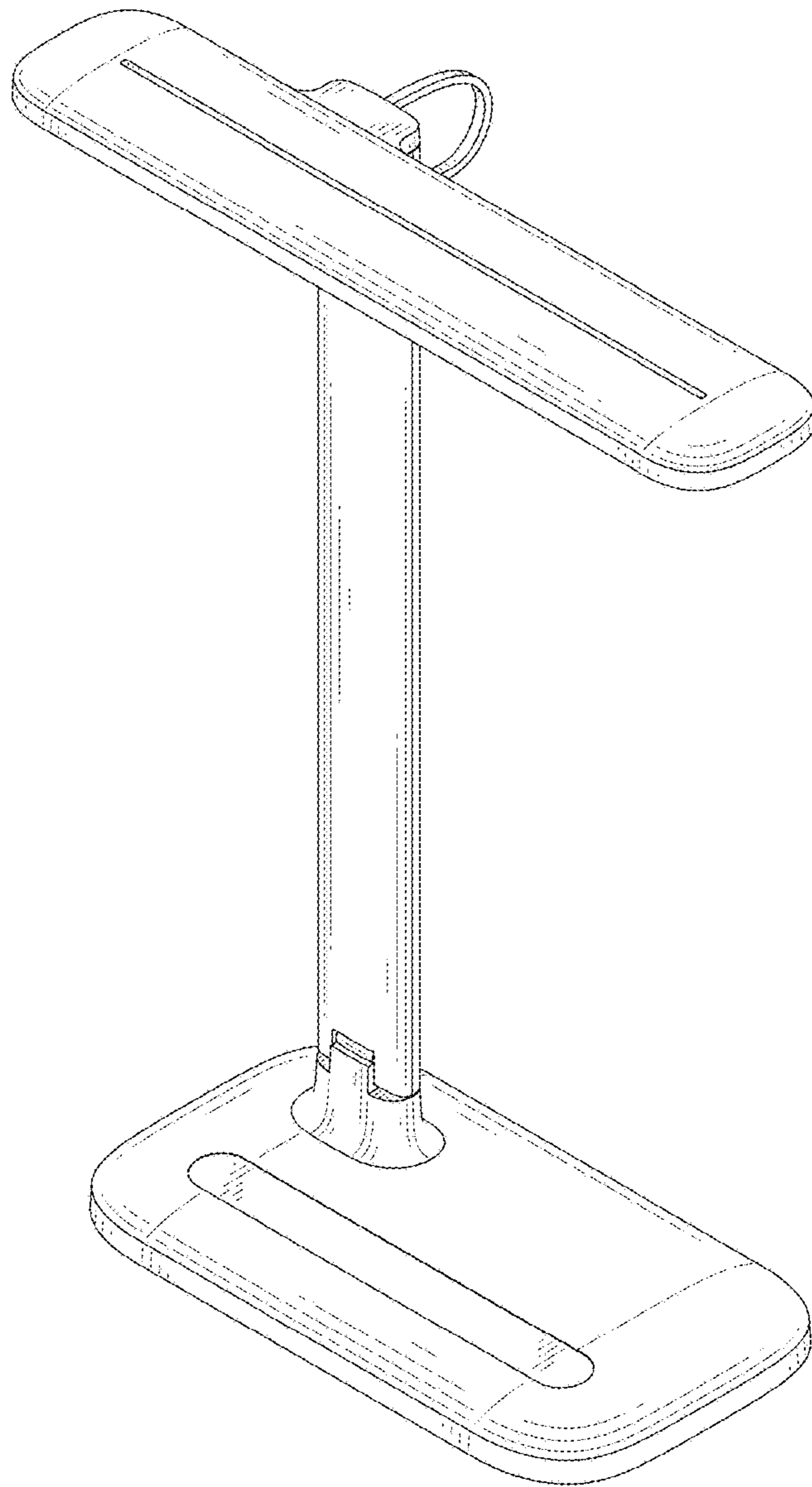


FIG. 1

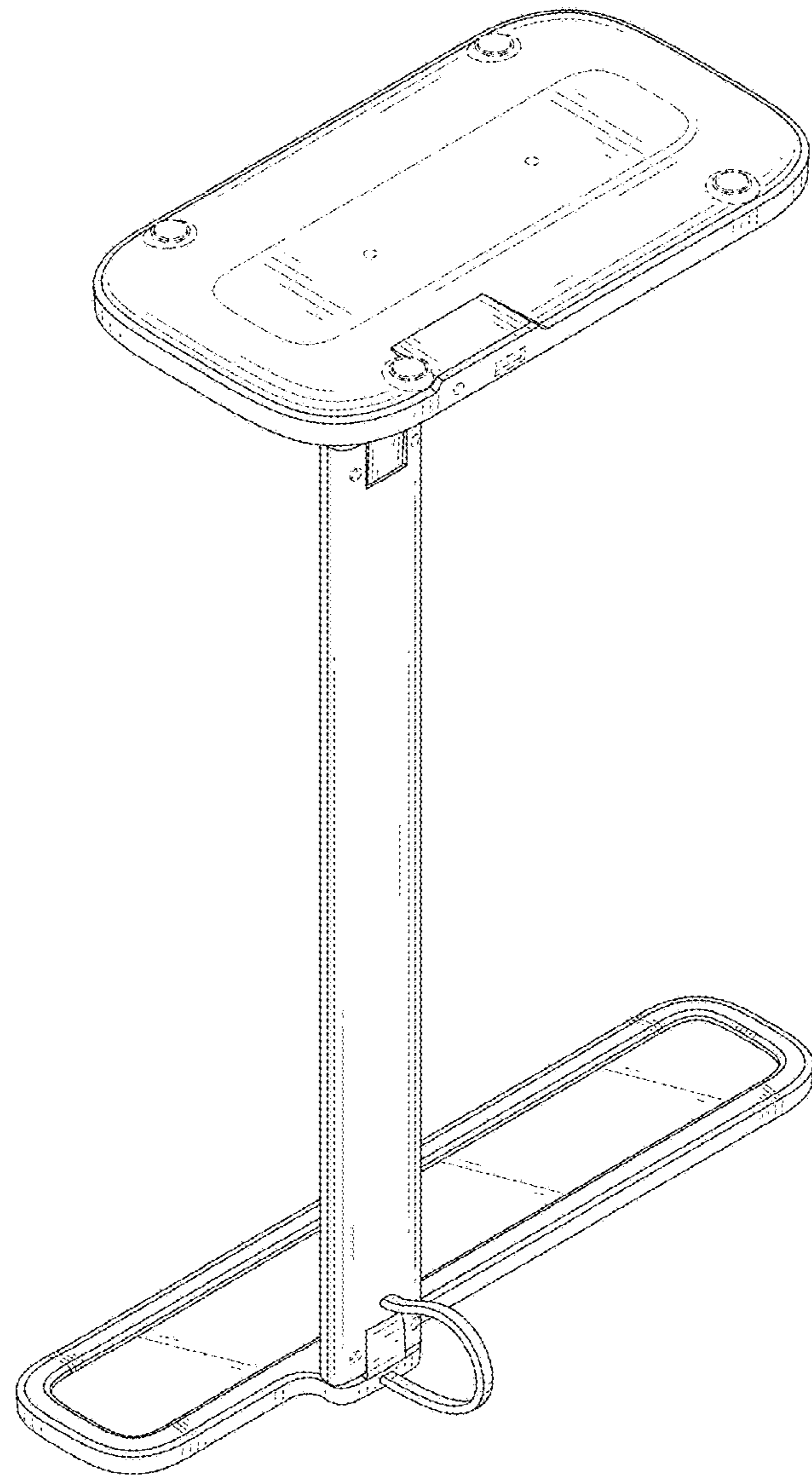


FIG. 2

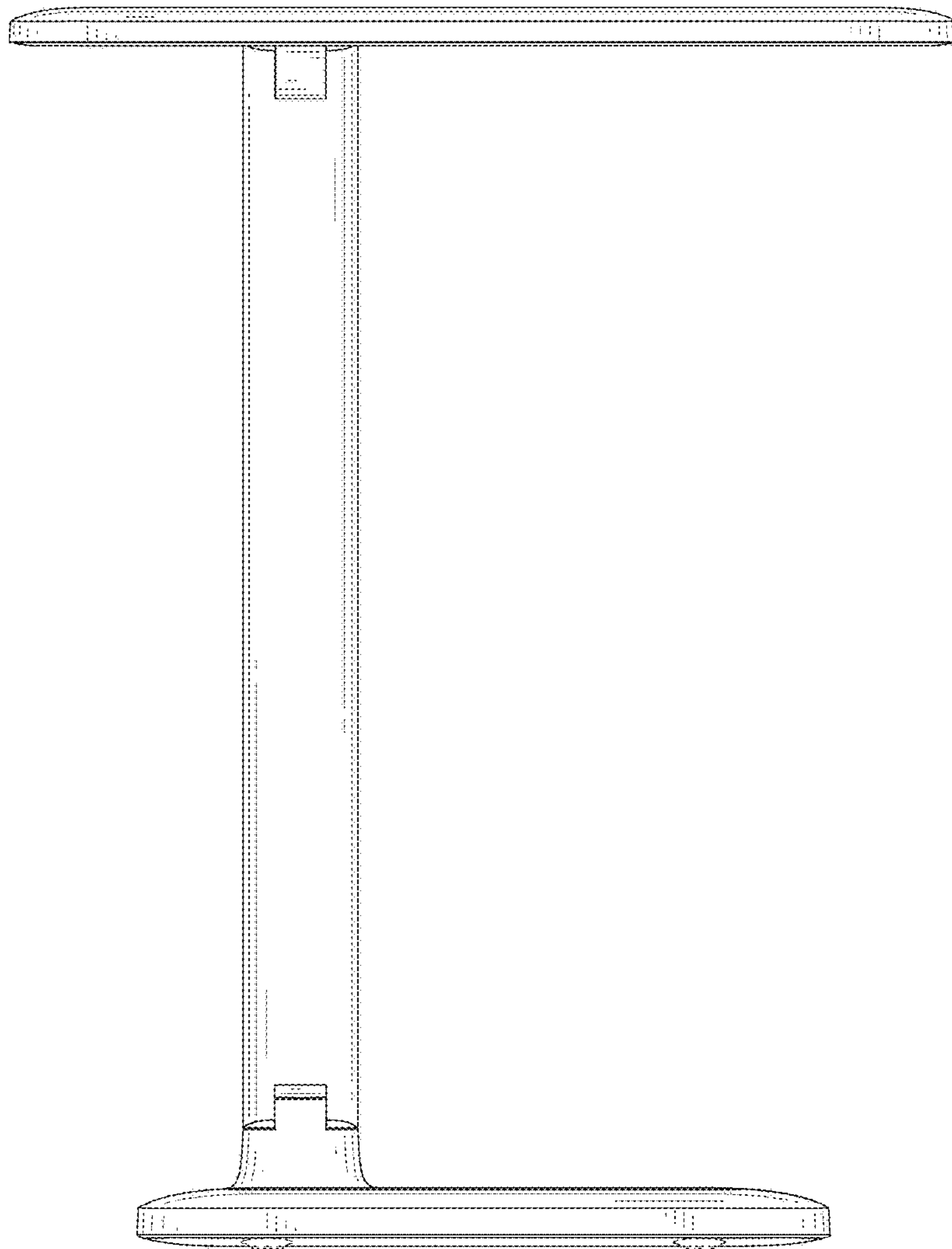


FIG. 3

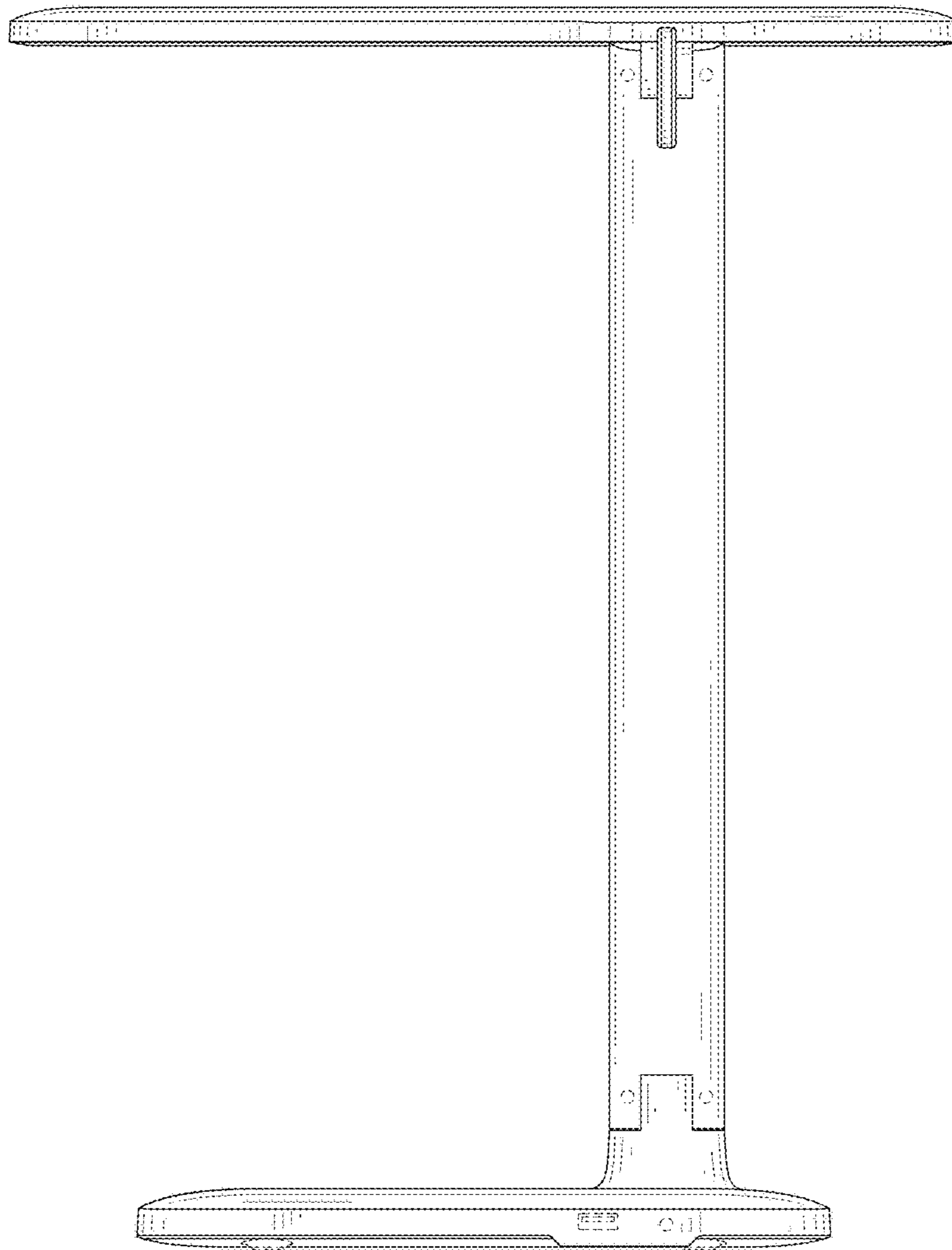


FIG. 4

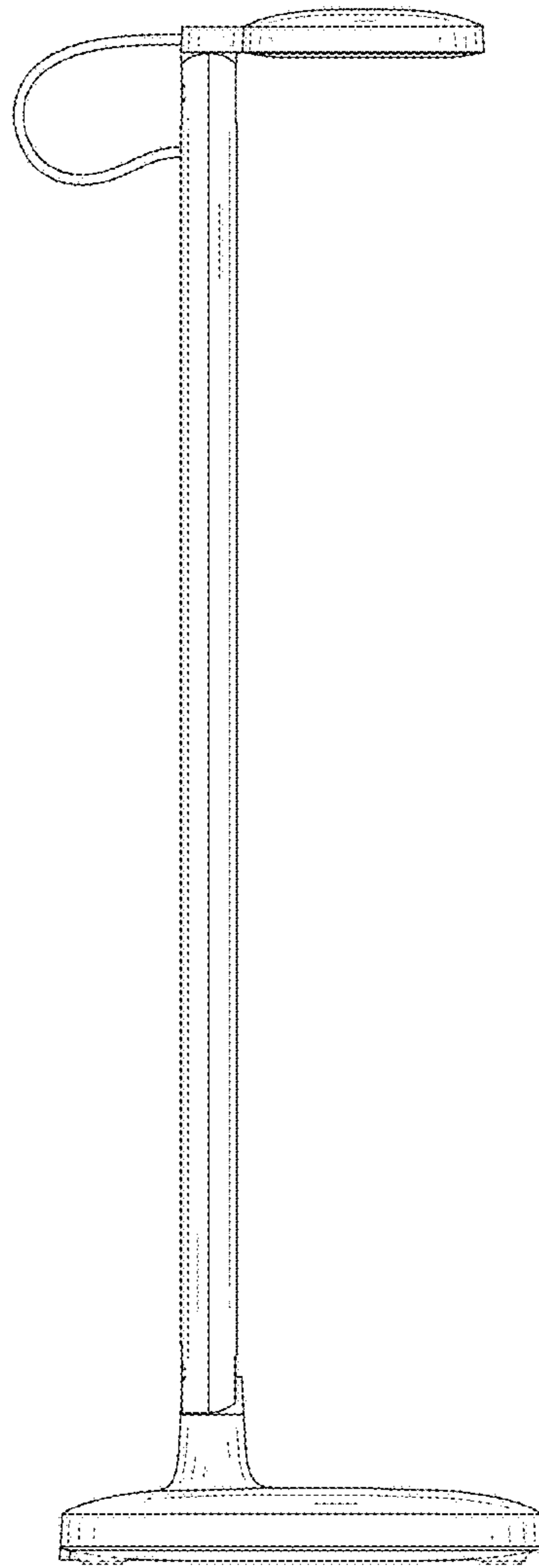


FIG. 5

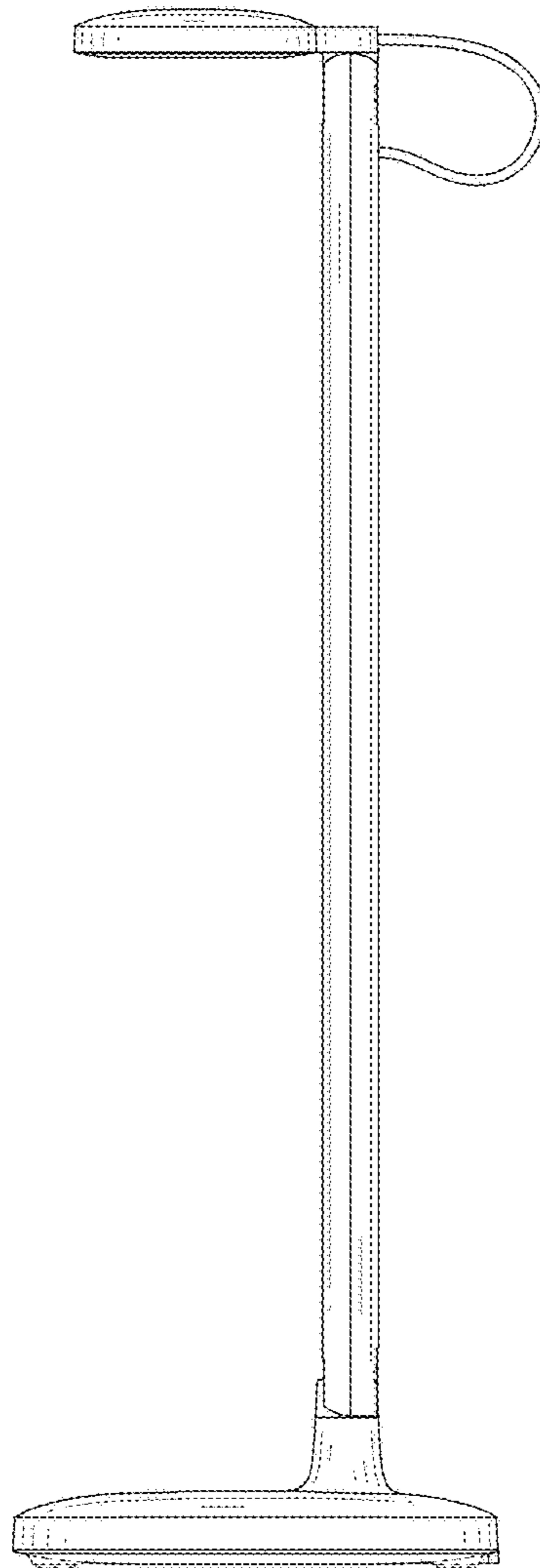


FIG. 6

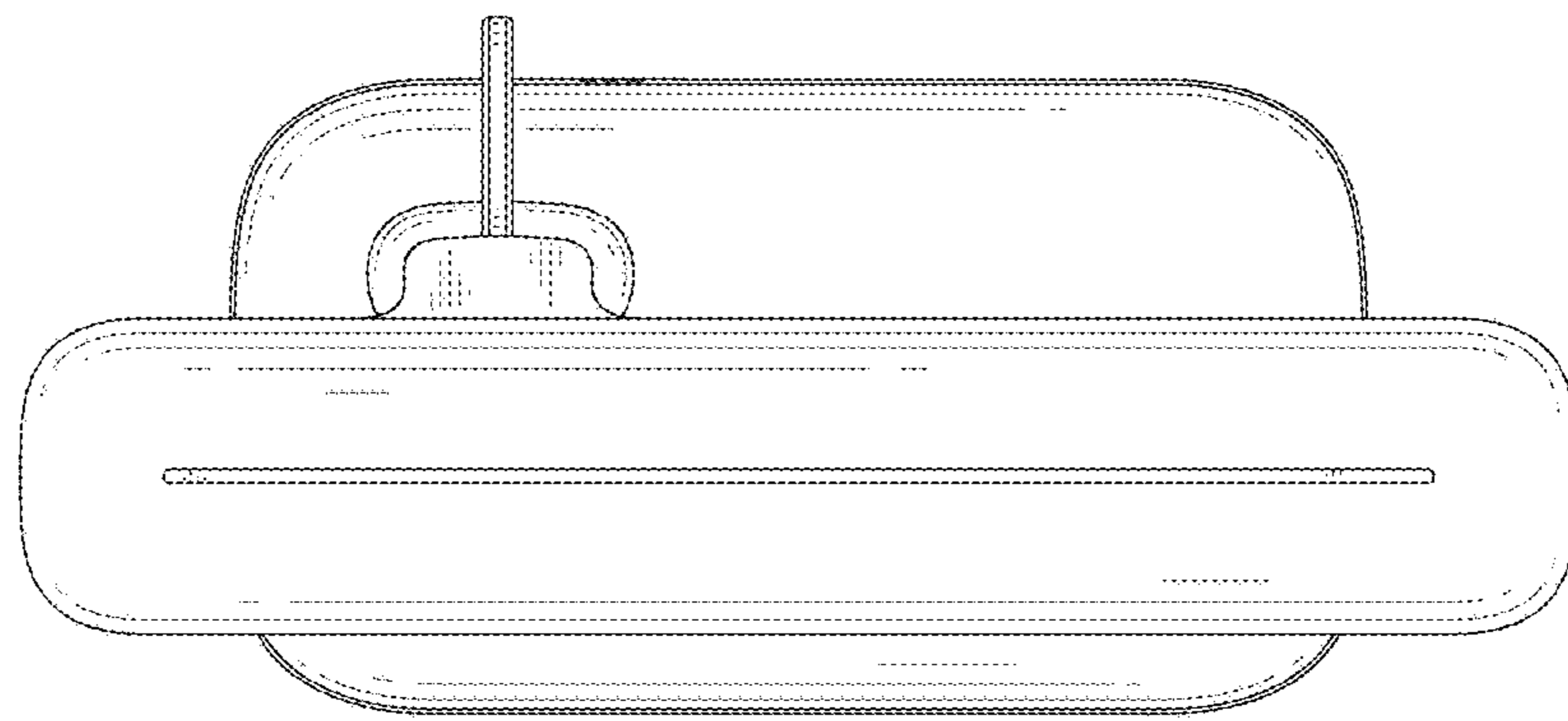


FIG. 7

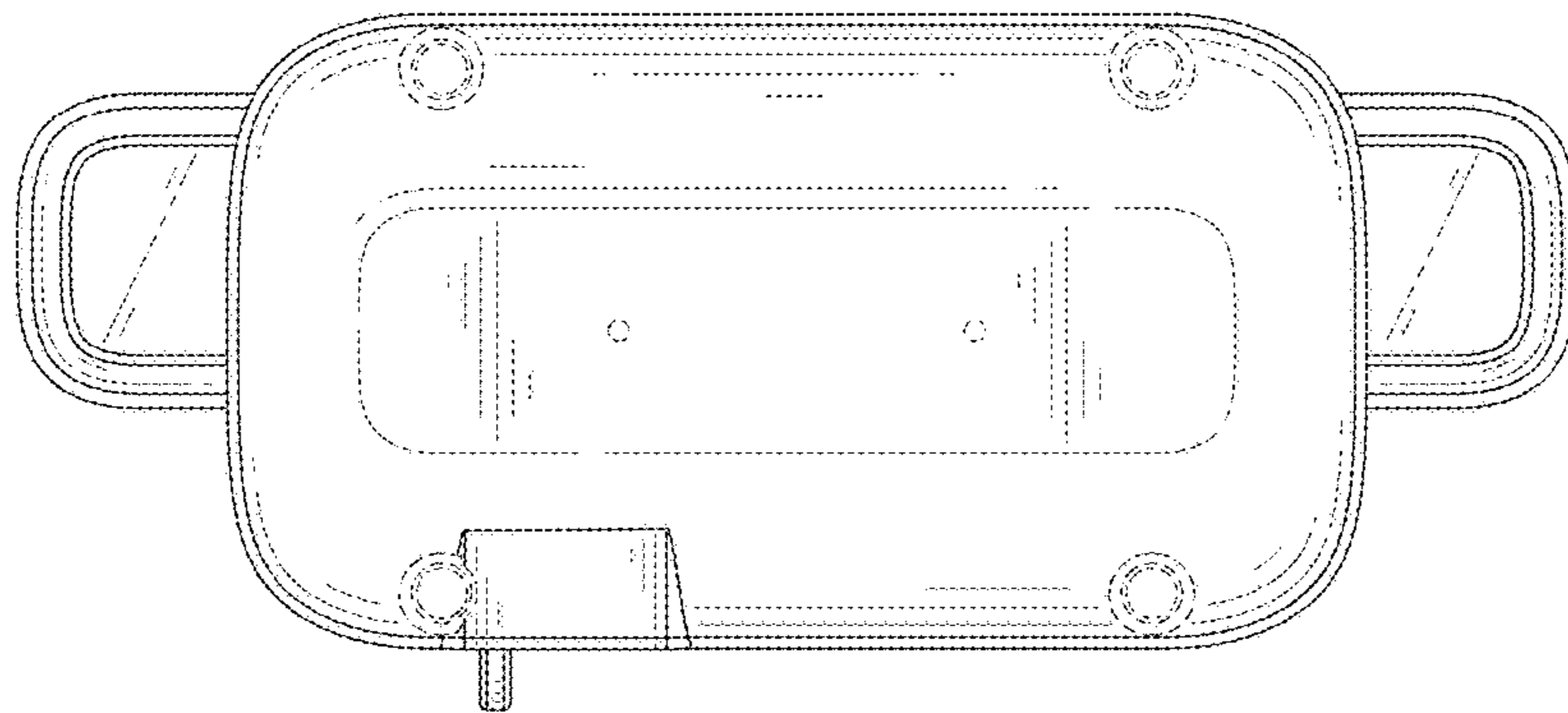


FIG. 8