



US00D843635S

(12) **United States Design Patent**
Van Egmond

(10) **Patent No.:** **US D843,635 S**
(45) **Date of Patent:** **** Mar. 19, 2019**

(54) **SOLAR POWERED LAMP**

FOREIGN PATENT DOCUMENTS

(71) Applicant: **Antoinetta Jacoba Hendrika Van Egmond**, Bussum (NL)

GB 190019626 A * 8/1901
GB 190208702 A * 3/1903

(Continued)

(72) Inventor: **Antoinetta Jacoba Hendrika Van Egmond**, Bussum (NL)

OTHER PUBLICATIONS

(**) Term: **15 Years**

Miss Nightingale solar candle light, posted at annetvanegmond.com, published May 2016 by Anna Khrutskaya in Mezonin © Miss Nightingale/Annet Van Egmond, online, site visited Jan. 10, 2018. Available from Internet, URL: <http://www.annetvanegmond.com/> (Year: 2016).*

(21) Appl. No.: **29/564,439**

(22) Filed: **May 12, 2016**

(Continued)

(30) **Foreign Application Priority Data**

Nov. 12, 2015 (EM) 002857292-0002

(51) **LOC (11) Cl.** **26-05**

(52) **U.S. Cl.**
USPC **D26/96; D26/51**

(58) **Field of Classification Search**
USPC D26/46, 49, 36, 74, 22, 71, 91, 96, 130,
D26/40-41, 50-51, 123-124, 1-2, 4-6,
D26/148-149; 320/110; D13/180;
362/33, 612, 555

CPC H01M 2/022; F21Y 2115/10; F21L 4/00;
F21L 4/08

See application file for complete search history.

Primary Examiner — Shannon W Morgan

Assistant Examiner — Altaira J Swangin

(74) *Attorney, Agent, or Firm* — Spruson & Ferguson HK

(57) **CLAIM**

The ornamental design for a solar powered lamp, as shown and described.

DESCRIPTION

A portion of the disclosure of this patent document contains material, which is subject to copyright protection. The copyright owner has no objection to the facsimile reproduction by anyone of the patent document or the patent disclosure, as it appears in the Patent and Trademark Office patent file or records, but otherwise reserves all copyright rights whatsoever. The copyrighted material contained in the disclosure applies to the whole design depicted in the drawings. FIG. 1 is a perspective view of the solar powered lamp; FIG. 2 is a frontal view of the solar powered lamp; FIG. 3 is a back view of the solar powered lamp; FIG. 4 is a side view of the solar powered lamp; FIG. 5 is a top view of the solar powered lamp; and, FIG. 6 is a bottom view of the solar powered lamp. The broken lines, shown in the drawings, represent portions of the article which form no part of the claimed design.

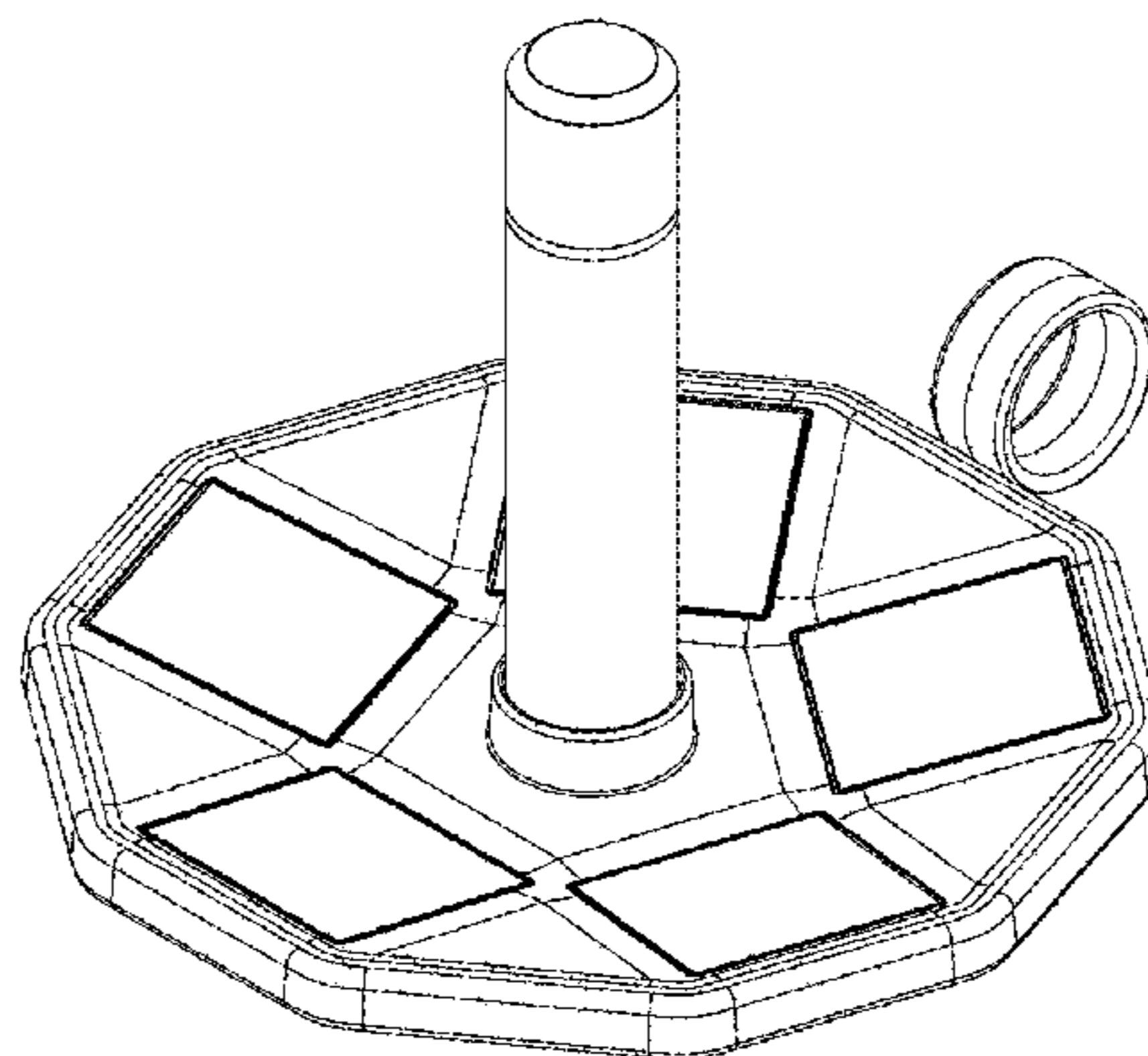
(56) **References Cited**

U.S. PATENT DOCUMENTS

D68,172 S * 9/1925 Tepfer D26/149
D158,146 S * 4/1950 Strayline D26/21
D163,613 S * 6/1951 La Mura D26/51
D204,898 S * 5/1966 Gross D26/10
D339,653 S * 9/1993 Porter D26/130
6,863,408 B2 * 3/2005 Hachkowski B64G 1/222
244/172.6

(Continued)

1 Claim, 6 Drawing Sheets



© Antoinetta J.H. van Egmond

(56)

References Cited

U.S. PATENT DOCUMENTS

7,746,009 B2 * 6/2010 Held F21V 23/04
 315/362
 7,841,731 B2 * 11/2010 Marka F21S 2/00
 362/233
 D699,879 S * 2/2014 Haenel D26/63
 8,833,953 B2 * 9/2014 Schmid A61B 19/5202
 362/33
 D728,737 S * 5/2015 Mueller D23/213
 9,033,547 B2 * 5/2015 Manahan F21V 21/14
 362/233
 D732,227 S * 6/2015 Blum D26/88
 D788,347 S * 5/2017 Evenson D26/88
 D822,256 S * 7/2018 Van Roosnnalen D26/74
 D827,189 S * 8/2018 Li D26/96
 2003/0008258 A1 * 1/2003 Massey F21V 35/00
 431/297
 2003/0064338 A1 * 4/2003 Jensen F21V 21/0824
 431/297
 2010/0081887 A1 * 4/2010 Marka F21V 23/04
 600/249
 2011/0261560 A1 * 10/2011 Muccianti F21S 6/00
 362/190

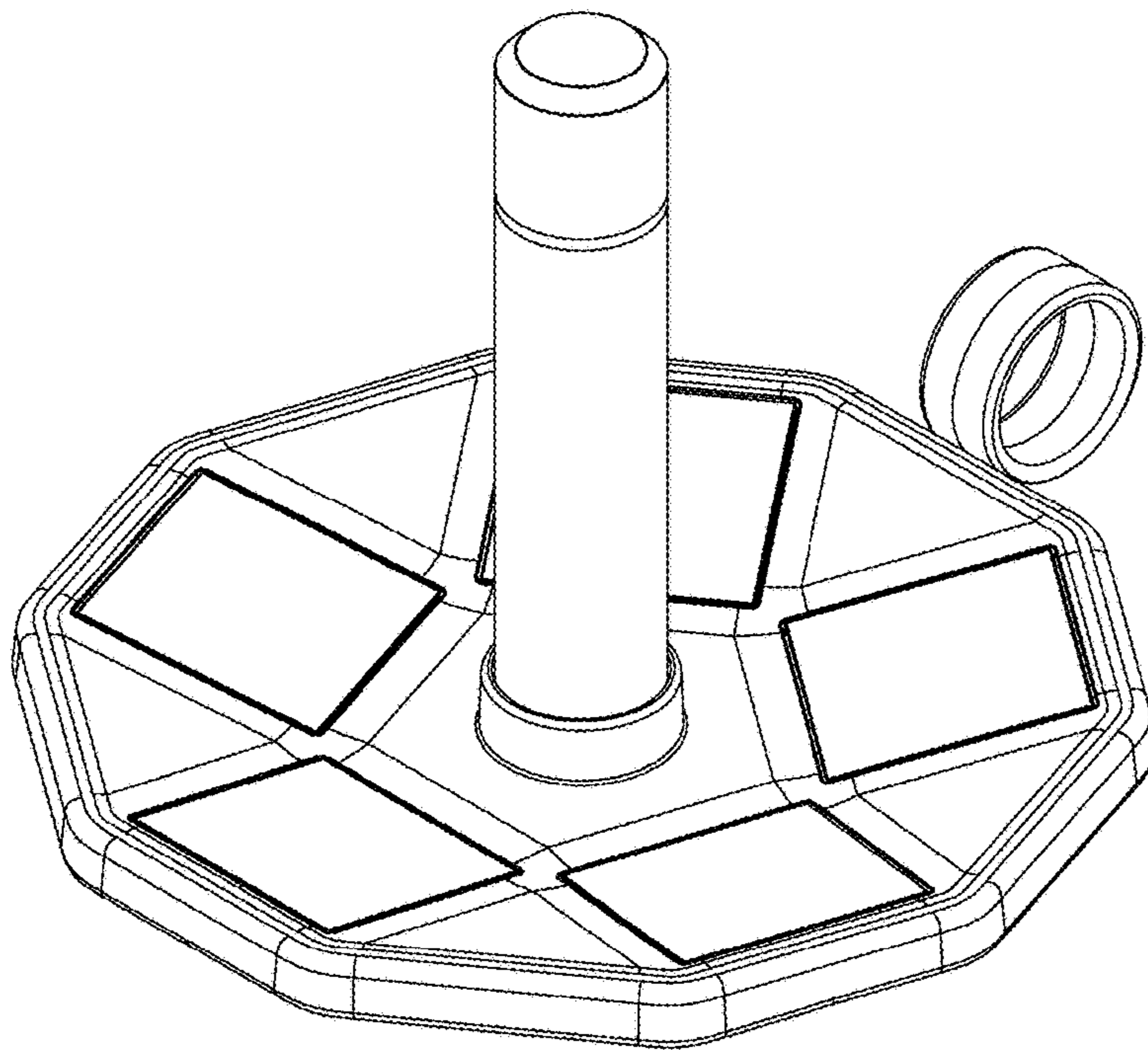
FOREIGN PATENT DOCUMENTS

GB 190407518 A * 5/1904
 GB 190424361 A * 12/1904
 GB 190512395 A * 8/1905
 GB 190615450 A * 10/1906
 GB 190818273 A * 12/1908
 GB 190825066 A * 4/1909
 GB 191401042 A * 12/1914 F21V 35/00
 GB 211631 A * 2/1924 F21V 35/00
 GB 213050 A * 3/1924 F21V 35/00
 JP 09252923 A * 9/1997 F21V 35/00

OTHER PUBLICATIONS

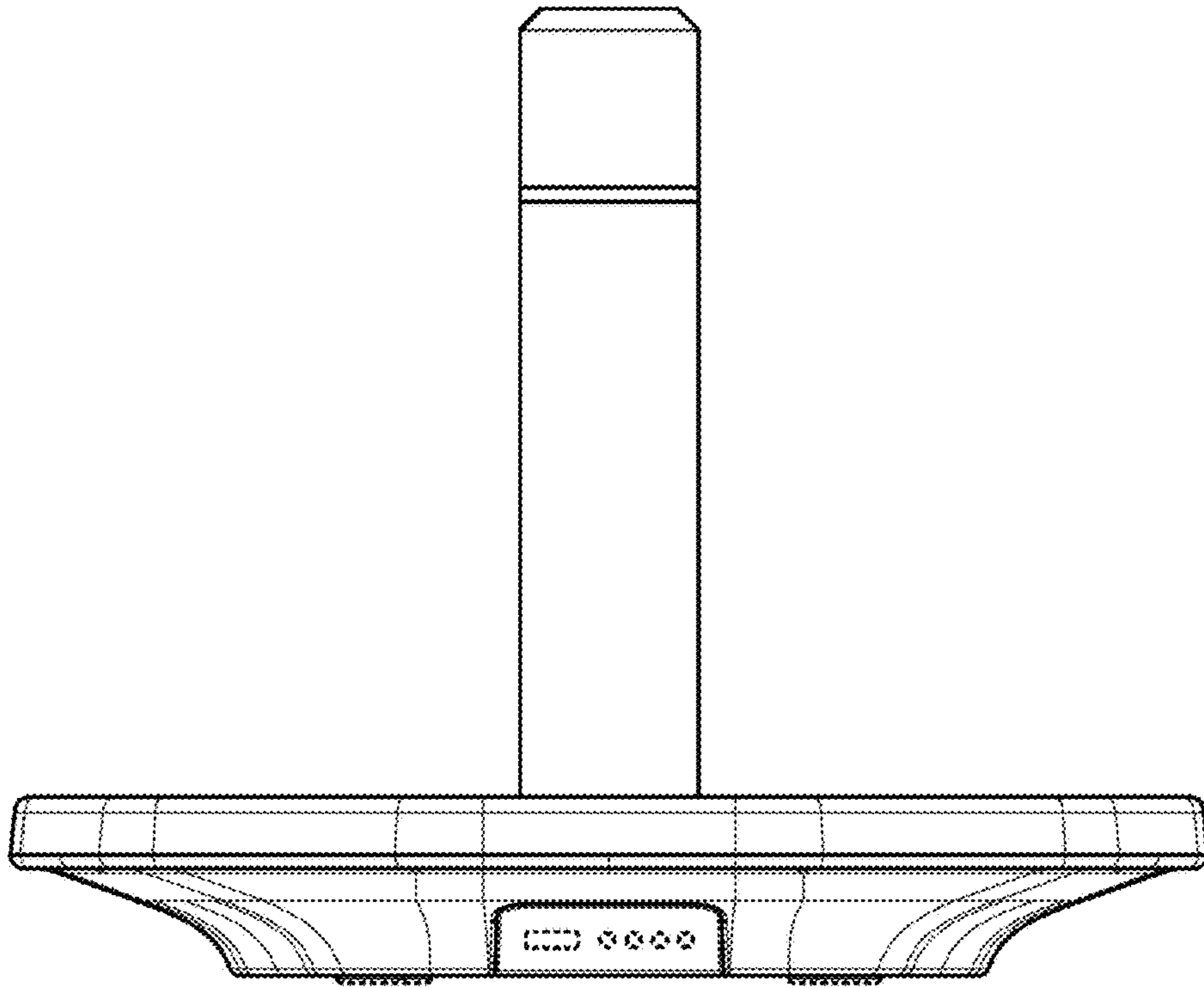
Miss Nightingale solar candle light, posted at misssolarlight.com,
 author and date not listed © Miss Nightingale/Annet Van Egmond,
 online, site visited Jan. 10, 2018. Available from Internet, URL:
<http://misssolarlight.com/#missNightingale> (Year: 0000).*

* cited by examiner



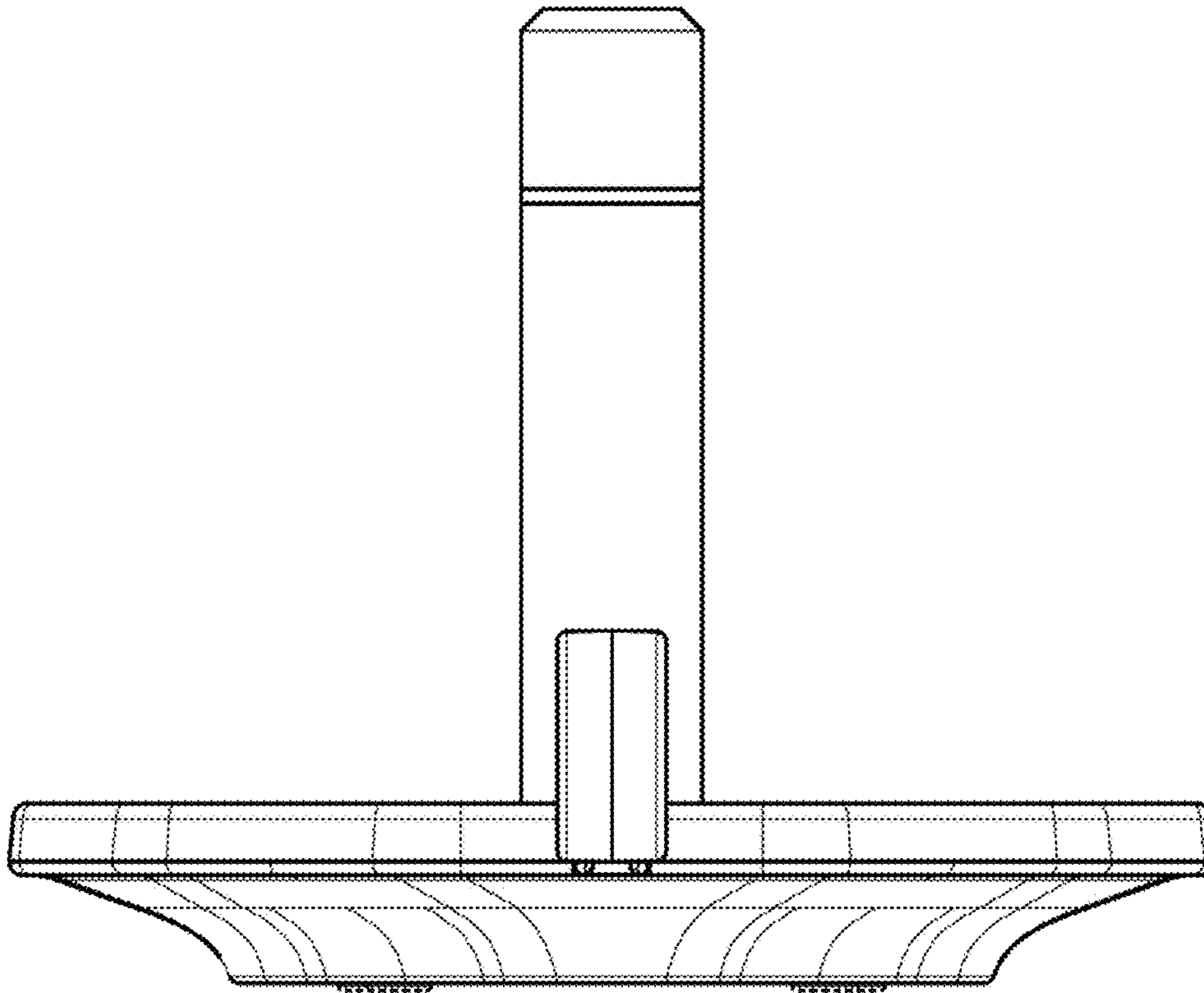
© Antoinetta J.H. van Egmond

FIG. 1



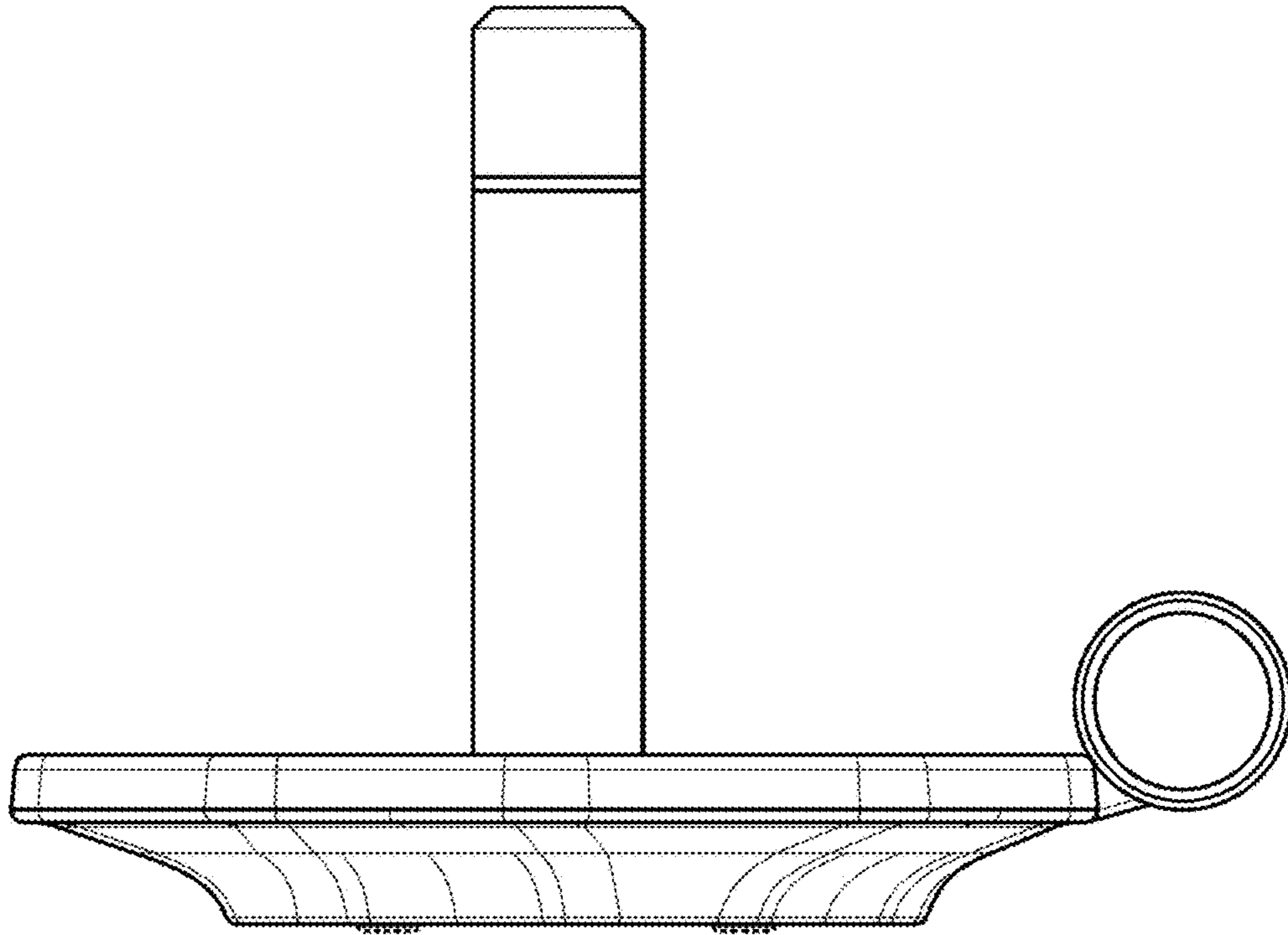
© Antoinetta J.H. van Egmond

FIG. 2



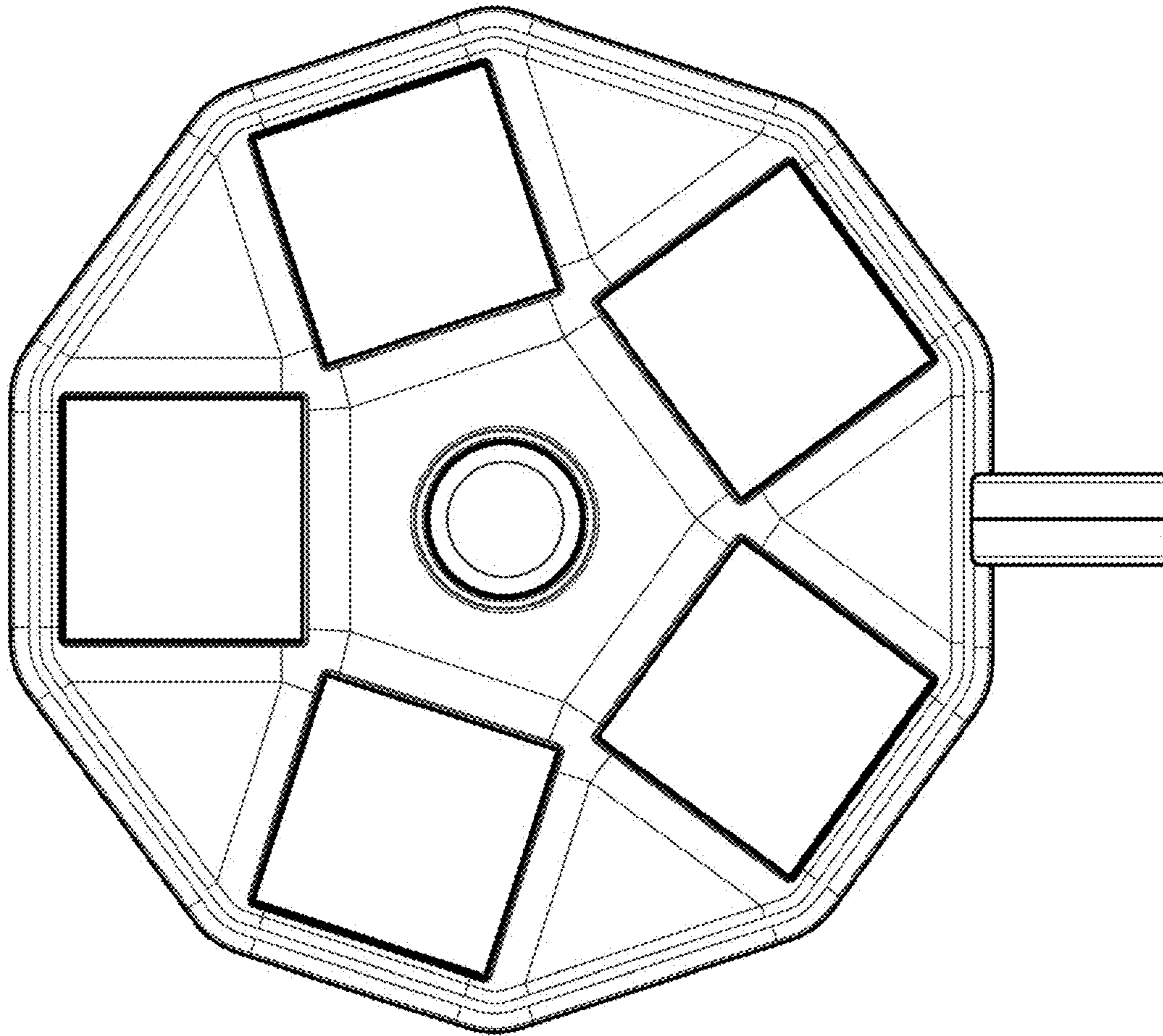
© Antoinetta J.H. van Egmond

FIG. 3



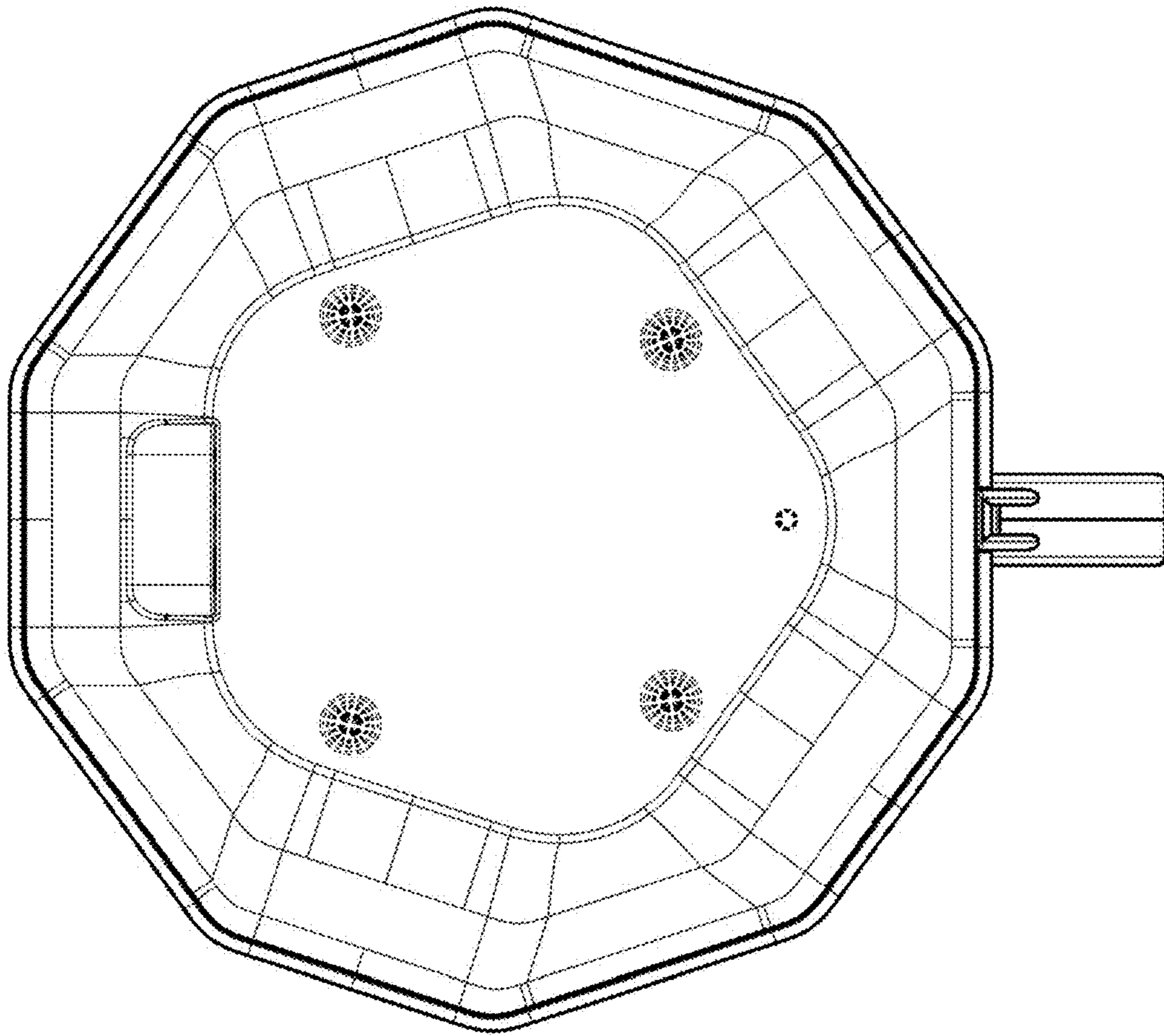
© Antoinetta J.H. van Egmond

FIG. 4



© Antoinetta J.H. van Egmond

FIG. 5



© Antoinetta J.H. van Egmond

FIG. 6