



US00D843634S

(12) **United States Design Patent**
Xiang

(10) **Patent No.:** **US D843,634 S**

(45) **Date of Patent:** **** Mar. 19, 2019**

- (54) **COLD ROOM LIGHT FIXTURE**
- (71) Applicant: **MaxLite, Inc.**, West Caldwell, NJ (US)
- (72) Inventor: **Jun Xiang**, Parsippany, NJ (US)
- (73) Assignee: **Maxlite, Inc.**, West Caldwell, NJ (US)
- (**) Term: **15 Years**
- (21) Appl. No.: **29/626,895**
- (22) Filed: **Nov. 21, 2017**
- (51) **LOC (11) Cl.** **26-03**
- (52) **U.S. Cl.**
USPC **D26/89**
- (58) **Field of Classification Search**
USPC D26/72, 79, 89
CPC F21S 8/03; F21S 8/031; F21S 8/04; F21S 8/043; F21S 8/06; F21S 8/063; F21V 29/76; F21V 29/763; F21V 29/767; F21V 29/77; F21V 29/78; F21W 2131/1005; F21W 2131/107; F21W 2131/402
See application file for complete search history.

- (56) **References Cited**
U.S. PATENT DOCUMENTS
D107,888 S * 1/1938 Waterbury D26/89
D197,187 S * 12/1963 Lasker 2/12
4,099,224 A * 7/1978 Valpey F21V 3/00
362/433
6,042,251 A * 3/2000 McCarthy F21S 8/033
362/147
D567,990 S * 4/2008 Hsu D26/128

- D571,035 S * 6/2008 Yu D26/89
 - D698,480 S * 1/2014 Moeller D26/89
 - D698,980 S * 2/2014 Yu D26/89
 - D759,285 S * 6/2016 Mitchell D26/89
 - D776,326 S * 1/2017 Van Winkle D26/89
 - D803,461 S * 11/2017 Jeswani D26/89
 - 2014/0268800 A1 * 9/2014 Castillo F21V 13/04
362/294
 - 2017/0268736 A1 * 9/2017 Harpenau F21S 8/043
- * cited by examiner

Primary Examiner — Clare E Heflin
(74) *Attorney, Agent, or Firm* — Budzyn IP Law, LLC

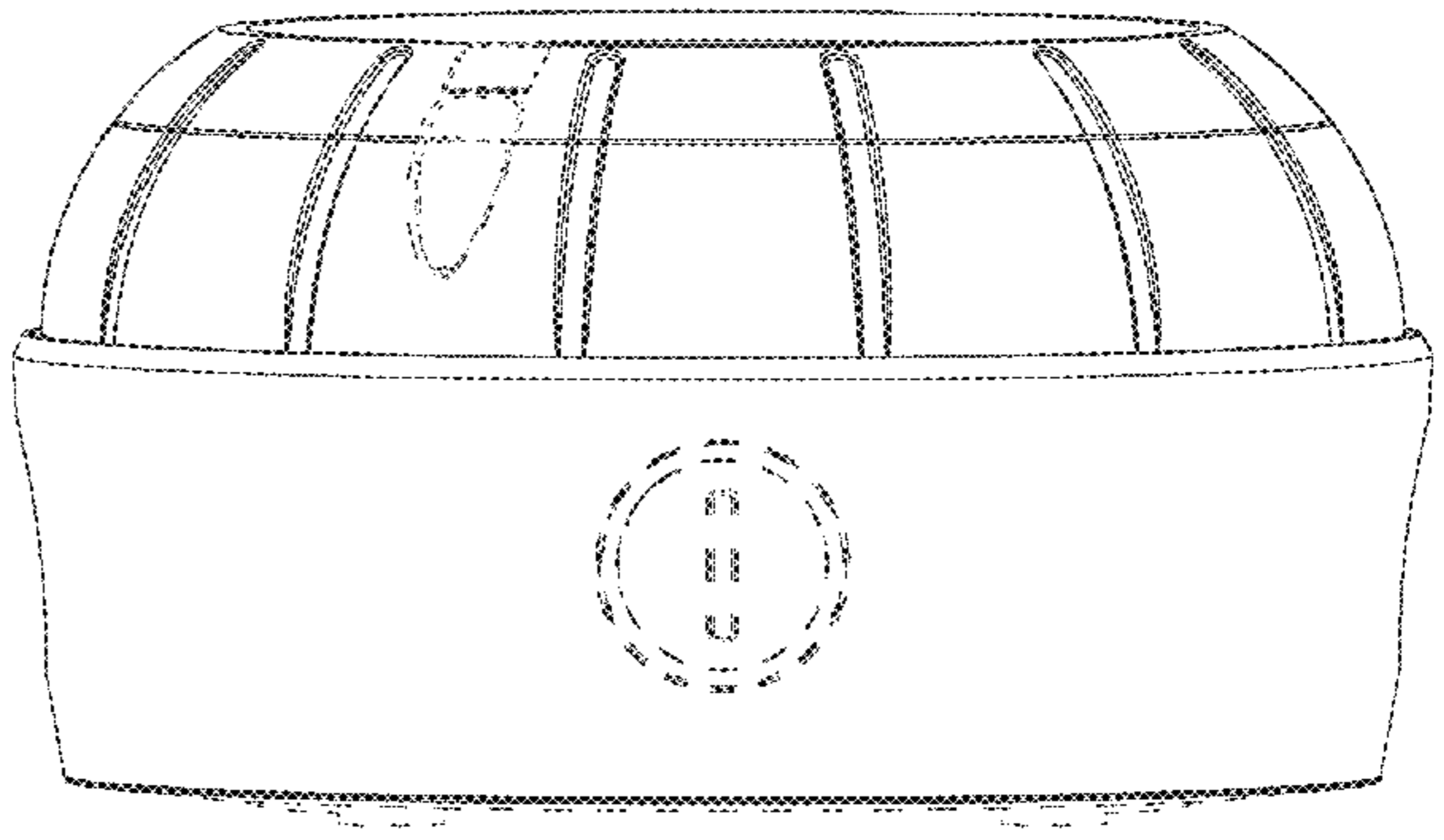
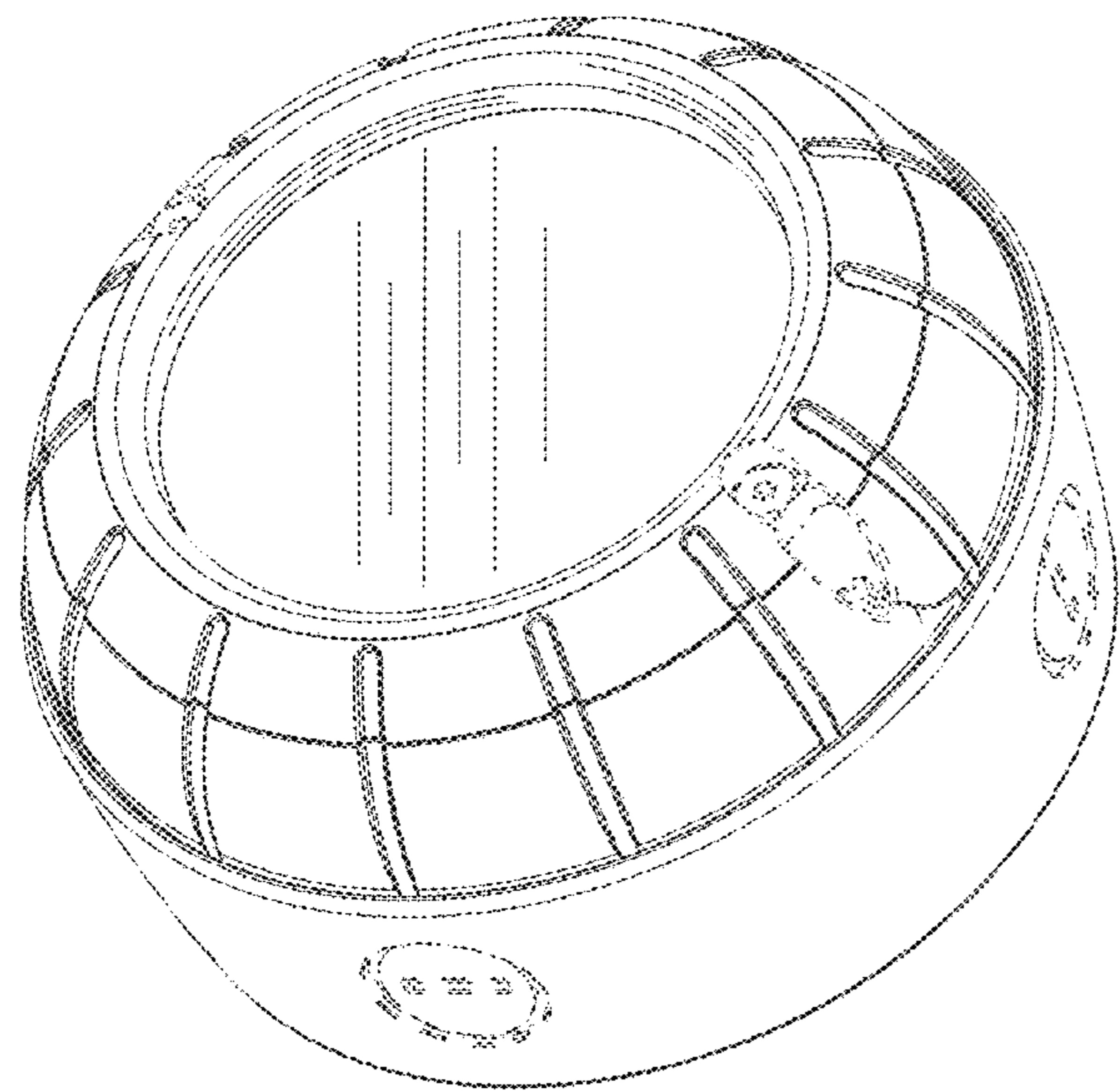
(57) **CLAIM**

The ornamental design for a cold room light fixture, as shown and described.

DESCRIPTION

FIG. 1 is a perspective view of a cold room light fixture; FIG. 2 is a front elevational view thereof; FIG. 3 is a rear elevational view thereof; FIG. 4 is a left side elevational view thereof; FIG. 5 is a right side elevational view thereof; FIG. 6 is a top plan view thereof; and, FIG. 7 is a bottom plan view thereof. The broken lines represent elements which form no part of the claimed design.

1 Claim, 7 Drawing Sheets



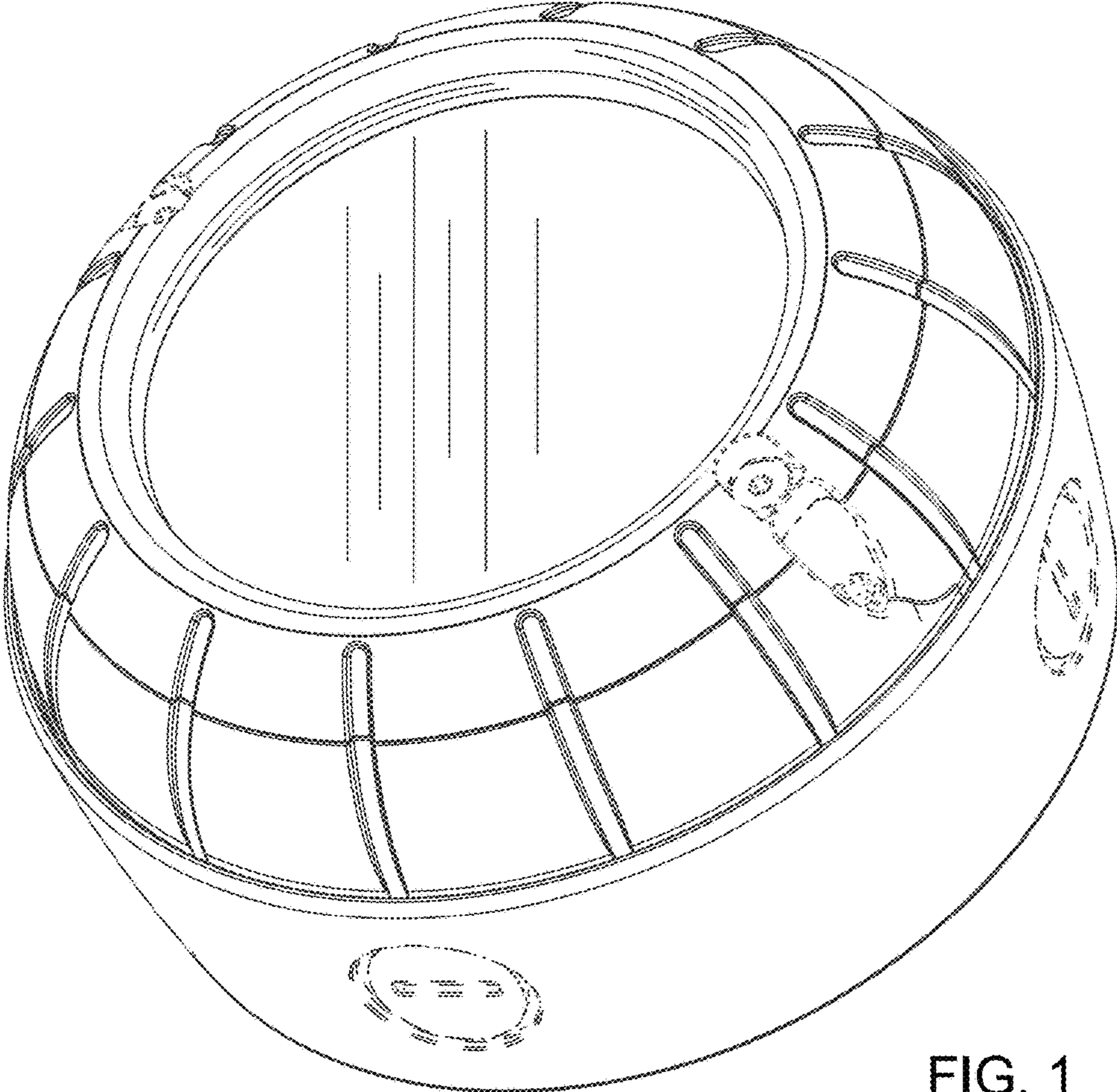


FIG. 1

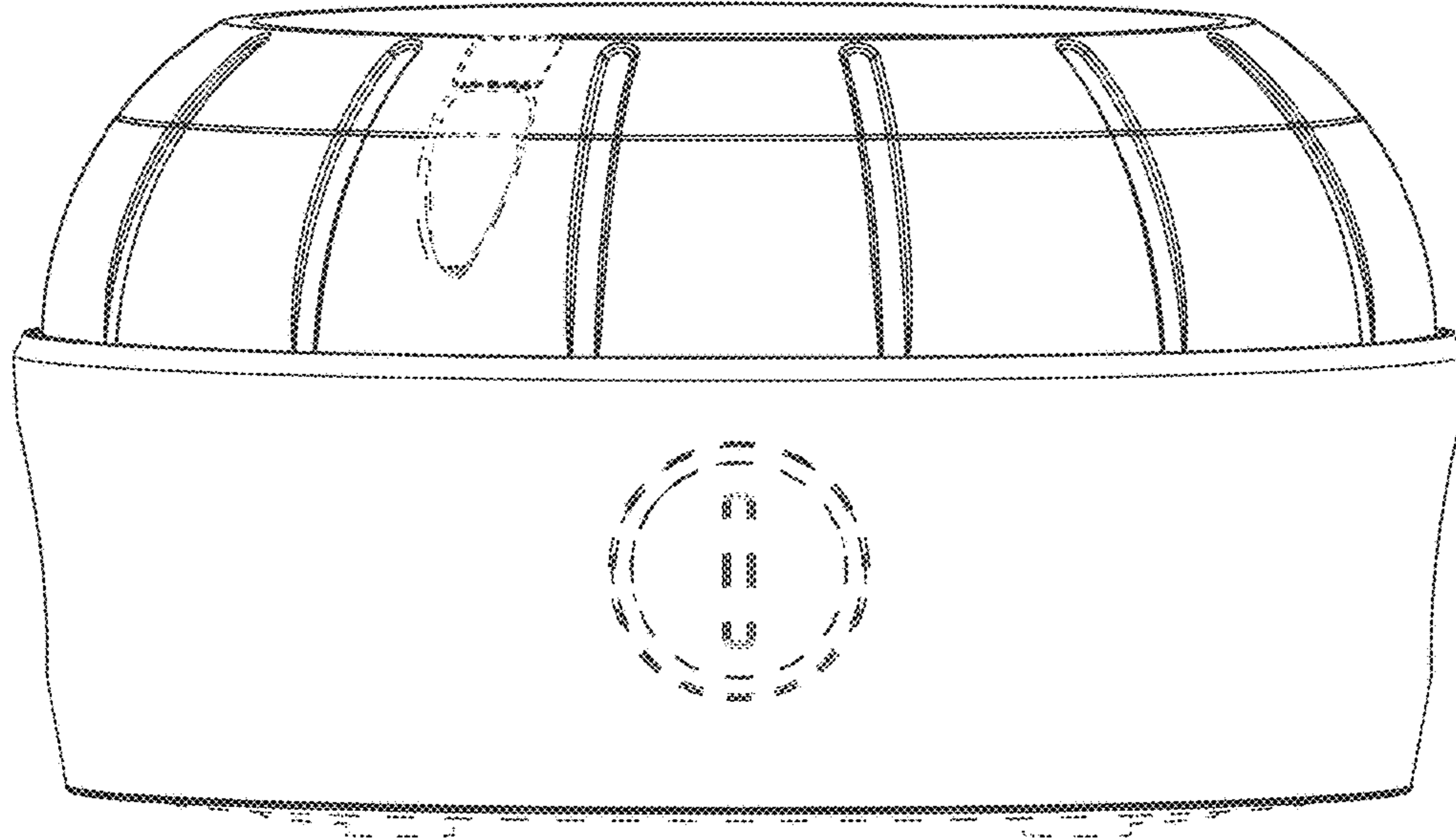


FIG. 2

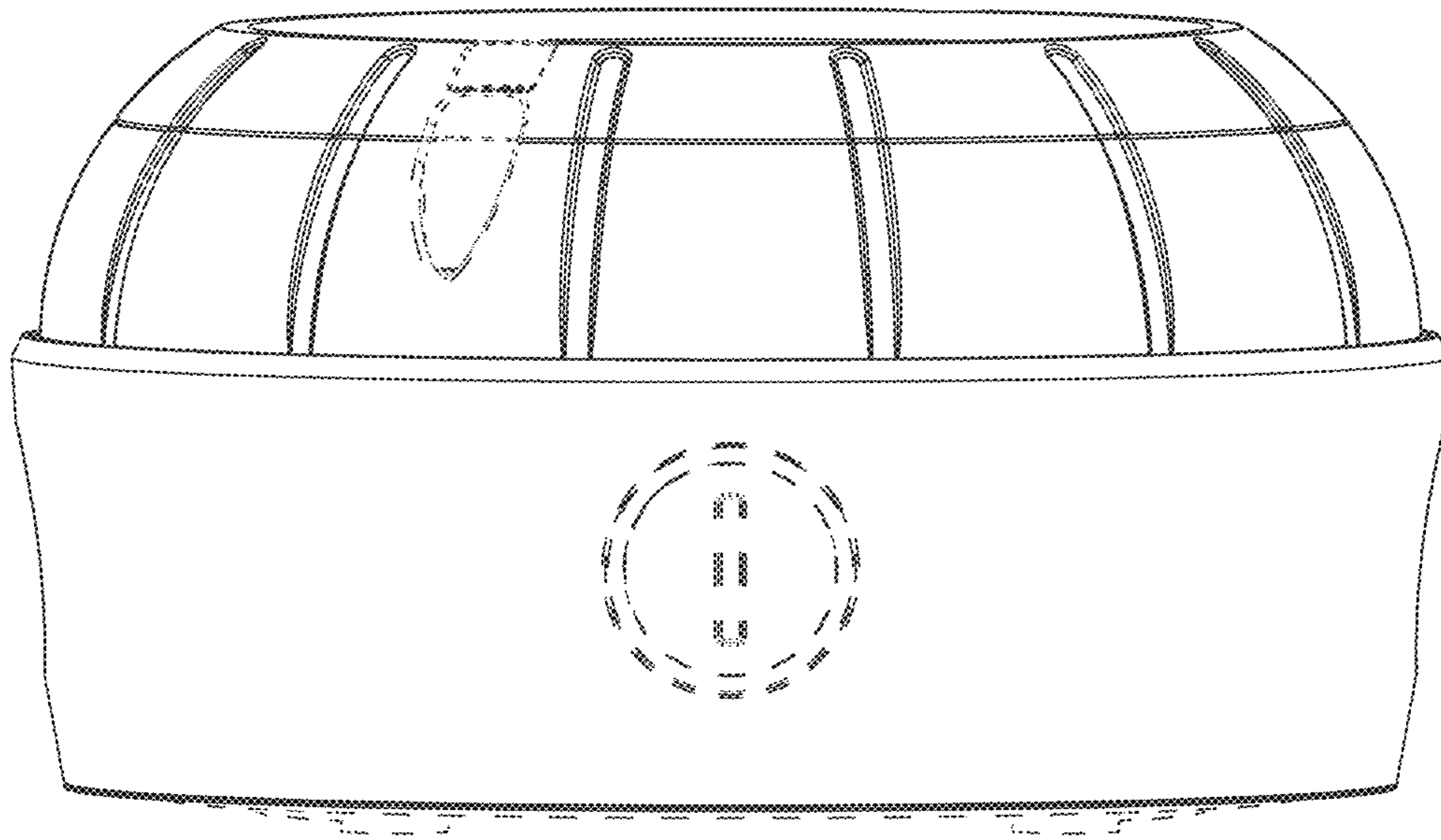


FIG. 3

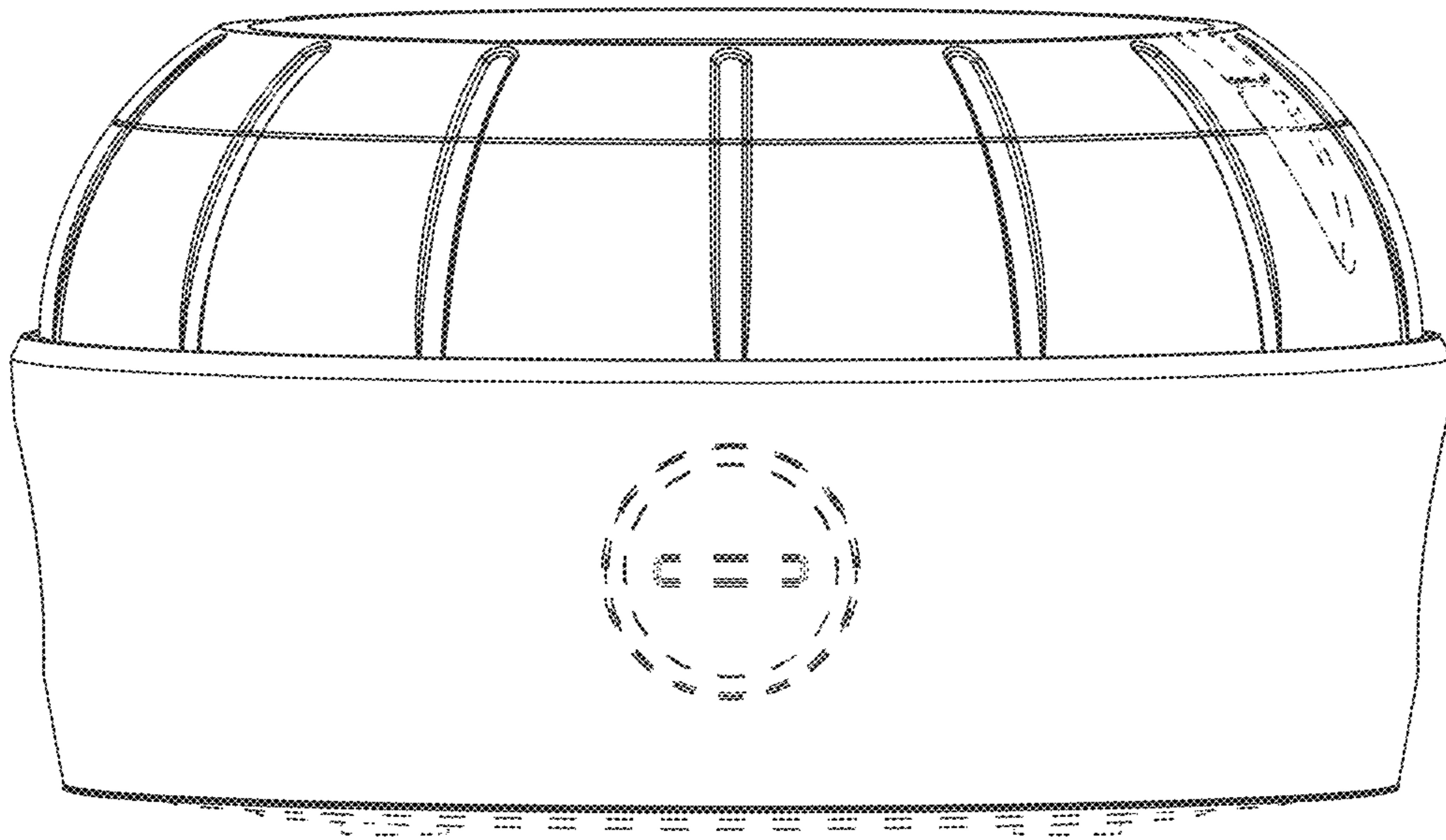


FIG. 4

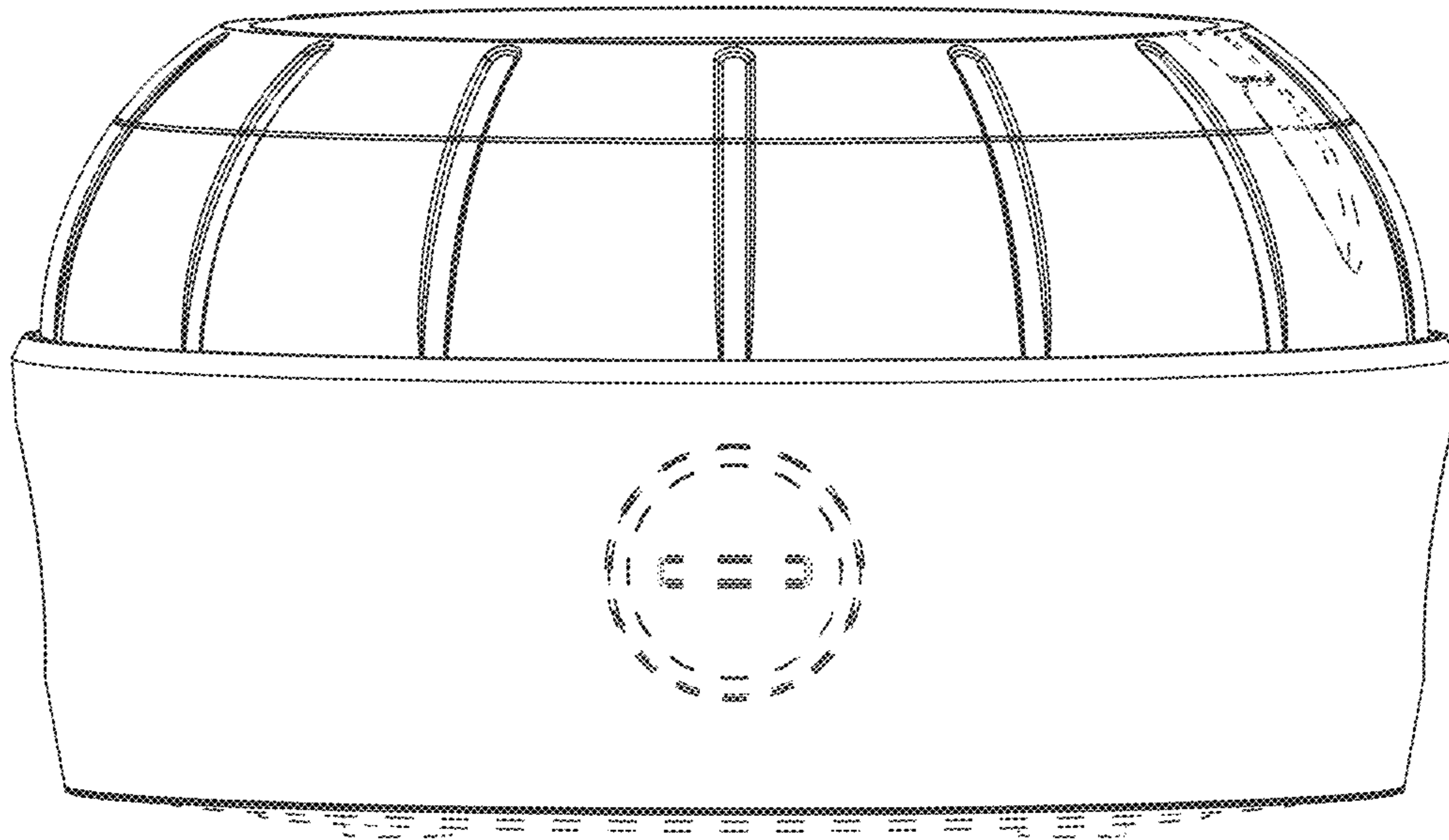


FIG. 5

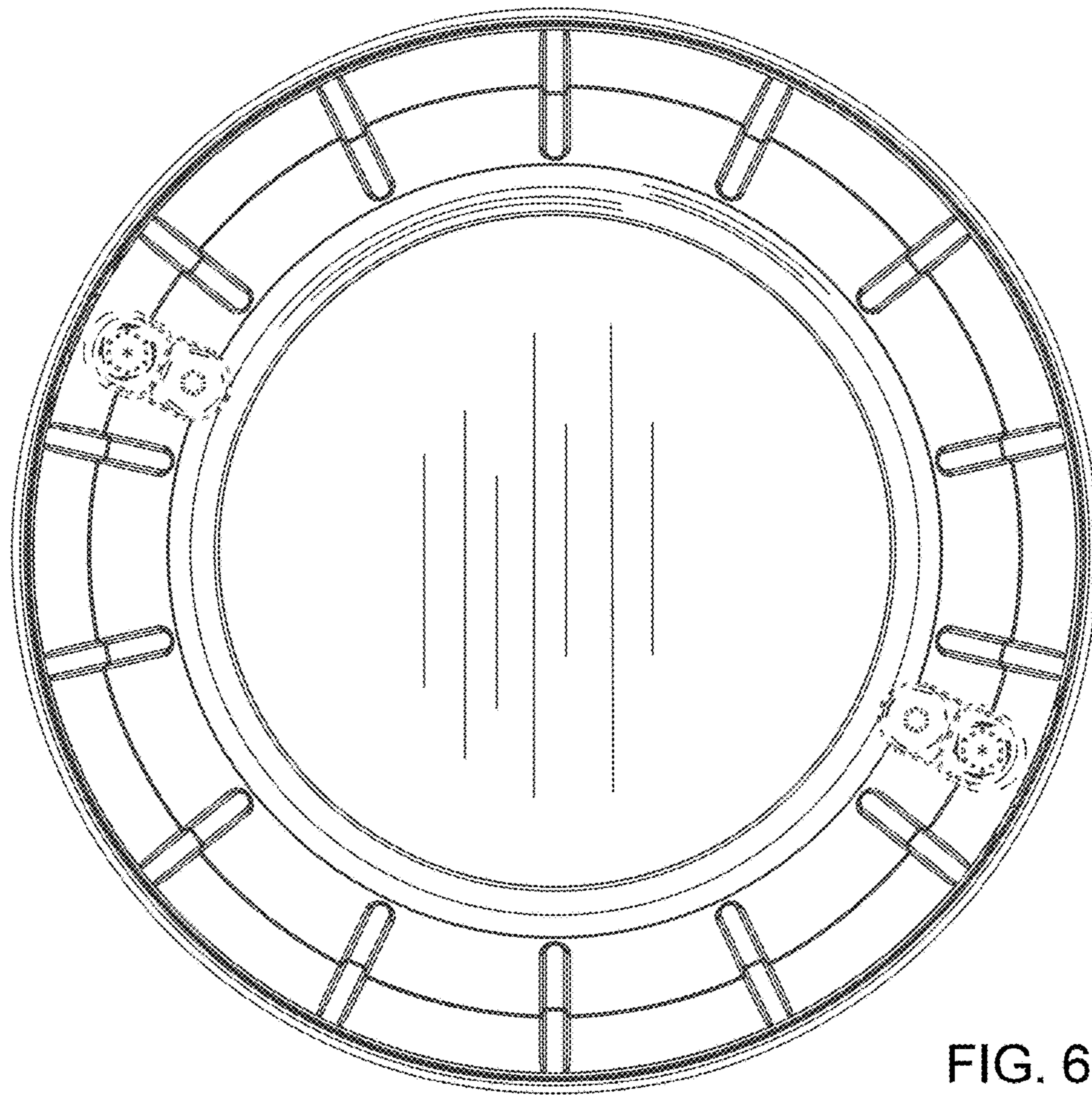


FIG. 6

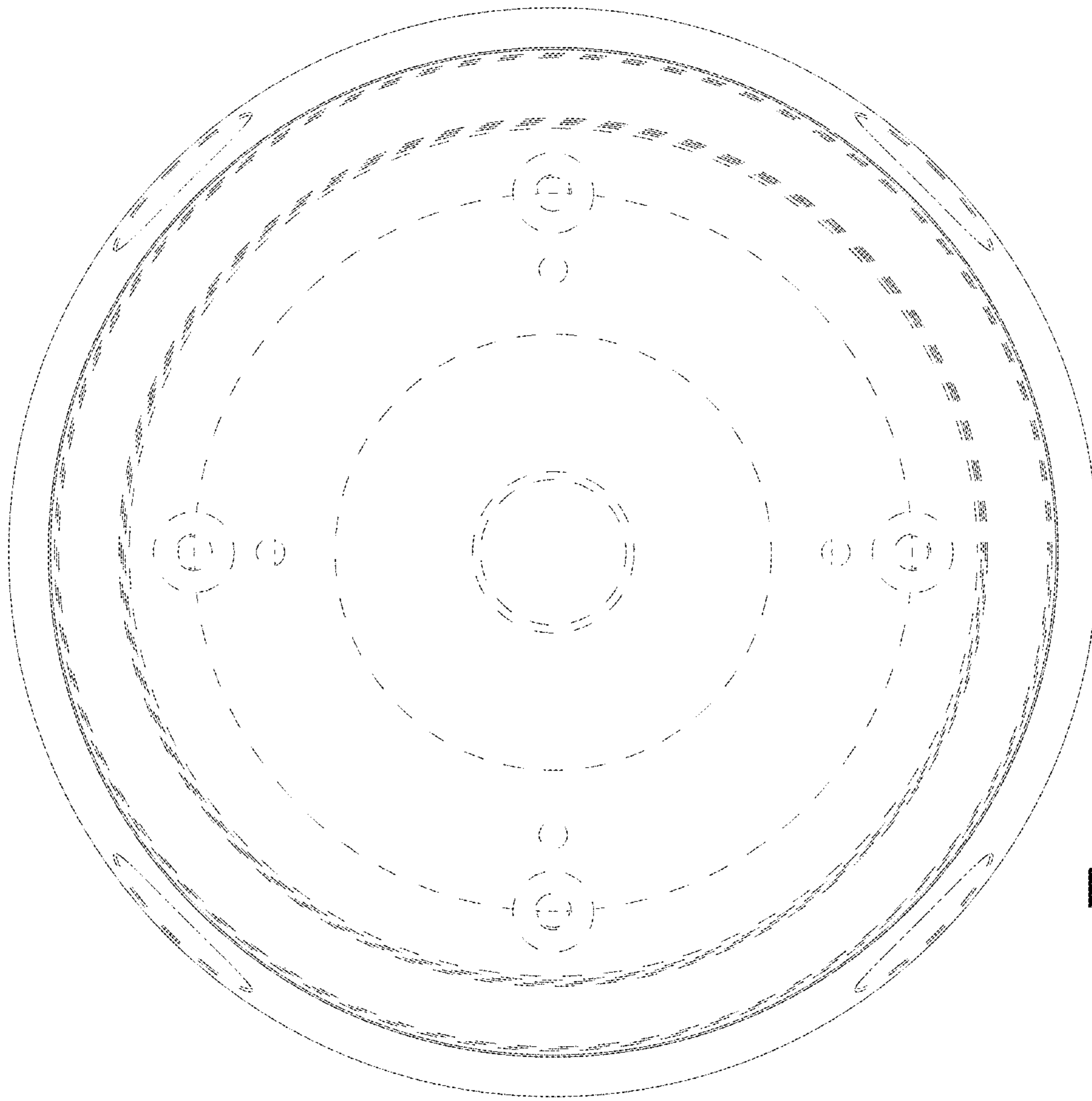


FIG. 7