



US00D843633S

(12) **United States Design Patent**
Zheng et al.

(10) **Patent No.:** **US D843,633 S**
(45) **Date of Patent:** **** Mar. 19, 2019**

(54) **LIGHTING FIXTURE**

(71) Applicant: **Otis Elevator Company**, Farmington, CT (US)

(72) Inventors: **SiSi Zheng**, Hangzhou (CN); **Zhe Li**, Hangzhou (CN)

(73) Assignee: **OTIS ELEVATOR COMPANY**, Farmington, CT (US)

(**) Term: **15 Years**

(21) Appl. No.: **29/623,150**

(22) Filed: **Oct. 23, 2017**

(30) **Foreign Application Priority Data**

Apr. 28, 2017 (CN) 2017 3 0151410

(51) **LOC (11) Cl.** **26-03**

(52) **U.S. Cl.**
USPC **D26/89**

(58) **Field of Classification Search**

USPC D26/72, 79, 89
CPC F21S 8/03; F21S 8/031; F21S 8/04; F21S 8/043; F21S 8/06; F21S 8/063; F21V 29/76; F21V 29/763; F21V 29/767; F21V 29/77; F21V 29/78; F21W 2131/1005; F21W 2131/107; F21W 2131/402

See application file for complete search history.

(56) **References Cited**

U.S. PATENT DOCUMENTS

D514,732 S * 2/2006 Benensohn D26/89
D640,821 S * 6/2011 Kocks D26/89
D649,678 S * 11/2011 Germain D26/85
8,096,671 B1 * 1/2012 Cronk F21S 2/005
362/147

D668,371 S * 10/2012 Alpaslan D26/72
D680,257 S * 4/2013 Patrick D26/89
D718,484 S * 11/2014 Eberle D26/89
D770,077 S * 10/2016 Lai D26/89
D813,438 S * 3/2018 Vyvey D26/72
D827,179 S * 8/2018 Mou D26/72
2008/0278957 A1 * 11/2008 Pickard F21S 8/02
362/373
2012/0320627 A1 * 12/2012 Araki F21S 8/04
362/608
2014/0362602 A1 * 12/2014 Hofman E04B 2/7455
362/612
2016/0333578 A1 * 11/2016 Ng E04B 2/7425
2018/0112856 A1 * 4/2018 Yaphe F21S 2/005
2018/0252858 A1 * 9/2018 Lowes G02B 6/0045

* cited by examiner

Primary Examiner — Clare E Hefflin

(74) *Attorney, Agent, or Firm* — Cantor Colburn LLP

(57) **CLAIM**

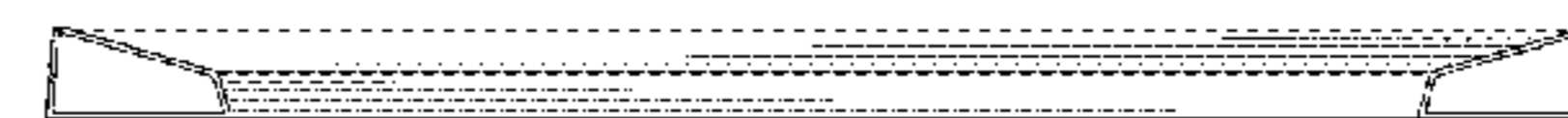
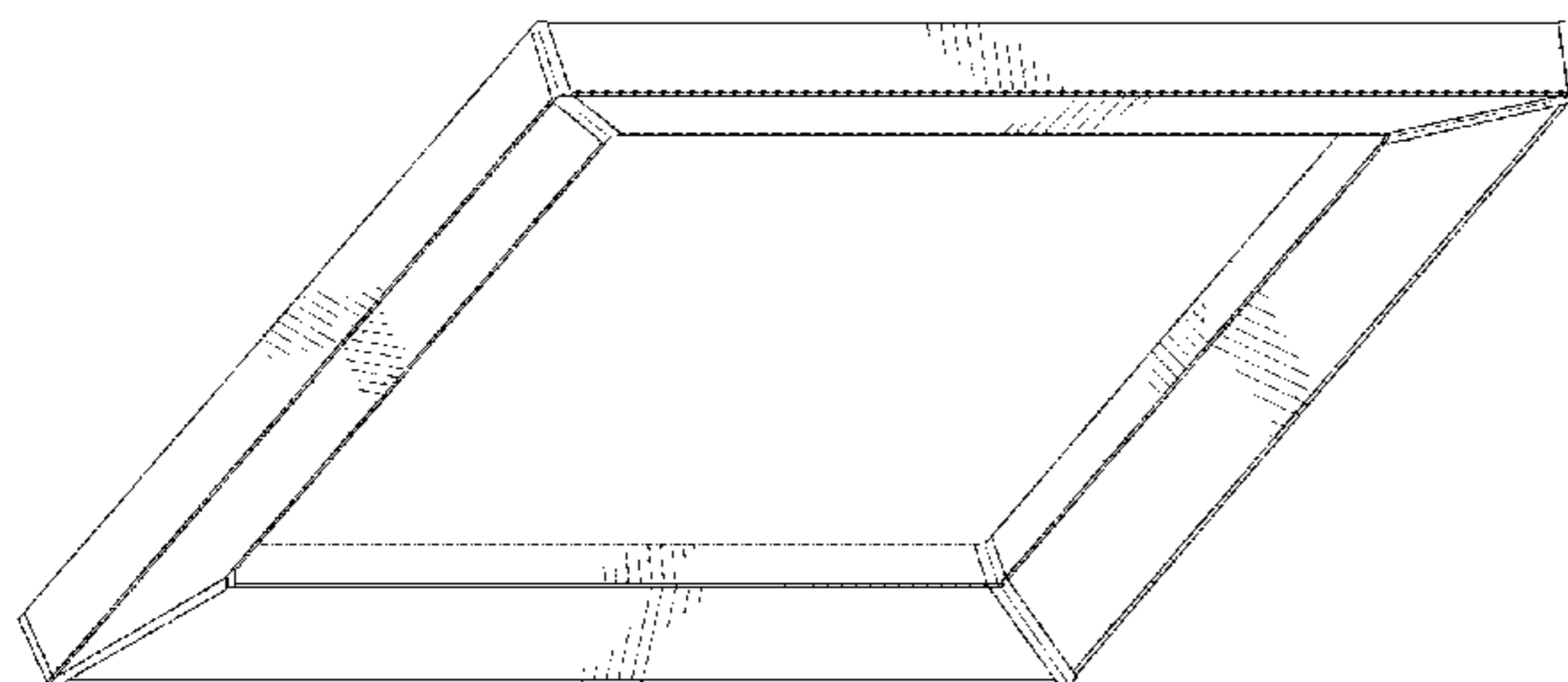
We claim, the ornamental design for a lighting fixture, as shown and described.

DESCRIPTION

FIG. 1 is a perspective view of a lighting fixture, showing our new design in a first embodiment;
FIG. 2 is a front view thereof;
FIG. 3 is a rear view thereof;
FIG. 4 is a side view thereof;
FIG. 5 is another side view thereof;
FIG. 6 is a top view thereof;
FIG. 7 is a bottom view thereof; and,
FIG. 8 is a cross-sectional view as taken along section 8-8 of FIG. 2.

The broken-line disclosure in the views is understood to form no part of the claimed design.

1 Claim, 6 Drawing Sheets



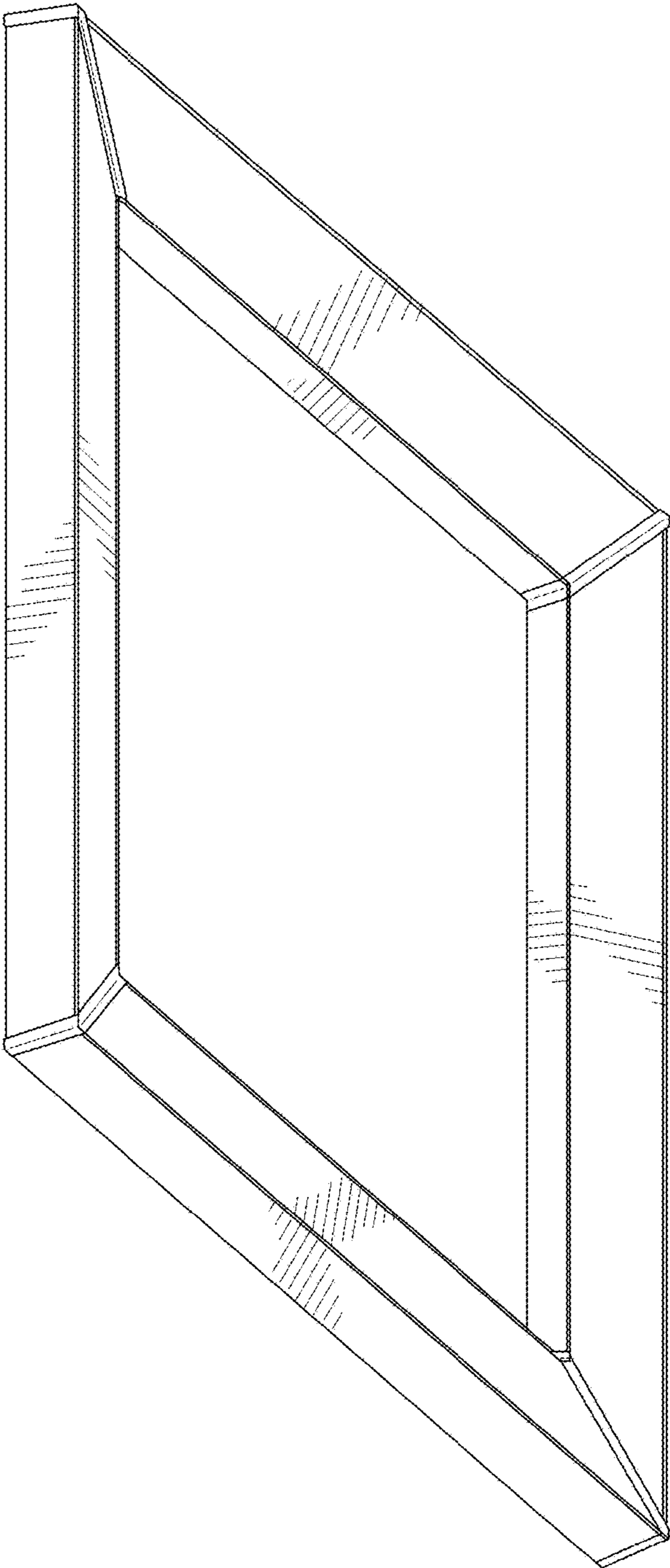


FIG. 1

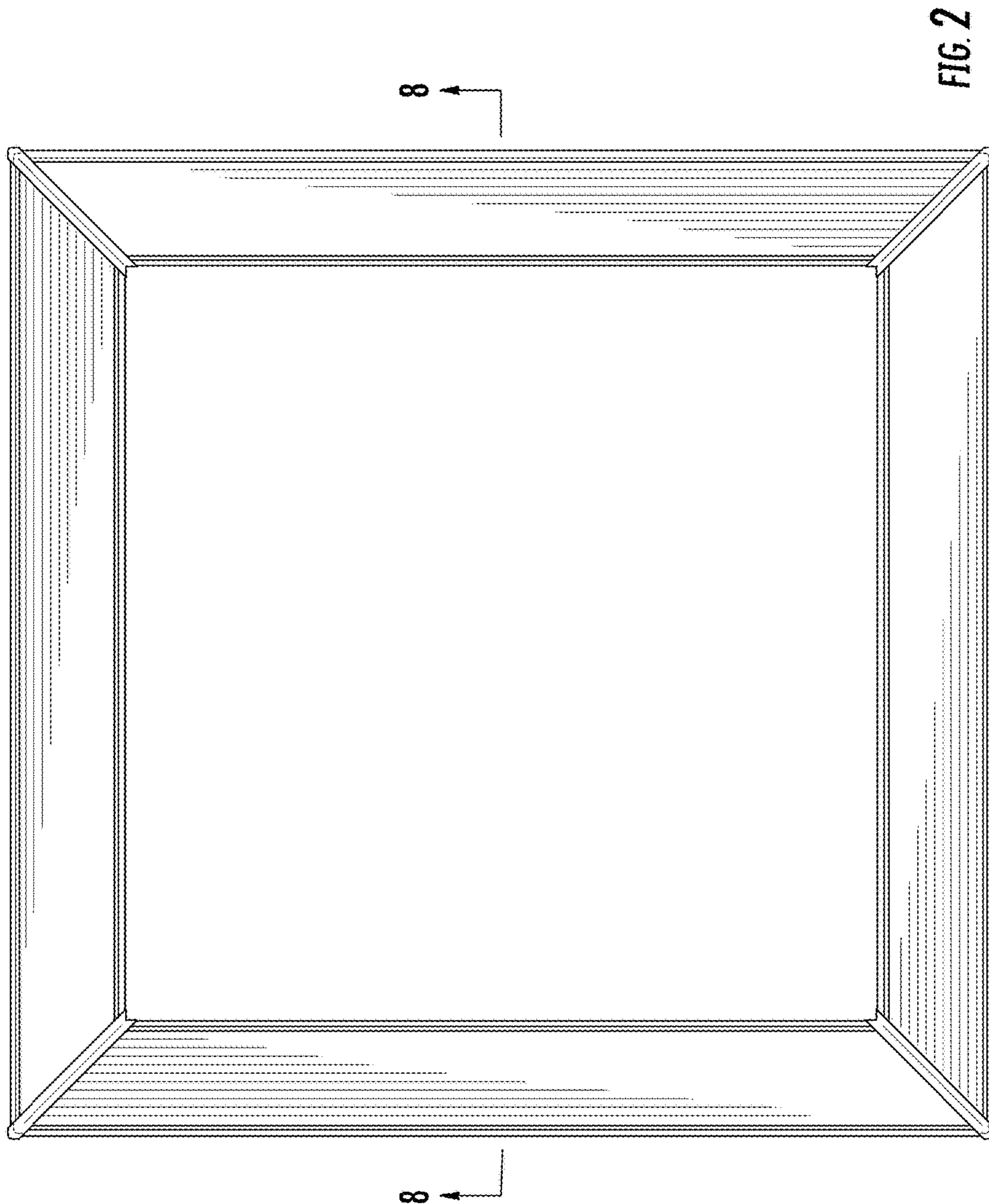


FIG. 3

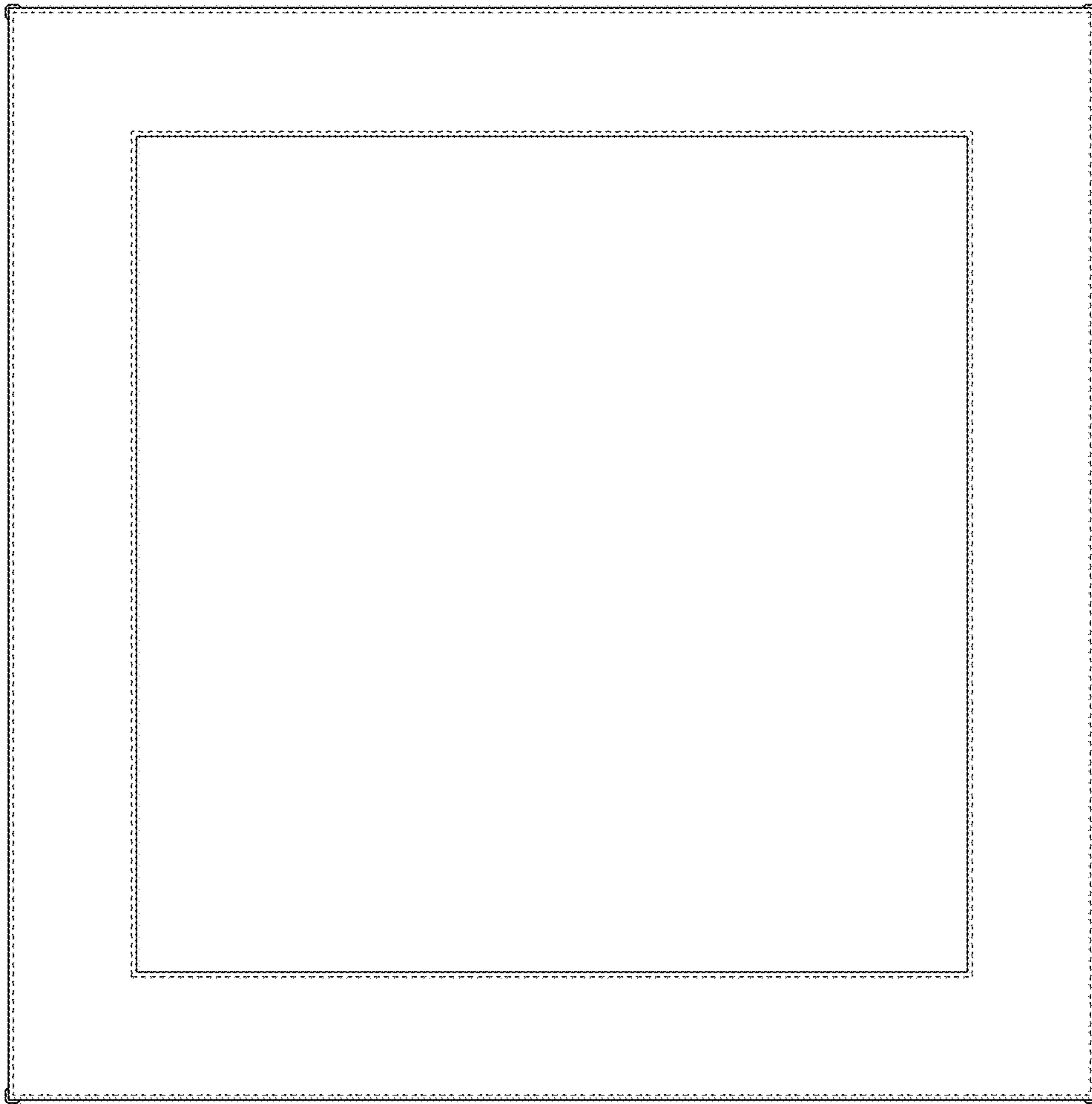




FIG. 5

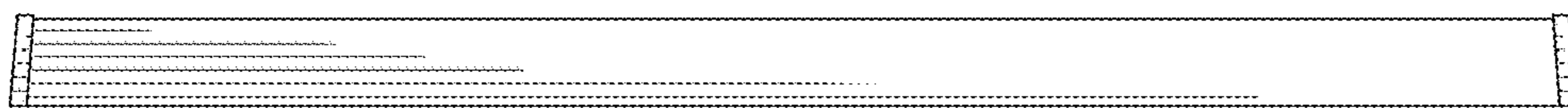


FIG. 4

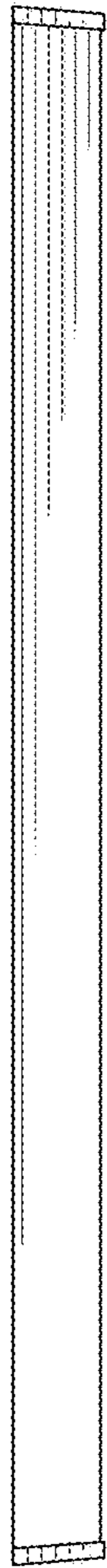


FIG. 6

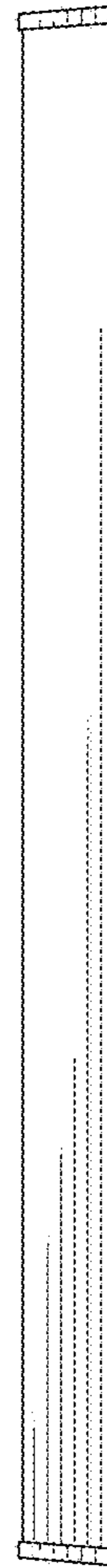


FIG. 7

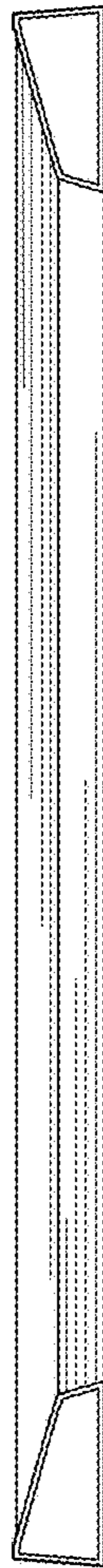


FIG. 8