



US00D843630S

(12) **United States Design Patent** (10) **Patent No.:** **US D843,630 S**
Rybol et al. (45) **Date of Patent:** **** *Mar. 19, 2019**

(54) **LUMINAIRE**

(56) **References Cited**

(71) Applicant: **ZUMTOBEL LIGHTING GMBH,**
Lemgo (DE)

U.S. PATENT DOCUMENTS

(72) Inventors: **Alexander Rybol,** Stuttgart (DE);
Juergen Gaiser, Fellbach (DE)

| | | | |
|--------------|--------|-------------------|--------|
| D568,522 S * | 5/2008 | Engel | D26/74 |
| D659,879 S * | 5/2012 | Rashidi | D26/74 |
| D710,047 S * | 7/2014 | Hildebrandt | D26/74 |
| D777,967 S * | 1/2017 | Redfern | D26/74 |
| D786,472 S * | 5/2017 | Redfern | D26/74 |
| D786,473 S * | 5/2017 | Dean | D26/74 |
| D790,102 S * | 6/2017 | Guzzini | D26/74 |
| D808,058 S * | 1/2018 | Johnson | D26/74 |
| D809,177 S * | 1/2018 | Fujisawa | D26/74 |
| D810,345 S * | 2/2018 | Redfern | D26/74 |

(73) Assignee: **ZUMTOBEL LIGHTING GMBH,**
Lemgo (DE)

(*) Notice: This patent is subject to a terminal disclaimer.

* cited by examiner

(**) Term: **15 Years**

Primary Examiner — Cathron C Brooks

(21) Appl. No.: **29/614,386**

(74) *Attorney, Agent, or Firm* — Scully Scott Murphy and Presser; Frank Digiglio

(22) Filed: **Aug. 18, 2017**

(57) **CLAIM**

(30) **Foreign Application Priority Data**

The ornamental design for a luminaire, as shown.

Feb. 21, 2017 (EM) 003 760 248

DESCRIPTION

(51) **LOC (11) Cl.** **26-05**

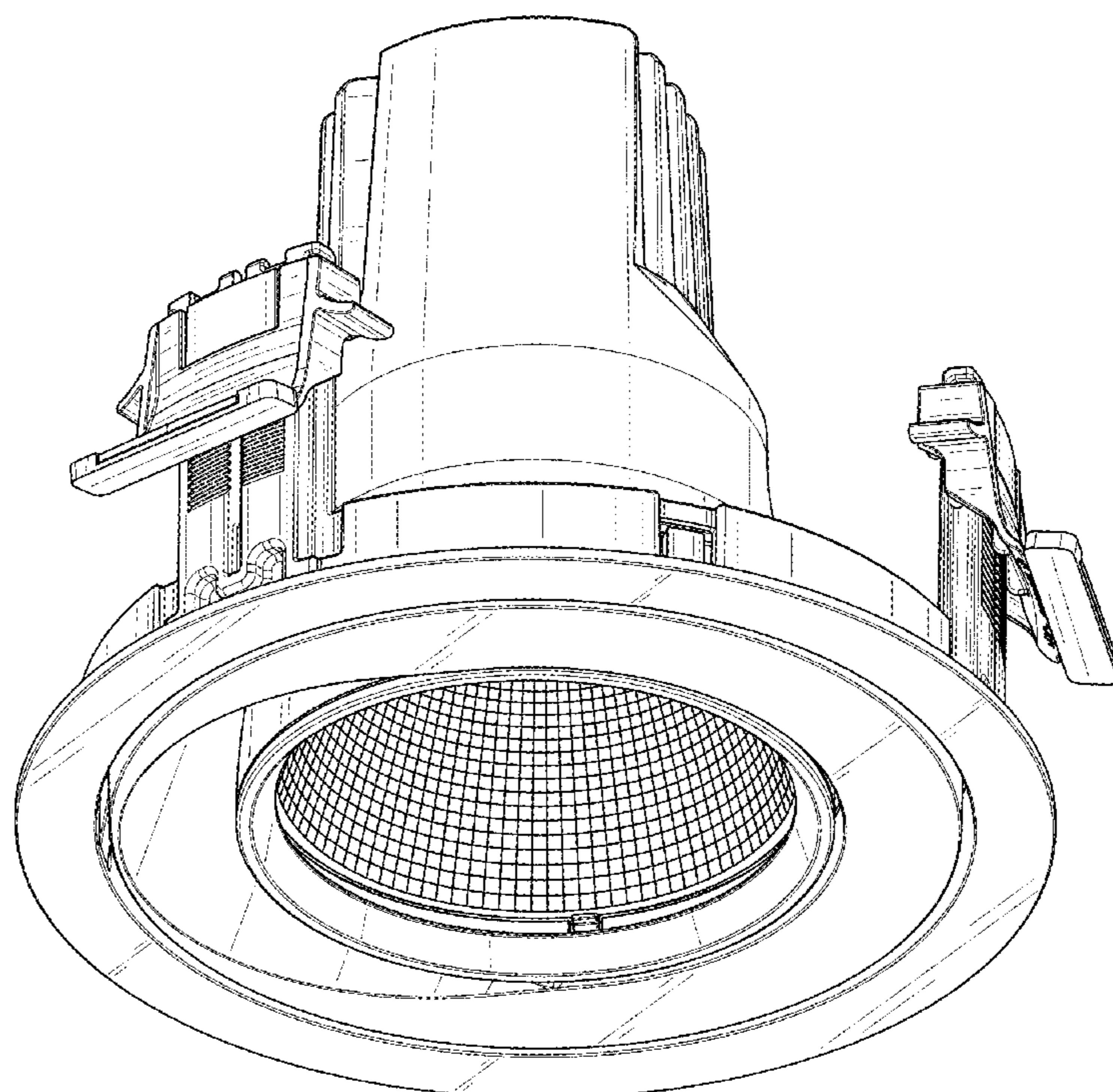
(52) **U.S. Cl.**
USPC **D26/74**

(58) **Field of Classification Search**
USPC D26/72, 74, 79, 85, 88, 89
CPC F21S 8/00; F21S 8/02; F21S 8/026; F21V
21/04; F21V 21/042; F21V 21/044; F21V
21/047; F21V 29/00; F21V 29/74; F21V
29/75; F21V 29/76

FIG. 1 is a bottom perspective view of a luminaire showing our new design;
FIG. 2 is a top perspective view thereof;
FIG. 3 is a bottom plan view thereof;
FIG. 4 is a top plan view thereof;
FIG. 5 is a front elevation view thereof;
FIG. 6 is a side elevation view thereof; and,
FIG. 7 is a rear elevation view thereof.

See application file for complete search history.

1 Claim, 7 Drawing Sheets



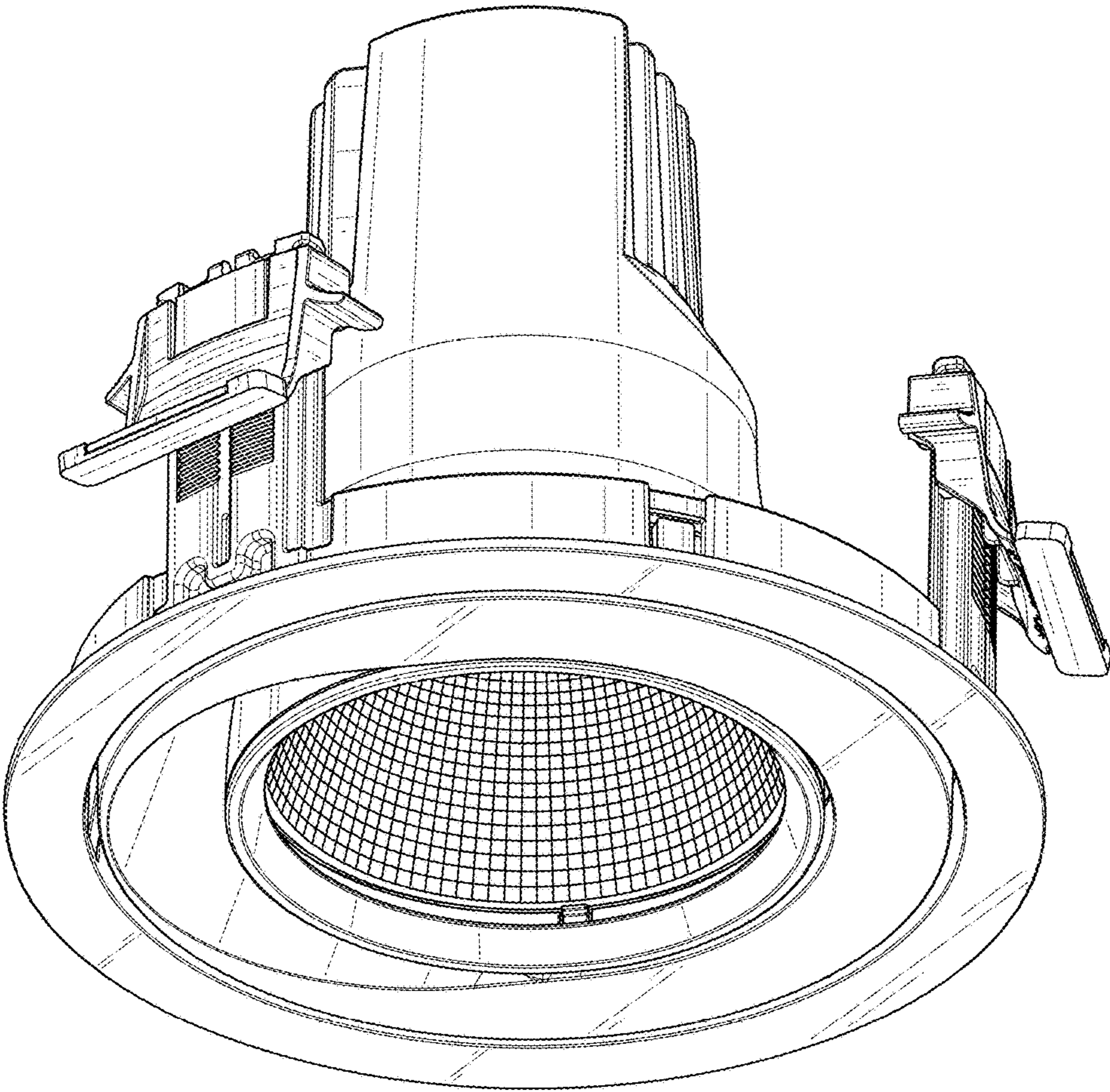


FIG. 1

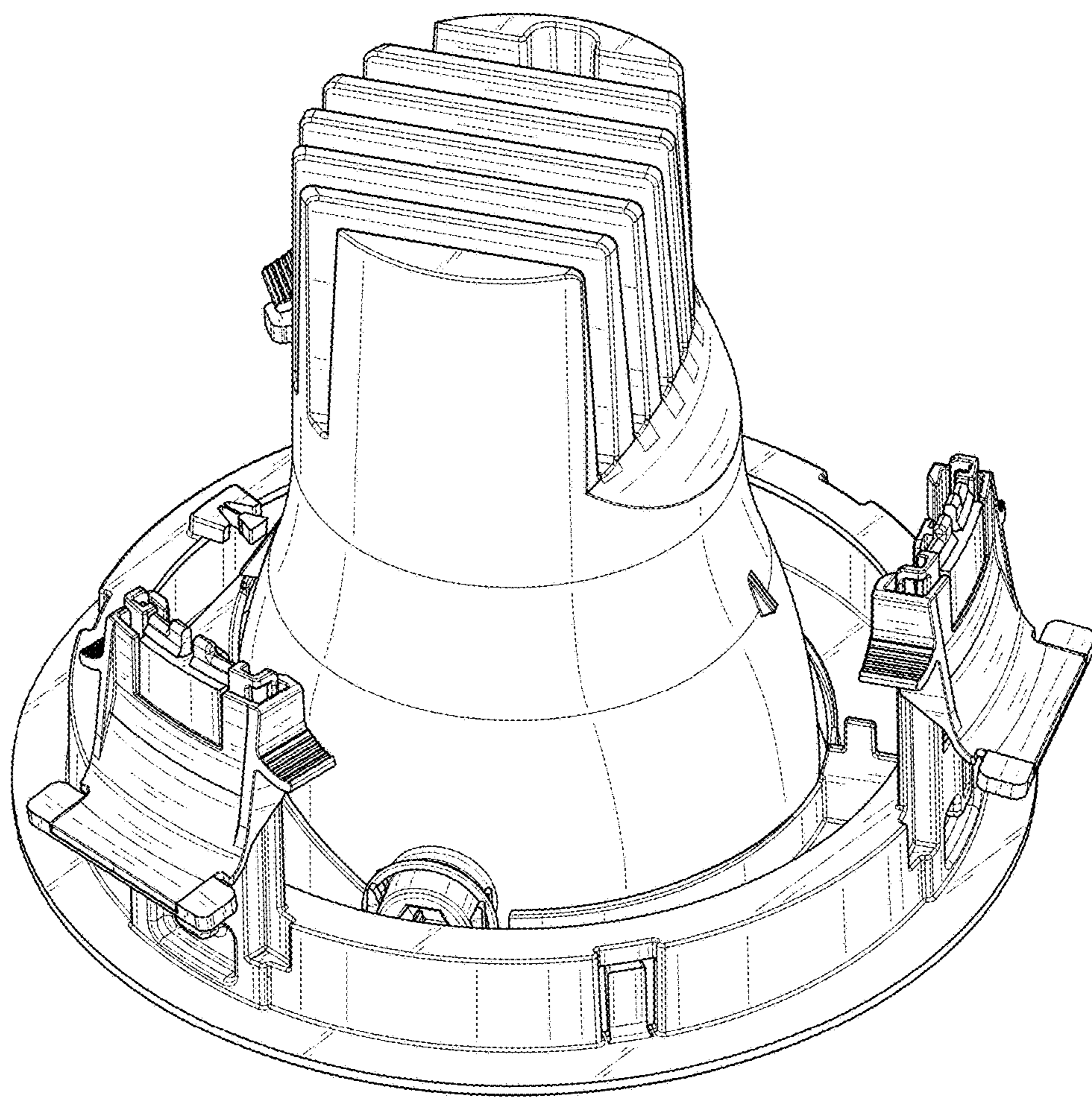


FIG. 2

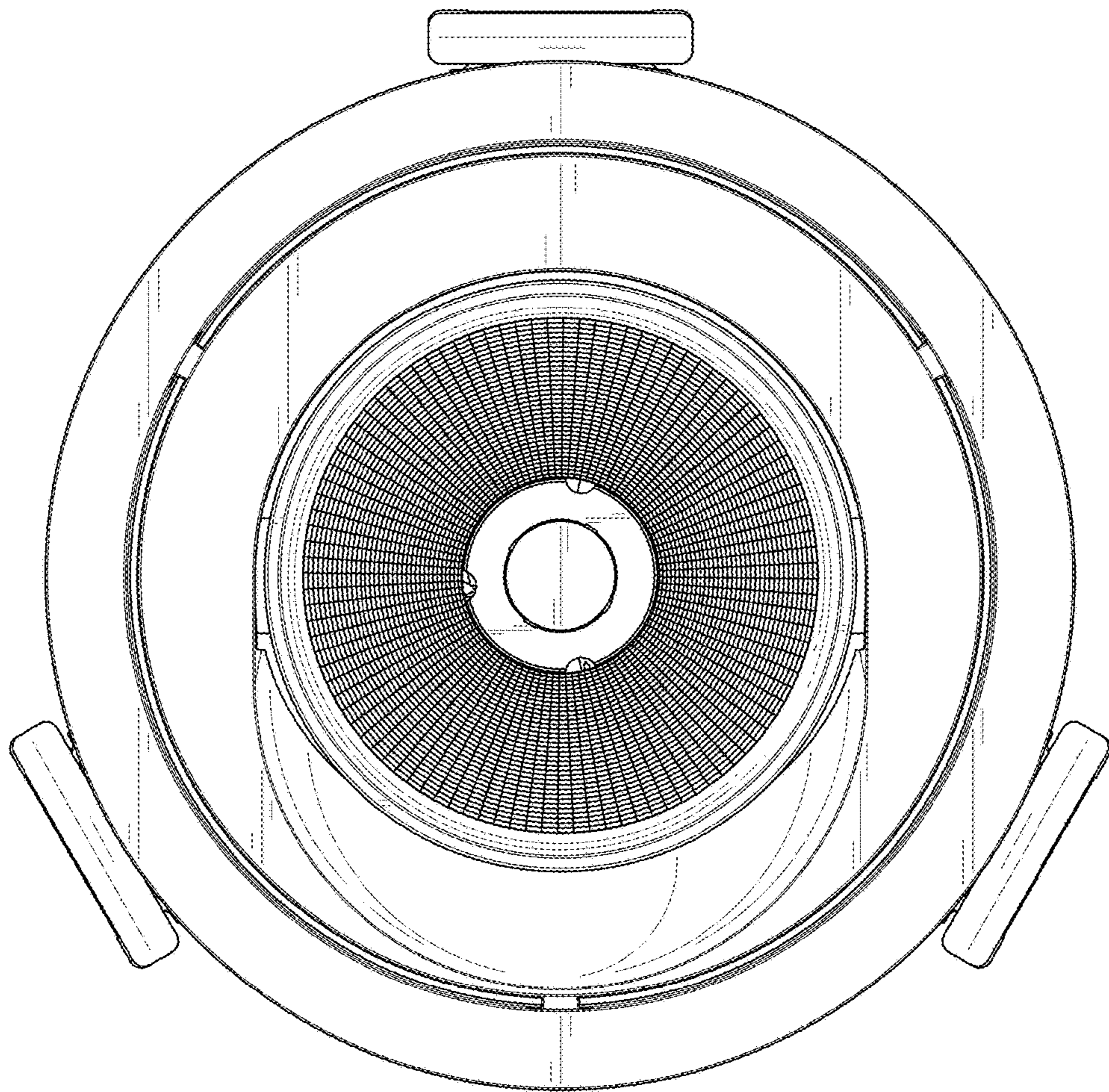


FIG. 3

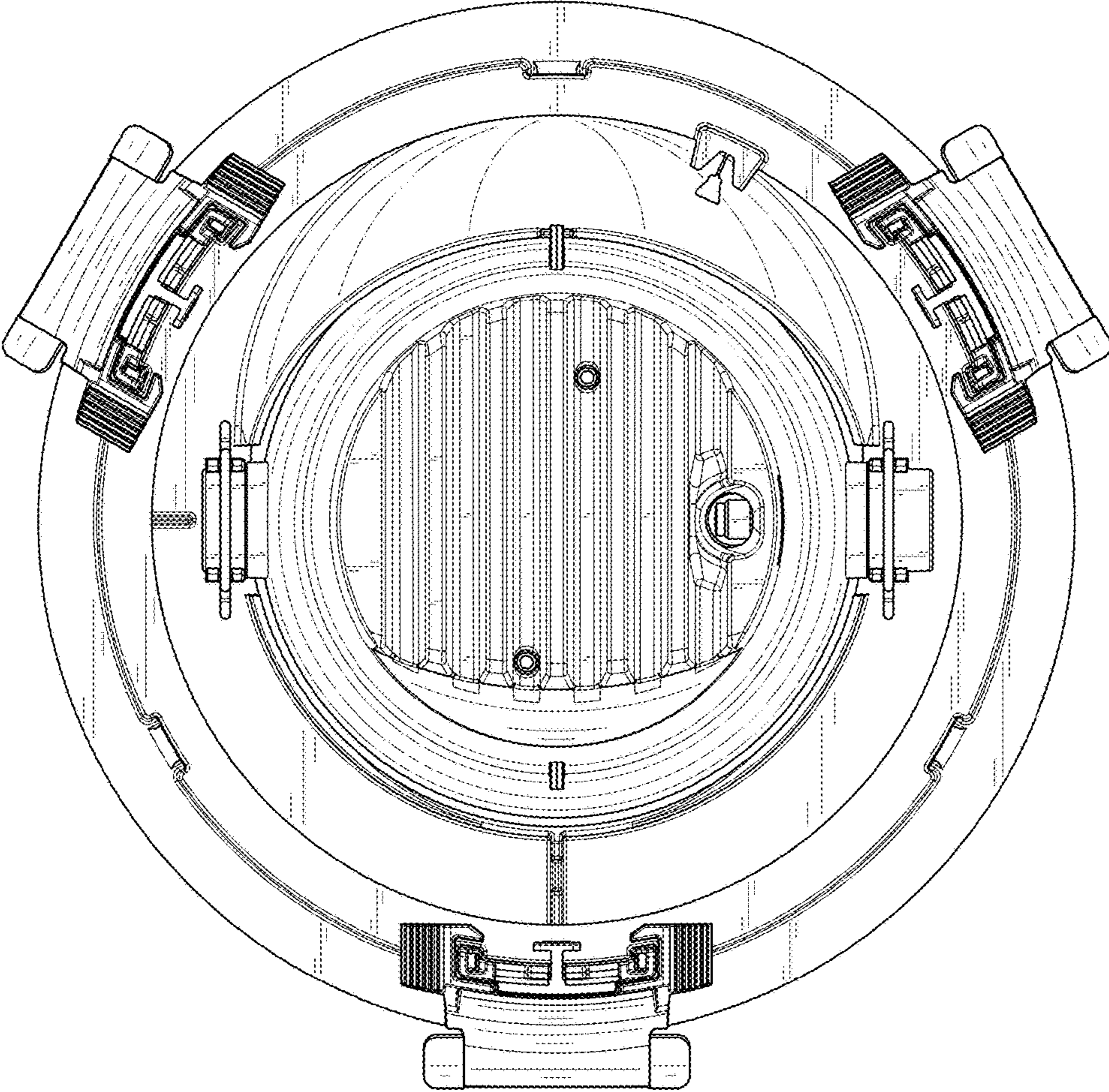


FIG. 4

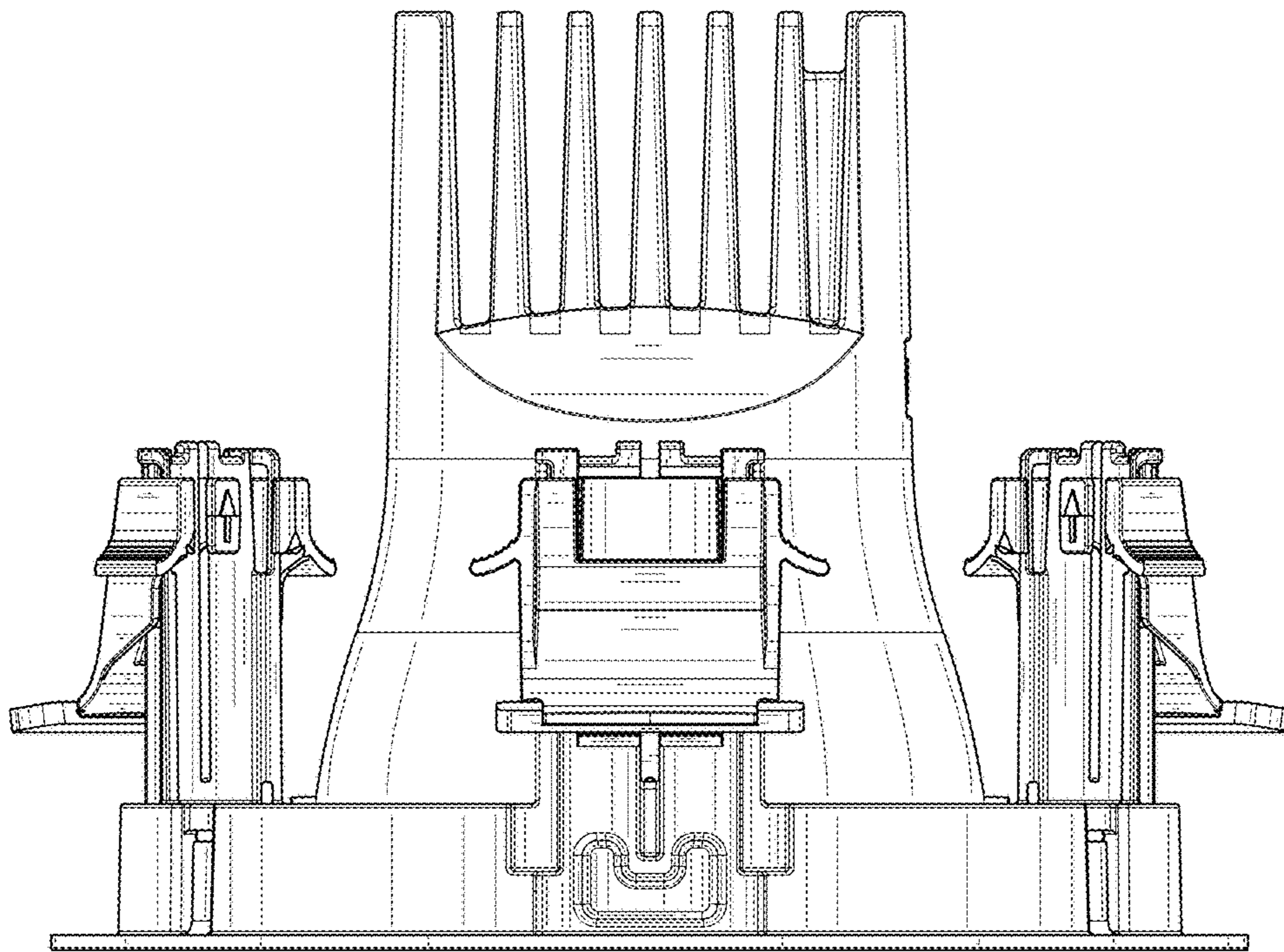


FIG. 5

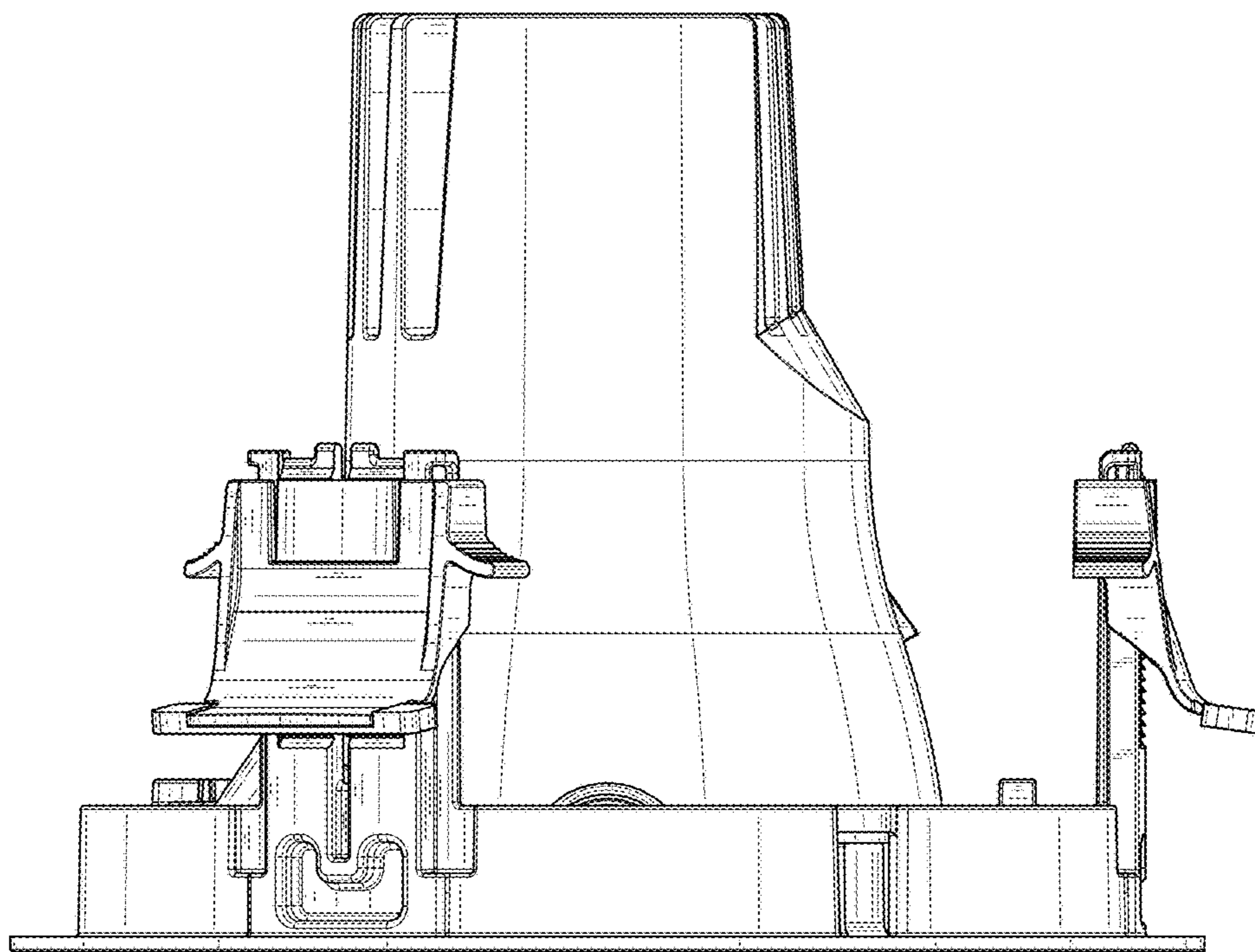


FIG. 6

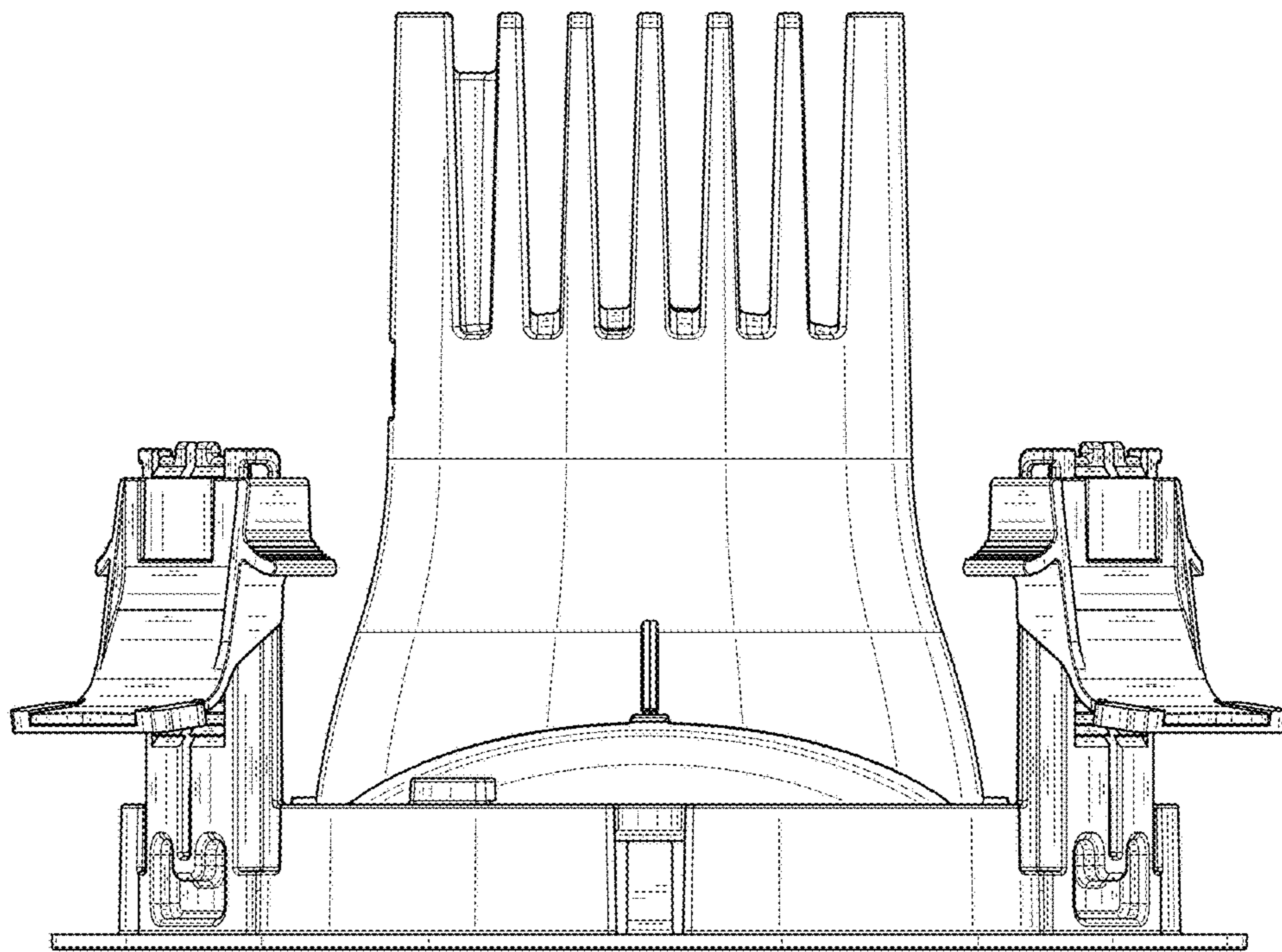


FIG. 7