



US00D843628S

(12) **United States Design Patent**  
**Compton et al.**

(10) **Patent No.:** **US D843,628 S**  
(45) **Date of Patent:** **\*\* Mar. 19, 2019**

(54) **LIGHTING FIXTURE**

(71) Applicant: **U.S. Pole Company, Inc.**, Palmdale, CA (US)

(72) Inventors: **Wayne Compton**, Prescott, AZ (US);  
**Tim Carraher**, Palmdale, CA (US)

(73) Assignee: **U.S. Pole Company, Inc.**, Palmdale, CA (US)

(\*\*) Term: **15 Years**

(21) Appl. No.: **29/605,438**

(22) Filed: **May 25, 2017**

(51) **LOC (11) Cl.** ..... **26-05**

(52) **U.S. Cl.**  
USPC ..... **D26/71**

(58) **Field of Classification Search**  
USPC ..... D10/111-115; D26/67-85, 92; D29/103  
CPC .. F21S 8/033; F21S 8/036; F21S 8/043; F21S 8/081; F21S 8/085; F21S 8/086; F21S 8/088; F21V 29/74; F21V 29/75; F21V 29/83; F21V 29/507  
See application file for complete search history.

(56) **References Cited**

**U.S. PATENT DOCUMENTS**

D209,081 S	10/1967	Netland
D301,756 S	6/1989	Hanson
D308,261 S	5/1990	Shemitz
D313,482 S	1/1991	Compton
5,918,970 A	7/1999	Brohard et al.
6,060,658 A	5/2000	Yoshida et al.
D500,569 S	1/2005	Butler
D568,521 S	5/2008	Compton
D568,532 S	5/2008	Compton
D599,942 S	9/2009	Zheng
D600,848 S	9/2009	Wung et al.
D601,738 S	10/2009	Schneider
D615,689 S	5/2010	Guercio

D621,988 S	8/2010	Zheng et al.
7,841,755 B1	11/2010	Walker
D634,873 S *	3/2011	Guercio ..... D26/71
D634,878 S	3/2011	Guercio et al.
D636,920 S	4/2011	Boissevain
D652,978 S	1/2012	Boissevain et al.
D660,496 S	5/2012	Akdag et al.
D672,491 S *	12/2012	Shin ..... D26/71
D672,492 S *	12/2012	Butler ..... D26/71
D672,903 S	12/2012	Toney, Jr. et al.
D674,950 S	1/2013	Lueken et al.
D676,589 S	2/2013	Elam

(Continued)

**OTHER PUBLICATIONS**

Valulume Light Fixture (available online May 10, 2016) Retrieved from the internet Feb. 27, 2018, retrieved from URL: [www.youtube.com/watch?v=HXiz1azV\\_kY](http://www.youtube.com/watch?v=HXiz1azV_kY).\*

*Primary Examiner* — Kevin K Rudzinski  
*Assistant Examiner* — Richard Kearney  
(74) *Attorney, Agent, or Firm* — Lewis Roca Rothgerber Christie LLP

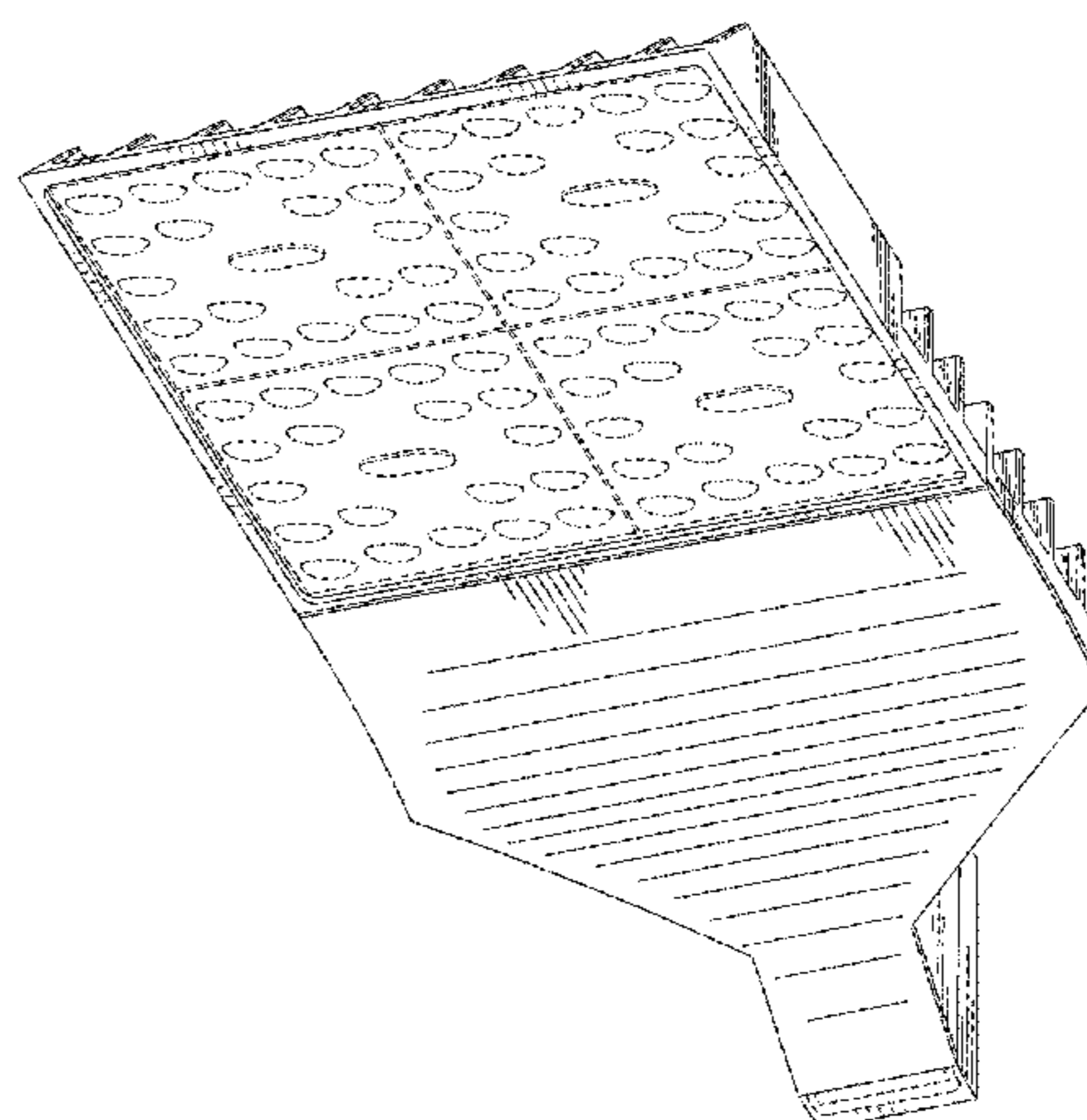
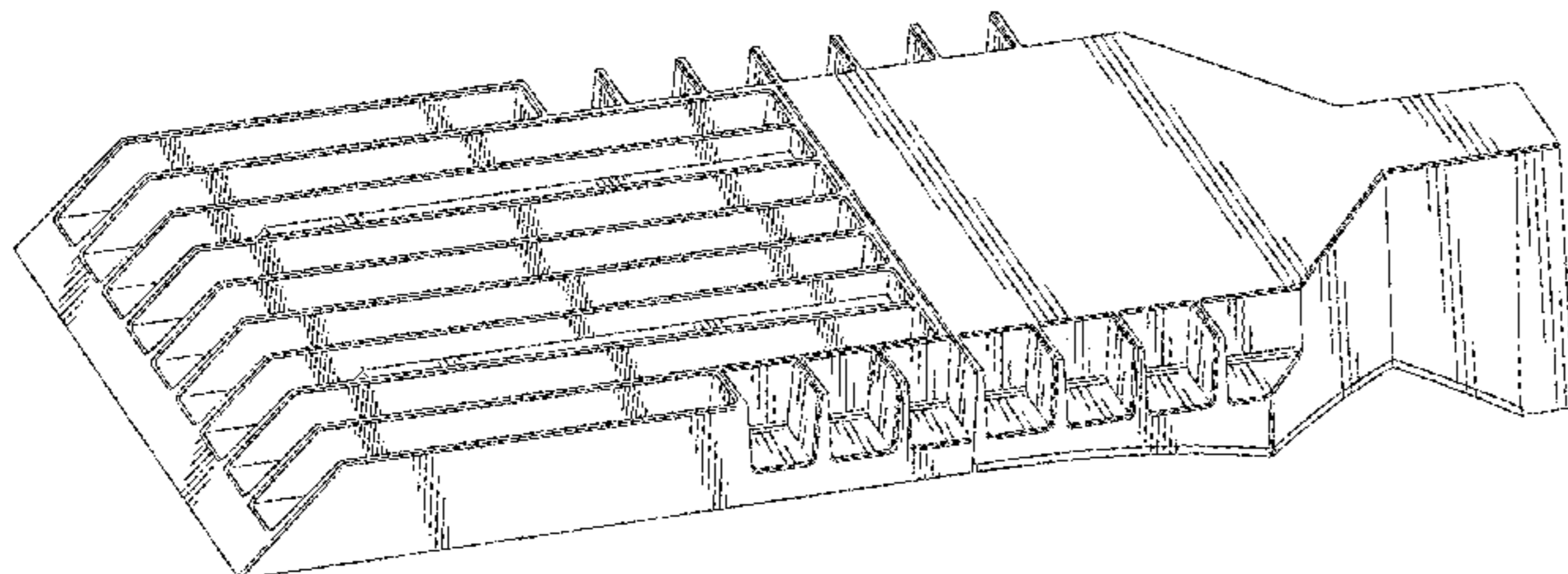
(57) **CLAIM**

The ornamental design for a lighting fixture, as shown and described.

**DESCRIPTION**

FIG. 1 is a top perspective view of a lighting fixture, showing our new design;  
FIG. 2 is a bottom perspective view thereof;  
FIG. 3 is a top view thereof;  
FIG. 4 is a side view thereof;  
FIG. 5 is a bottom view thereof;  
FIG. 6 is a front view thereof; and,  
FIG. 7 is a rear view thereof.  
The broken lines shown in the drawings illustrate portions of the lighting fixture that form no part of the claimed design.

**1 Claim, 4 Drawing Sheets**



(56)

**References Cited**

## U.S. PATENT DOCUMENTS

D677,419	S	3/2013	Sauvage	
D694,935	S	12/2013	Zheng et al.	
8,622,584	B2 *	1/2014	Kinnune .....	F21V 29/004 362/218
D700,730	S	3/2014	Behar et al.	
D726,947	S	4/2015	Boyer et al.	
D742,577	S *	11/2015	Duckworth .....	D26/92
D744,684	S	12/2015	Guercio et al.	
D747,527	S	1/2016	Guercio et al.	
D749,256	S	2/2016	Compton	
D768,904	S	10/2016	Ahrari	
D770,660	S *	11/2016	Yang .....	D26/71
D776,859	S *	1/2017	Duckworth .....	D26/92
D782,720	S	3/2017	Moghal et al.	
D796,719	S	9/2017	Zhu	
9,810,421	B2 *	11/2017	Kinnune .....	F21V 29/83
D810,985	S *	2/2018	McCracken, Jr. ....	D26/71
2009/0244881	A1	10/2009	Butler	
2010/0238671	A1	9/2010	Catone et al.	
2011/0013397	A1	1/2011	Catone et al.	
2011/0084629	A1	4/2011	Pini	
2013/0343045	A1	12/2013	Lodhie et al.	
2014/0254156	A1	9/2014	Hsu et al.	
2015/0023020	A1	1/2015	Gattari	
2015/0292723	A1	10/2015	Yu et al.	
2015/0308667	A1	10/2015	Corkill	
2015/0345772	A1	12/2015	Duckworth et al.	
2016/0186980	A1 *	6/2016	Ladewig .....	F21S 2/00 362/234
2017/0299131	A1	10/2017	Wassel	
2017/0307149	A1	10/2017	Clark et al.	

\* cited by examiner



FIG. 1

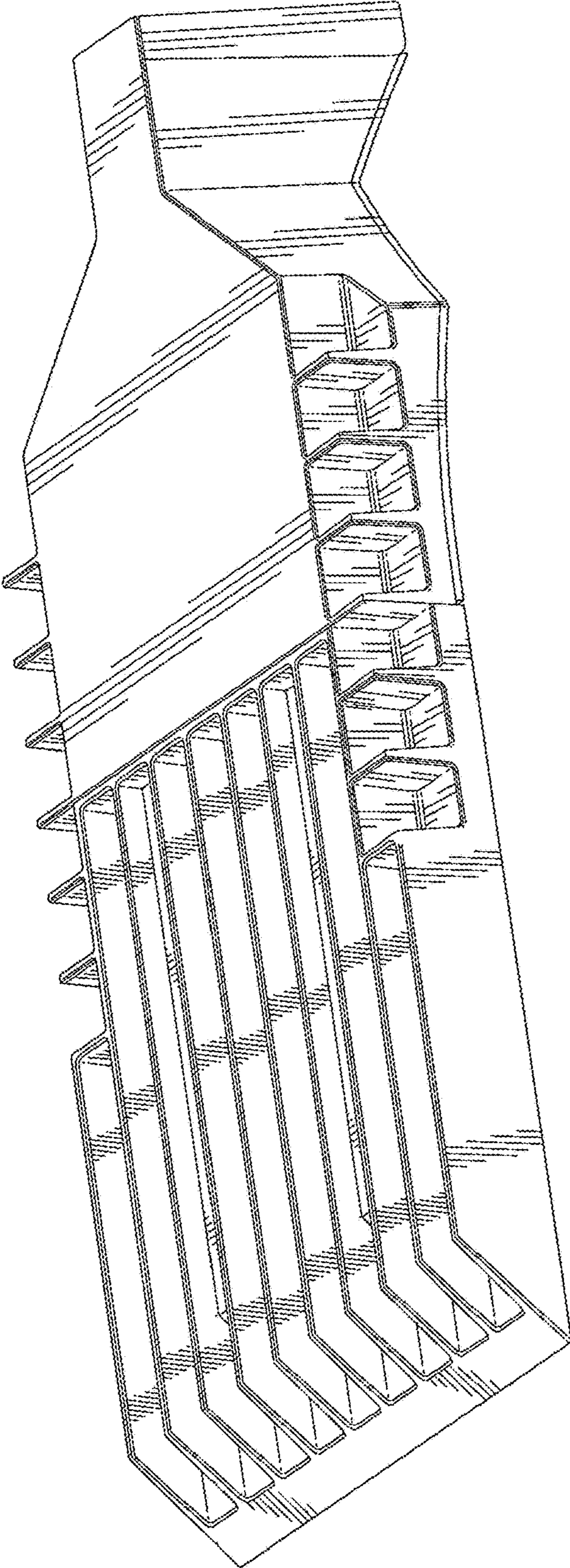
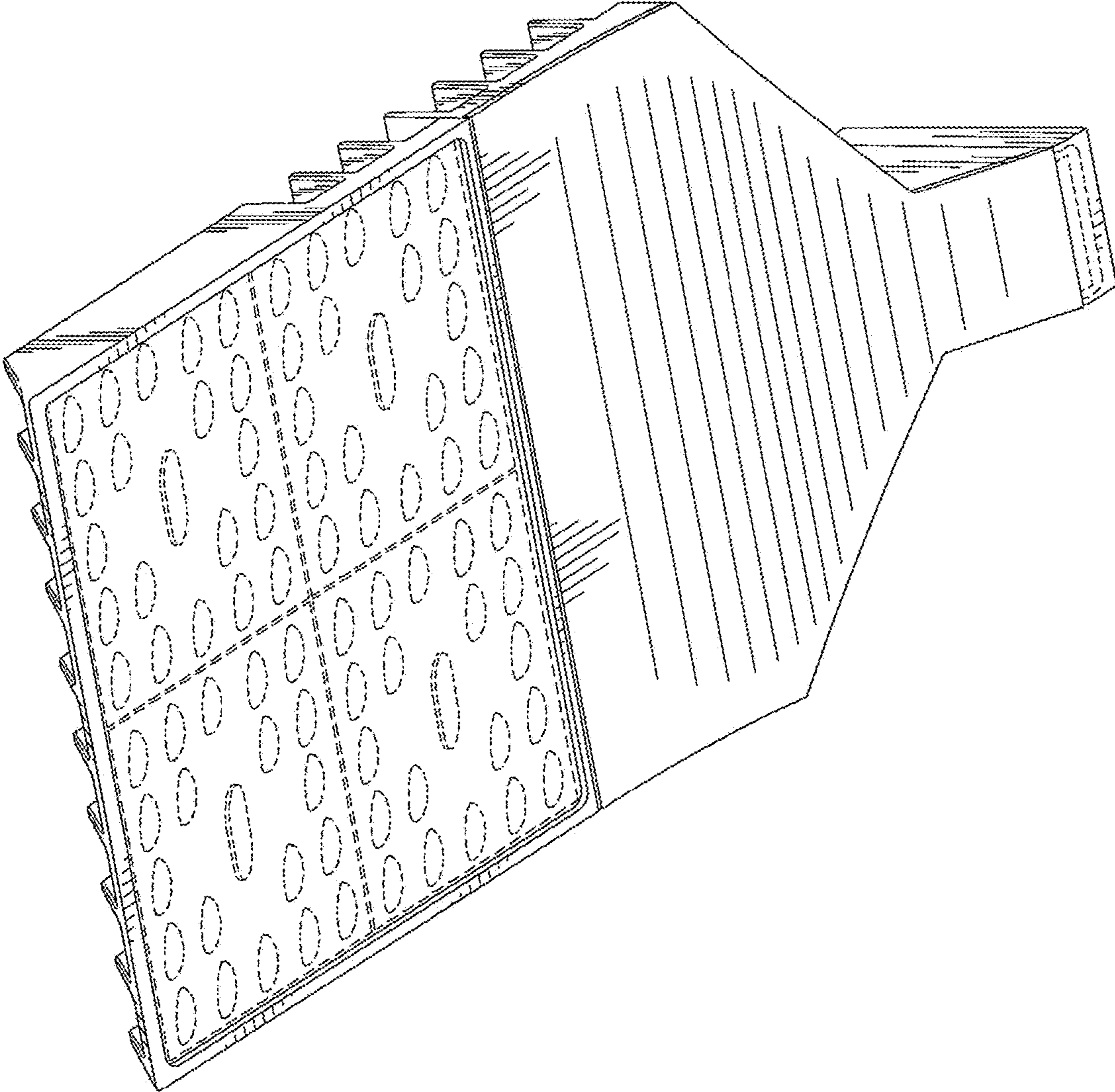


FIG. 2





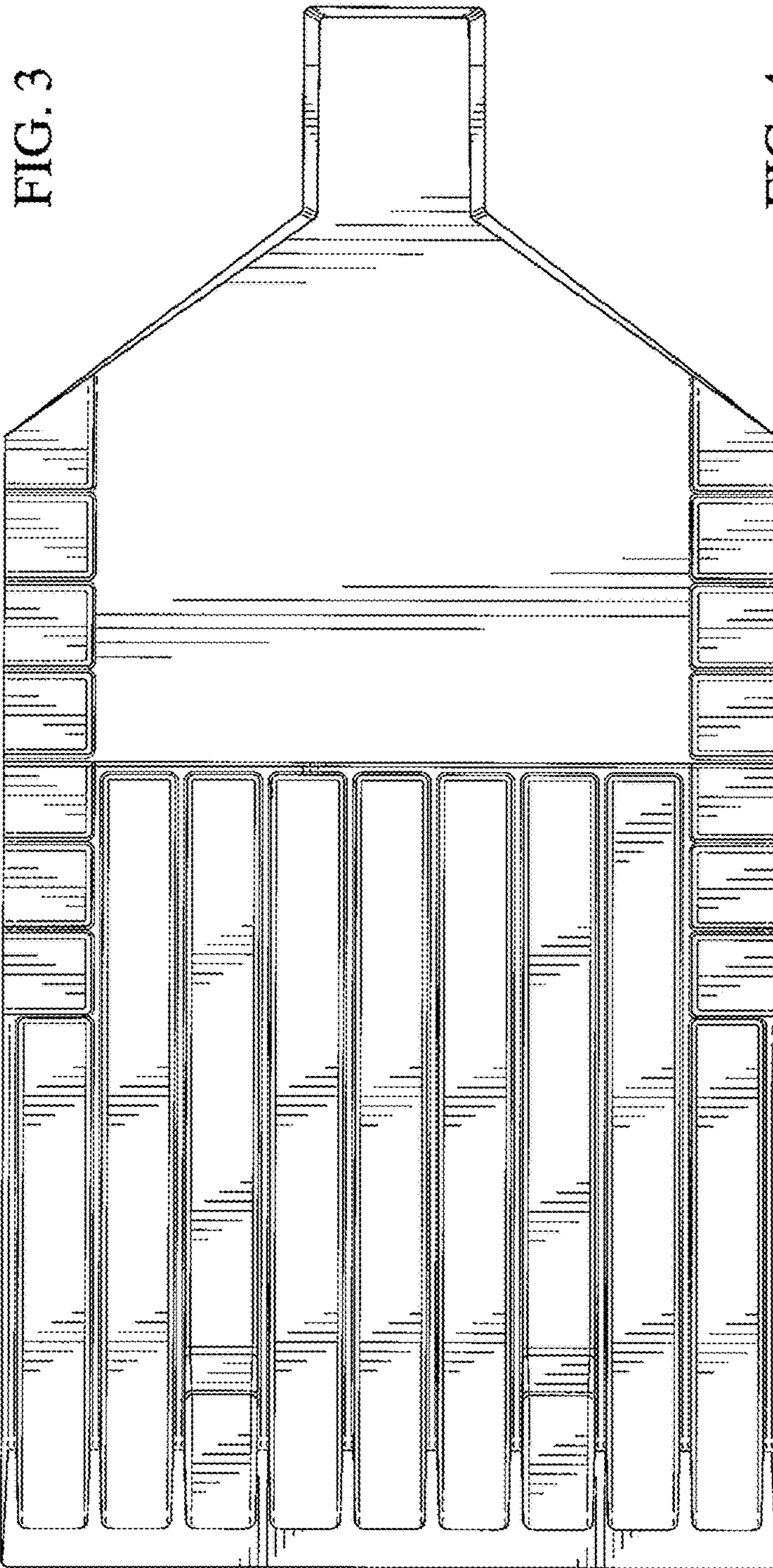


FIG. 4

