



US00D843626S

(12) **United States Design Patent**
Green et al.

(10) **Patent No.:** **US D843,626 S**
(45) **Date of Patent:** **** Mar. 19, 2019**

(54) **WORK LIGHT**

(71) Applicant: **Home Depot Product Authority, LLC**,
Atlanta, GA (US)

(72) Inventors: **Adam Green**, Marietta, GA (US);
Bernard Scott, Lawrenceville, GA (US)

(73) Assignee: **Home Depot Product Authority, LLC**,
Atlanta, GA (US)

(**) Term: **15 Years**

(21) Appl. No.: **29/618,676**

(22) Filed: **Sep. 22, 2017**

(51) **LOC (11) Cl.** **26-03**

(52) **U.S. Cl.**
USPC **D26/65**

(58) **Field of Classification Search**
USPC D26/1, 24, 61, 63, 65, 85, 92
CPC F21V 21/14; F21V 15/01; F21V 14/02;
F21V 21/30; F21V 21/00; F21V 14/00;
F21S 8/00; F21S 8/003; F21S 8/043;
F21Y 2105/001
See application file for complete search history.

(56) **References Cited**

U.S. PATENT DOCUMENTS

D436,442 S *	1/2001	Mogil	D3/283
D593,236 S *	5/2009	Ng	D26/37
D679,845 S *	4/2013	Huang	D26/37
D710,528 S	8/2014	Wardenburg		
9,097,405 B2	8/2015	Saderej		
D747,541 S	1/2016	Dietel		
D770,675 S	11/2016	Dietel		
D796,718 S *	9/2017	Zhou	D26/63
D802,829 S	11/2017	Reynolds		
D804,710 S	12/2017	Stanley		

* cited by examiner

Primary Examiner — Brian N. Vinson

(74) *Attorney, Agent, or Firm* — Greenberg Traurig, LLP

(57) **CLAIM**

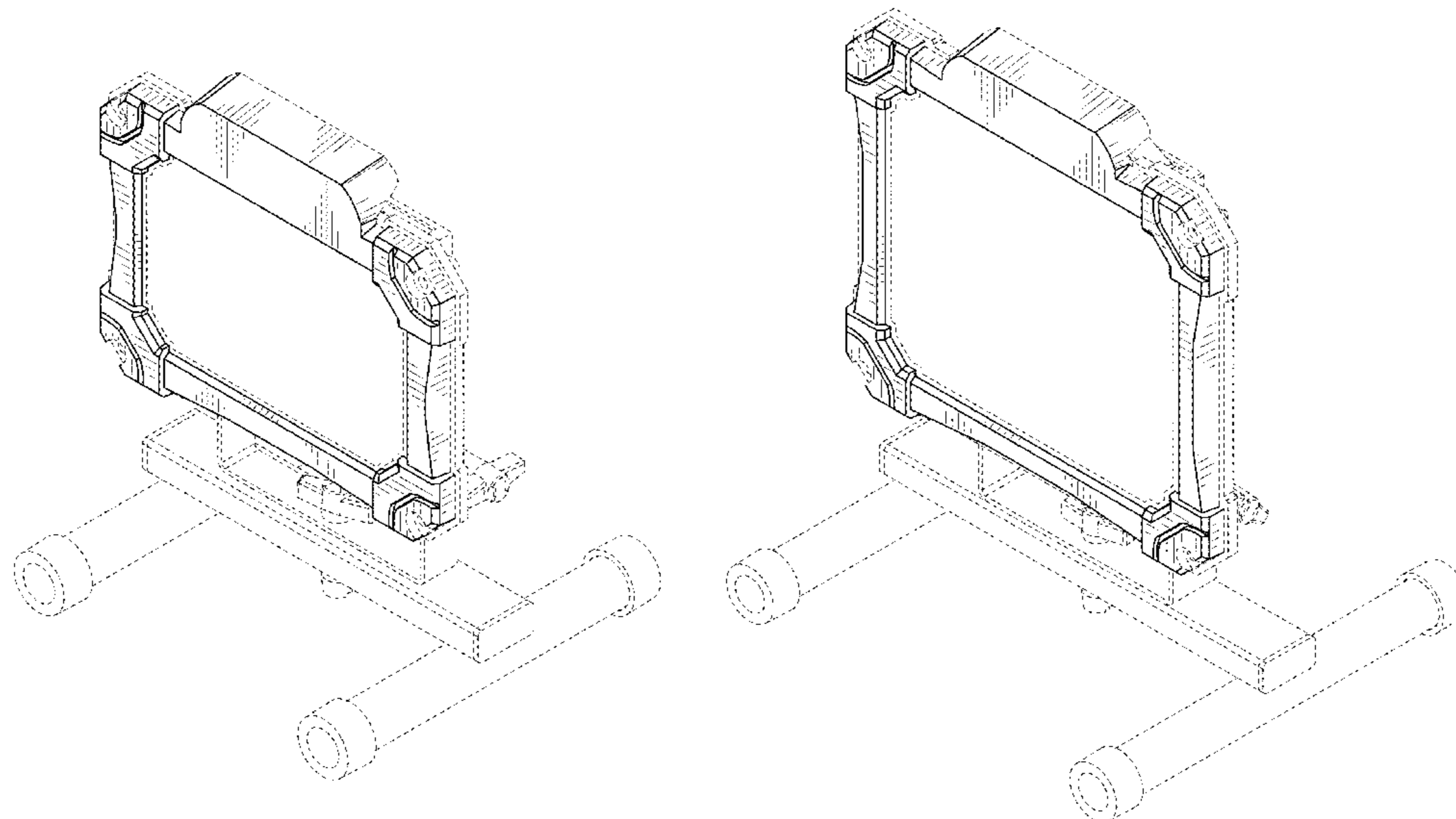
We claim the ornamental design for a work light, as shown and described.

DESCRIPTION

FIG. 1 is a front perspective view of a first embodiment of our work light;
 FIG. 2 is a front view thereof;
 FIG. 3 is a left view thereof;
 FIG. 4 is a right side view thereof;
 FIG. 5 is a top side view thereof;
 FIG. 6 is a bottom view thereof;
 FIG. 7 is a rear perspective view thereof;
 FIG. 8 is a front perspective view of a second embodiment of our work light;
 FIG. 9 is a front view thereof;
 FIG. 10 is a left view thereof;
 FIG. 11 is a right side view thereof;
 FIG. 12 is a top side view thereof;
 FIG. 13 is a bottom view thereof;
 FIG. 14 is a rear perspective view thereof;
 FIG. 15 is a front perspective view of a third embodiment of our work light;
 FIG. 16 is a front view thereof;
 FIG. 17 is a left view thereof;
 FIG. 18 is a right side view thereof;
 FIG. 19 is a top side view thereof;
 FIG. 20 is a bottom view thereof; and,
 FIG. 21 is a rear perspective view thereof.

The broken line disclosure in the views represents portions of the work light which form no part of the claimed design. Where a broken line abuts a claimed surface, the broken line is understood to represent an unclaimed boundary between claimed and unclaimed surfaces.

1 Claim, 21 Drawing Sheets



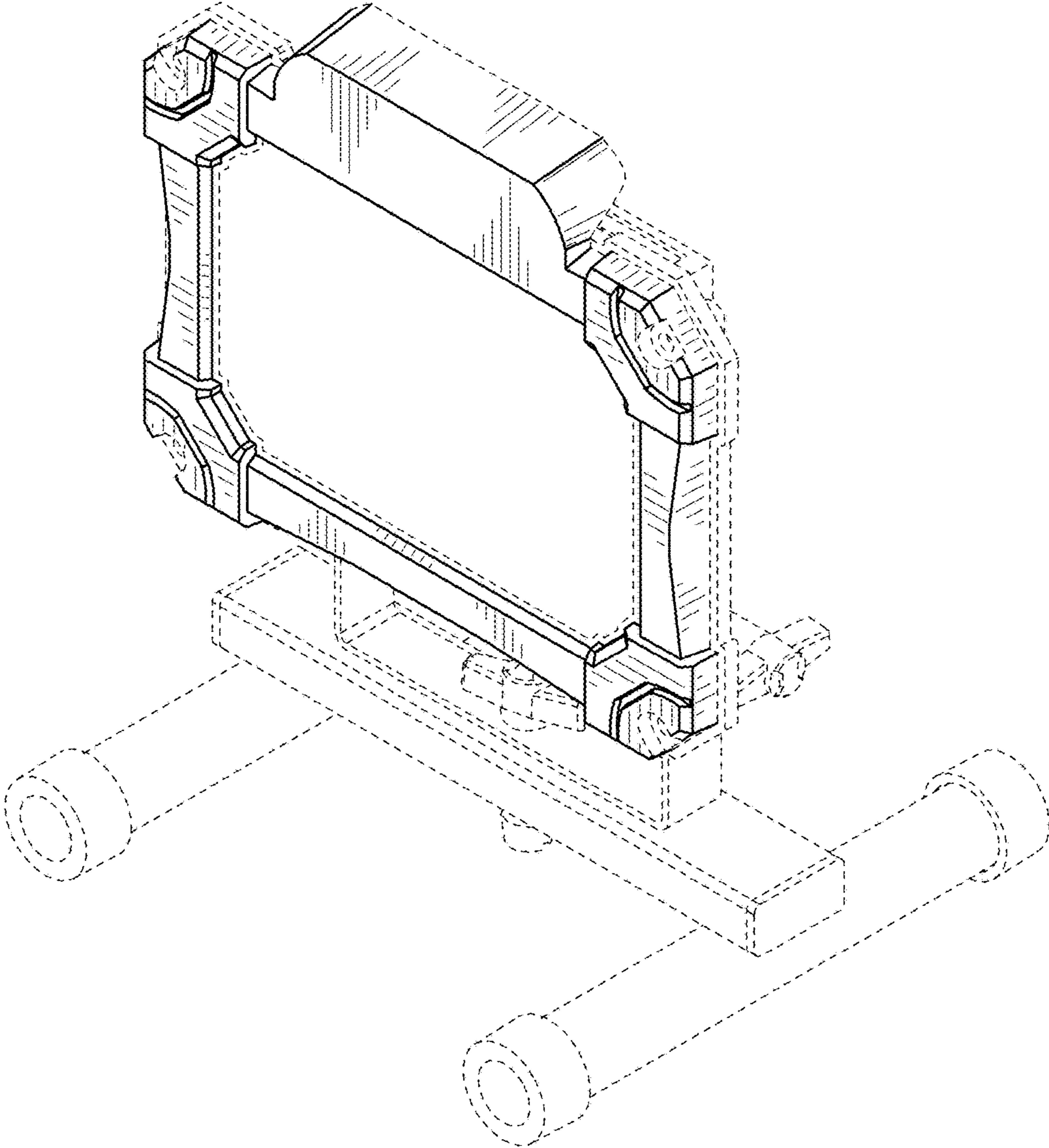


FIG. 1

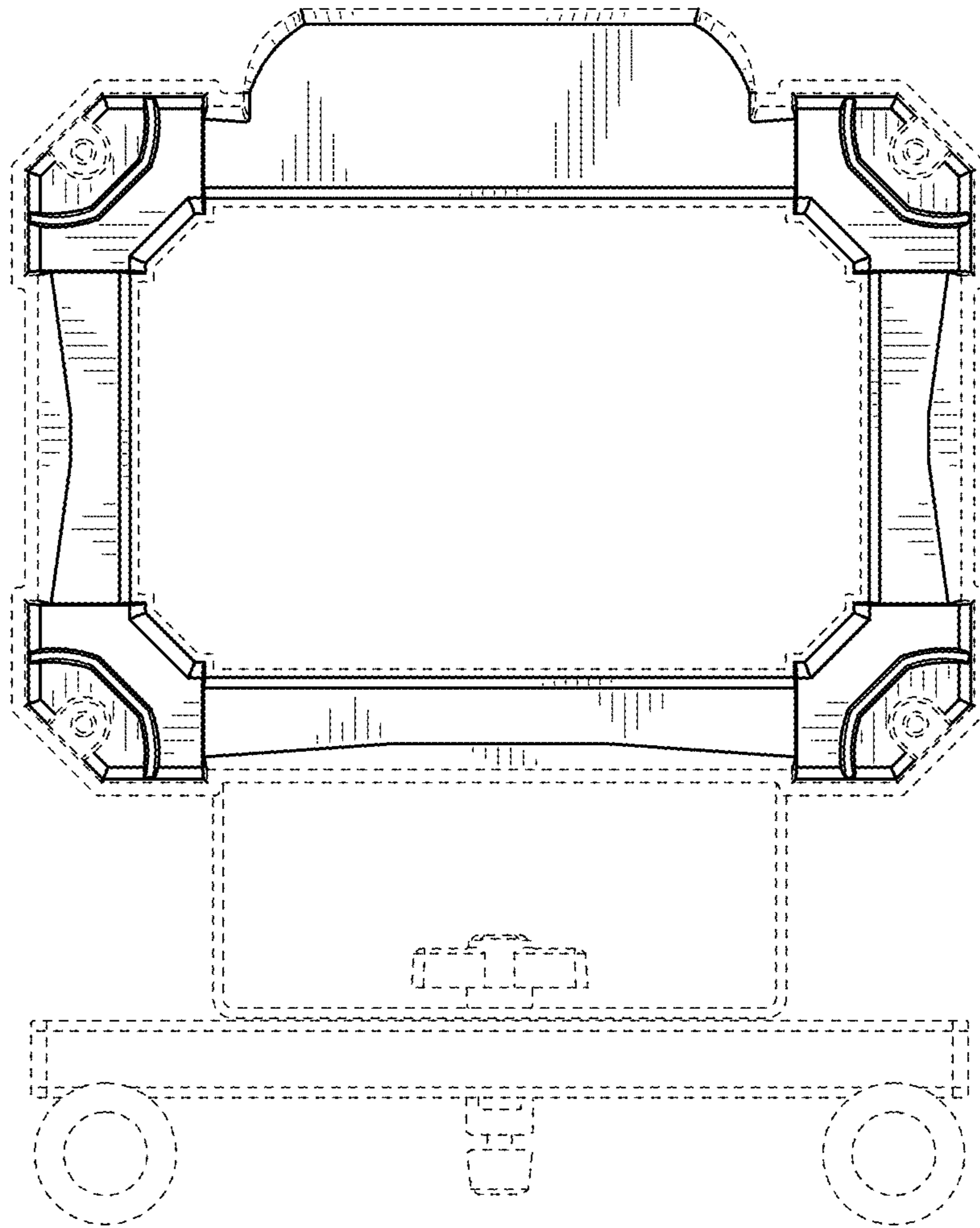


FIG. 2

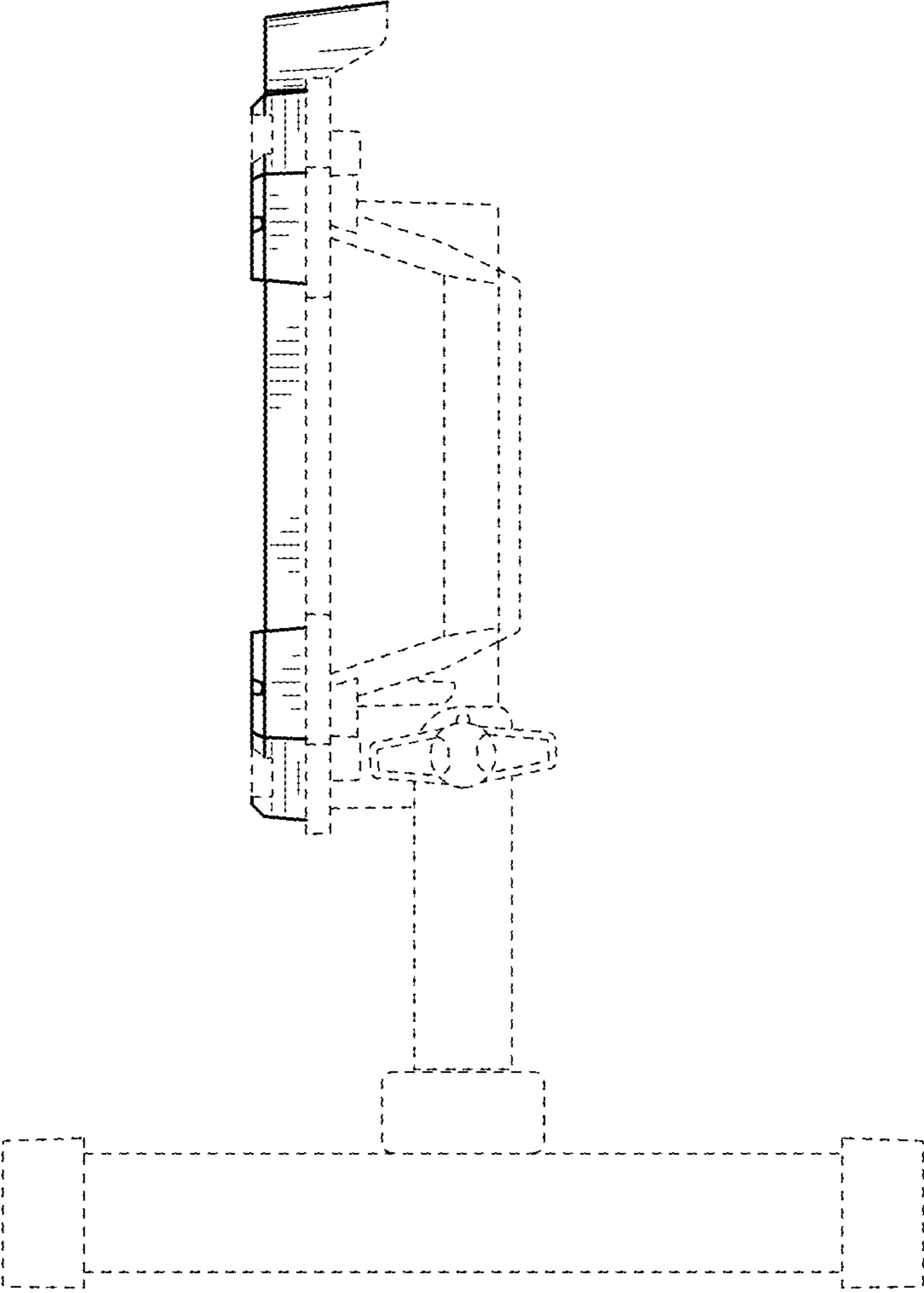


FIG. 3

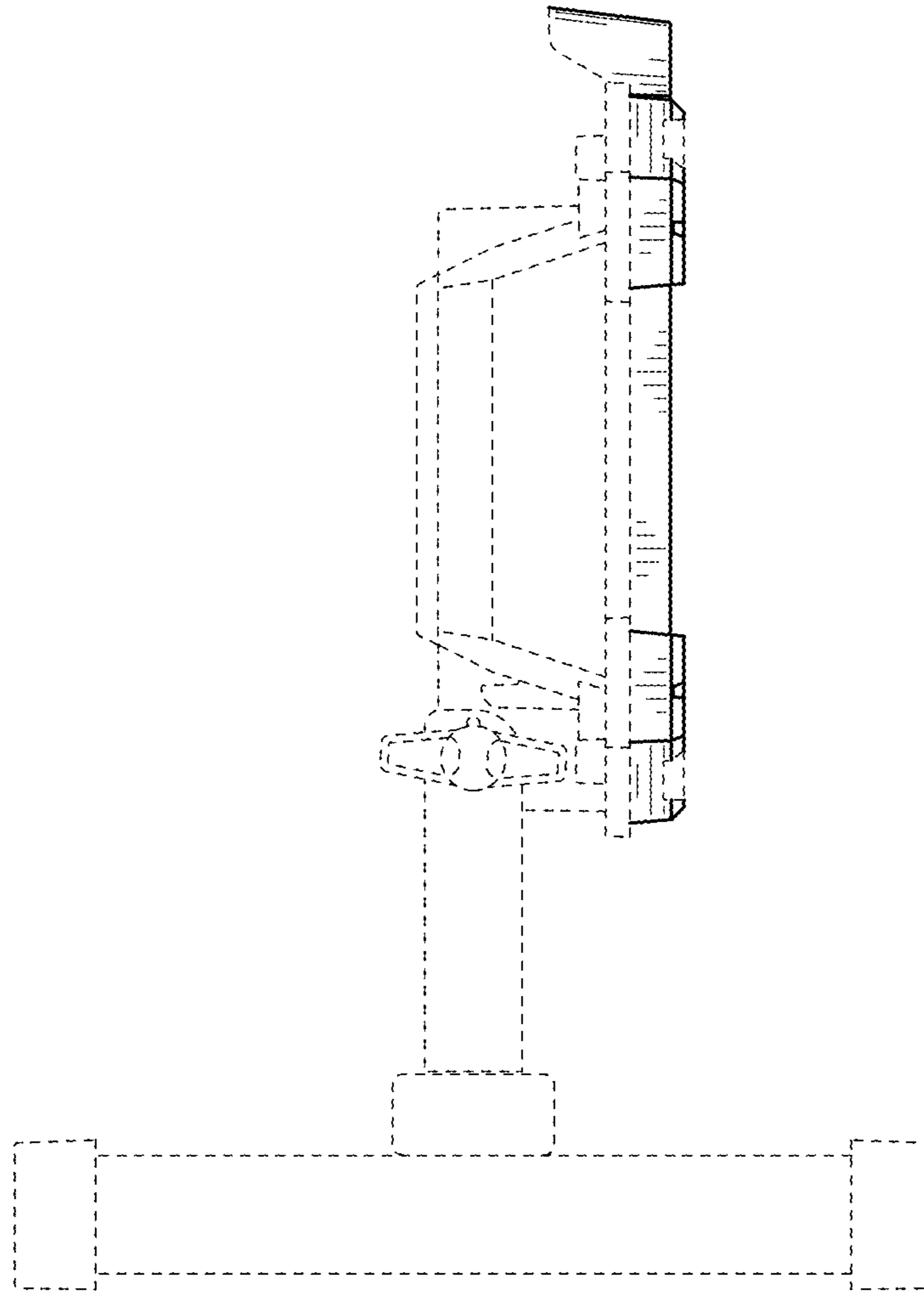


FIG. 4

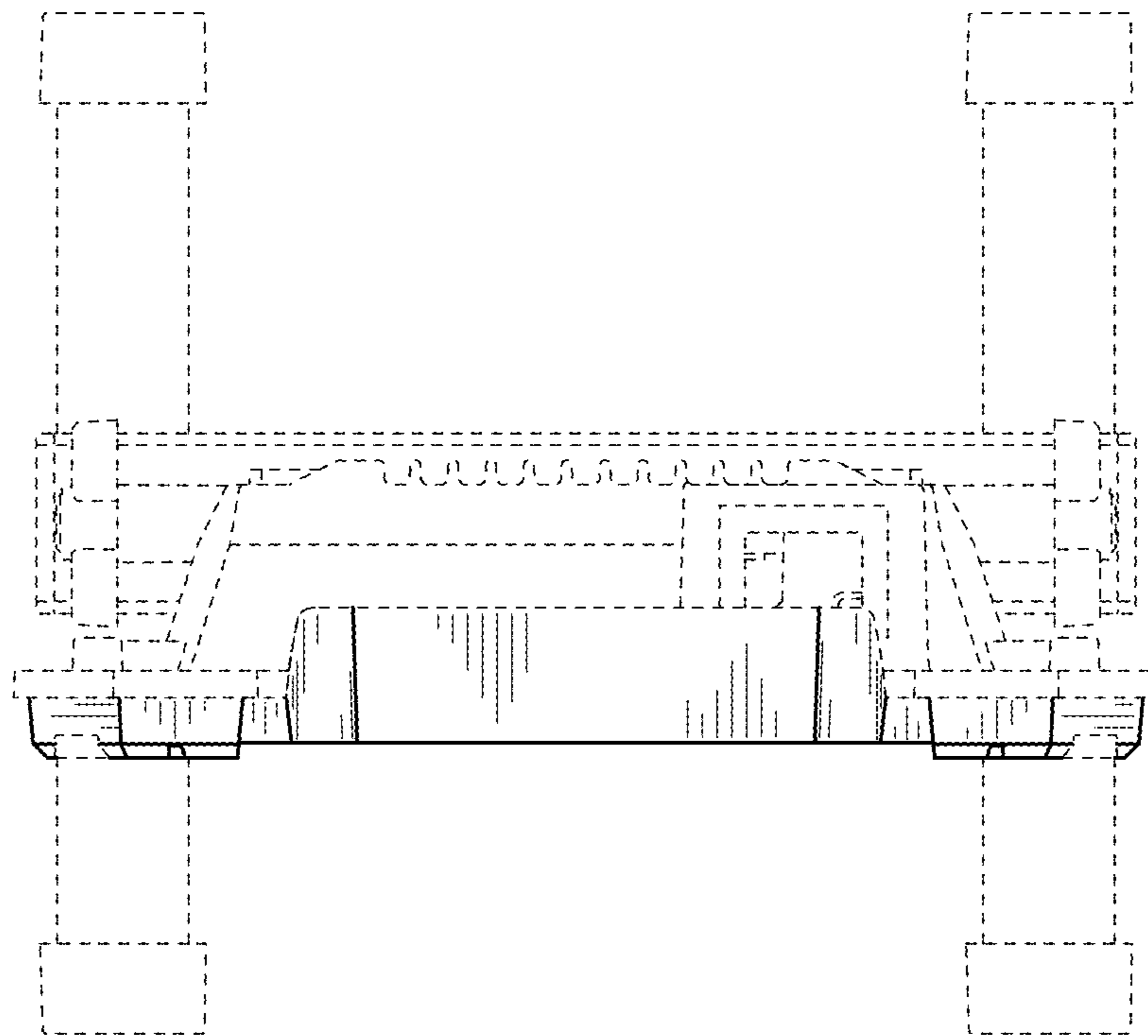


FIG. 5

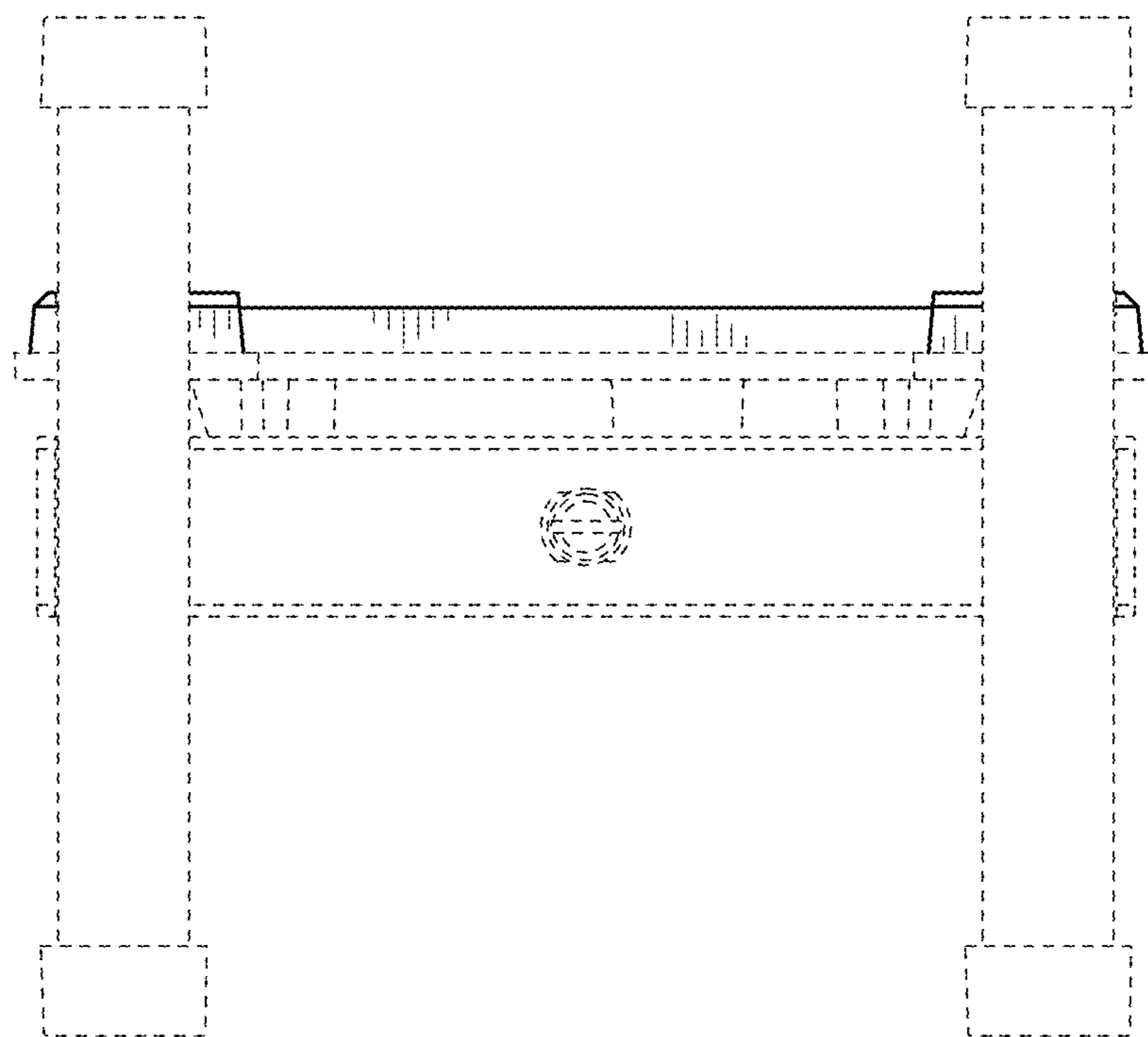


FIG. 6

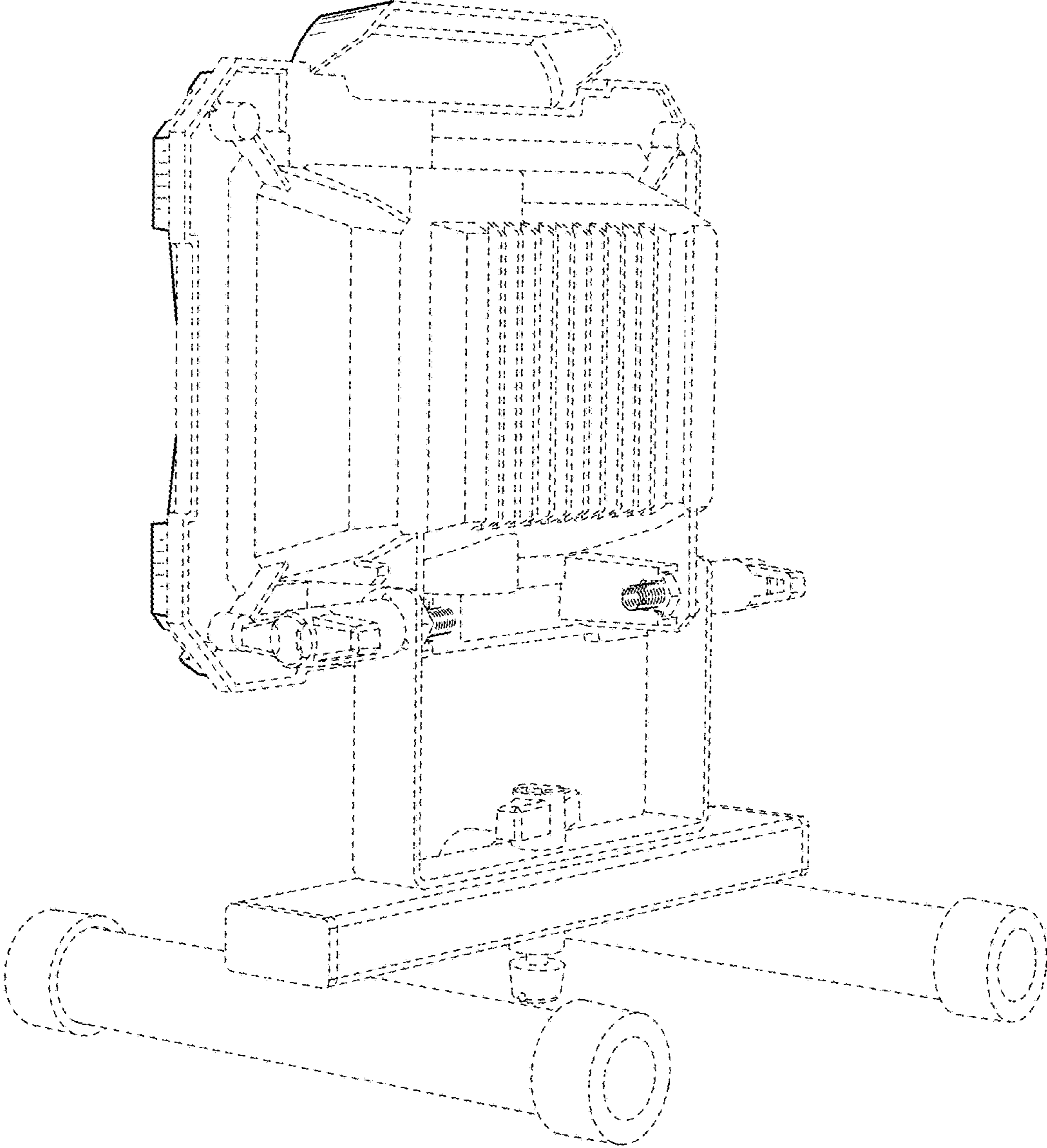


FIG. 7

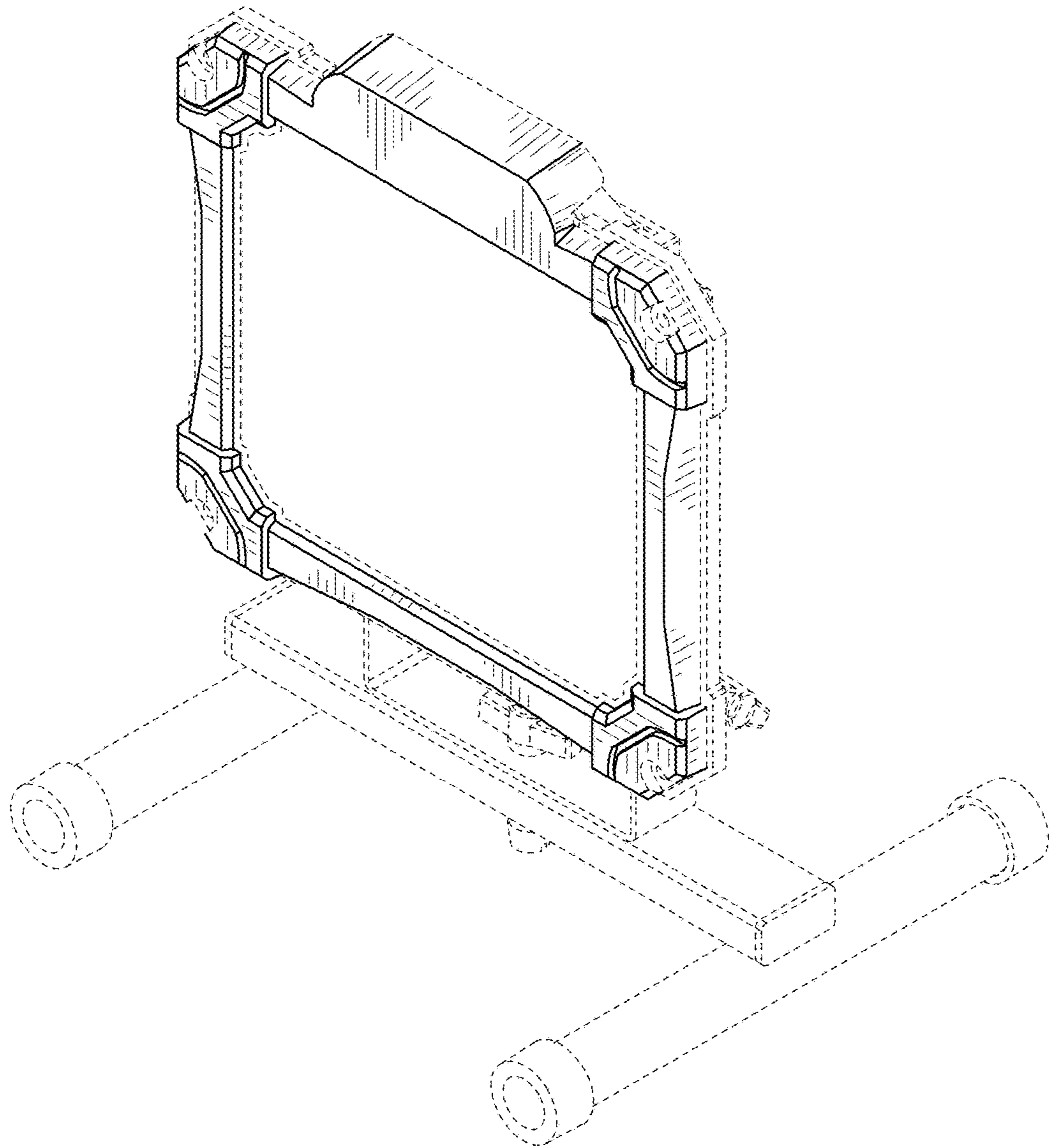


FIG. 8

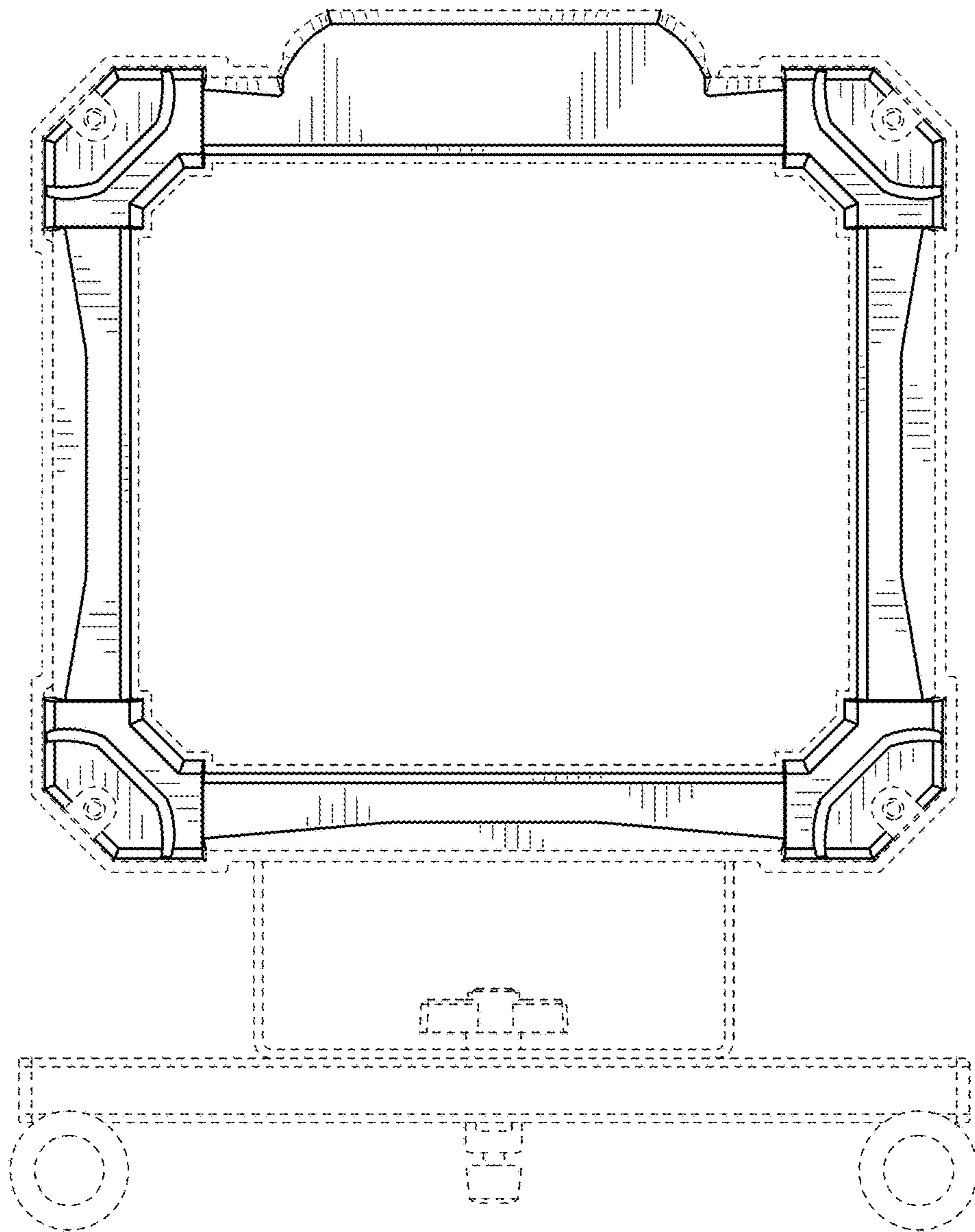


FIG. 9

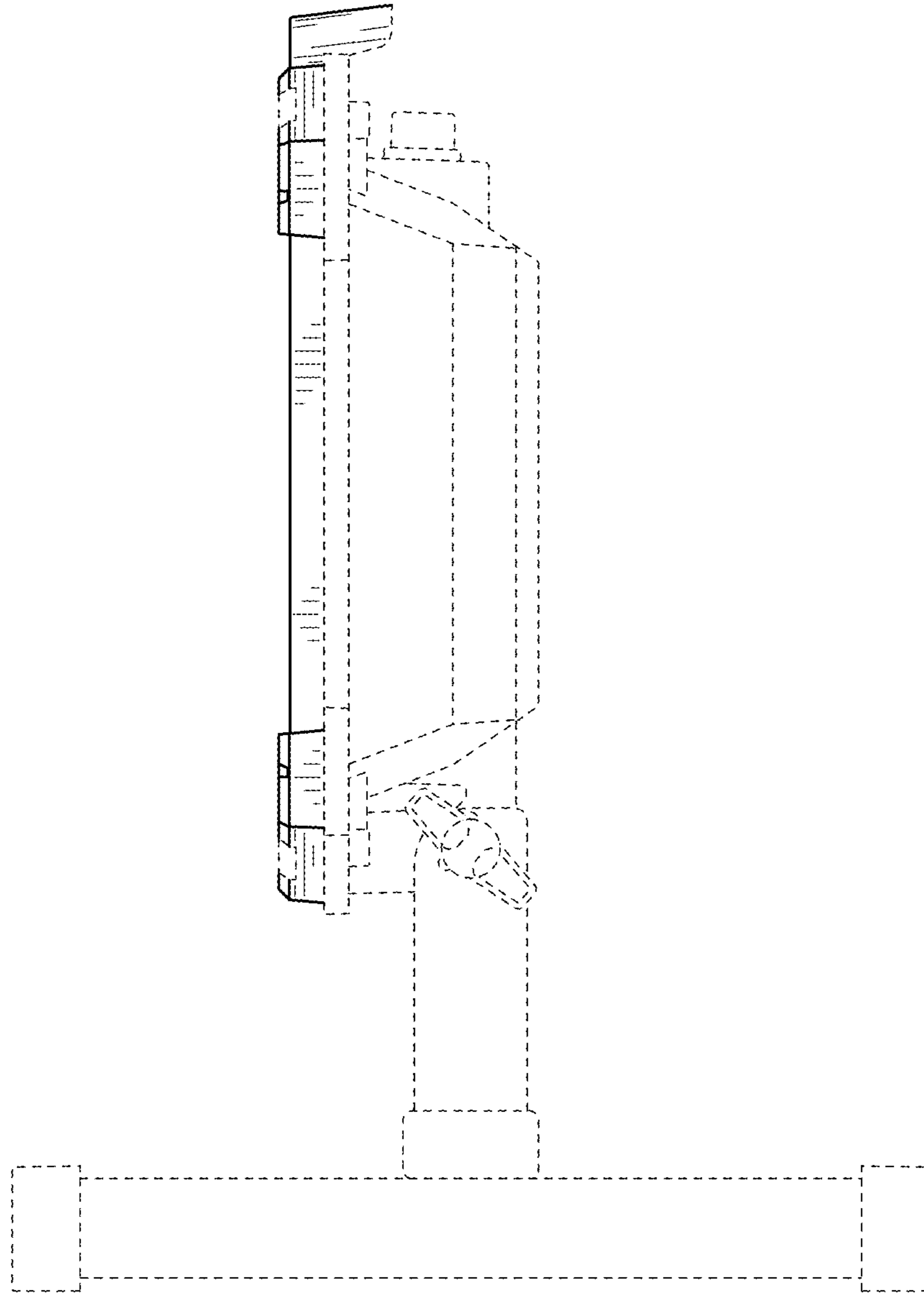


FIG. 10

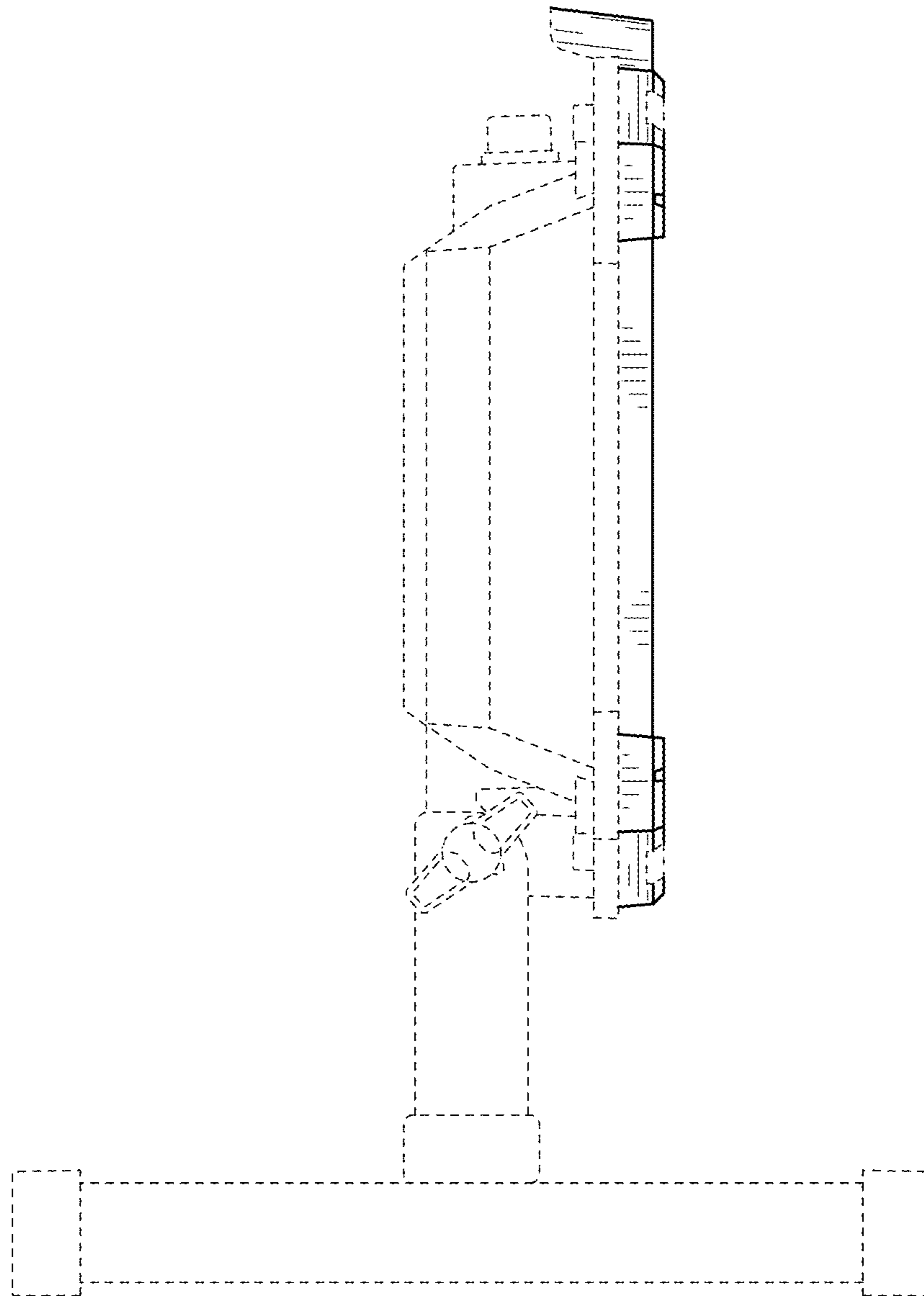


FIG. 11

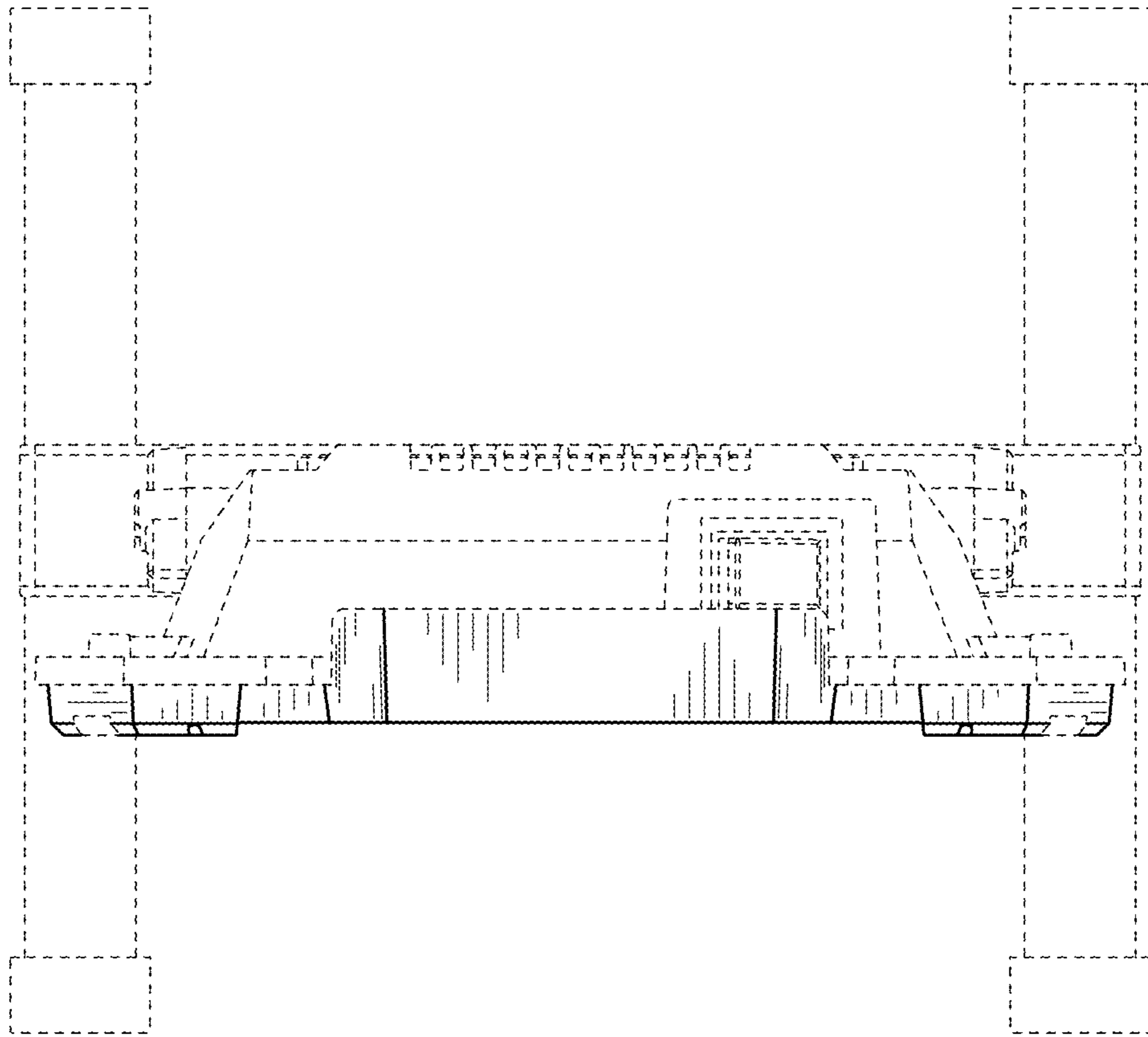


FIG. 12

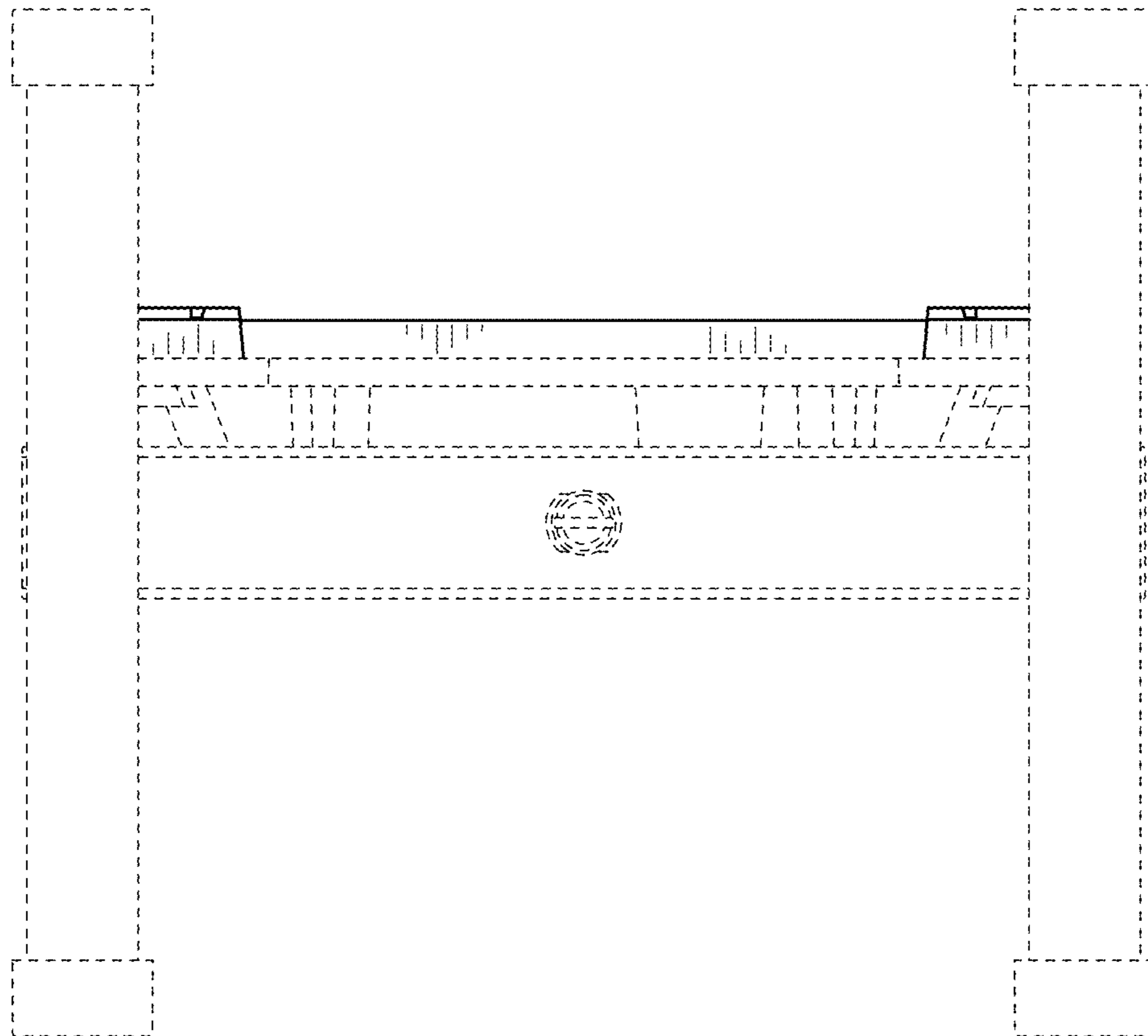


FIG. 13

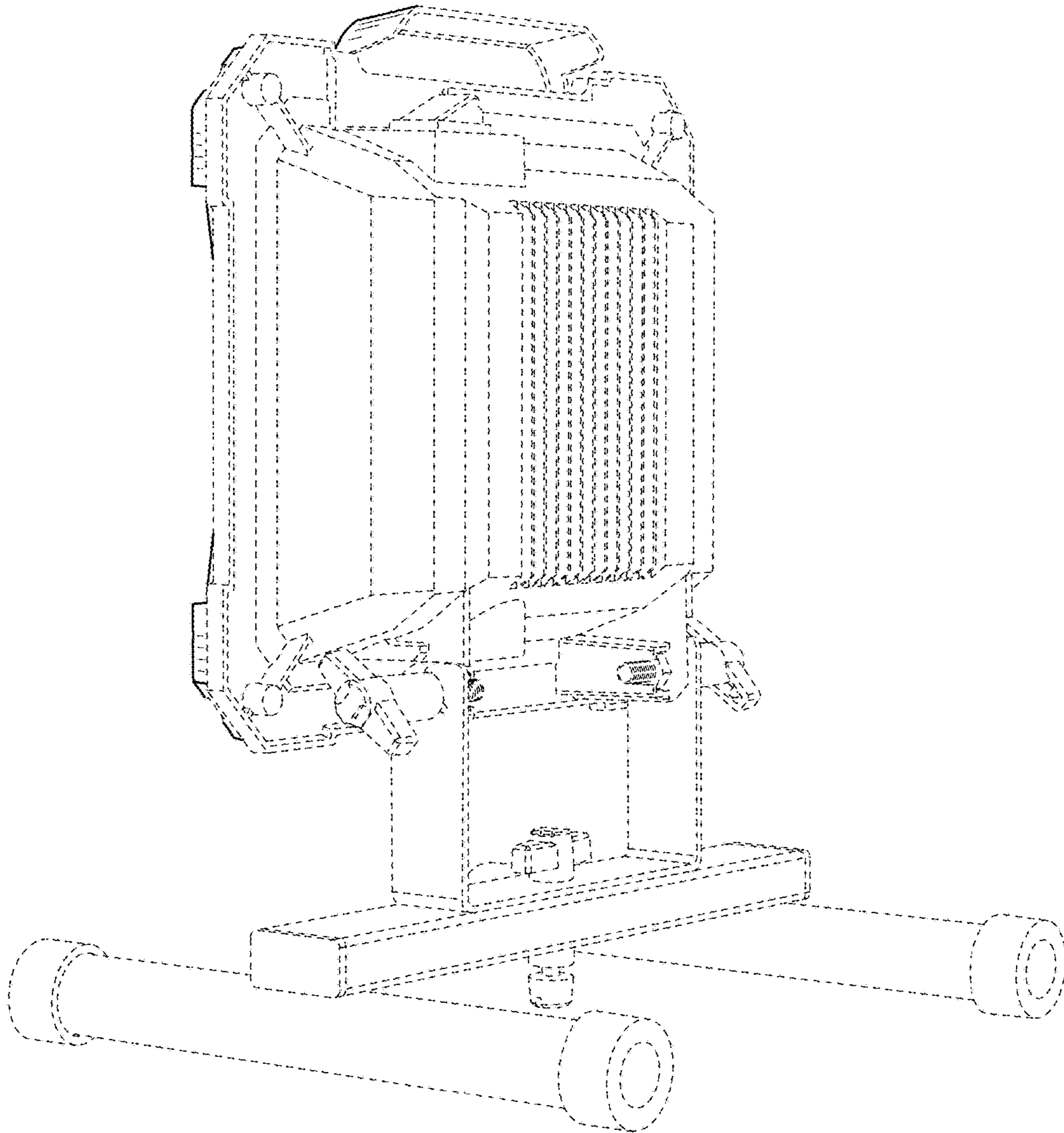


FIG. 14

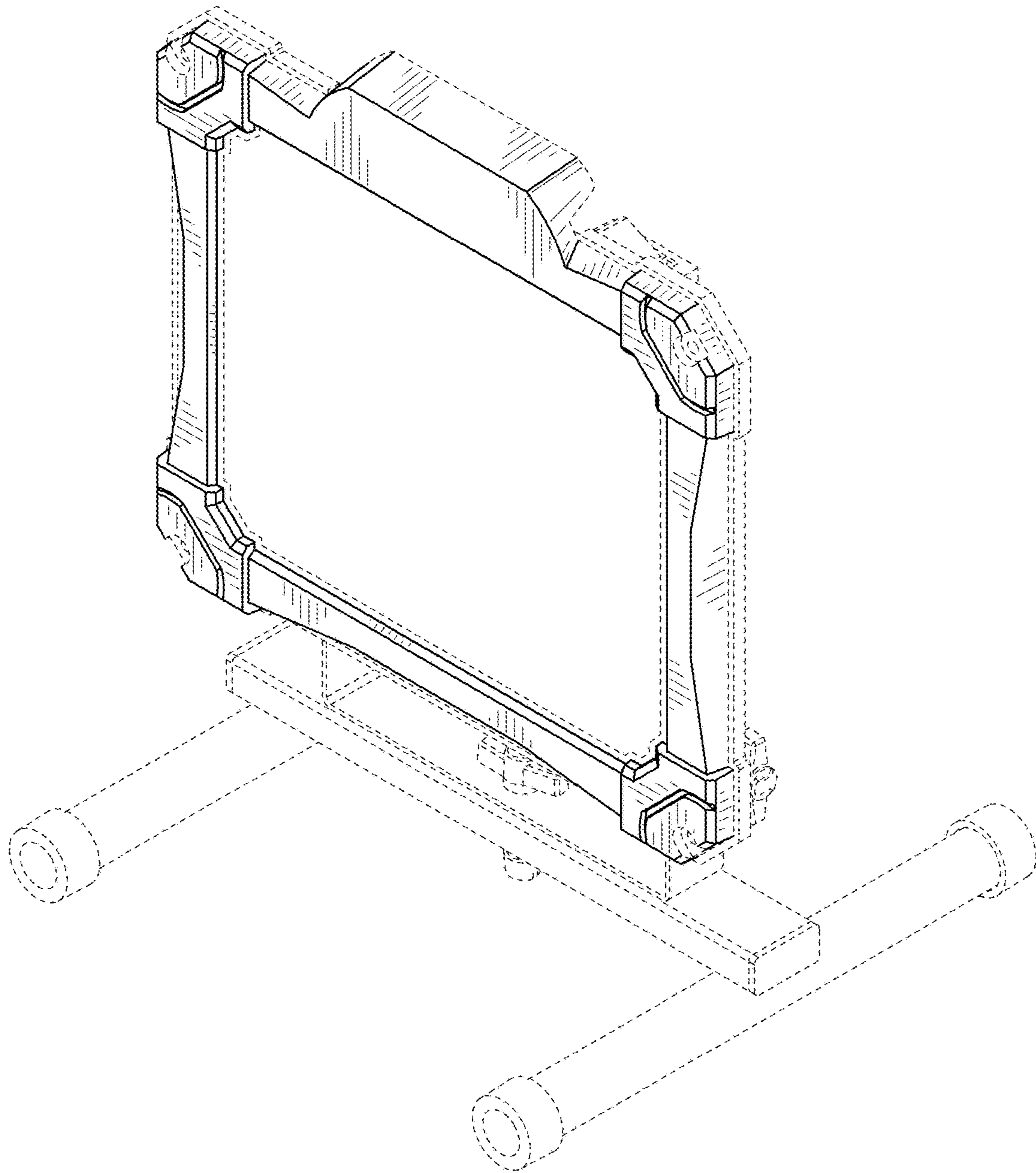


FIG. 15

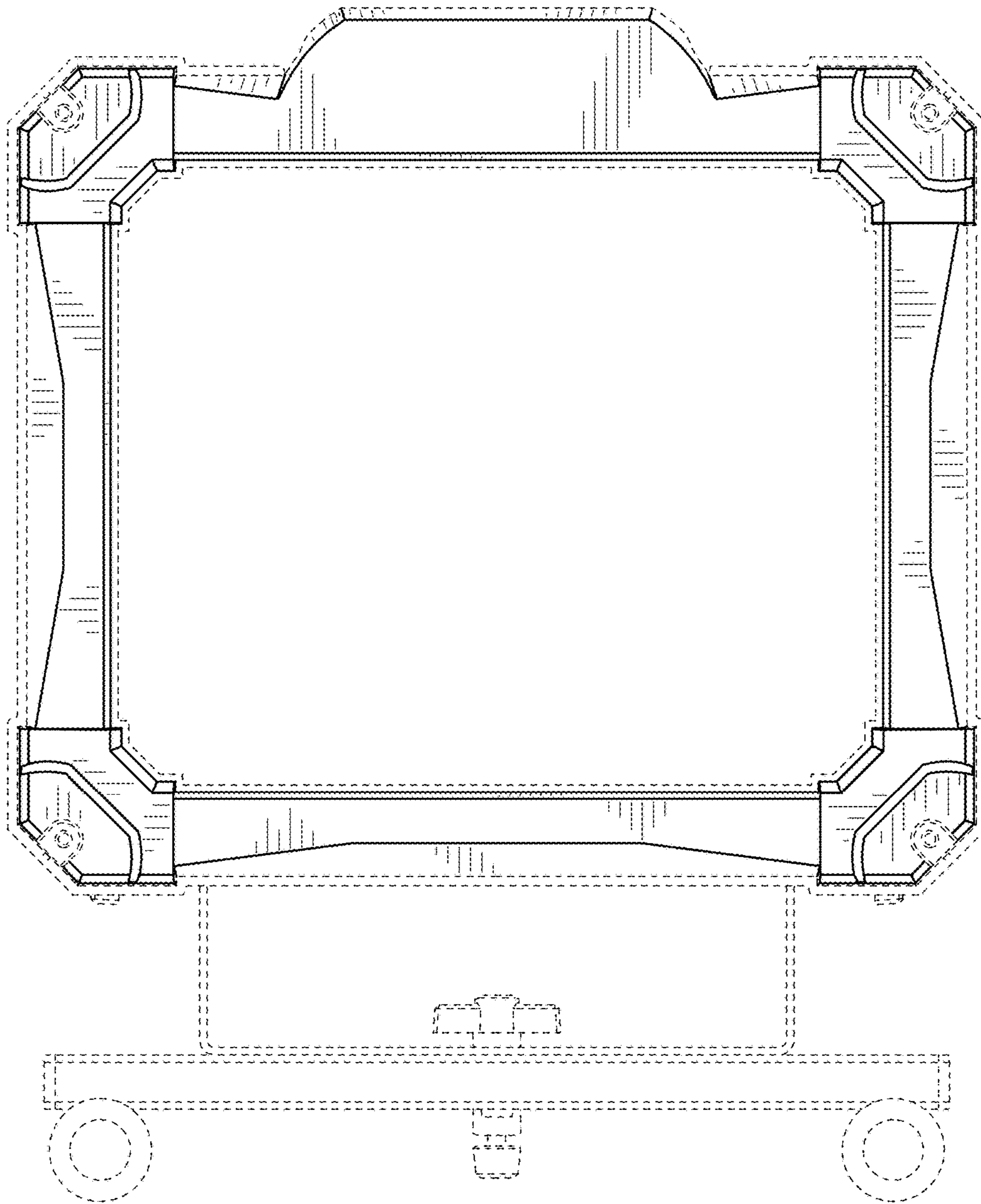


FIG. 16

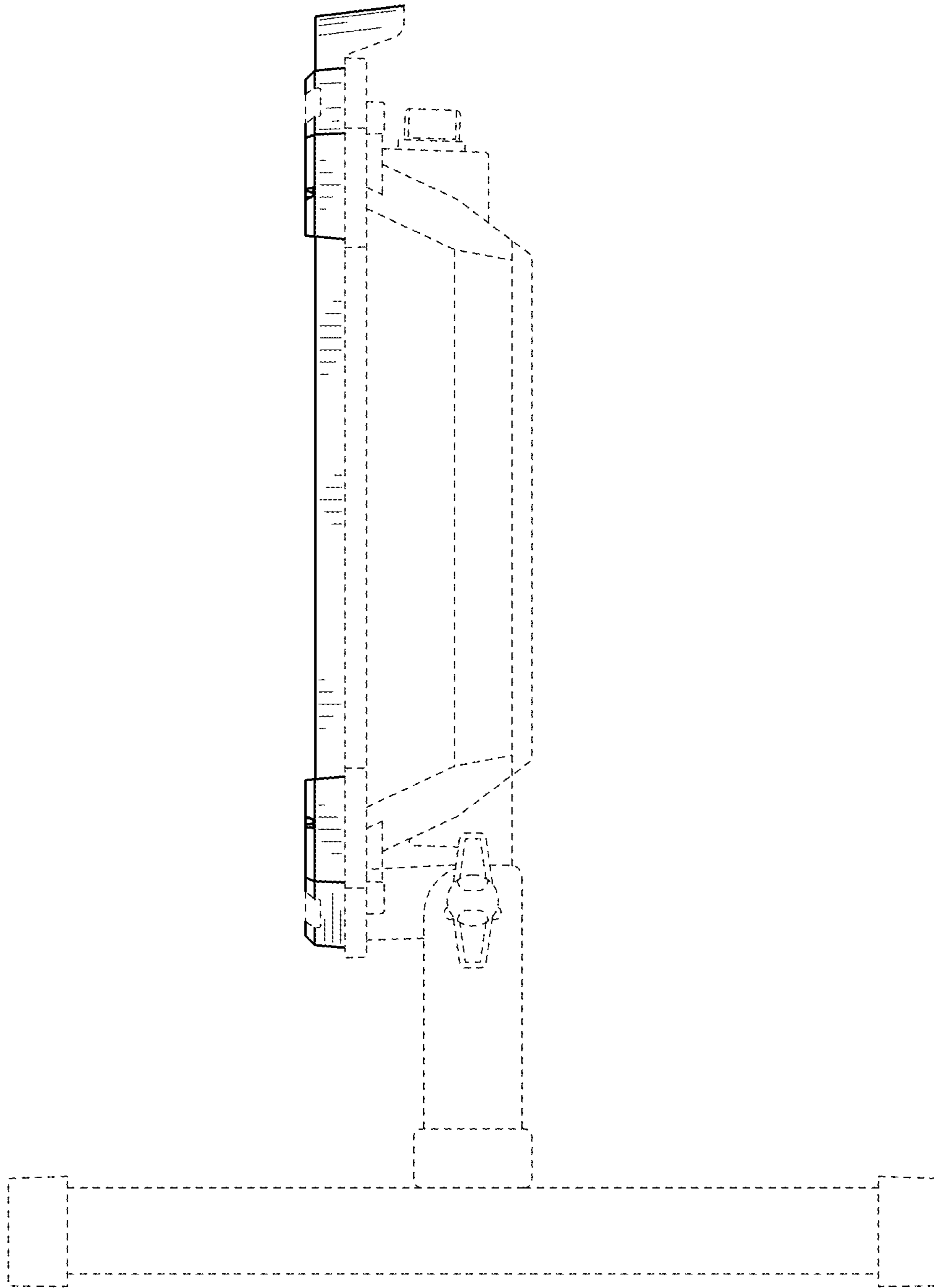


FIG. 17

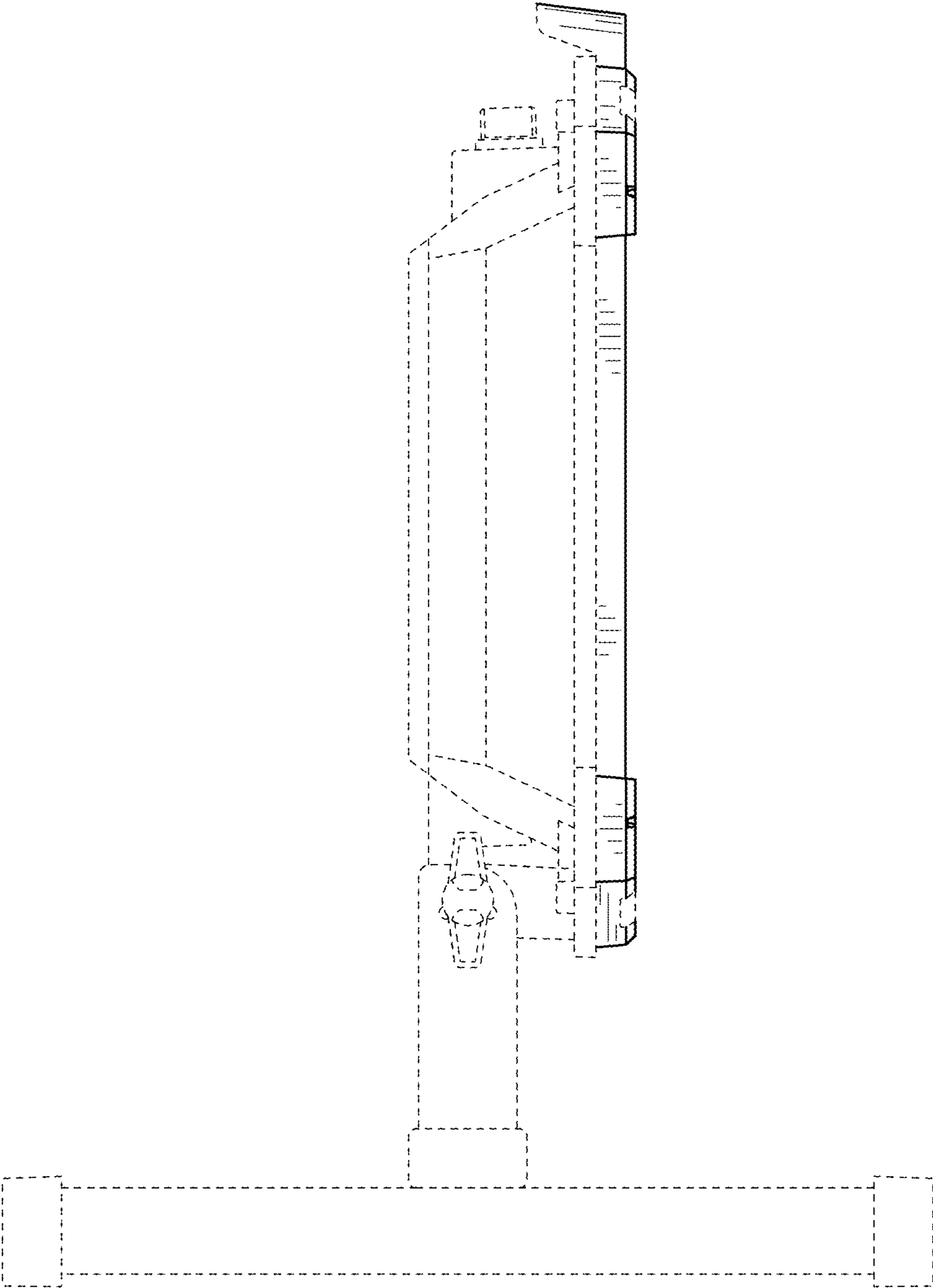


FIG. 18

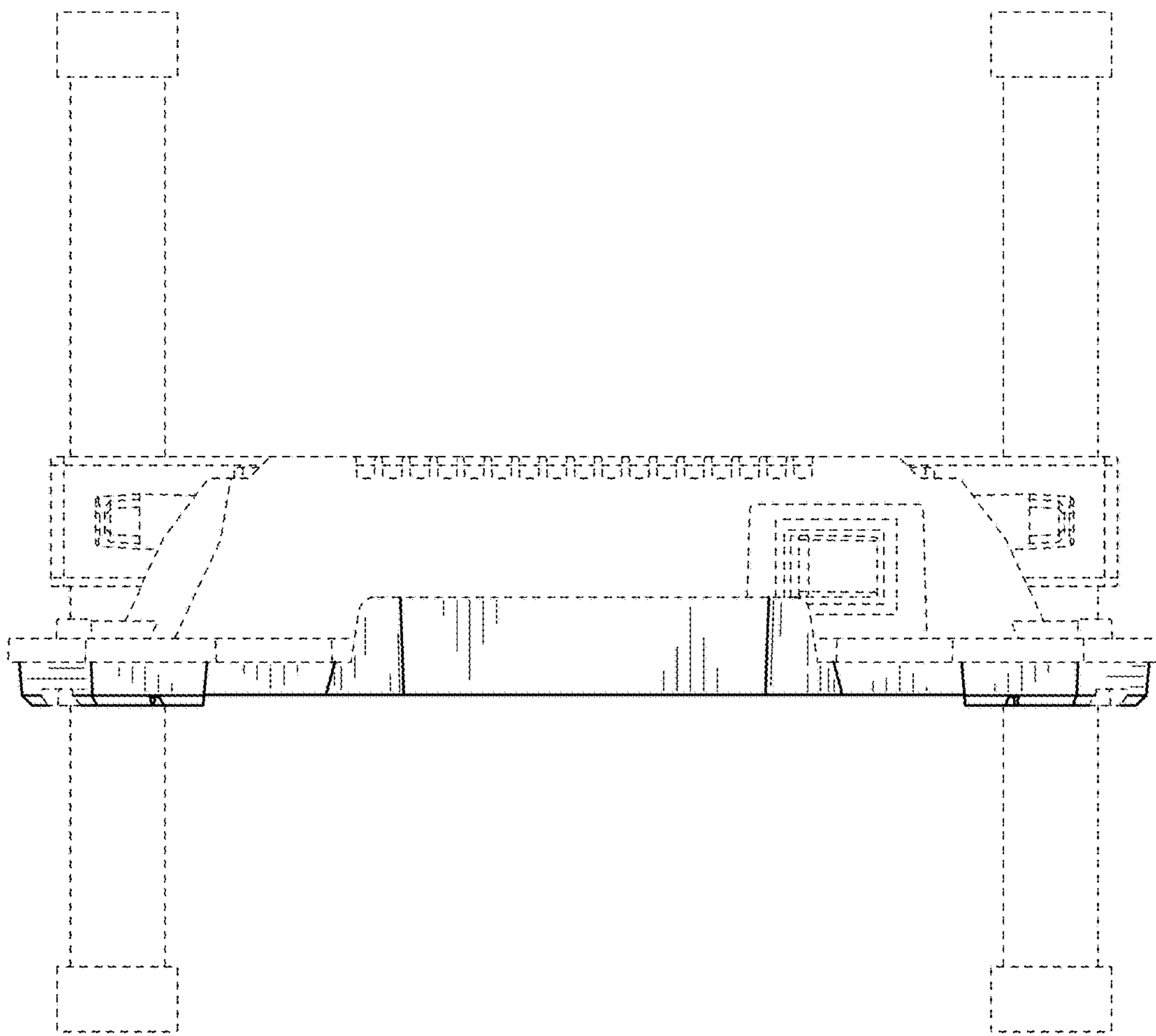


FIG. 19

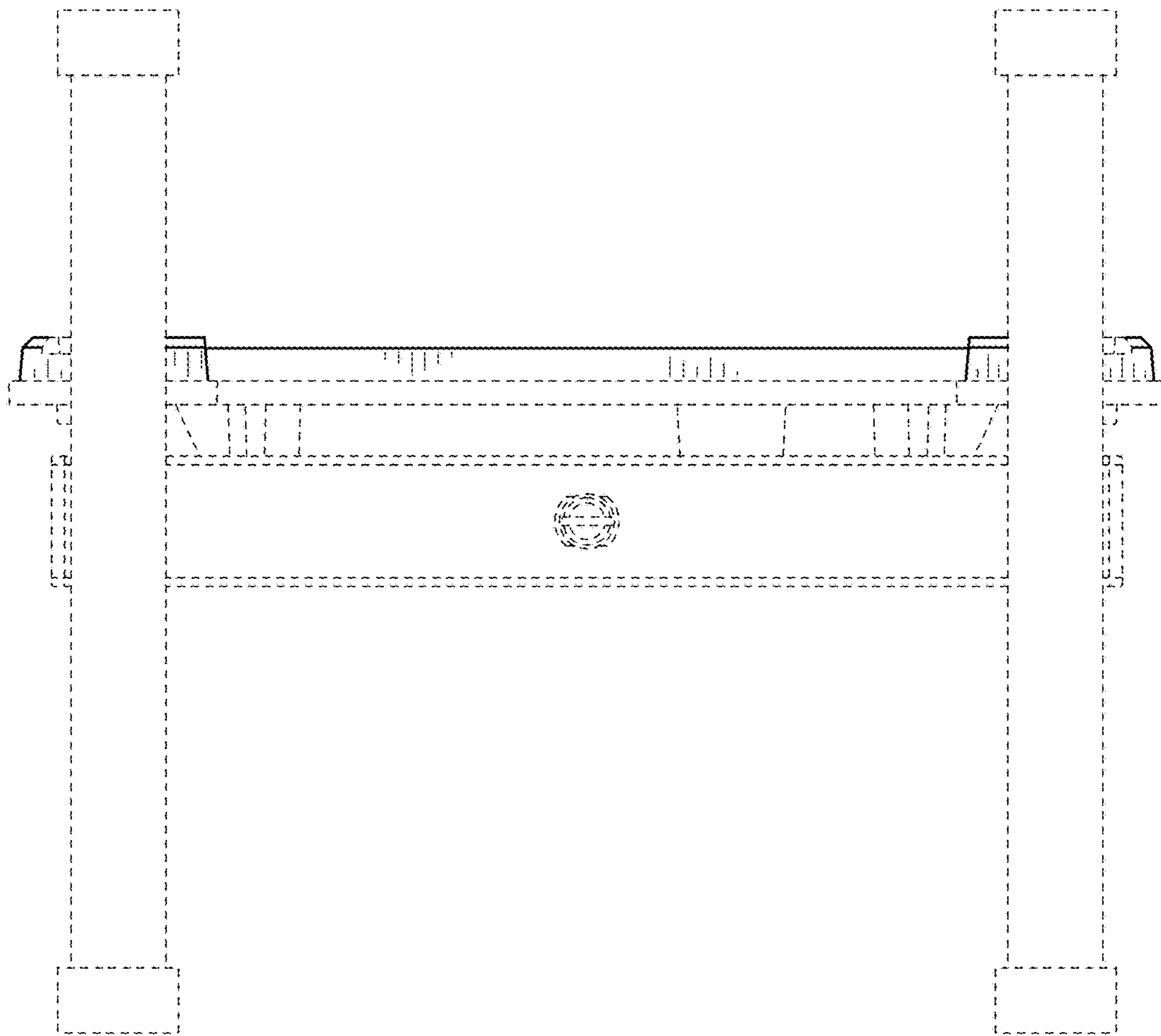


FIG. 20

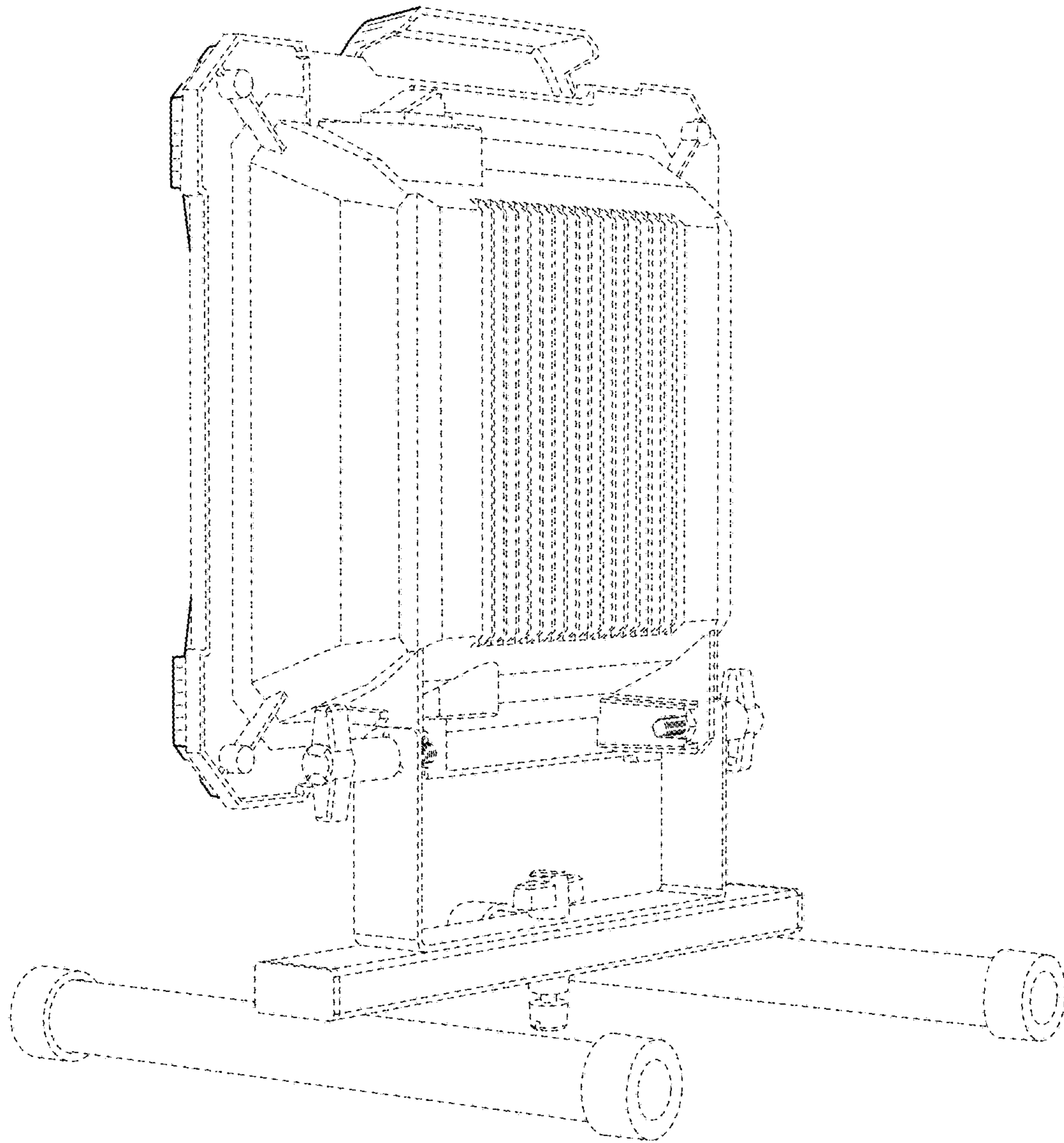


FIG. 21