



US00D843624S

(12) **United States Design Patent**
Son et al.

(10) **Patent No.:** **US D843,624 S**
(45) **Date of Patent:** **** Mar. 19, 2019**

(54) **FLASHLIGHT WITH RETRACTABLE COVER AND PORT CHARGERS**

(71) Applicants: **Aaron Son**, Fountain Valley, CA (US);
Amy Truong, Fountain Valley, CA (US)

(72) Inventors: **Aaron Son**, Fountain Valley, CA (US);
Amy Truong, Fountain Valley, CA (US)

(**) Term: **15 Years**

(21) Appl. No.: **29/588,857**

(22) Filed: **Dec. 23, 2016**

Related U.S. Application Data

(63) Continuation-in-part of application No. 29/528,184, filed on May 27, 2015, which is a continuation-in-part of application No. 14/542,272, filed on Nov. 14, 2014, and a continuation-in-part of application No. 14/542,272, filed on Nov. 14, 2014.

(51) **LOC (11) Cl.** **26-02**

(52) **U.S. Cl.**
USPC **D26/49**

(58) **Field of Classification Search**
USPC D26/37, 38, 46, 49, 51
CPC F21L 2003/00; F21L 4/00; F21L 4/005;
F21L 4/02; F21L 4/025; F21L 4/027;
F21L 4/04; F21L 4/08; F21L 2005/00;
F21L 7/00; F21L 11/00; F21L 13/00;
F21L 13/04; F21L 13/08; F21L 14/02;
F21L 17/00; F21L 19/00

See application file for complete search history.

(56) **References Cited**

U.S. PATENT DOCUMENTS

4,985,812 A 1/1991 Uke
6,079,847 A 6/2000 Nelson

D481,147 S 10/2003 Yang
D514,725 S 2/2006 Shiu
D532,138 S 11/2006 Wang
D541,454 S * 4/2007 Galey D26/49
D553,776 S 10/2007 Liu
D554,281 S 10/2007 Bushee et al.
D557,838 S 12/2007 Shiu
D566,309 S 4/2008 Kornfeld et al.
D577,844 S 9/2008 Shiu

(Continued)

Primary Examiner — Lakiya G Rogers

Assistant Examiner — Carissa C Fitts

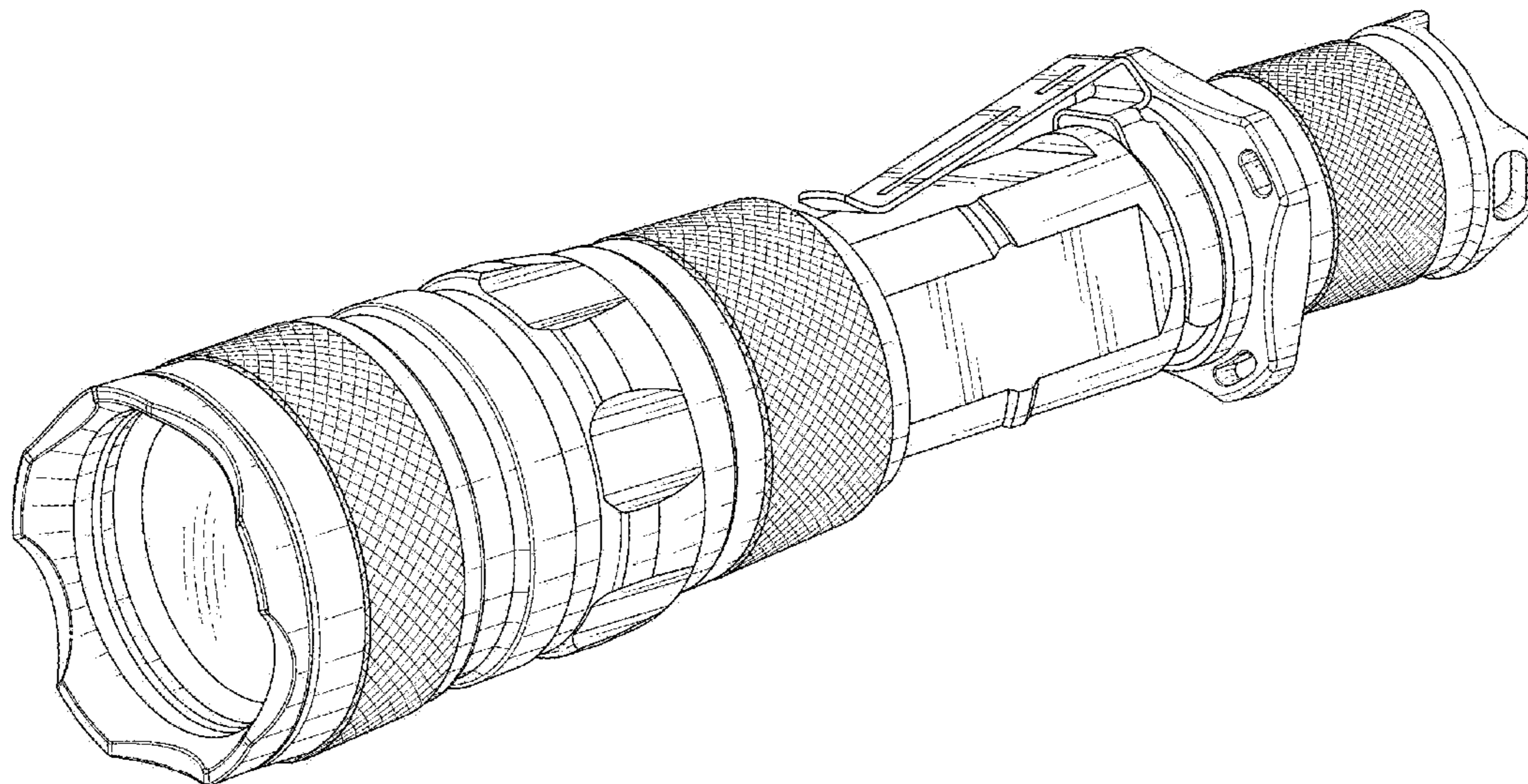
(57) **CLAIM**

The ornamental design for a flashlight with retractable cover and port chargers, as shown and described.

DESCRIPTION

FIG. 1 is a front perspective view of a flashlight with retractable cover and port chargers showing my new design; FIG. 2 is a back perspective view thereof; FIG. 3 is a front view thereof; FIG. 4 is a back view thereof; FIG. 5 is a bottom view thereof; FIG. 6 is a top view thereof; FIG. 7 is a side view thereof; FIG. 8 is an opposite side view thereof; FIG. 9 is a bottom view thereof shown with the cover in a retracted position; FIG. 10 is another top view thereof; FIG. 11 is another side view thereof; FIG. 12 is another opposite side view thereof; FIG. 13 is another front perspective view thereof; and, FIG. 14 is another front perspective view thereof. In FIGS. 2 and 4, the broken lines illustrate portions of the flashlight with retractable cover and port chargers, wherein said portions are not claimed and form no part of the claimed design.

1 Claim, 9 Drawing Sheets



(56)

References Cited

U.S. PATENT DOCUMENTS

D598,374 S	8/2009	Sasada		D736,981 S	8/2015	Windom et al.	
D599,928 S *	9/2009	Shiu	D26/49	D743,600 S *	11/2015	Robinson	D26/49
D603,989 S	11/2009	Gardner et al.		D745,200 S	12/2015	Inskeep	
D629,542 S	12/2010	Robinson		D745,732 S *	12/2015	Inskeep	D26/49
D629,544 S	12/2010	Deguglimo		D745,987 S	12/2015	Nawaz	
D645,816 S	9/2011	Sasada		9,206,951 B2	12/2015	McLennan et al.	
D659,270 S	5/2012	Nguyen et al.		D747,020 S	1/2016	Chouprinov et al.	
D674,943 S	1/2013	Sheikh et al.		D747,024 S	1/2016	Windom	
D683,877 S	6/2013	Brands et al.		D749,044 S	2/2016	Huang	
D688,402 S *	8/2013	Roshak	D26/49	D749,254 S	2/2016	Robinson et al.	
D698,961 S	2/2014	Dalton		D749,766 S	2/2016	Nguyen	
D703,134 S	4/2014	Wong		D754,899 S	4/2016	Cooper	
D709,230 S *	7/2014	Nguyen	D26/49	D767,805 S	9/2016	Son	
D709,231 S	7/2014	Nguyen		D769,496 S *	10/2016	Inskeep	D26/49
D709,234 S	7/2014	Inskeep		D786,466 S *	5/2017	Prieto	D26/49
D710,526 S	8/2014	Lee		D797,336 S *	9/2017	Inskeep	D26/49
D716,984 S *	11/2014	Inskeep	D26/49	2002/0144446 A1	10/2002	Lindahl	
D719,286 S	12/2014	Inskeep		2002/0154500 A1	10/2002	Matthews	
D719,694 S	12/2014	Nawaz		2004/0190299 A1	9/2004	Chapman	
D732,721 S	6/2015	Popper		2011/0176296 A1	7/2011	Rorick	
D733,050 S	6/2015	Chiang		2011/0290968 A1	12/2011	Maughan et al.	
				2012/0155069 A1	6/2012	Chen	
				2013/0076298 A1	3/2013	Miller et al.	

* cited by examiner

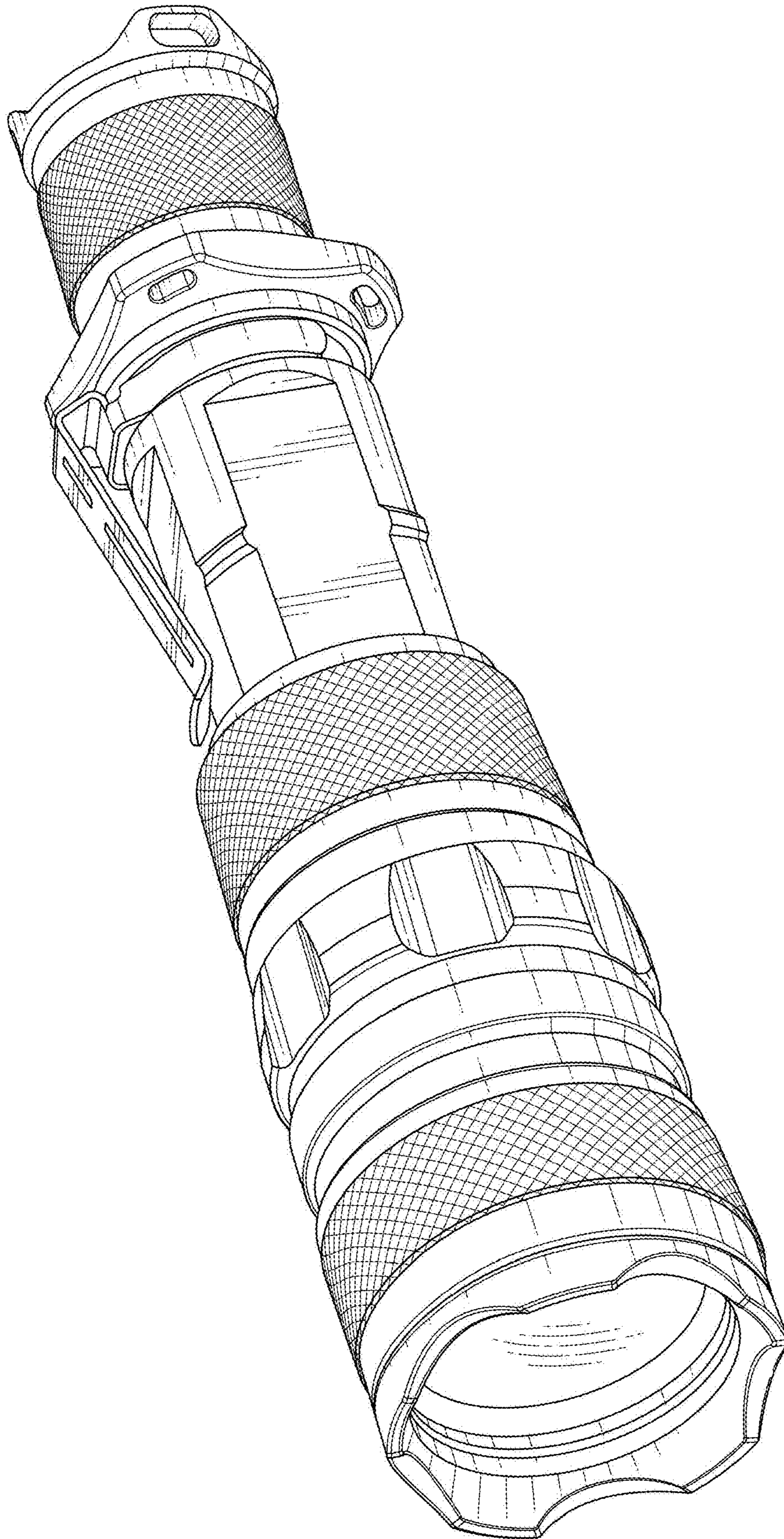


FIG. 1

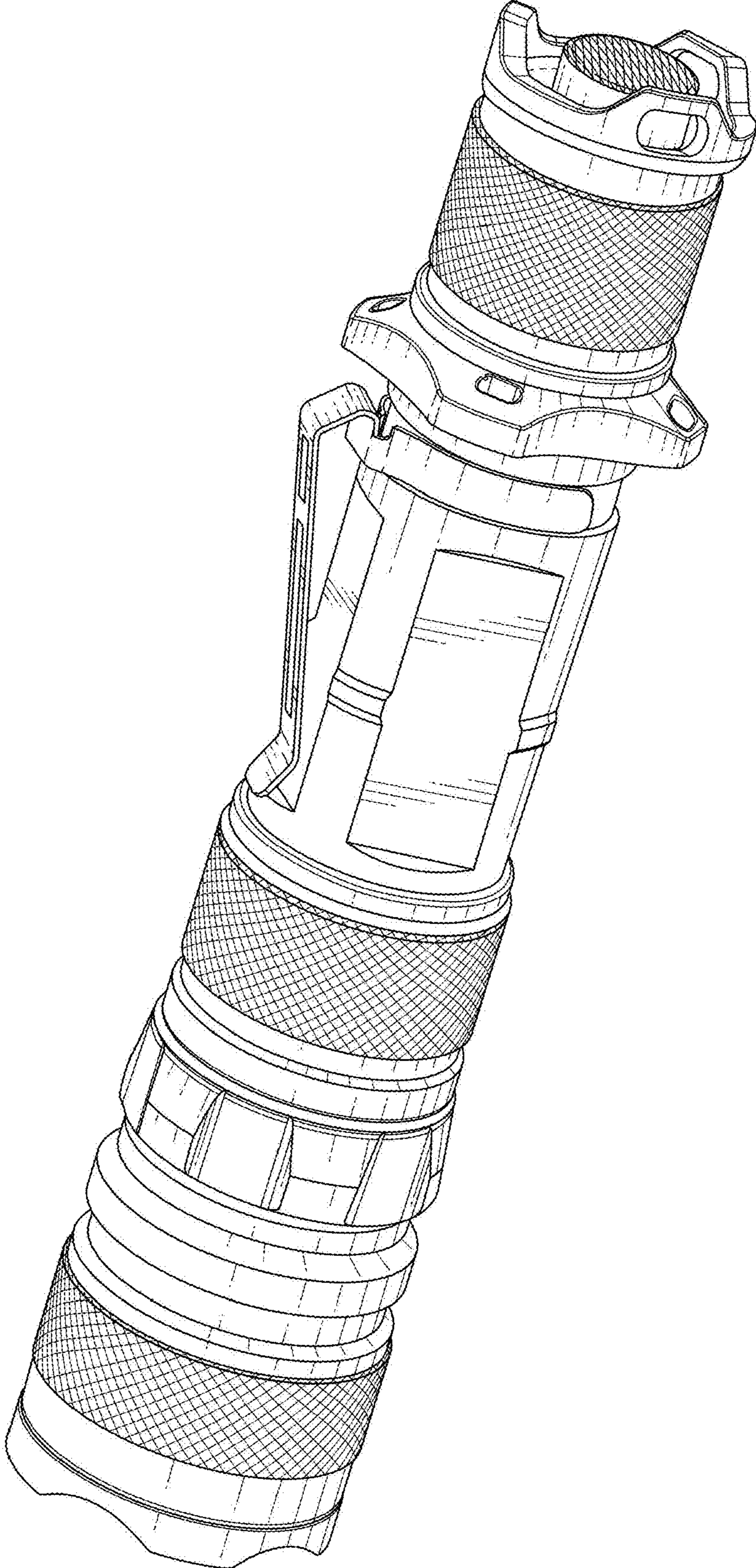


FIG. 2

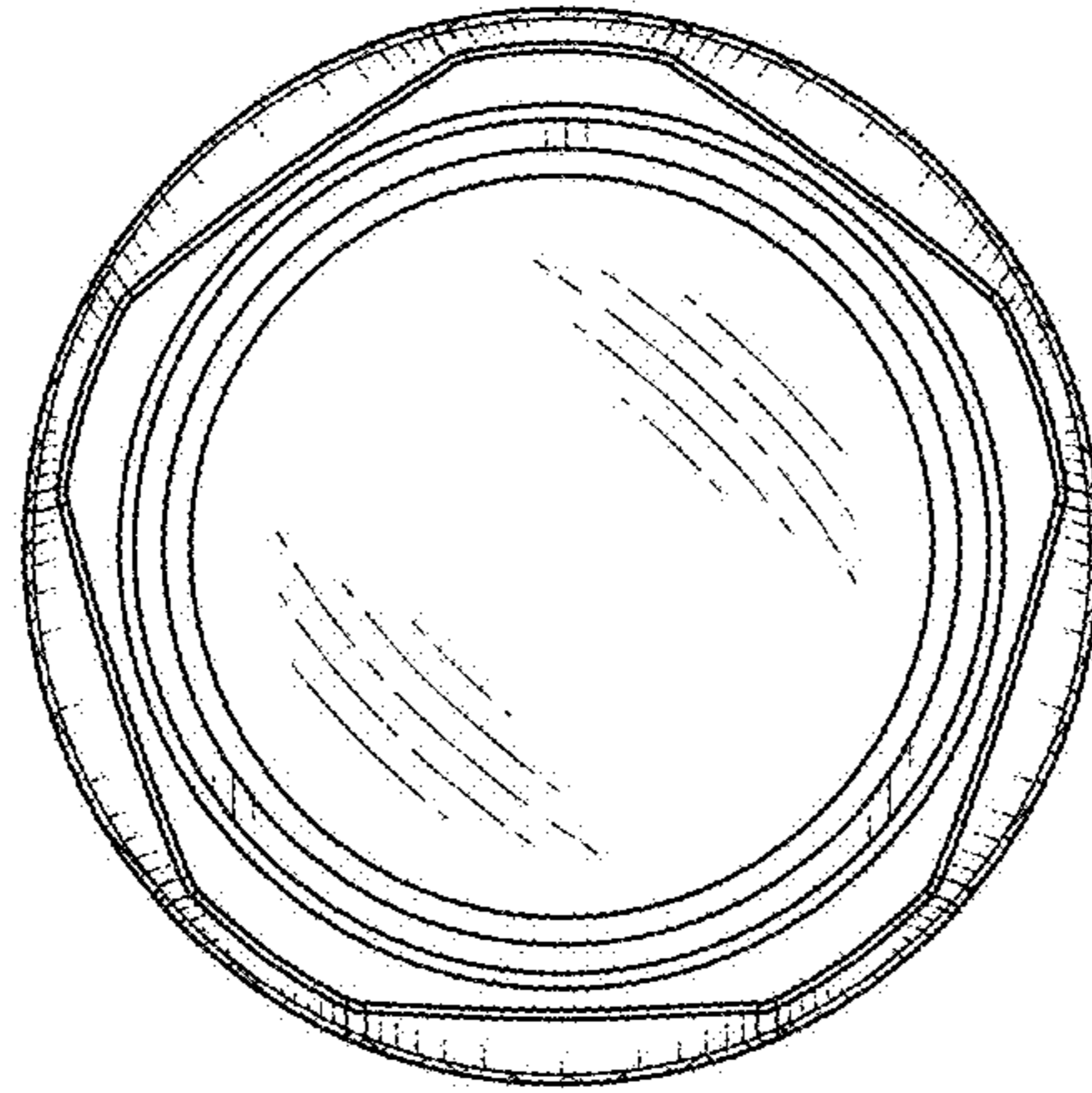


FIG. 3

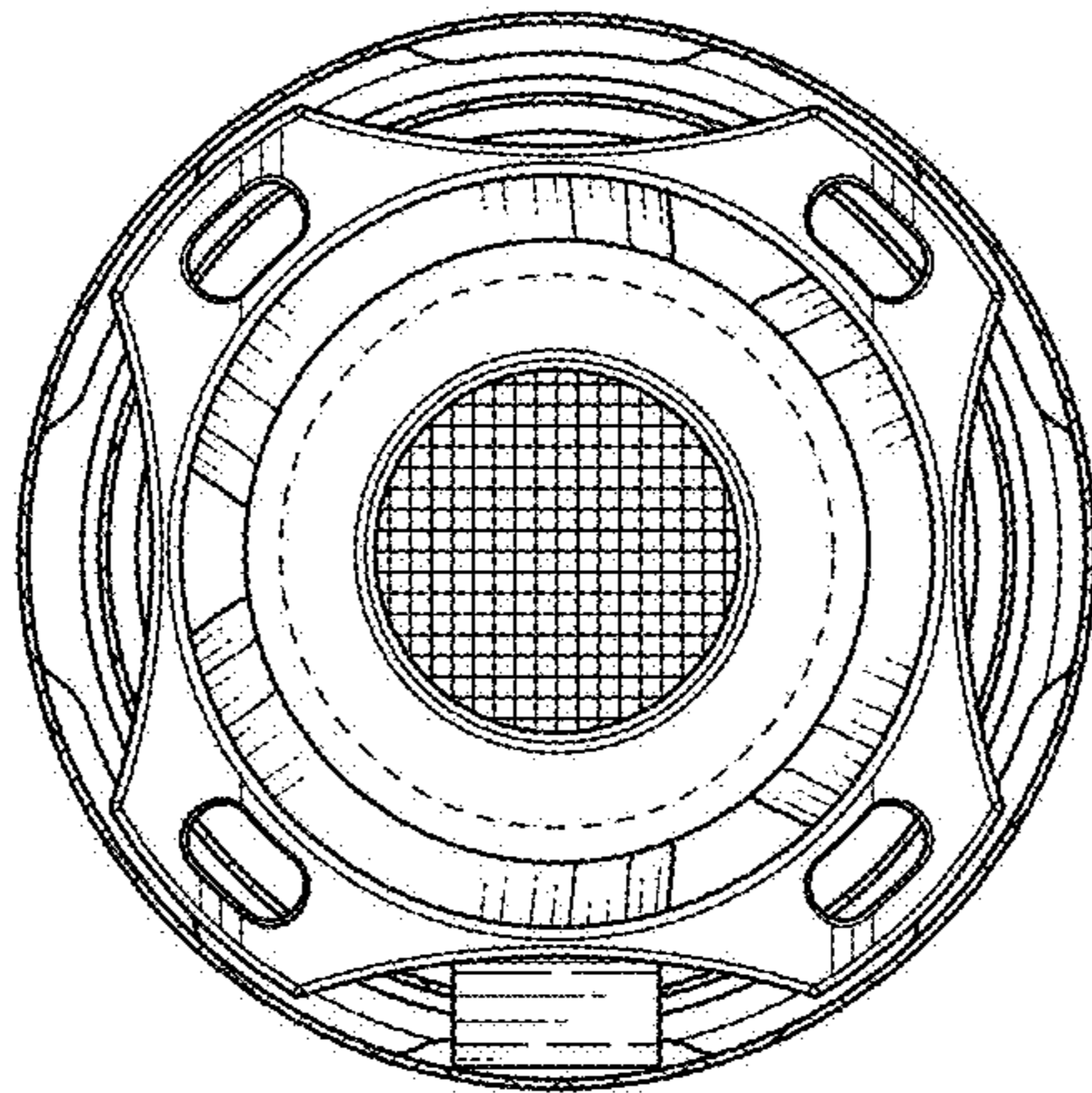


FIG. 4

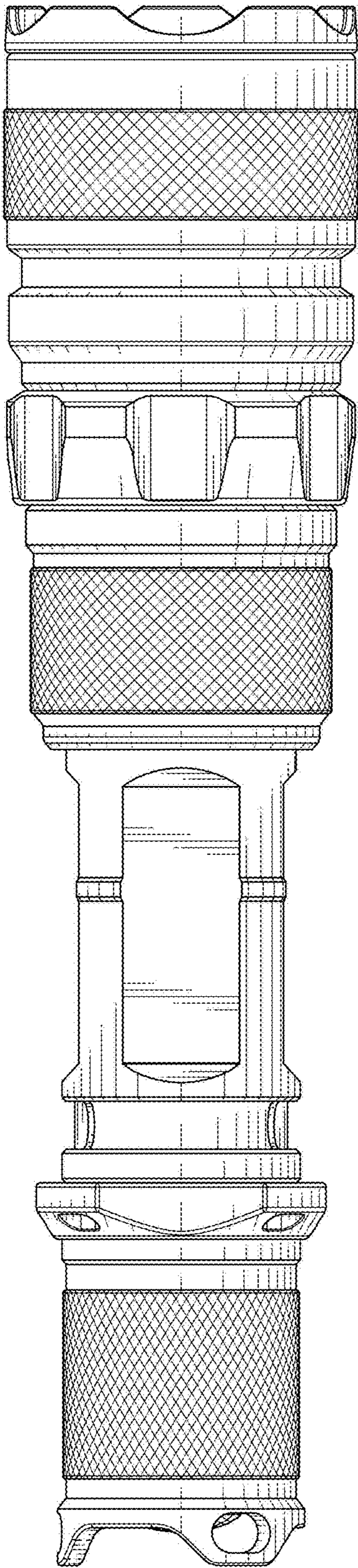


FIG. 5

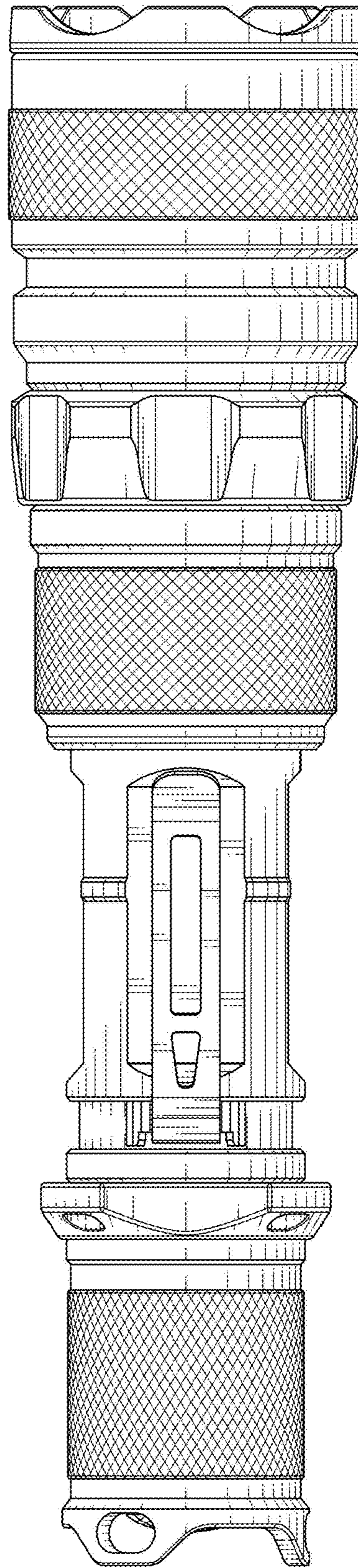


FIG. 6

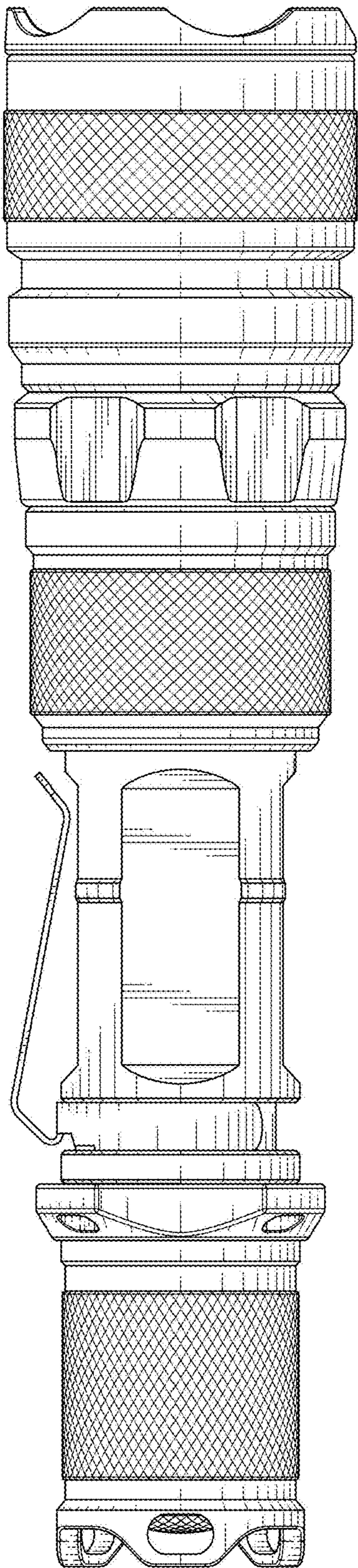


FIG. 7

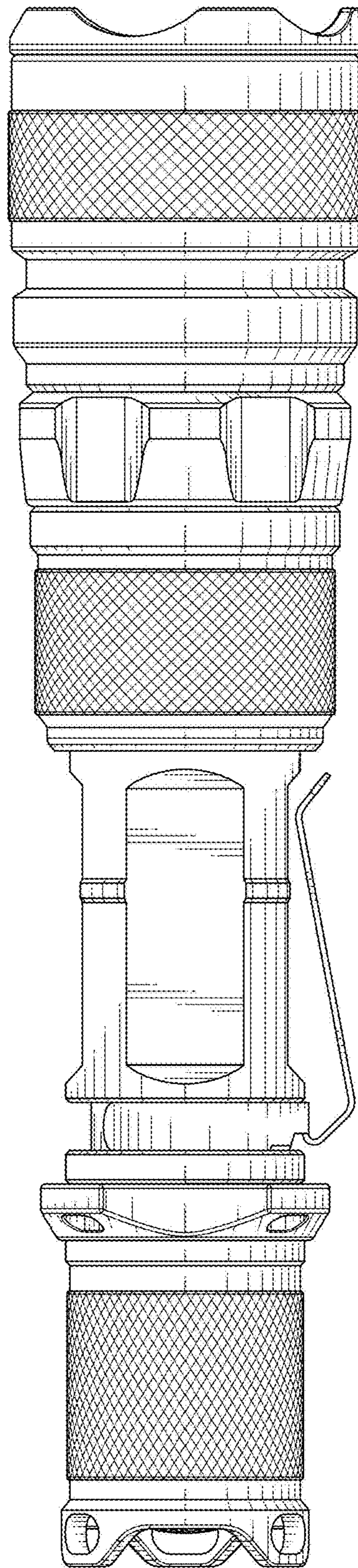


FIG. 8

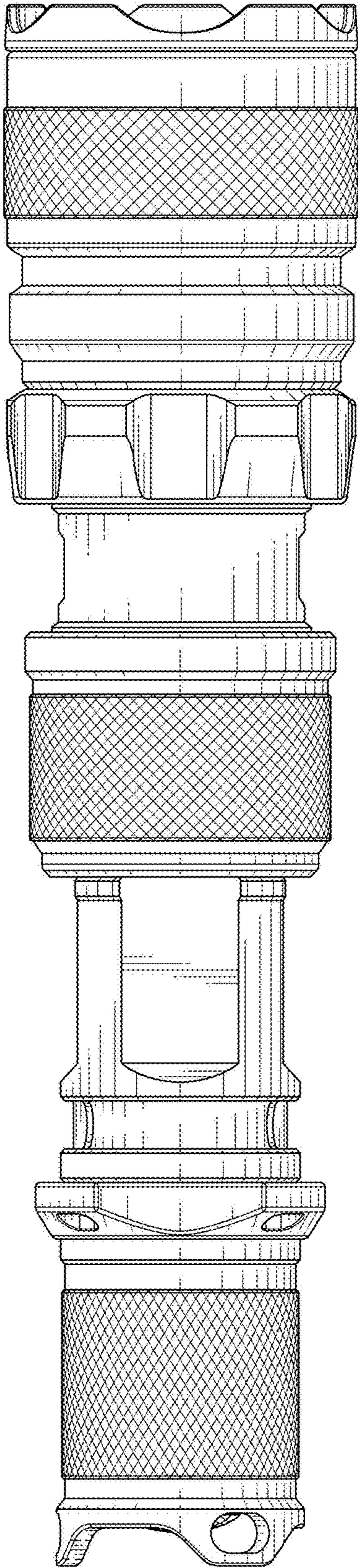


FIG. 9

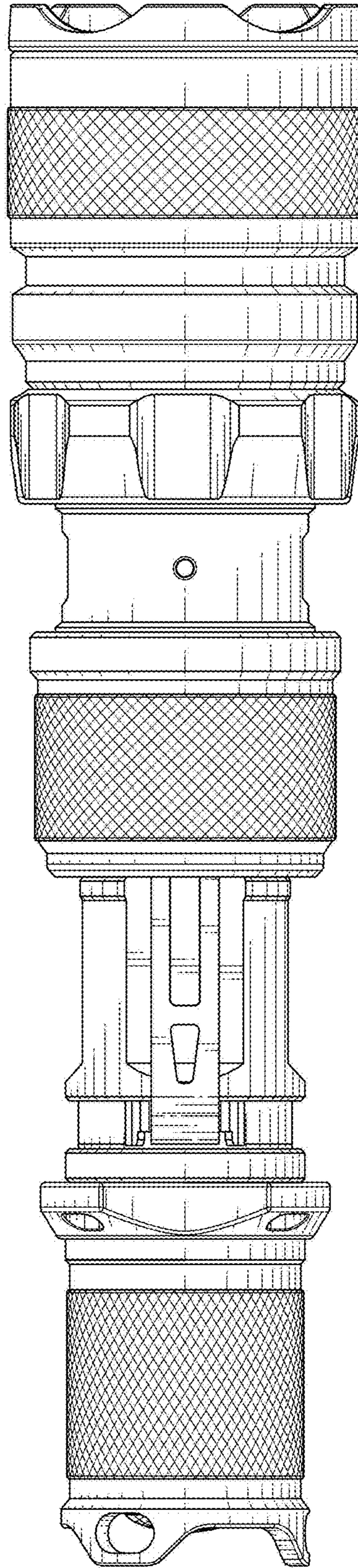


FIG. 10

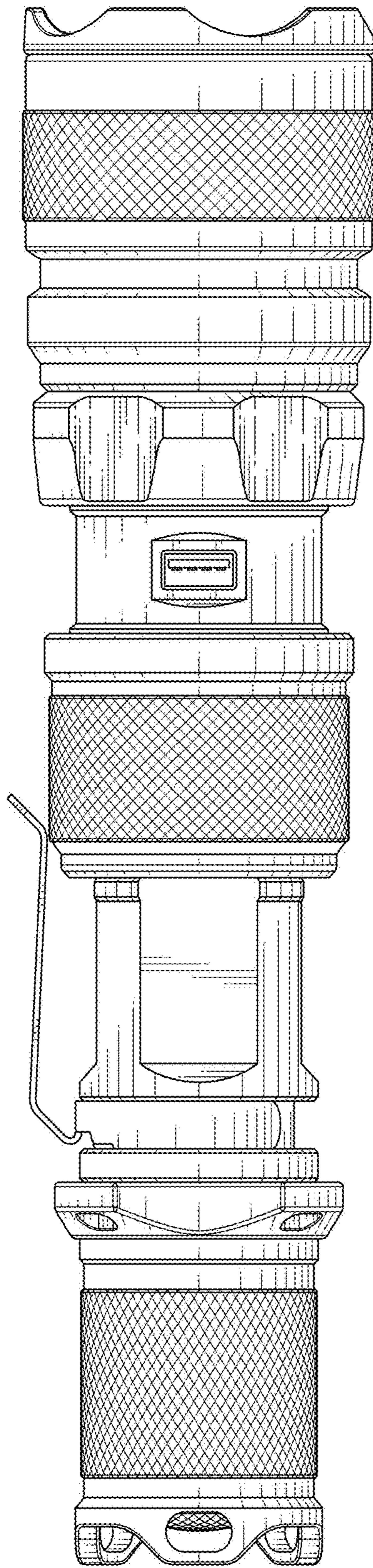


FIG. 11

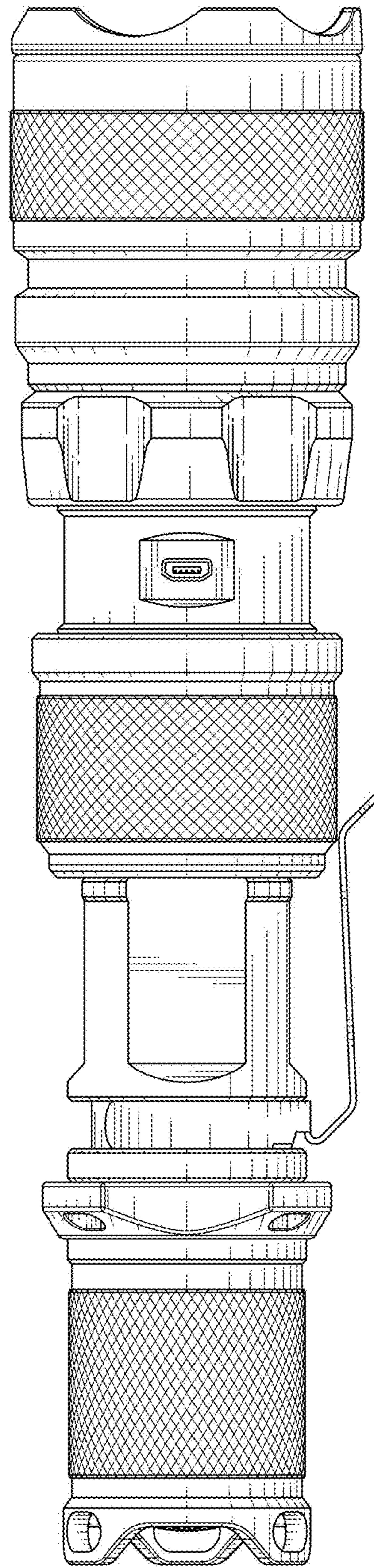


FIG. 12

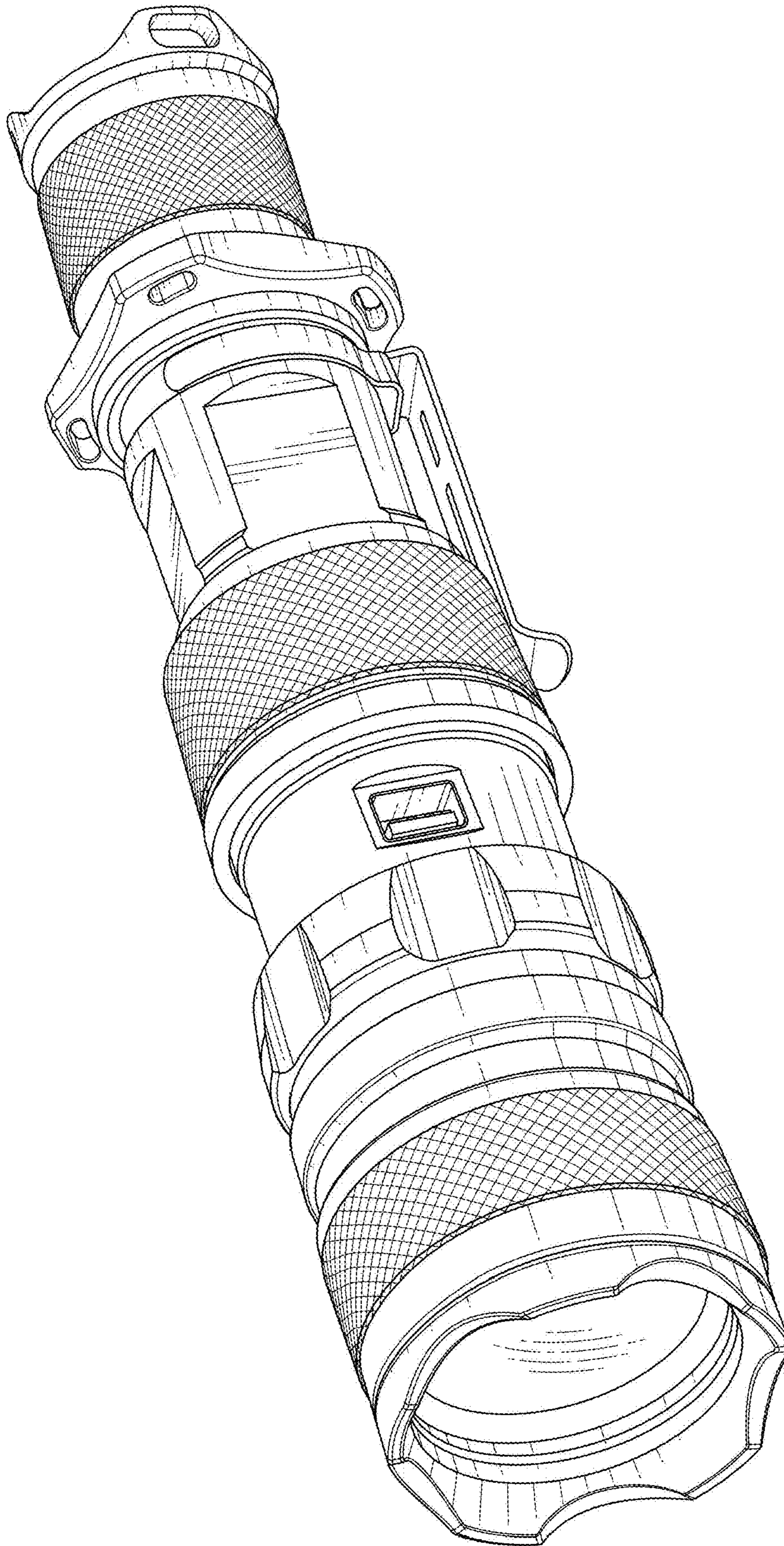


FIG. 13

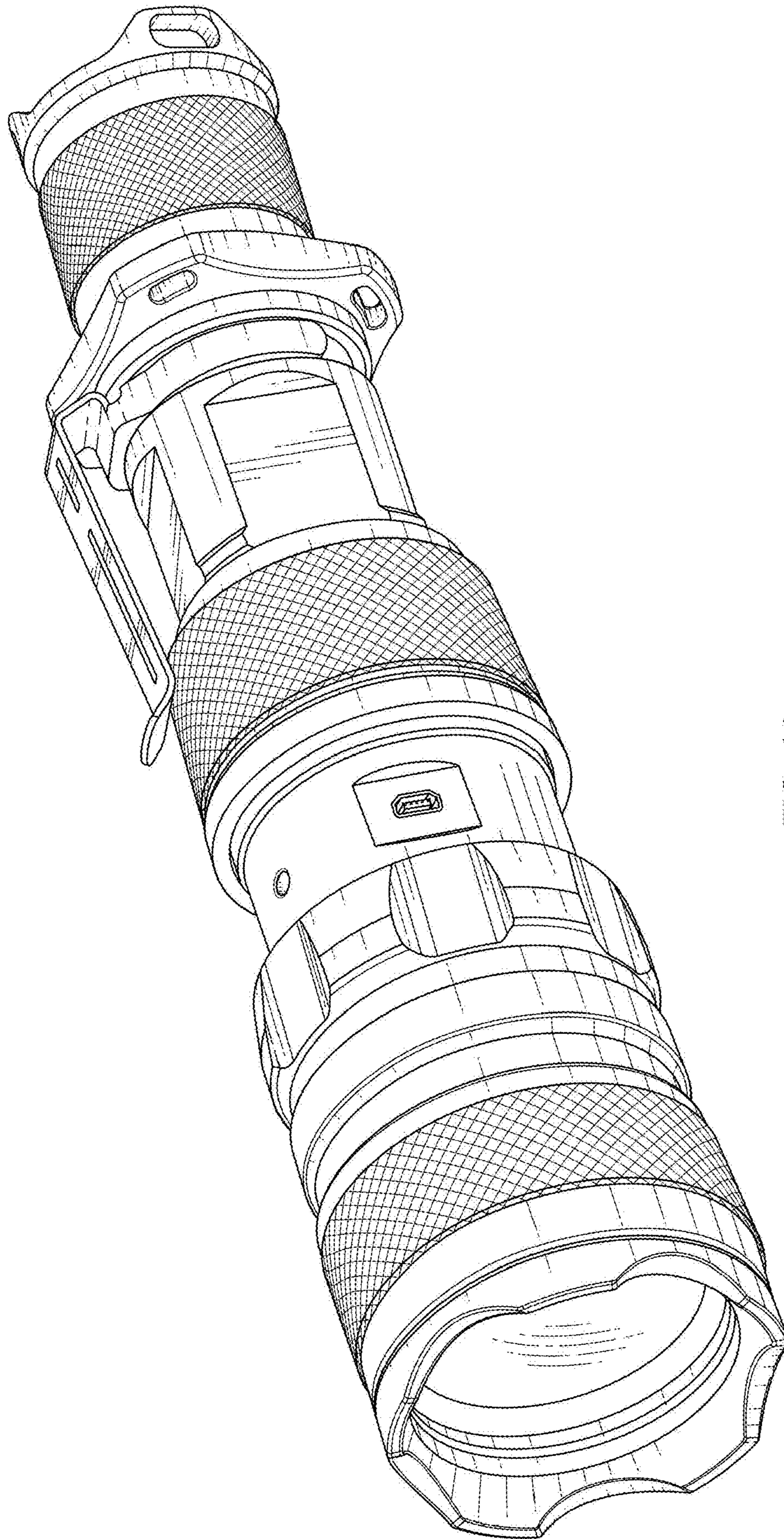


FIG. 14