

US00D843623S

(12) **United States Design Patent**  
**Wu**

(10) **Patent No.:** **US D843,623 S**

(45) **Date of Patent:** **\*\* Mar. 19, 2019**

- (54) **FLASHLIGHT WITH HANDLE**
- (71) Applicant: **Liuning Wu**, Ningbo (CN)
- (72) Inventor: **Liuning Wu**, Ningbo (CN)
- (73) Assignee: **Ningbo Worth International Trade Co., Ltd**, Ningbo (CN)
- (\*\*) Term: **15 Years**

D413,401 S *	8/1999	McDonald	.....	D26/49
D445,926 S *	7/2001	Cheong	.....	D26/37
D455,511 S *	4/2002	Chang	.....	D26/46
D455,513 S *	4/2002	Galli	.....	D26/49
D561,365 S *	2/2008	Huff	.....	D26/37
D636,512 S *	4/2011	Heath	.....	D26/49
D638,157 S *	5/2011	Lee	.....	D26/49
D645,181 S *	9/2011	Garcia	.....	D26/49
D667,577 S *	9/2012	Wu	.....	D26/49
D667,976 S *	9/2012	Wu	.....	D26/49
D674,946 S *	1/2013	Bertken	.....	D26/49
D743,075 S *	11/2015	Keaton	.....	D22/108

- (21) Appl. No.: **29/585,566**
- (22) Filed: **Nov. 27, 2016**
- (51) **LOC (11) Cl.** ..... **26-02**
- (52) **U.S. Cl.**  
USPC ..... **D26/49**
- (58) **Field of Classification Search**  
USPC ..... D26/37, 38, 46, 49, 51  
CPC ..... F21L 2003/00; F21L 4/00; F21L 4/005;  
F21L 4/02; F21L 4/025; F21L 4/027;  
F21L 4/04; F21L 4/08; F21L 2005/00;  
F21L 7/00; F21L 11/00; F21L 13/00;  
F21L 13/04; F21L 13/08; F21L 14/02;  
F21L 17/00; F21L 19/00  
See application file for complete search history.

\* cited by examiner

*Primary Examiner* — Lakiya G Rogers  
*Assistant Examiner* — Carissa C Fitts  
 (74) *Attorney, Agent, or Firm* — Thomas I. Rozsa

(57) **CLAIM**

The ornamental design for a flashlight with handle, as shown and described.

**DESCRIPTION**

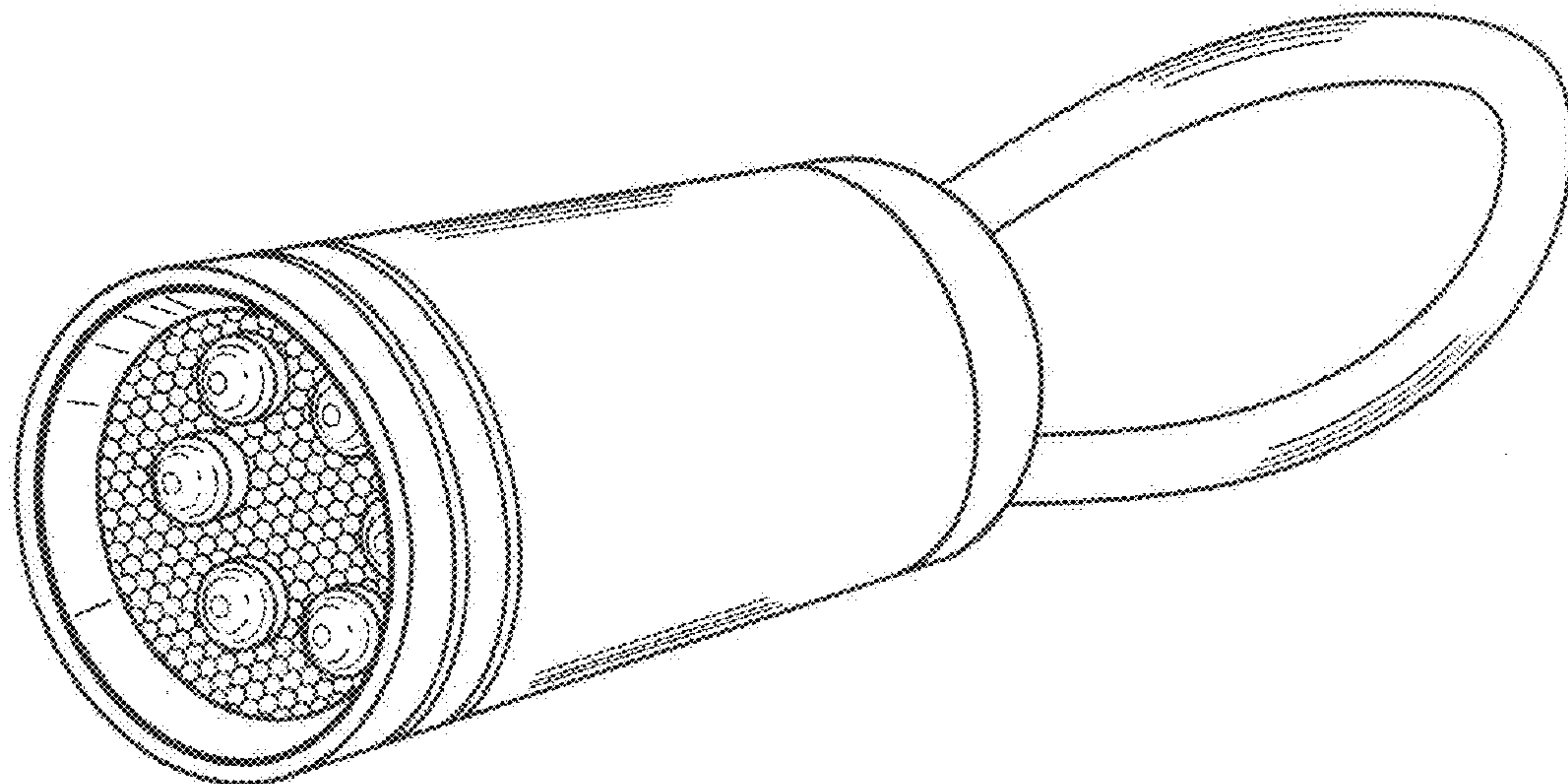
FIG. 1 is a rear side perspective view of the flashlight with handle, showing my new design;  
 FIG. 2 is a front side perspective view thereof;  
 FIG. 3 is a front view thereof;  
 FIG. 4 is a rear view thereof;  
 FIG. 5 is a left side view thereof;  
 FIG. 6 is a right side view thereof;  
 FIG. 7 is a top view thereof; and,  
 FIG. 8 is a bottom view thereof.

(56) **References Cited**

**U.S. PATENT DOCUMENTS**

D368,786 S *	4/1996	Van Cort	.....	D26/49
D403,450 S *	12/1998	Ting	.....	D26/37

**1 Claim, 4 Drawing Sheets**



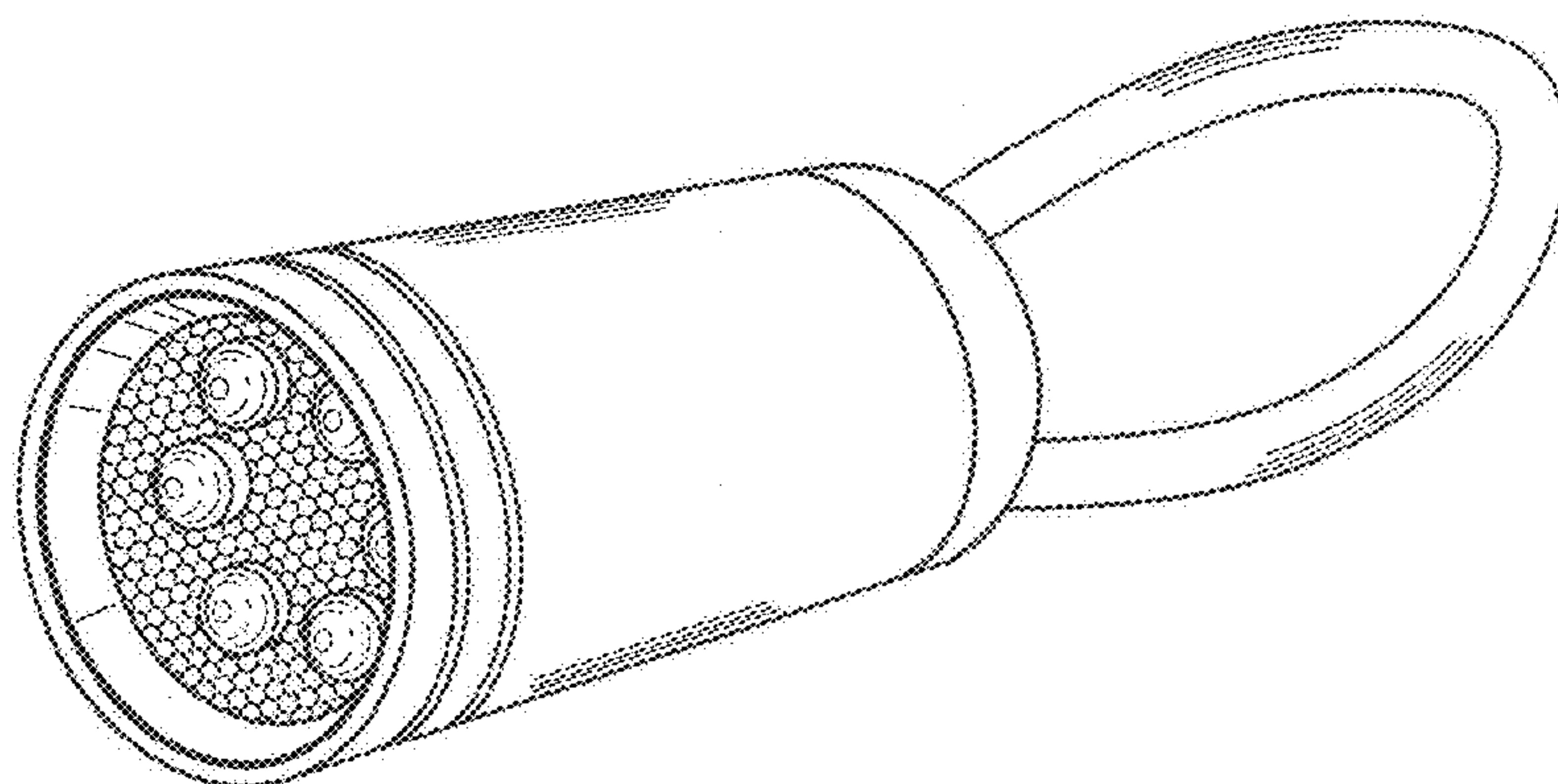


FIG. 1

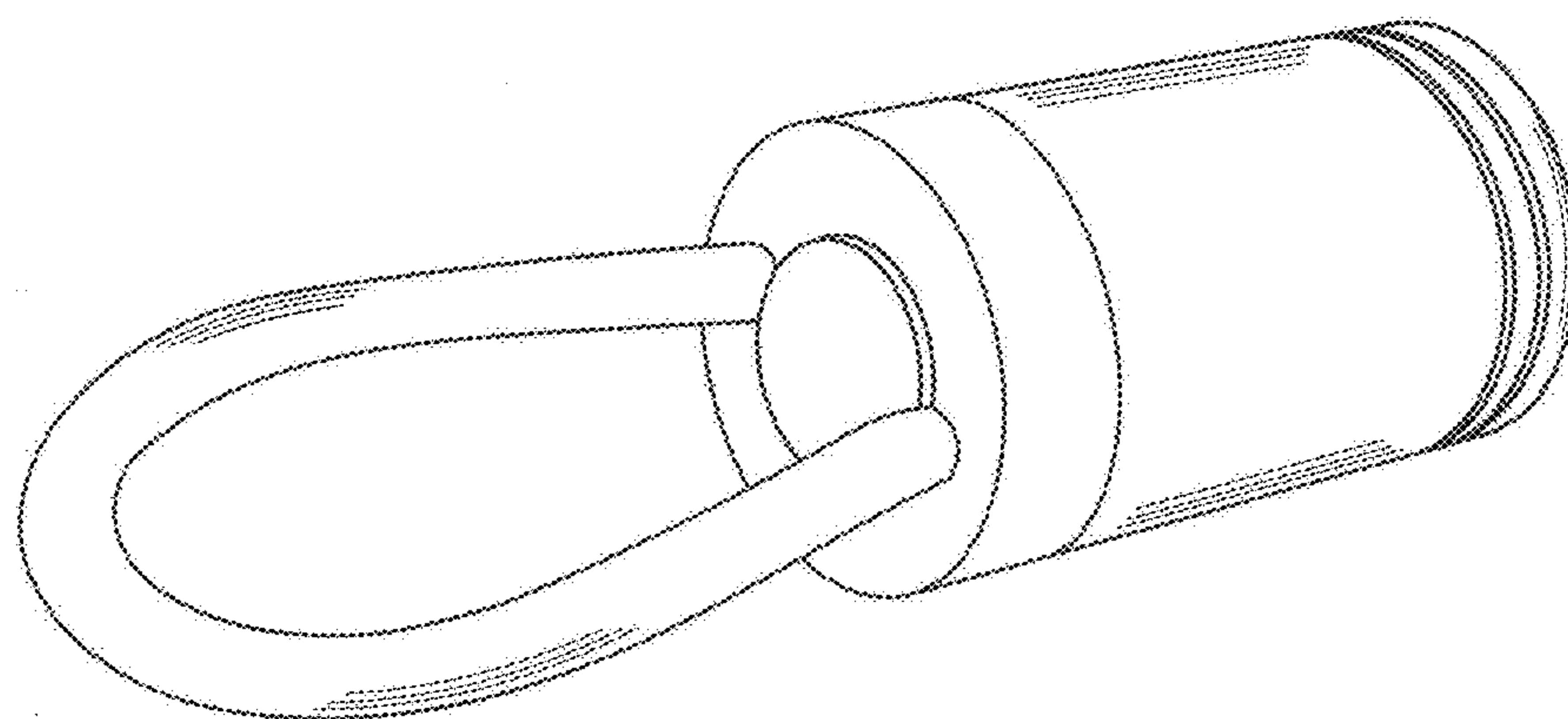


FIG. 2

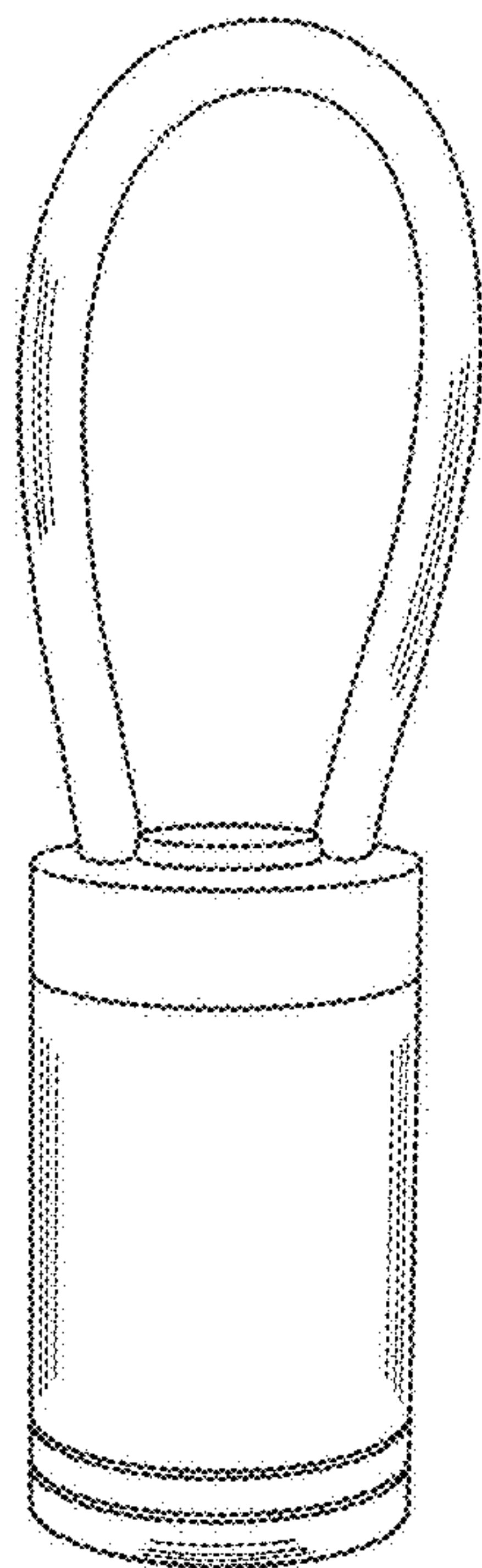


FIG. 3

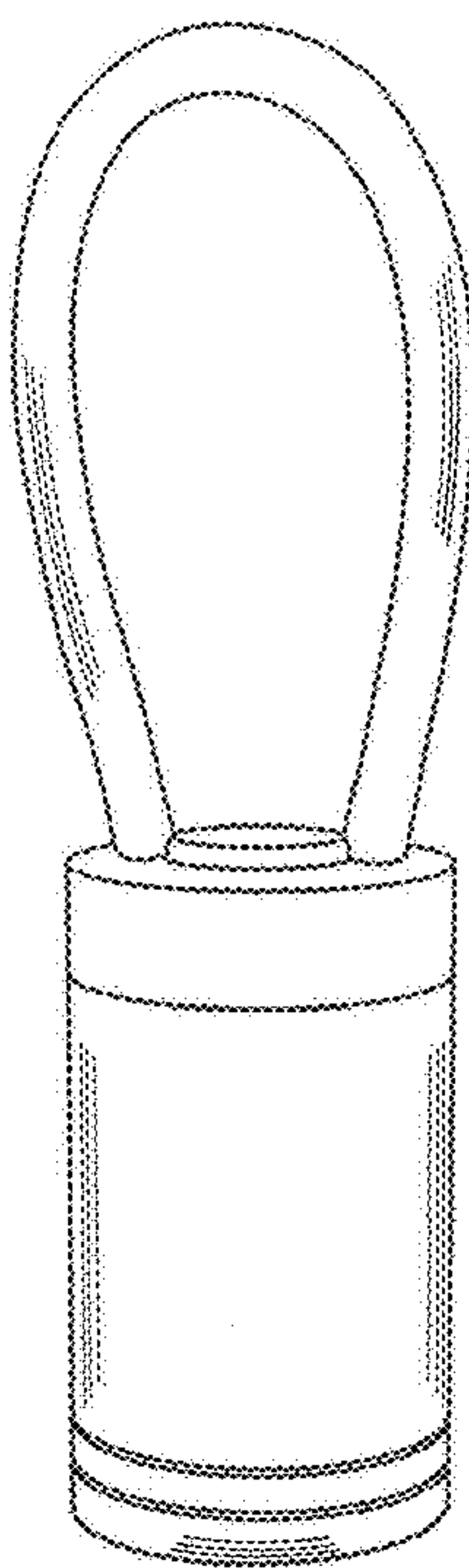


FIG. 4

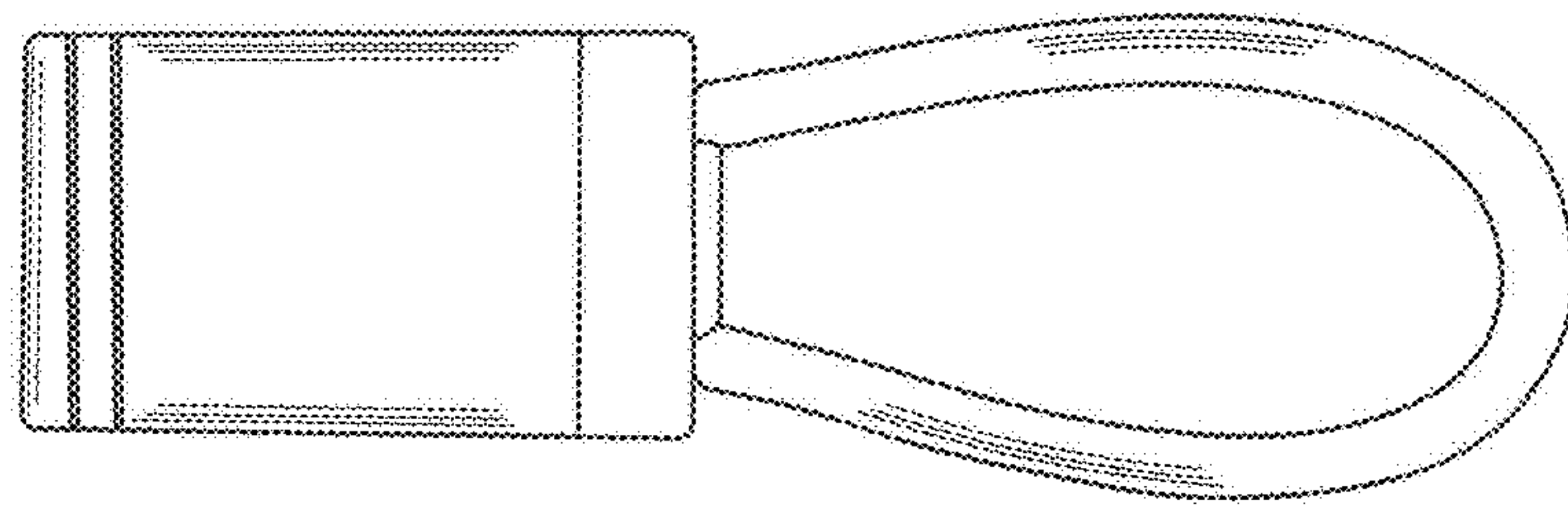


FIG. 5

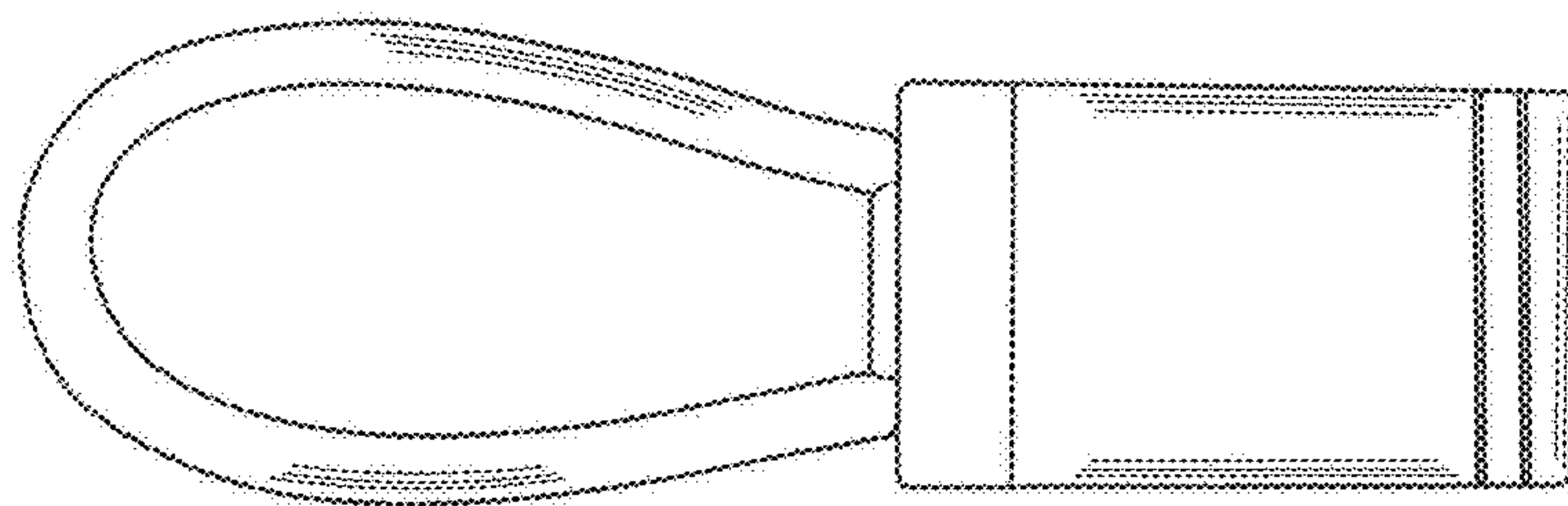


FIG. 6



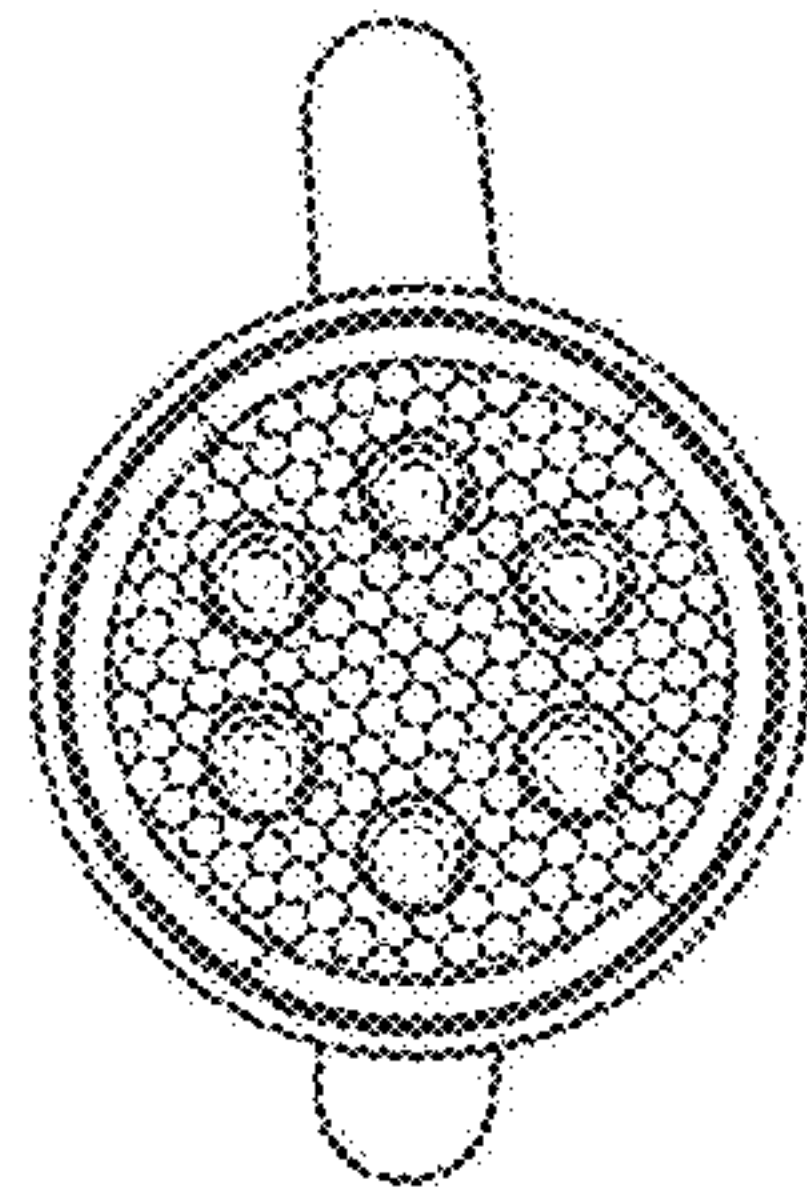


FIG. 7

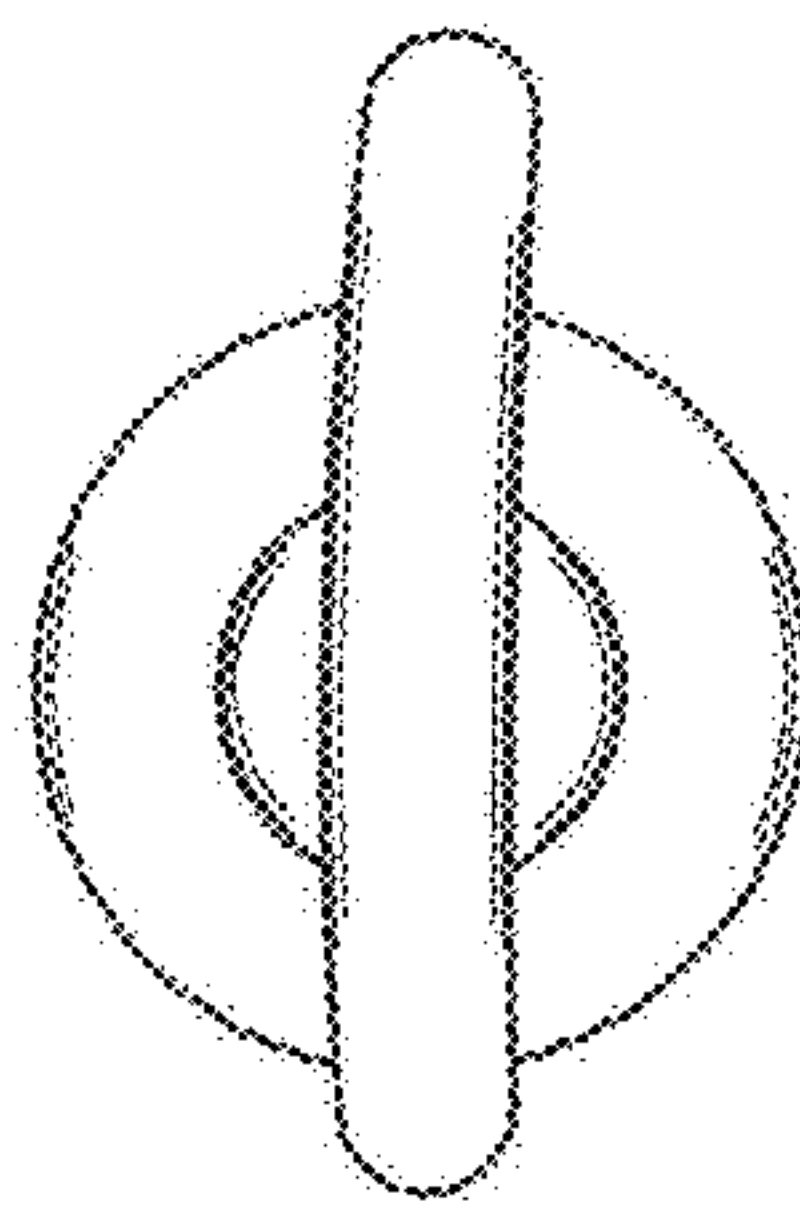


FIG. 8