



US00D843622S

(12) **United States Design Patent** (10) **Patent No.:** **US D843,622 S**
Karl, IV et al. (45) **Date of Patent:** **** Mar. 19, 2019**

(54) **HEADLAMP**
(71) Applicant: **Shock Doctor, Inc.**, Minnetonka, MN (US)
(72) Inventors: **Adam Peter Karl, IV**, Burlington, VT (US); **Benjamin Casey Lanza**, Sheldon, VT (US); **James Creath Frazier**, Hinesburg, VT (US)
(73) Assignee: **Shock Doctor, Inc.**, Minnetonka, MN (US)
(**) Term: **14 Years**

D658,323 S * 4/2012 Freschl D26/39
D677,816 S * 3/2013 Petzl D26/39
D712,579 S * 9/2014 Cen D26/39
D726,943 S * 4/2015 Petzl D26/39
D736,977 S * 8/2015 Petzl D26/39
D736,979 S * 8/2015 Petzl D26/39
D736,980 S * 8/2015 Petzl D26/39
D742,050 S * 10/2015 Inskeep D26/39
D742,051 S * 10/2015 Abernethy D26/39
D744,135 S * 11/2015 Menjor D26/39
D752,257 S * 3/2016 Hine D26/39
D752,258 S * 3/2016 Hine D26/39
D752,260 S * 3/2016 Hine D26/39
D752,261 S * 3/2016 Ma D26/39
D756,552 S * 5/2016 Kunzendorf D26/39
D762,899 S * 8/2016 Green D26/39

(Continued)

(21) Appl. No.: **29/522,901**
(22) Filed: **Apr. 3, 2015**
(51) **LOC (11) Cl.** **26-02**
(52) **U.S. Cl.**
USPC **D26/39**
(58) **Field of Classification Search**
USPC D26/37, 38, 39, 40, 41, 42, 45, 51
CPC F21L 2005/00; F21L 7/00; F21L 11/00;
F21L 13/00; F21L 13/04; F21L 13/08;
F21L 14/02; F21L 17/00; F21L 19/00;
F21L 25/00
See application file for complete search history.

FOREIGN PATENT DOCUMENTS

GB 2228074 A 8/1990
Primary Examiner — Lakiya G Rogers
Assistant Examiner — Carissa C Fitts
(74) *Attorney, Agent, or Firm* — Faegre Baker Daniels LLP

(57) **CLAIM**

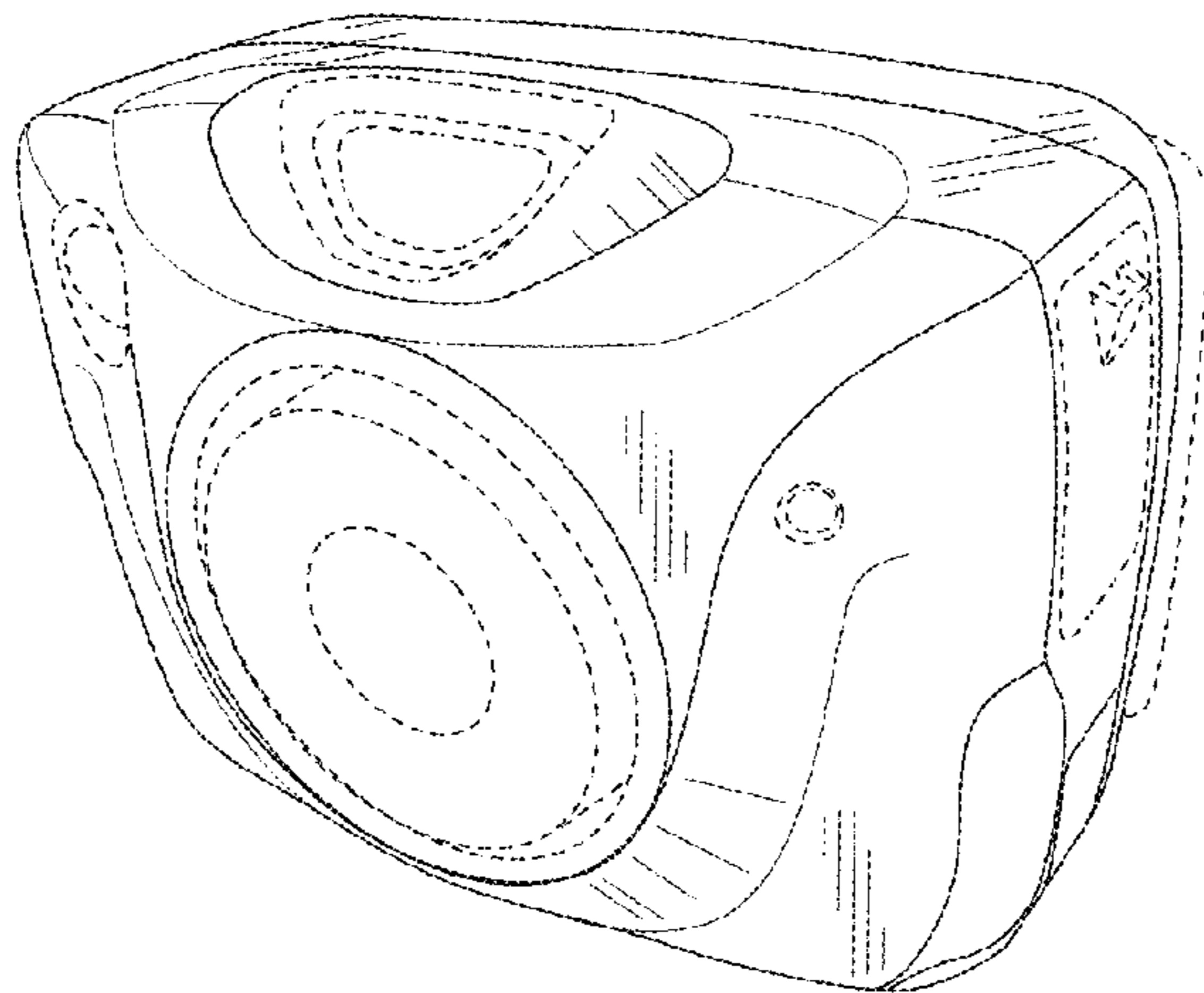
We claim the ornamental design for a headlamp, as shown and described.

DESCRIPTION

FIG. 1 is an isometric view of a design of a headlamp according to our invention;
FIG. 2 is a front view thereof;
FIG. 3 is a back view thereof;
FIG. 4 is a top view thereof;
FIG. 5 is a bottom view thereof;
FIG. 6 is a left side view thereof; and,
FIG. 7 is a right side view thereof.
The broken lines show portions of the article not claimed and form no part of the claimed design.

1 Claim, 2 Drawing Sheets

(56) **References Cited**
U.S. PATENT DOCUMENTS
5,005,004 A 4/1991 Udofot
D445,930 S * 7/2001 Se Kit D26/39
D470,615 S * 2/2003 Janice D26/39
D489,470 S * 5/2004 Yuen D26/39
D554,782 S * 11/2007 Shiu D26/39
D566,310 S * 4/2008 Alessio D26/39
D581,567 S * 11/2008 Crawford D26/38
D596,770 S * 7/2009 Hine D26/39
D603,539 S * 11/2009 Shiu D26/39
D614,786 S * 4/2010 Lee D26/39
D648,468 S * 11/2011 Gibson D26/49



(56)

References Cited

U.S. PATENT DOCUMENTS

D788,339 S * 5/2017 Koshiba D26/39
2008/0089056 A1 4/2008 Grosjean
2008/0205036 A1* 8/2008 Tarter F21L 4/04
362/105

* cited by examiner

FIG.1

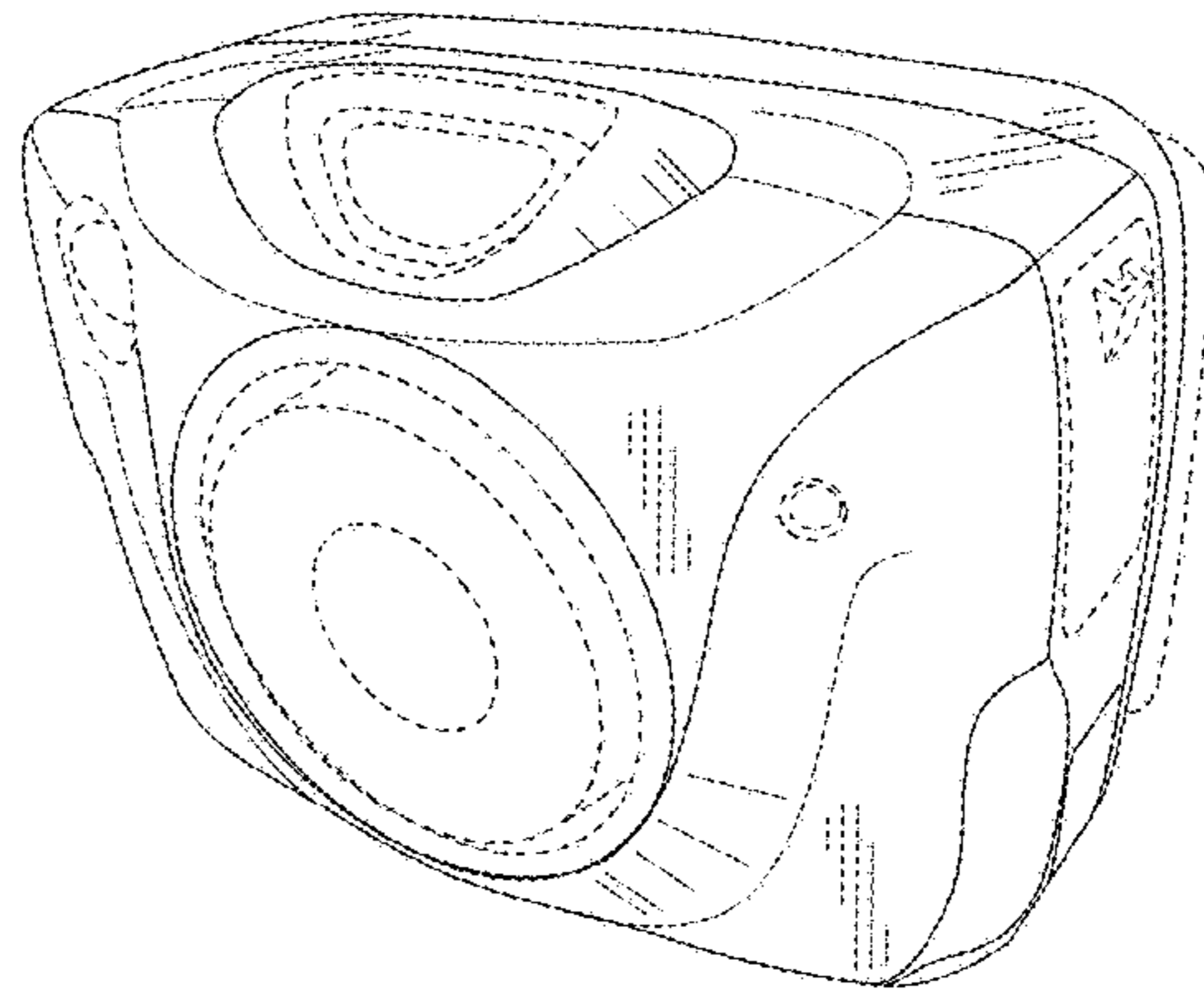


FIG.2

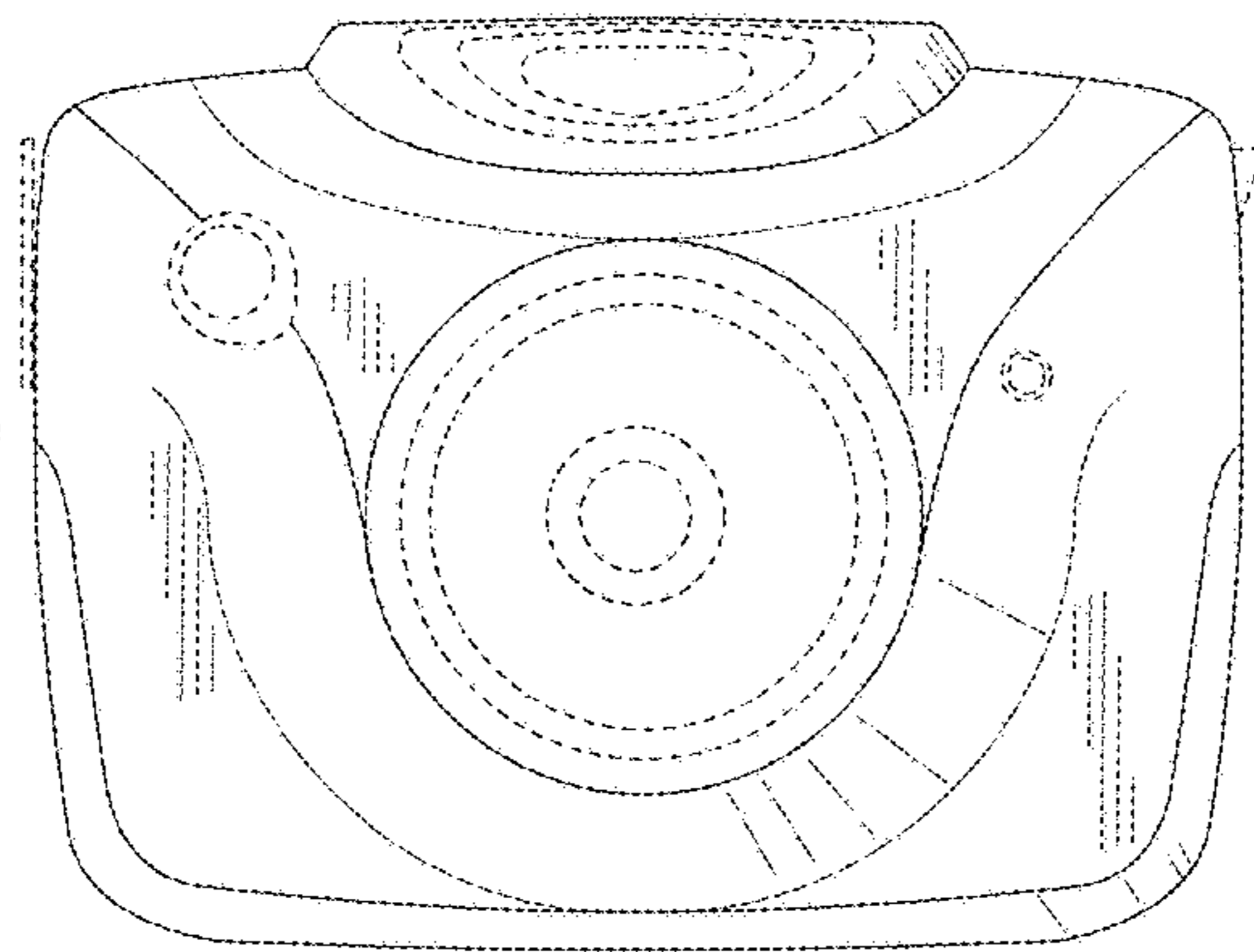


FIG.3

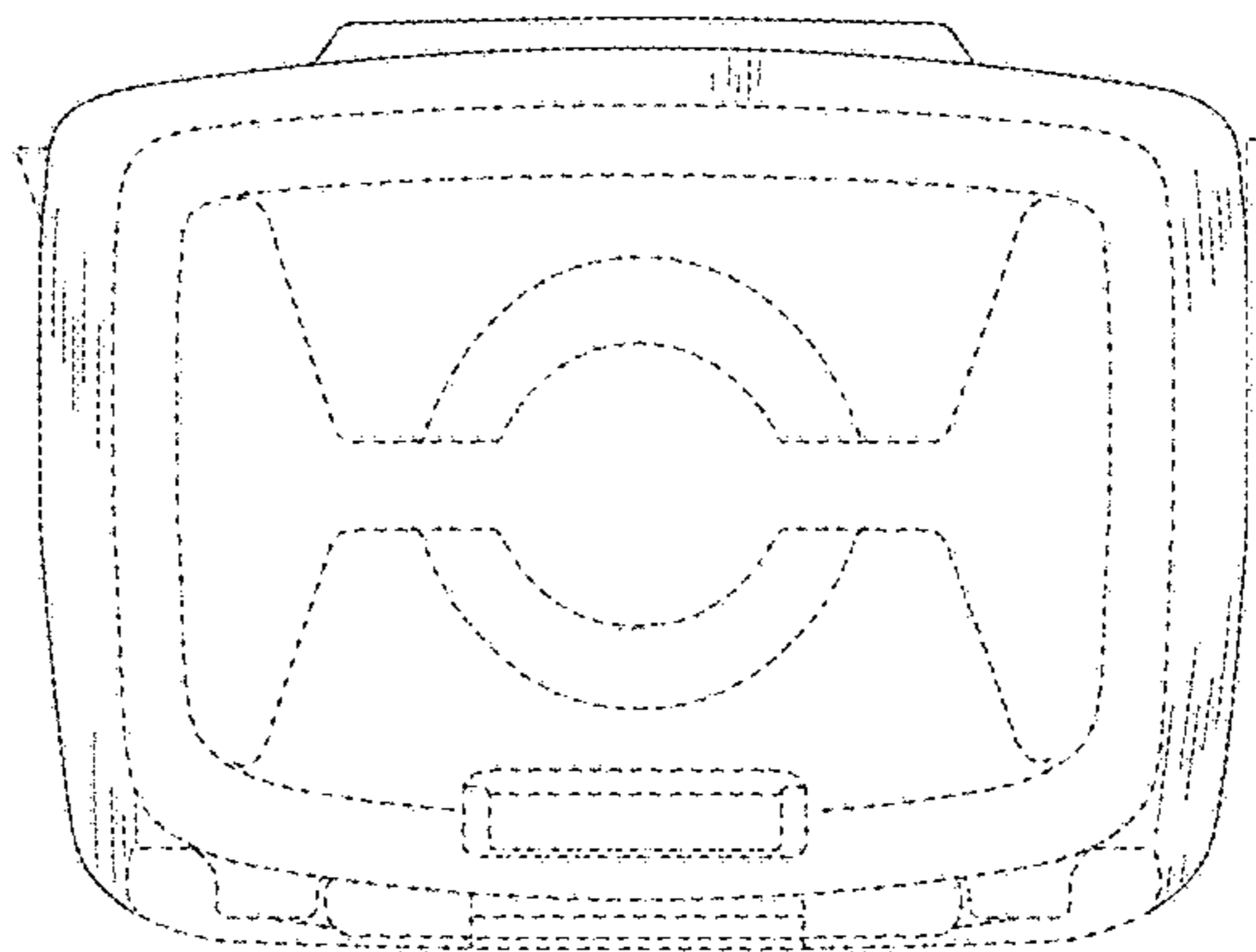


FIG. 4

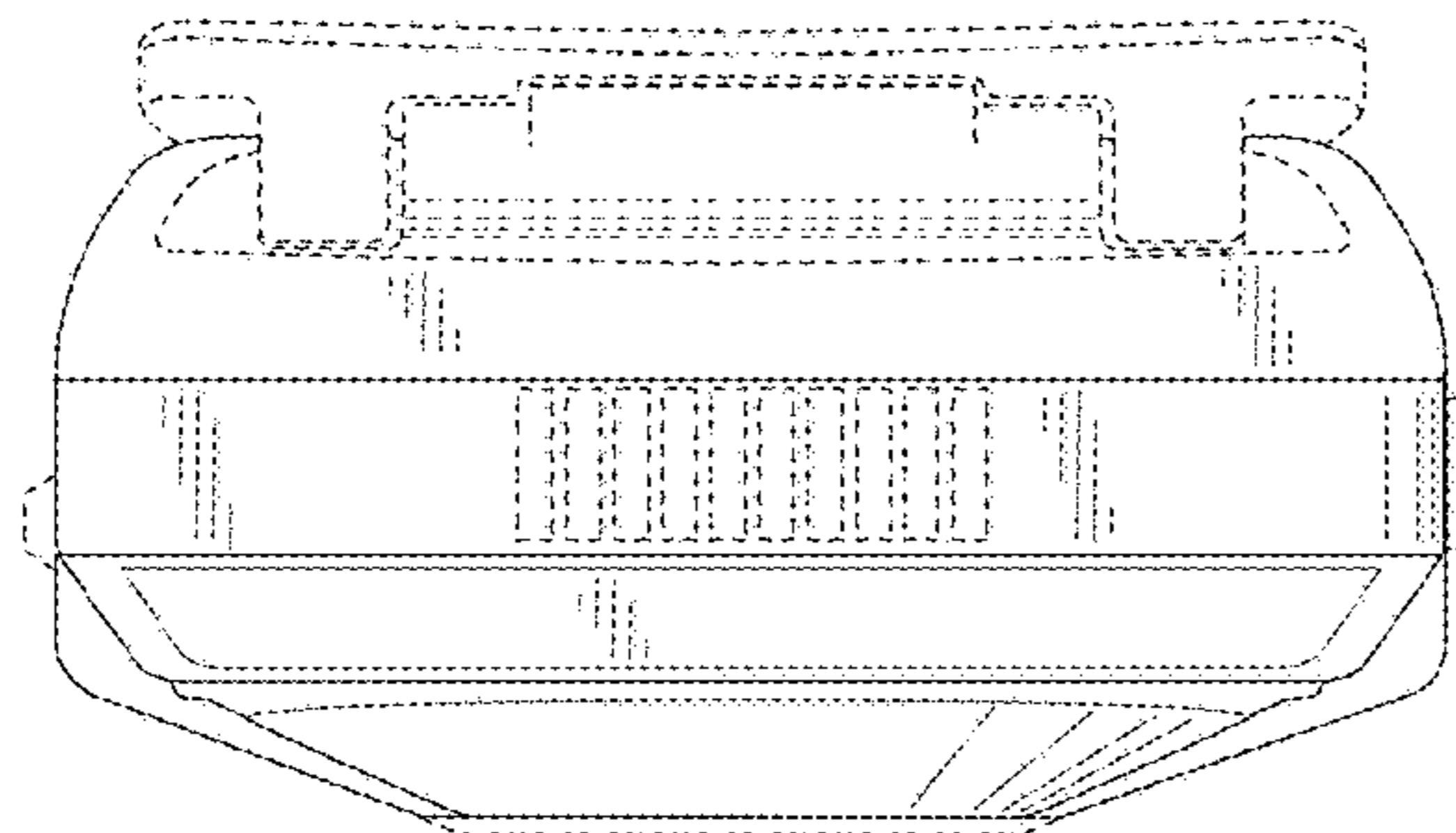
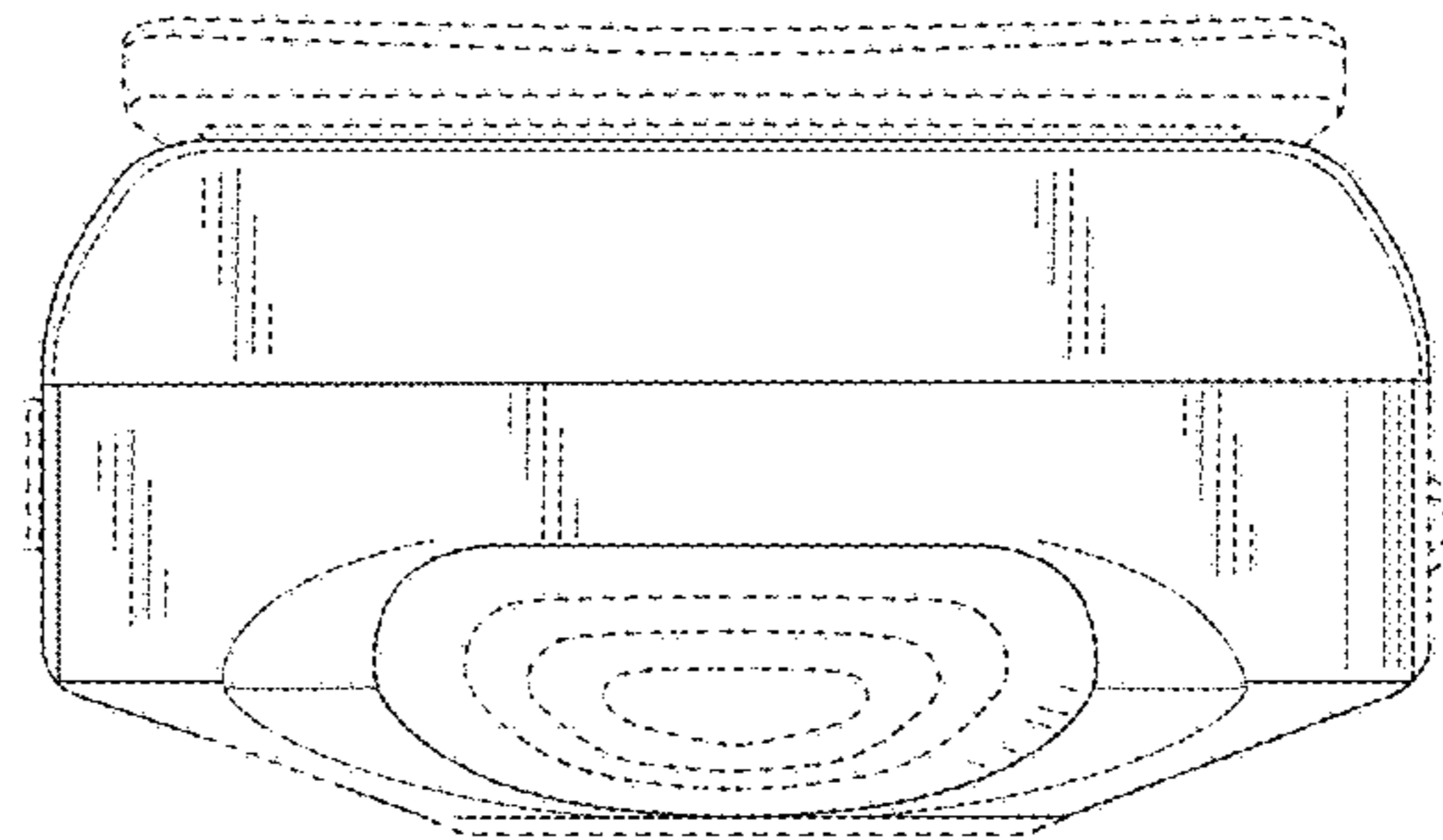


FIG. 5

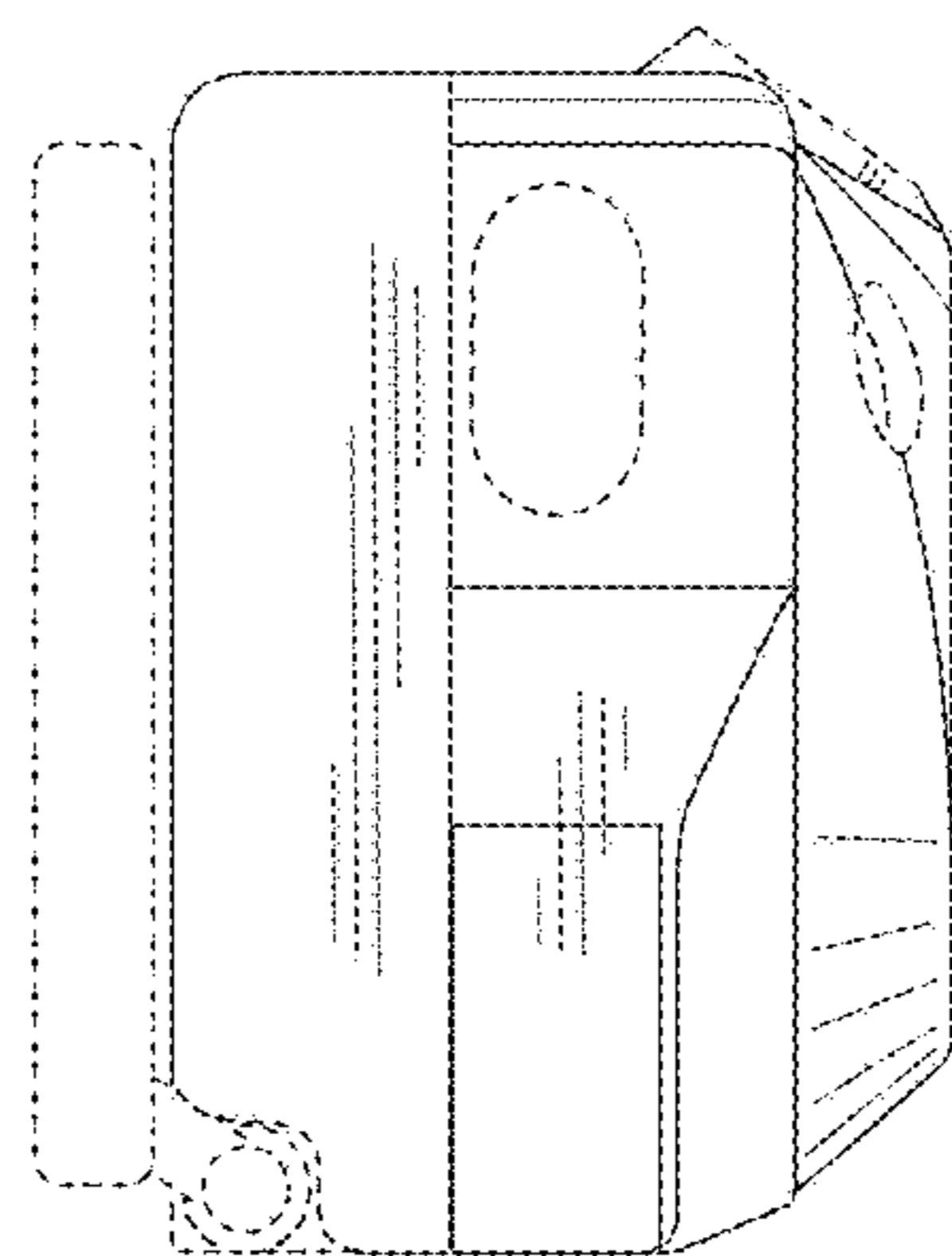


FIG. 6

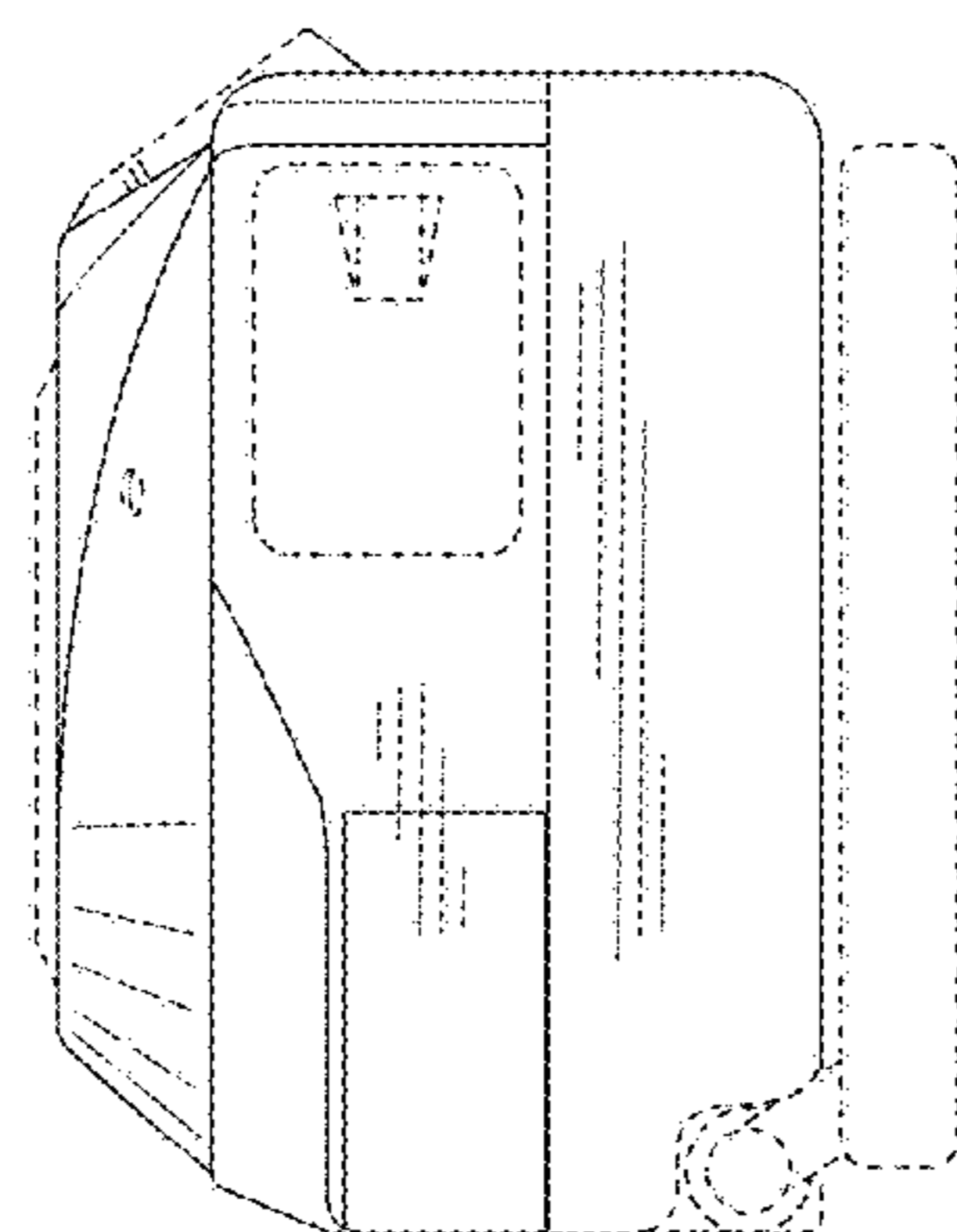


FIG. 7