



US00D843620S

(12) **United States Design Patent**
LaMarche et al.

(10) **Patent No.:** **US D843,620 S**
(45) **Date of Patent:** **** Mar. 19, 2019**

- (54) **LIGHT FIXTURE**
- (71) Applicant: **JST Performance, LLC**, Gilbert, AZ
(US)
- (72) Inventors: **Bradley J. LaMarche**, Gilbert, AZ
(US); **Johnathan J. Heiner**, Mesa, AZ
(US); **Edgar A. Madril**, Mesa, AZ
(US)
- (73) Assignee: **JST Performance, LLC**, Gilbert, AZ
(US)
- (**) Term: **15 Years**
- (21) Appl. No.: **29/623,462**
- (22) Filed: **Oct. 25, 2017**

D697,241 S *	1/2014	Chen	D26/28
D704,365 S *	5/2014	Adams	D26/28
D718,478 S *	11/2014	Adams	D26/28
D761,482 S *	7/2016	Largent	D26/118
D782,086 S *	3/2017	Graham	D26/28
D793,592 S *	8/2017	Chen	D26/28
D799,079 S *	10/2017	Dennis	D26/28
D810,330 S *	2/2018	Sibitzky	D26/28
D812,788 S *	3/2018	Sibitzky	D26/28
D815,318 S *	4/2018	LaMarche	D26/28
D827,167 S *	8/2018	Deyaf	D26/28

* cited by examiner

Primary Examiner — Angela J Lee

(57) **CLAIM**

The ornamental design for a light fixture, as shown and described.

DESCRIPTION

FIG. 1 is a front, top, right, perspective view of the light fixture showing our new design;
 FIG. 2 is a front, top, left, perspective view thereof;
 FIG. 3 is a front, bottom, right, perspective view thereof;
 FIG. 4 is a front, bottom, left, perspective view thereof;
 FIG. 5 is a right side view thereof;
 FIG. 6 is a front side view thereof; and
 FIG. 7 is a left side view thereof;
 FIG. 8 is a back side view thereof;
 FIG. 9 is a back, top, right, perspective view thereof;
 FIG. 10 is a back, top, left, perspective view thereof;
 FIG. 11 is a back, bottom, right, perspective view thereof;
 FIG. 12 is a back, bottom, left perspective view thereof;
 FIG. 13 is a top view thereof; and,
 FIG. 14 is a bottom view thereof.

The broken lines in the drawings illustrate portions of the light fixture which form no part of the claimed design.

Related U.S. Application Data

- (63) Continuation of application No. 29/565,567, filed on May 23, 2016, now Pat. No. Des. 815,318.
- (51) **LOC (11) Cl.** **26-07**
- (52) **U.S. Cl.**
USPC **D26/28**
- (58) **Field of Classification Search**
USPC D26/28, 29, 30, 31, 32, 33, 34, 35, 36;
362/459-468, 475-478, 485-487
CPC F21S 48/00; F21S 48/10; F21S 48/115;
F21S 48/225; F21S 48/1233; F21S
48/1266; F21S 48/1388; F21S 48/2268;
F21V 21/04
See application file for complete search history.

(56) **References Cited**

U.S. PATENT DOCUMENTS

D643,955 S *	8/2011	Tsai	D26/28
D675,758 S *	2/2013	Adams	D26/28

1 Claim, 14 Drawing Sheets



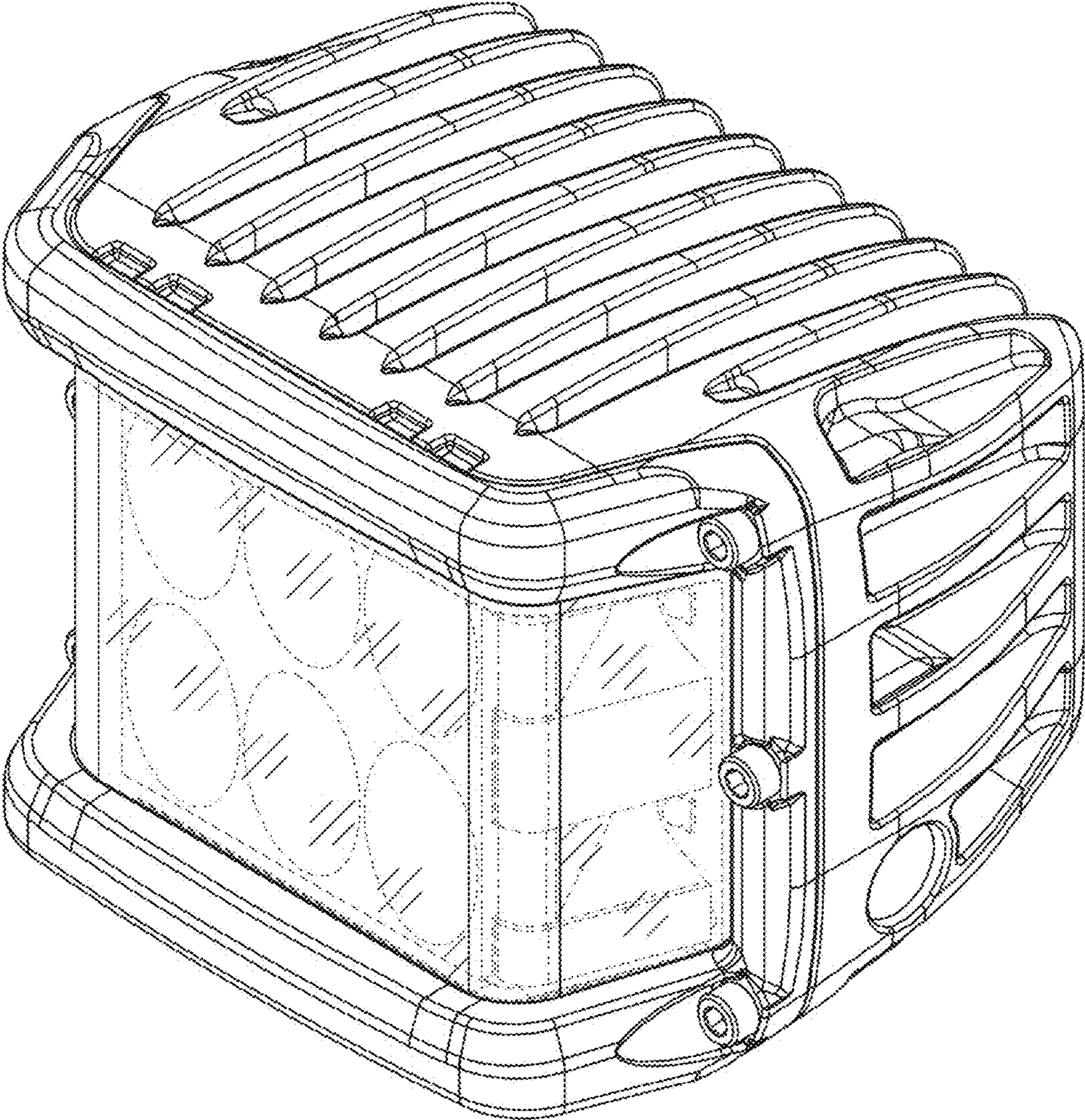


FIG. 1



FIG. 2

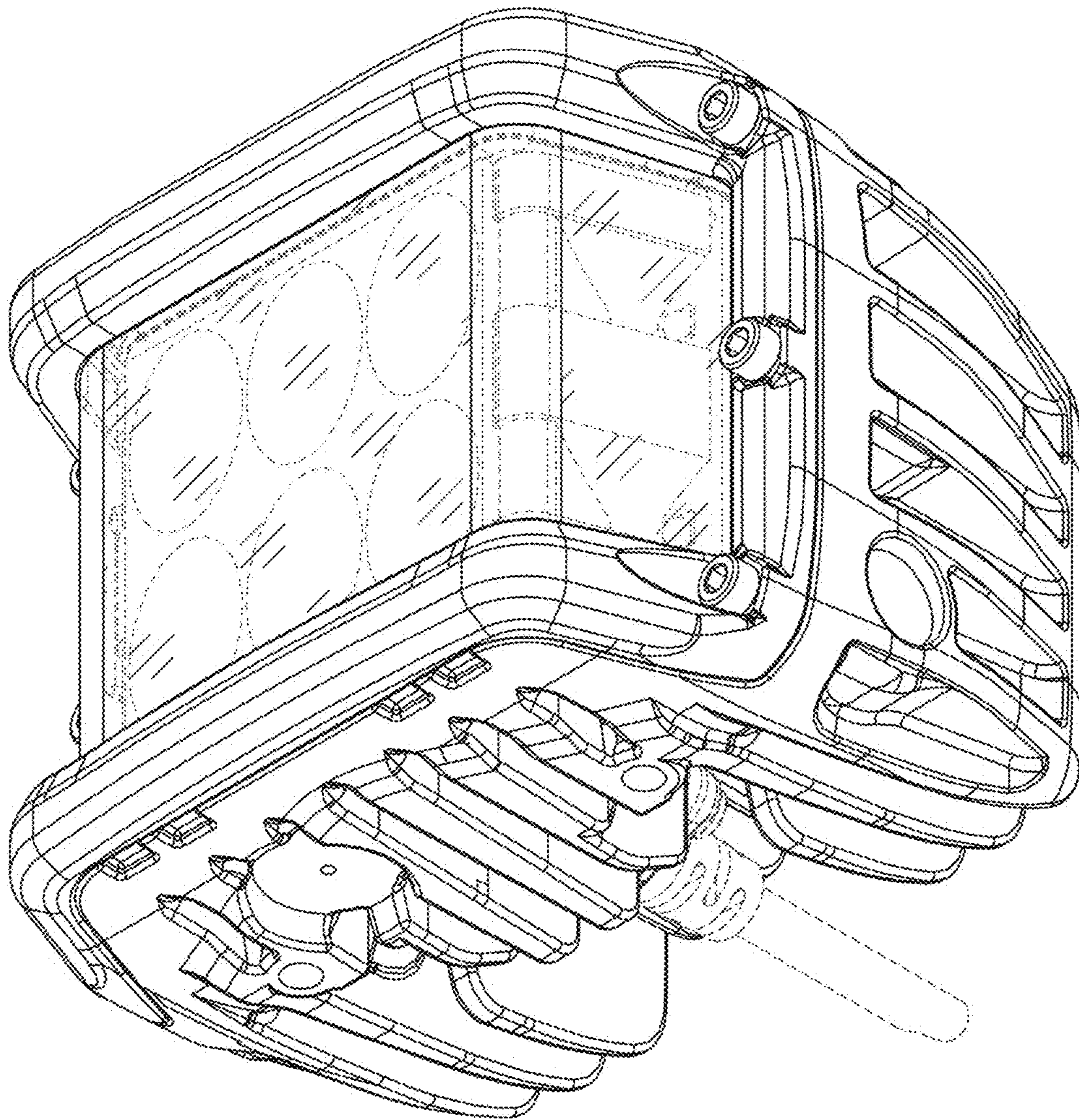


FIG. 3

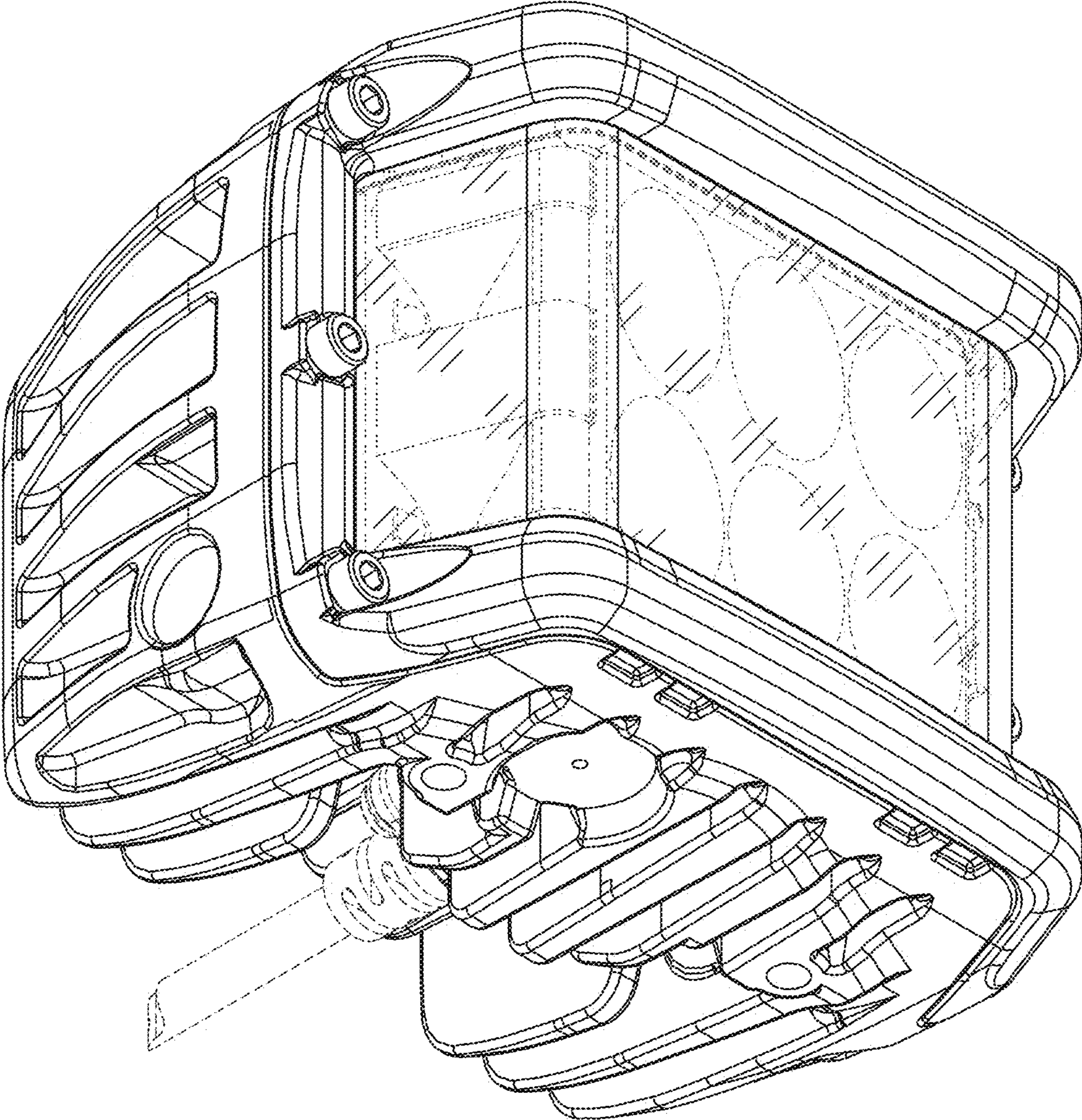


FIG. 4

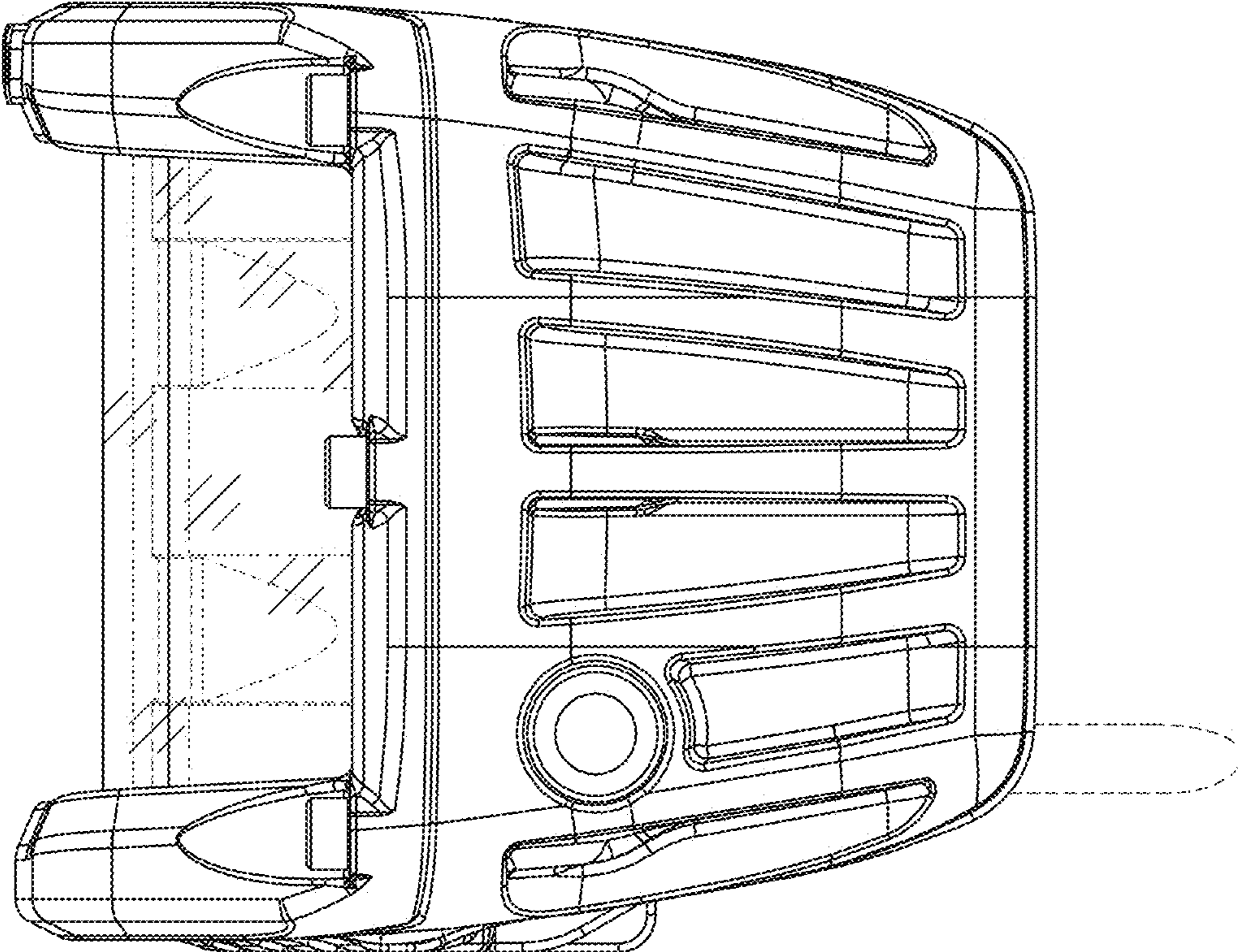


FIG. 5

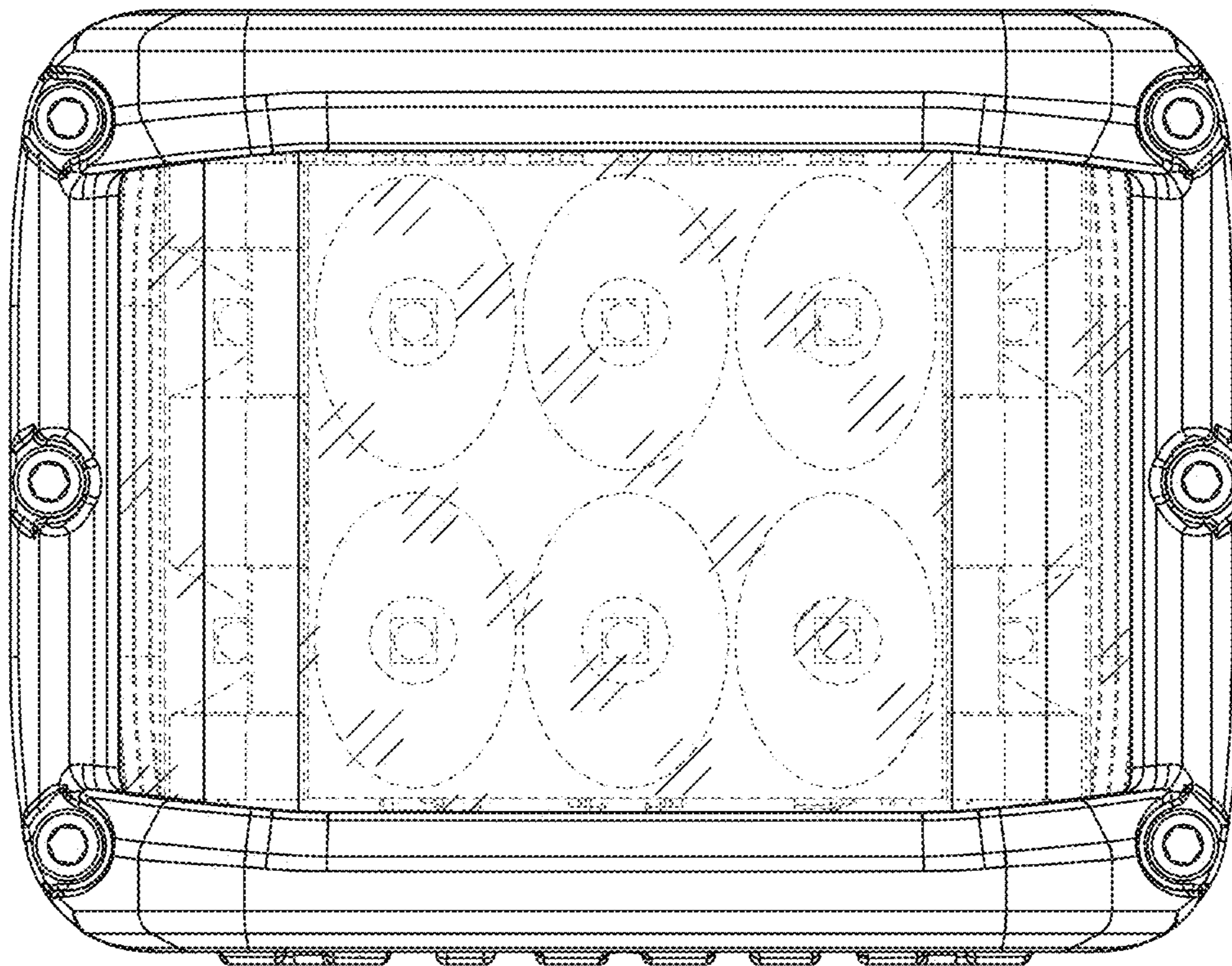


FIG. 6

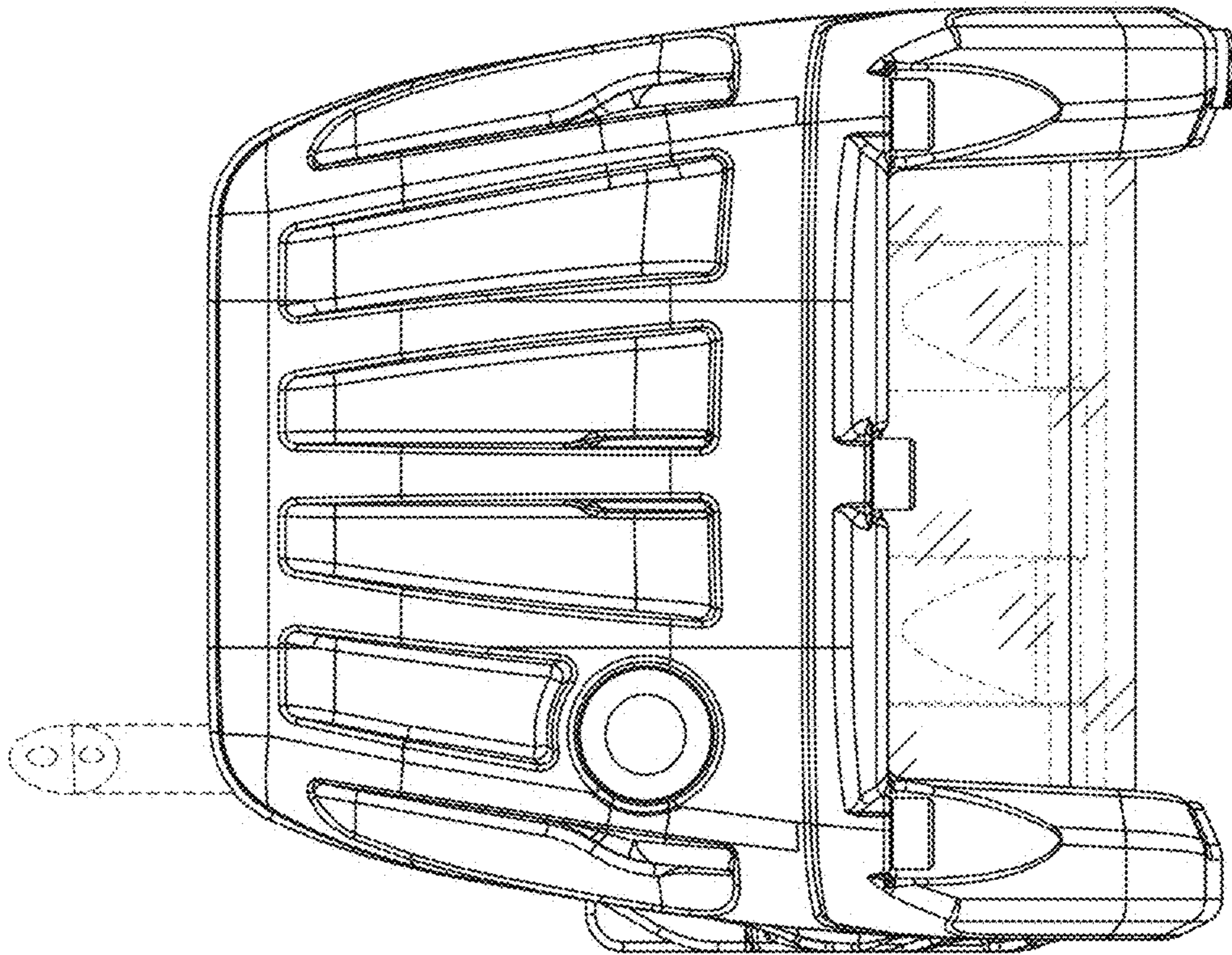


FIG. 7

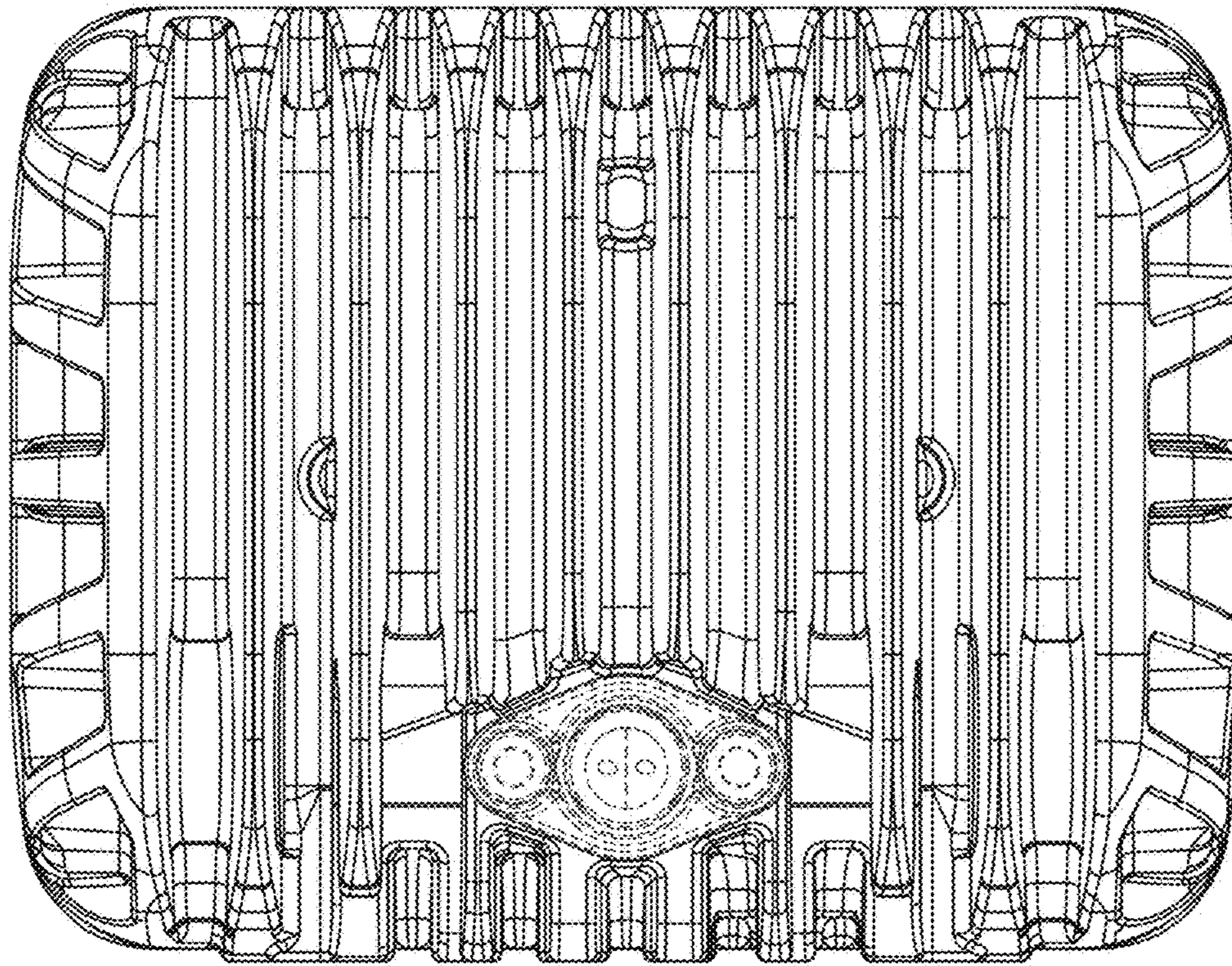


FIG. 8

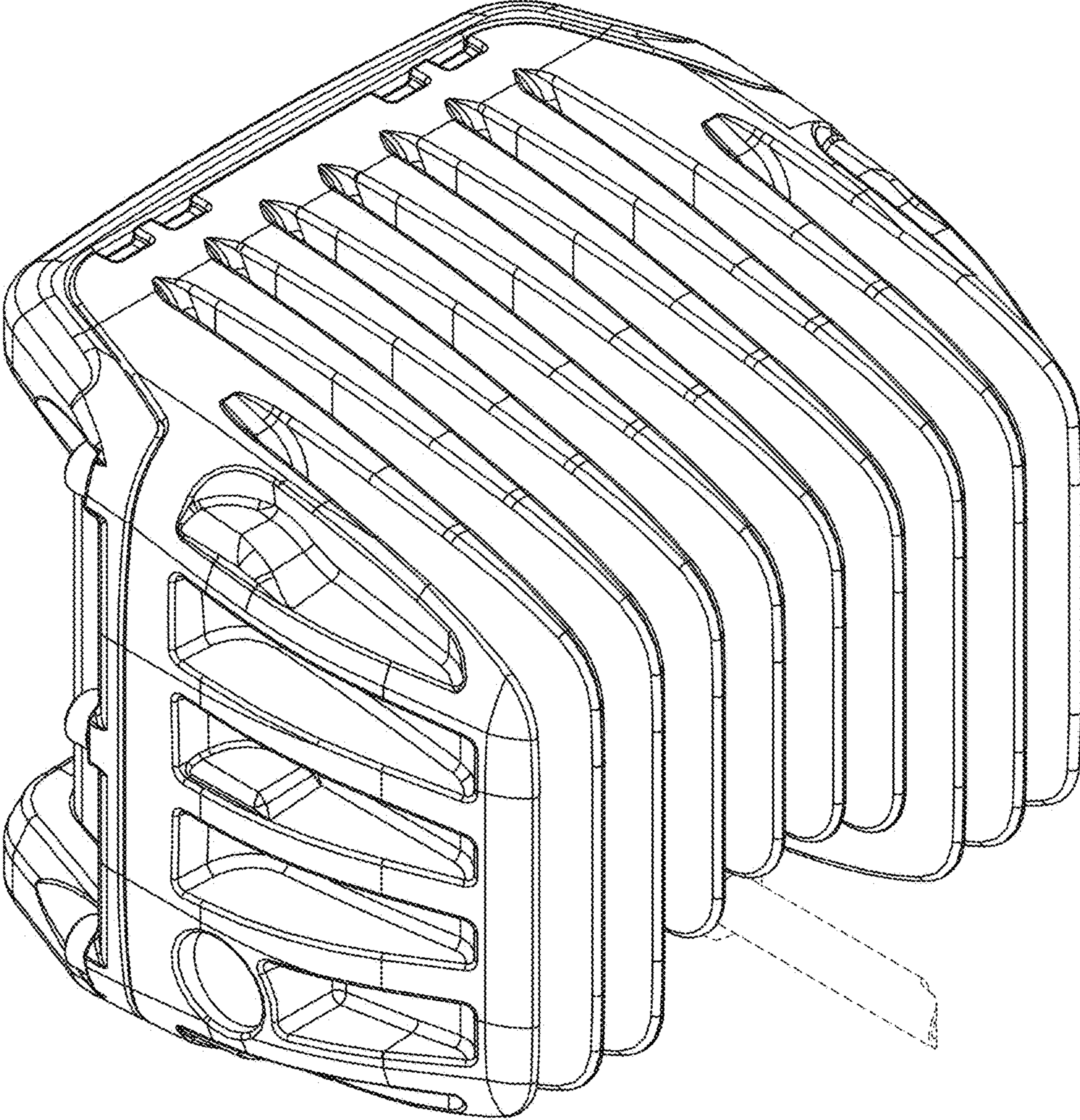


FIG. 9

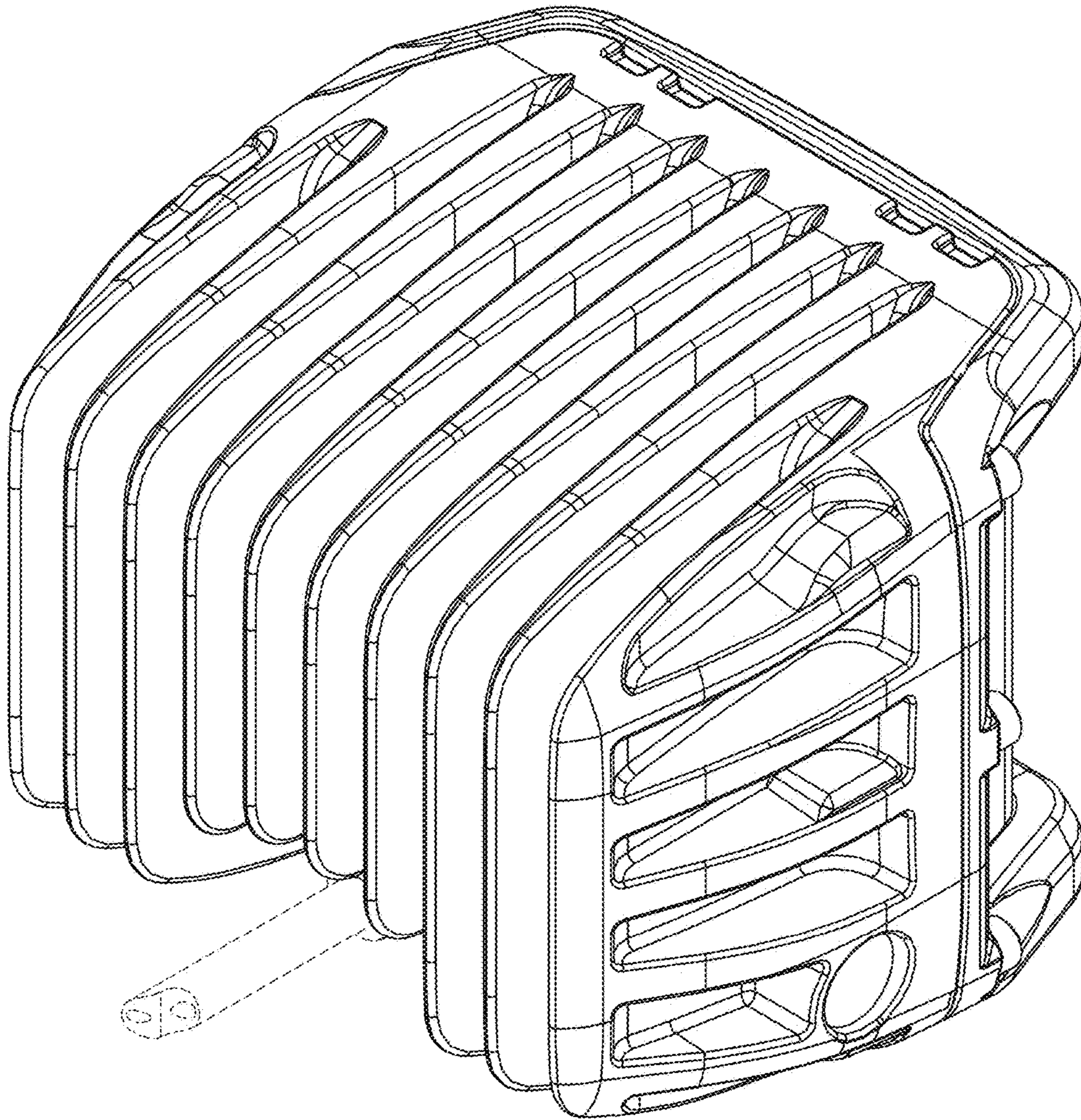


FIG. 10

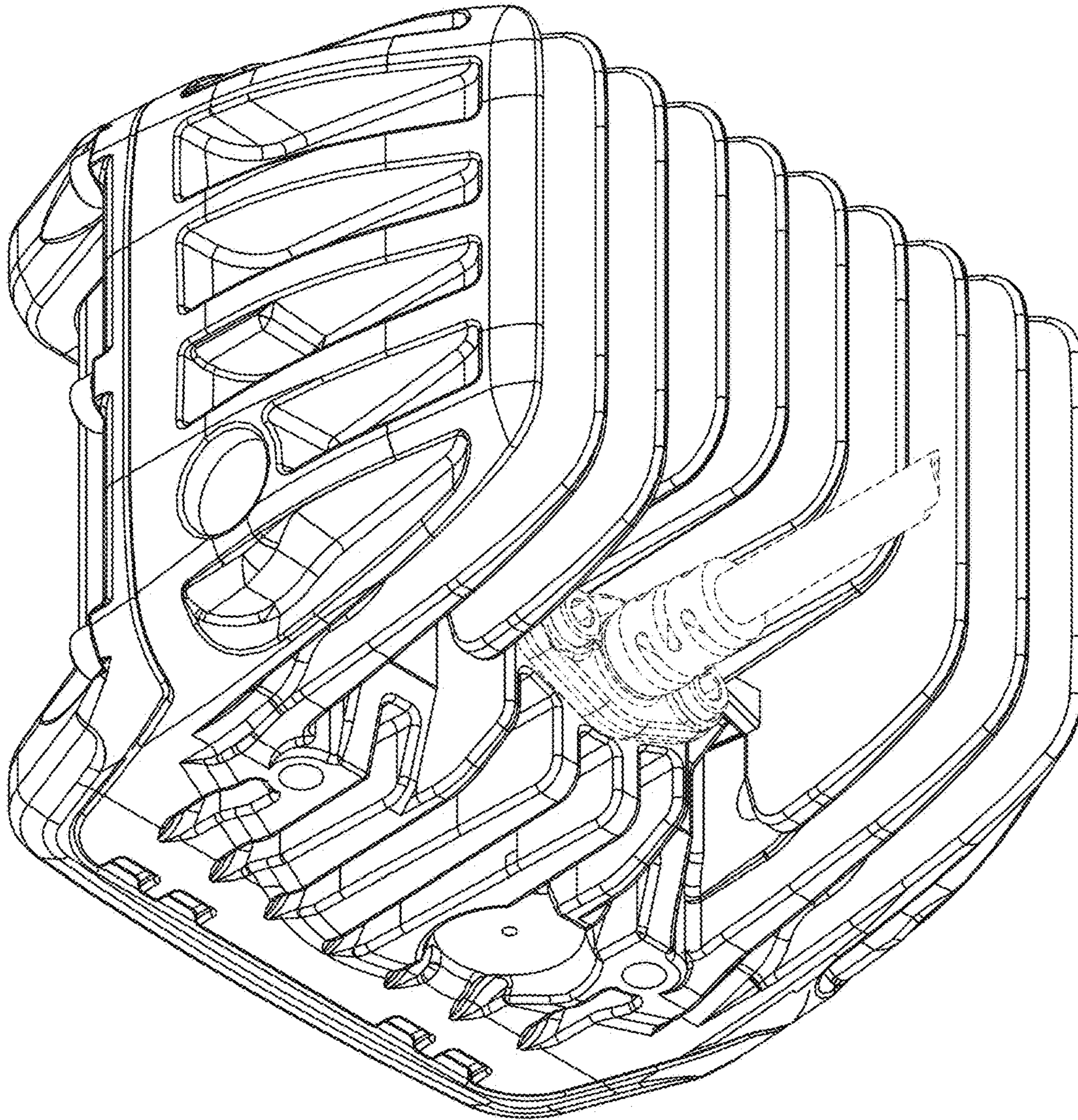


FIG. 11

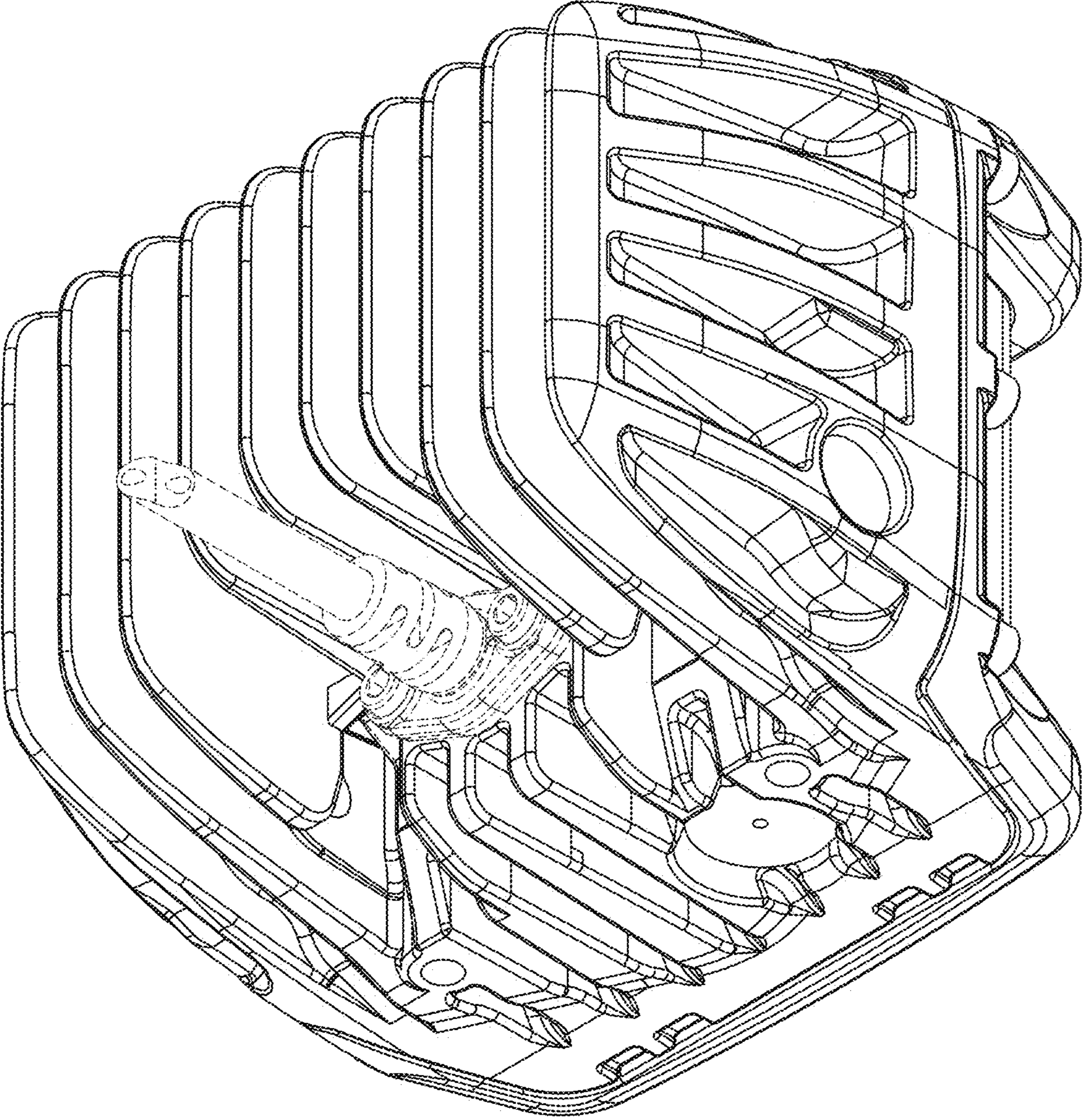


FIG. 12

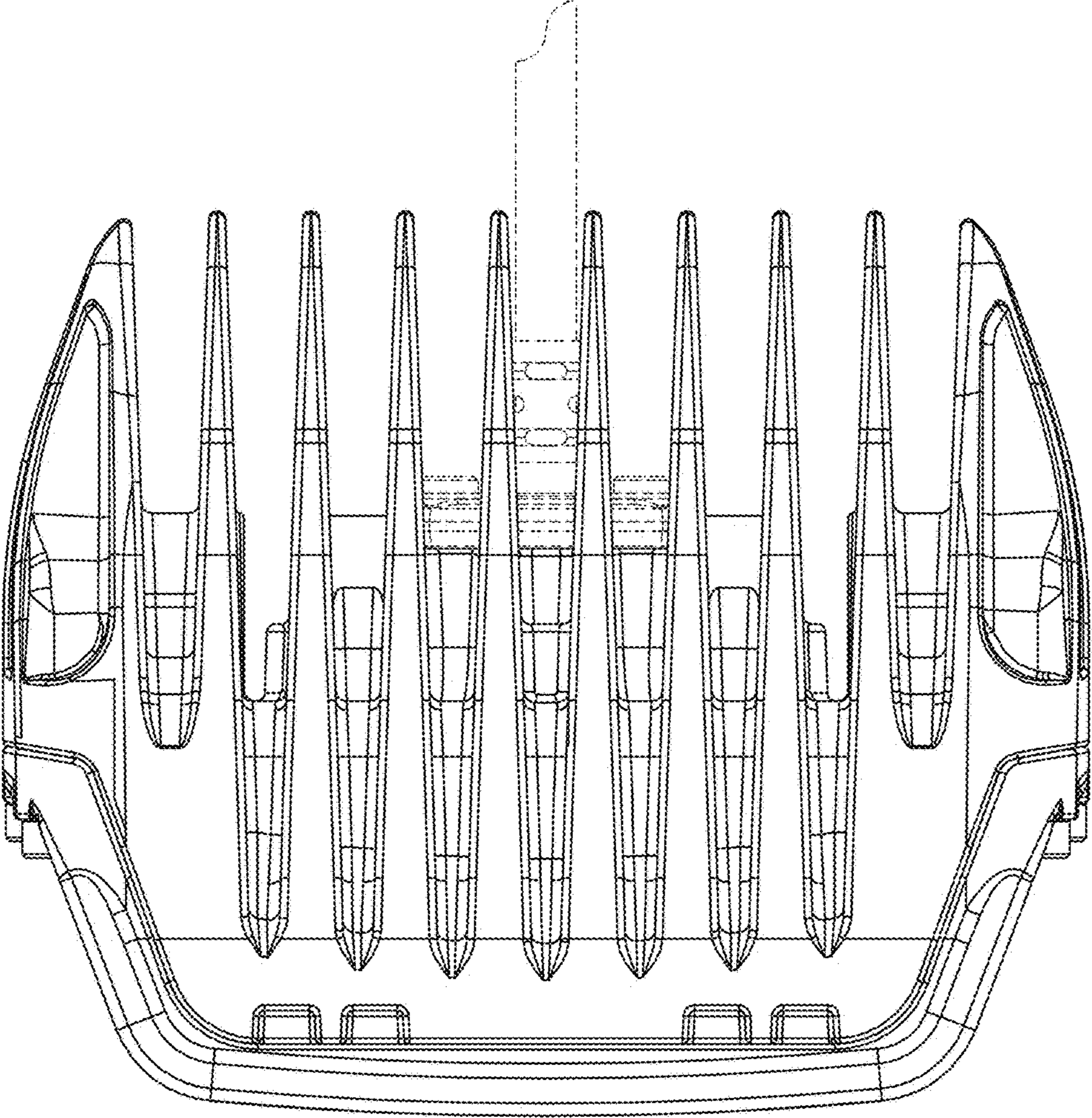


FIG. 13

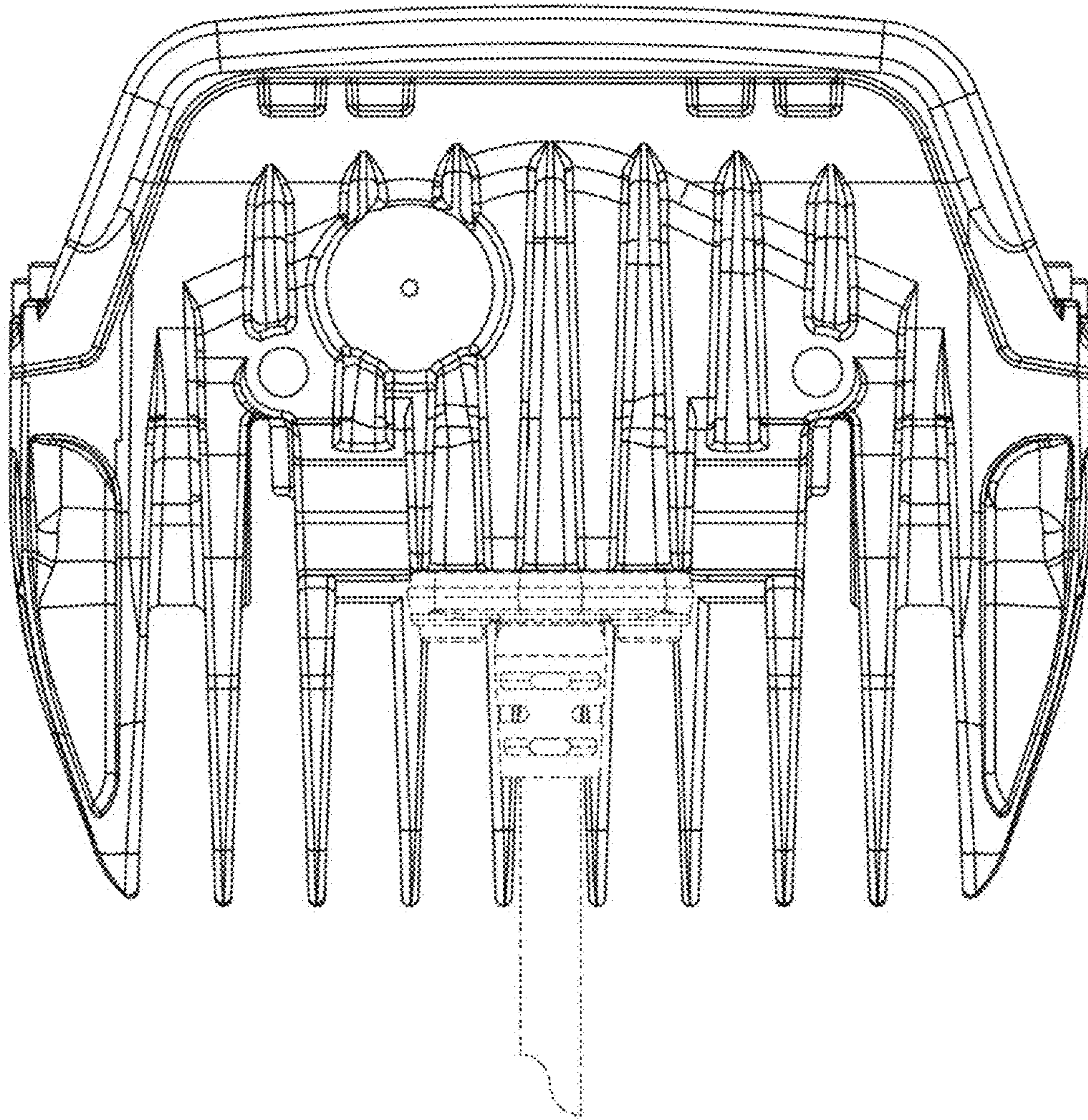


FIG. 14