

US00D843618S

(12) **United States Design Patent**  
**Sibitzky et al.**

(10) **Patent No.:** **US D843,618 S**

(45) **Date of Patent:** **\*\* Mar. 19, 2019**

(54) **LIGHT FIXTURE**

(71) Applicant: **JST Performance, LLC**, Gilbert, AZ  
(US)

(72) Inventors: **Pete D. Sibitzky**, Lakeside, CA (US);  
**Bradley J. LaMarche**, Gilbert, AZ  
(US); **Edgar A. Madril**, Mesa, AZ  
(US)

(73) Assignee: **JST Performance, LLC**, Gilbert, AZ  
(US)

(\*\*) Term: **15 Years**

(21) Appl. No.: **29/618,291**

(22) Filed: **Sep. 20, 2017**

**Related U.S. Application Data**

(63) Continuation of application No. 29/565,489, filed on  
May 20, 2016, now Pat. No. Des. 810,330.

(51) **LOC (11) Cl.** ..... **26-07**

(52) **U.S. Cl.**  
USPC ..... **D26/28**

(58) **Field of Classification Search**  
USPC ..... D26/28, 29, 30, 31, 32, 33, 34, 35, 36;  
362/459-468, 475-478, 485-487  
CPC ..... F21S 48/00; F21S 48/10; F21S 48/115;  
F21S 48/225; F21S 48/1233; F21S  
48/1266; F21S 48/1388; F21S 48/2268;  
F21V 21/04

See application file for complete search history.

(56) **References Cited**

**U.S. PATENT DOCUMENTS**

D545,981 S \* 7/2007 Main ..... D26/28  
D643,955 S \* 8/2011 Tsai ..... D26/28  
D675,758 S \* 2/2013 Adams ..... D26/28  
D697,241 S \* 1/2014 Chen ..... D26/28

D704,364 S \* 5/2014 Adams ..... D26/28  
D704,365 S \* 5/2014 Adams ..... D26/28  
D708,778 S \* 7/2014 Sibitzky ..... D26/118  
D718,478 S \* 11/2014 Adams ..... D26/28  
D722,186 S \* 2/2015 Epmeier ..... D26/28  
D732,219 S \* 6/2015 Adams ..... D26/63  
D738,019 S \* 9/2015 Lin ..... D26/28  
D740,997 S \* 10/2015 Chang ..... D26/118  
D747,030 S \* 1/2016 Pfund ..... F21V 21/00  
D26/138  
D759,272 S \* 6/2016 Fan ..... D26/28  
D761,482 S \* 7/2016 Largent ..... D26/118  
D770,078 S \* 10/2016 Largent ..... D26/118  
D775,402 S \* 12/2016 Sibitzky ..... D26/118

(Continued)

*Primary Examiner* — Angela J Lee

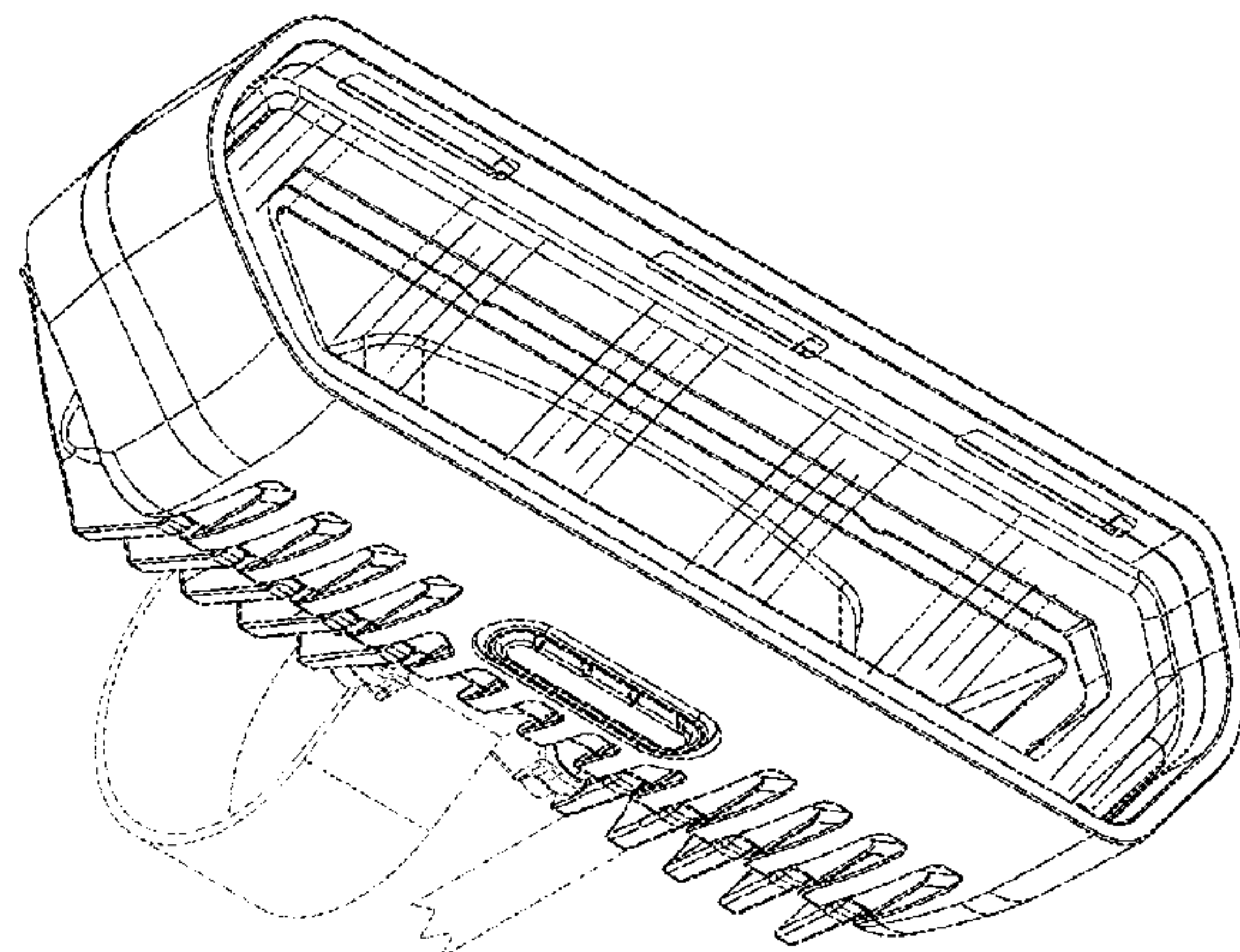
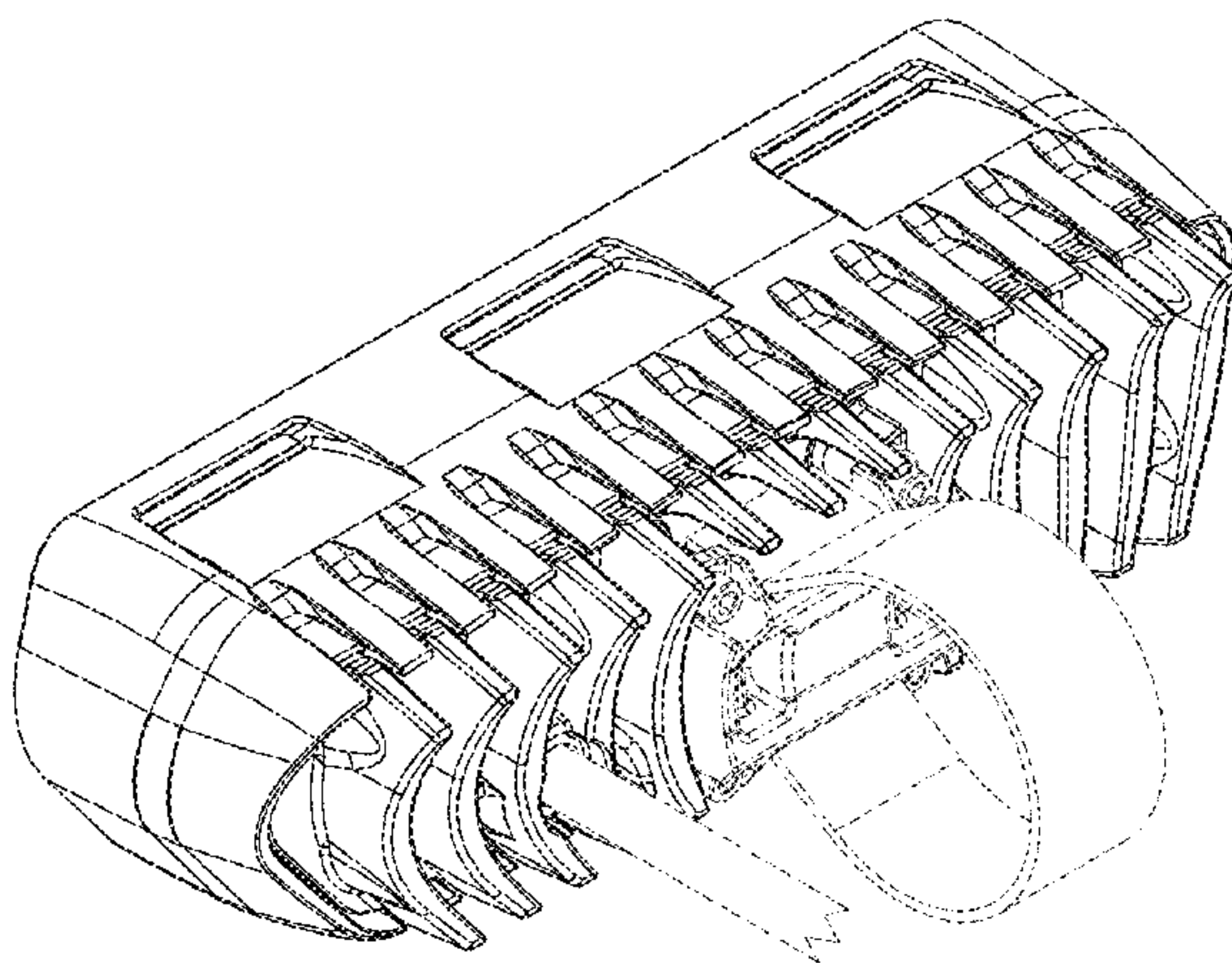
(57) **CLAIM**

The ornamental design for a light fixture, as shown and described.

**DESCRIPTION**

FIG. 1 is a back, top, right, perspective view of a light fixture showing our new design;  
FIG. 2 is a back, top, left, perspective view thereof;  
FIG. 3 is a back, bottom, right, perspective view thereof;  
FIG. 4 is a back, bottom, left perspective view thereof;  
FIG. 5 is a back side view thereof;  
FIG. 6 is a right side view thereof;  
FIG. 7 is a left side view thereof;  
FIG. 8 is a top view thereof;  
FIG. 9 is a bottom view thereof;  
FIG. 10 is a front, top, right, perspective view thereof;  
FIG. 11 is a front, top, left, perspective view thereof;  
FIG. 12 is a front, bottom, right, perspective view thereof;  
FIG. 13 is a front, bottom, left, perspective view thereof;  
and,  
FIG. 14 is a front side view thereof.  
The broken lines in the drawings illustrate portions of the light fixture which form no part of the claimed design.

**1 Claim, 14 Drawing Sheets**



(56)

**References Cited**

U.S. PATENT DOCUMENTS

D775,404 S	*	12/2016	Adams .....	D26/118
D780,964 S	*	3/2017	Roach .....	D26/28
D782,086 S	*	3/2017	Graham .....	D26/28
D782,092 S	*	3/2017	Heiner .....	D26/63
D793,592 S	*	8/2017	Chen .....	D26/28
D810,330 S	*	2/2018	Sibitzky .....	D26/28
D812,788 S	*	3/2018	Sibitzky .....	D26/28
D815,318 S	*	4/2018	LaMarche .....	D26/28
D827,167 S	*	8/2018	Deyaf .....	D26/28

\* cited by examiner



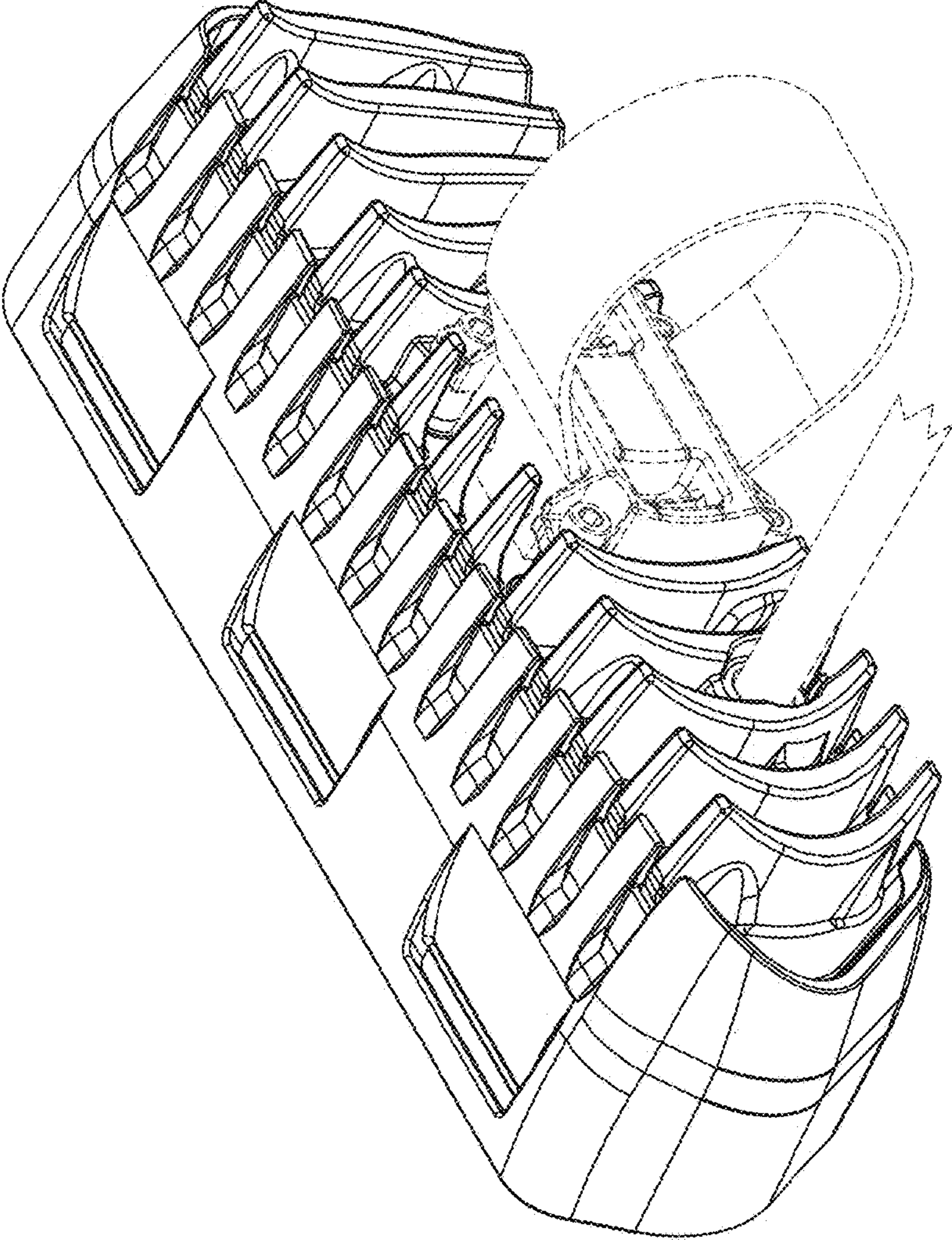


FIG. 1

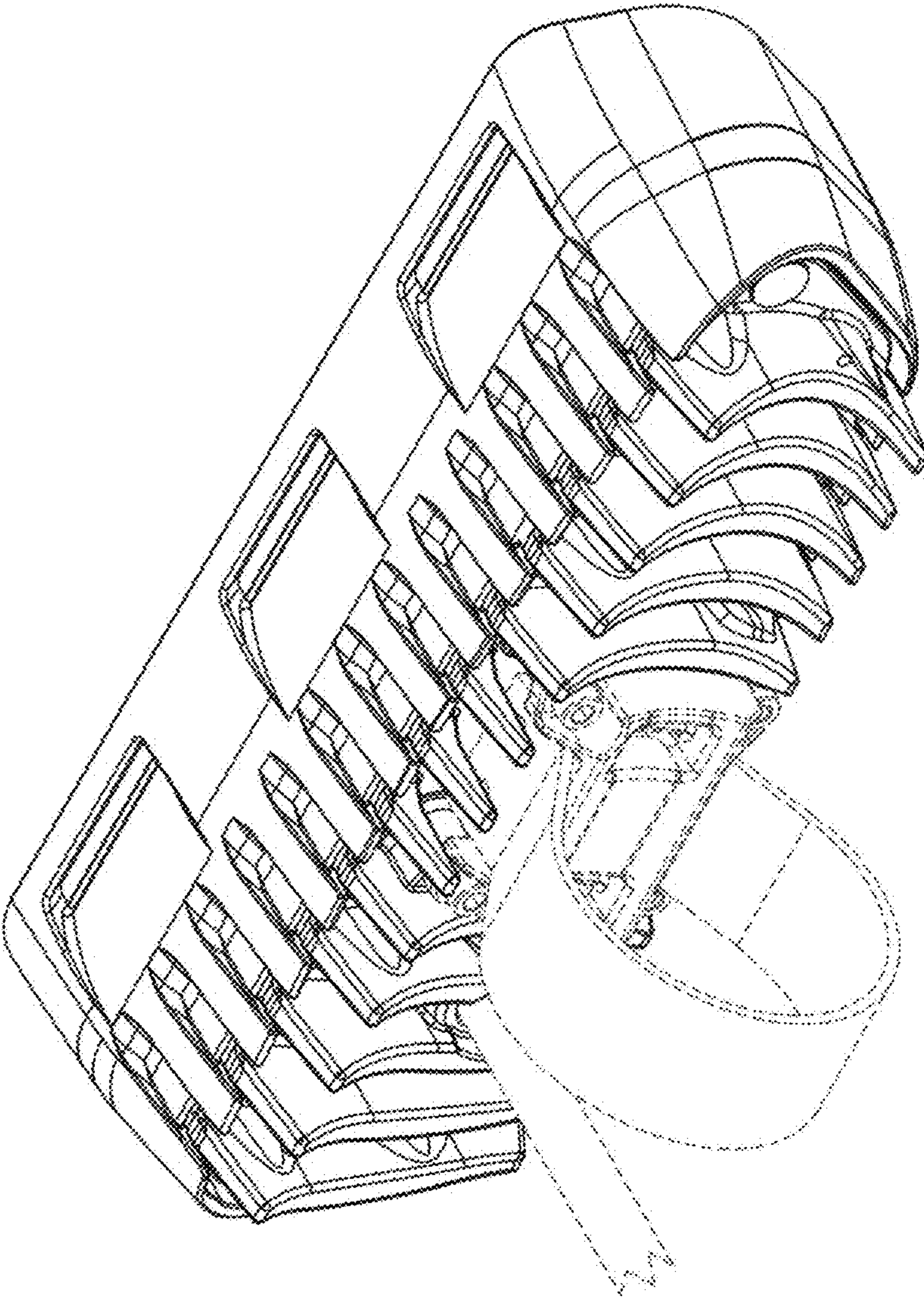


FIG. 2

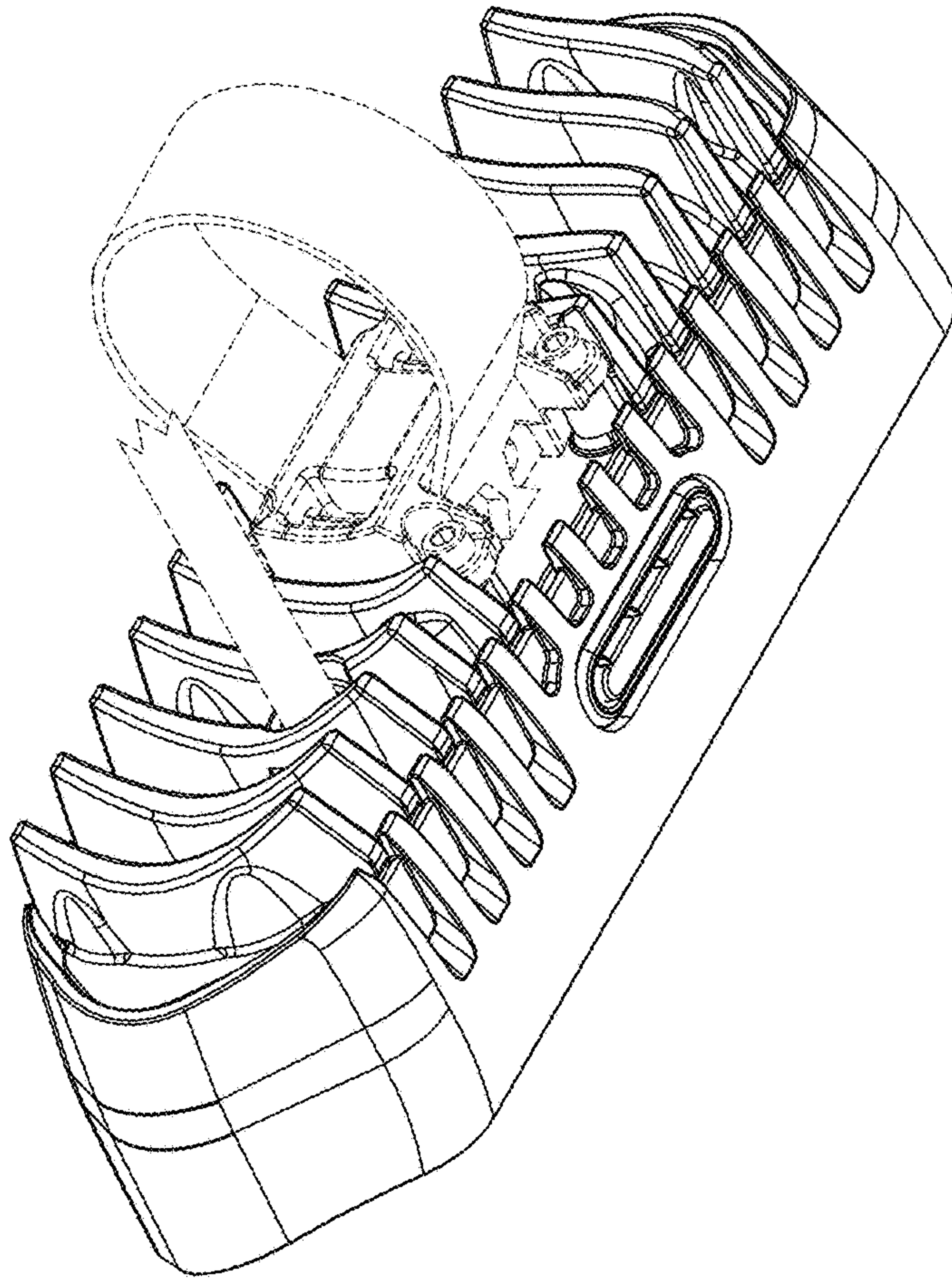


FIG. 3



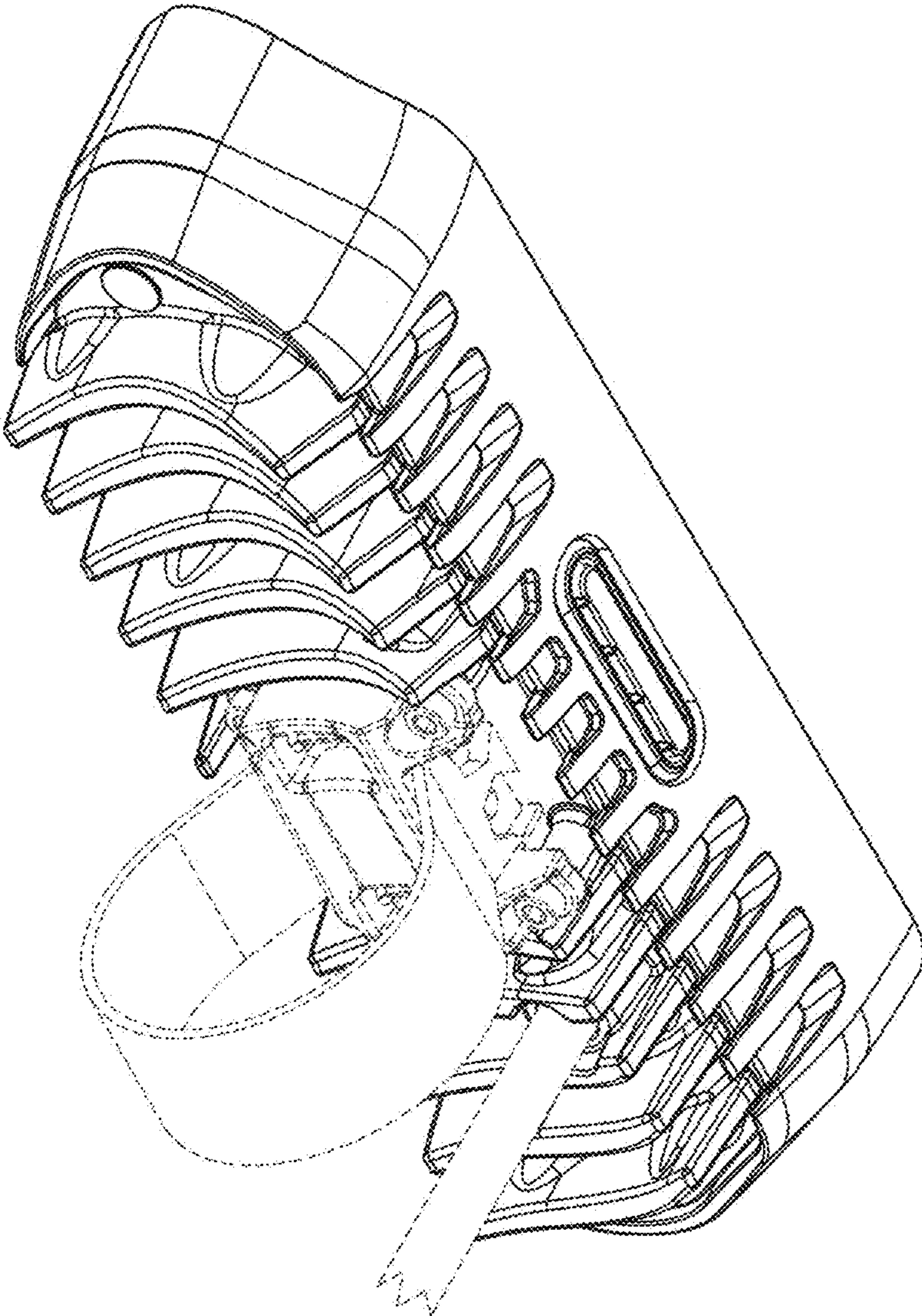


FIG. 4

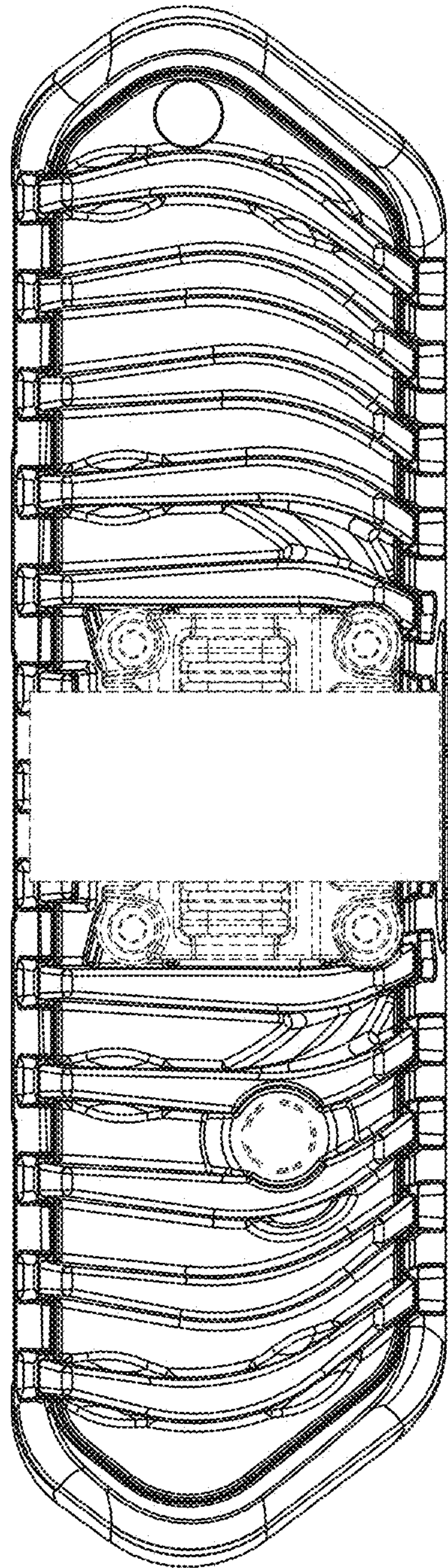


FIG. 5

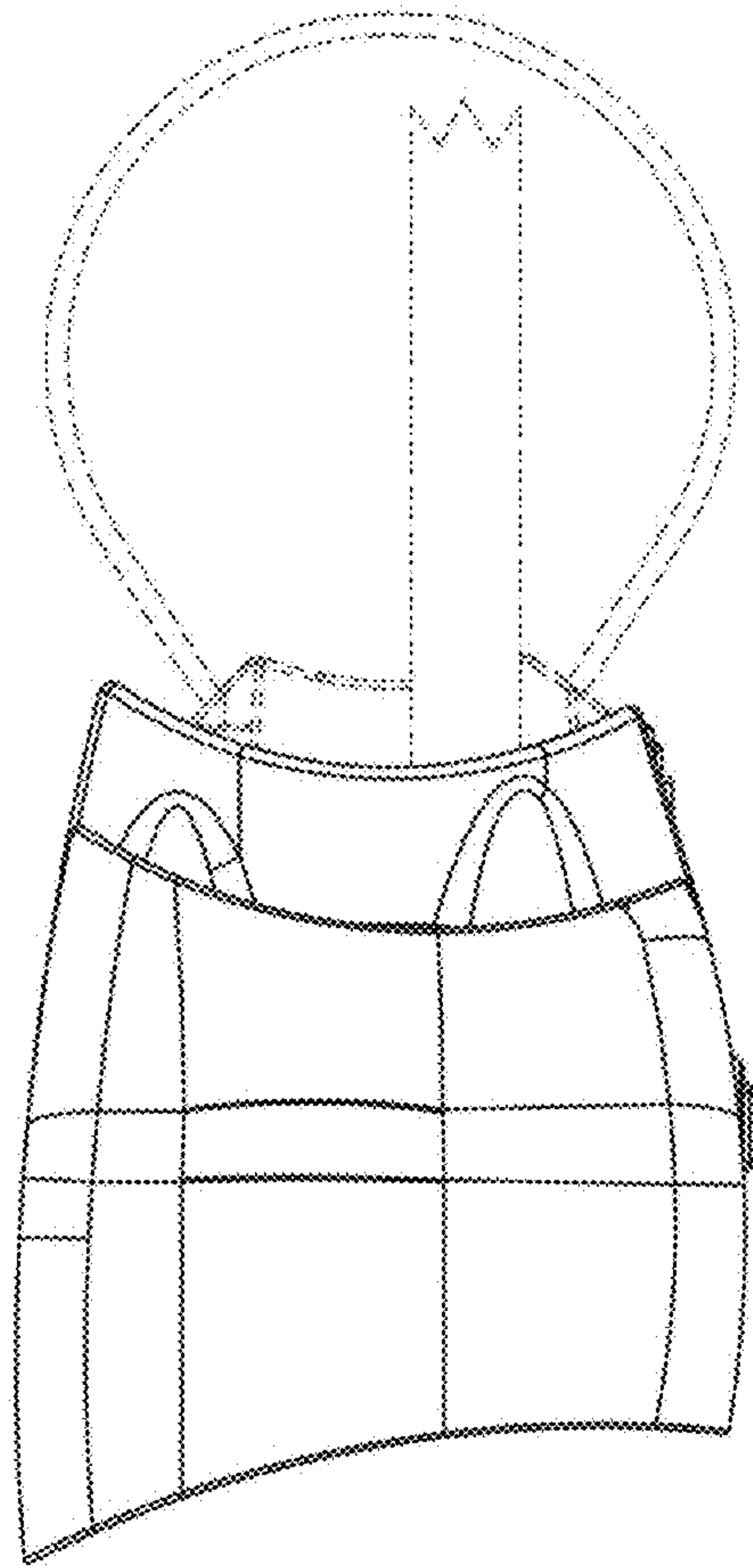


FIG. 6



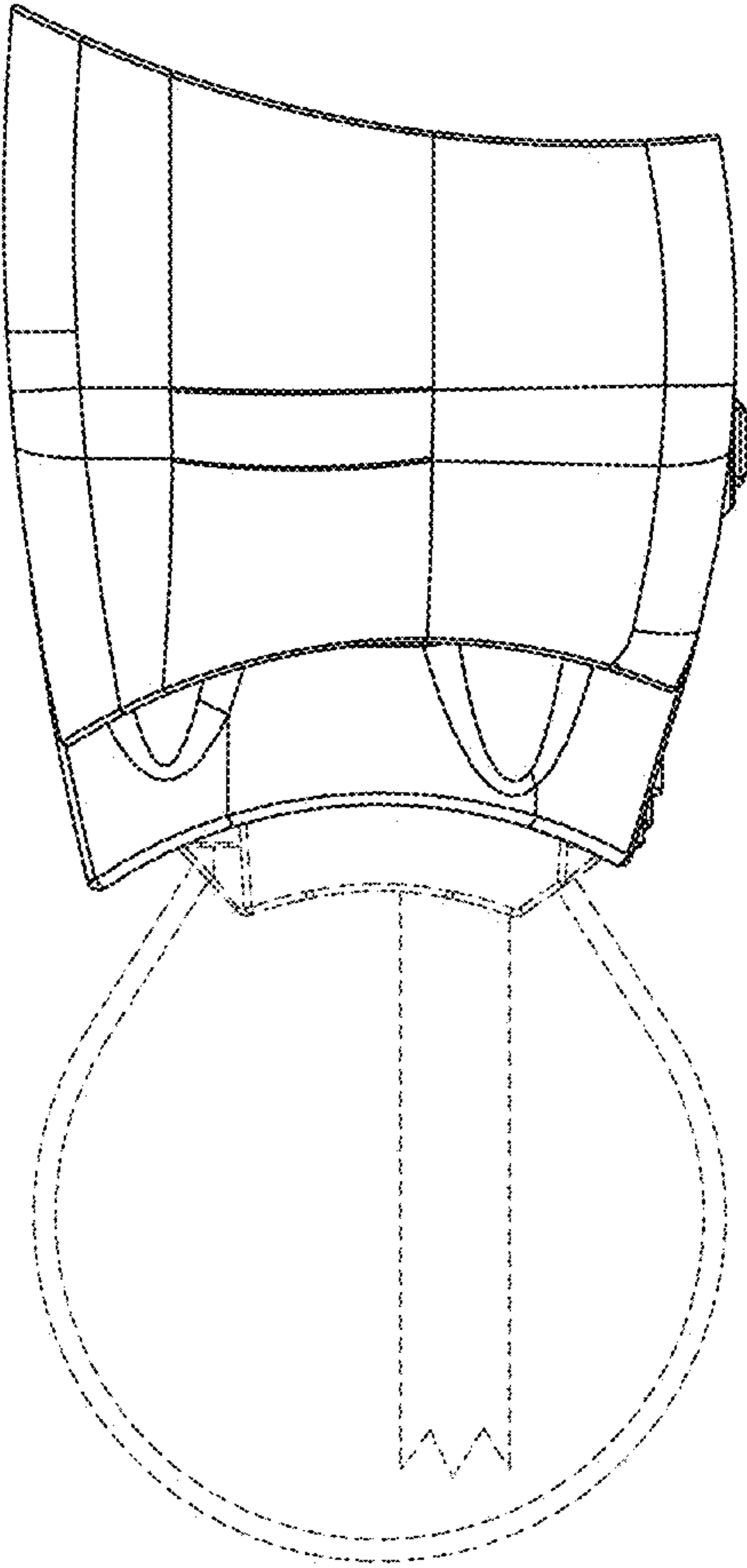


FIG. 7

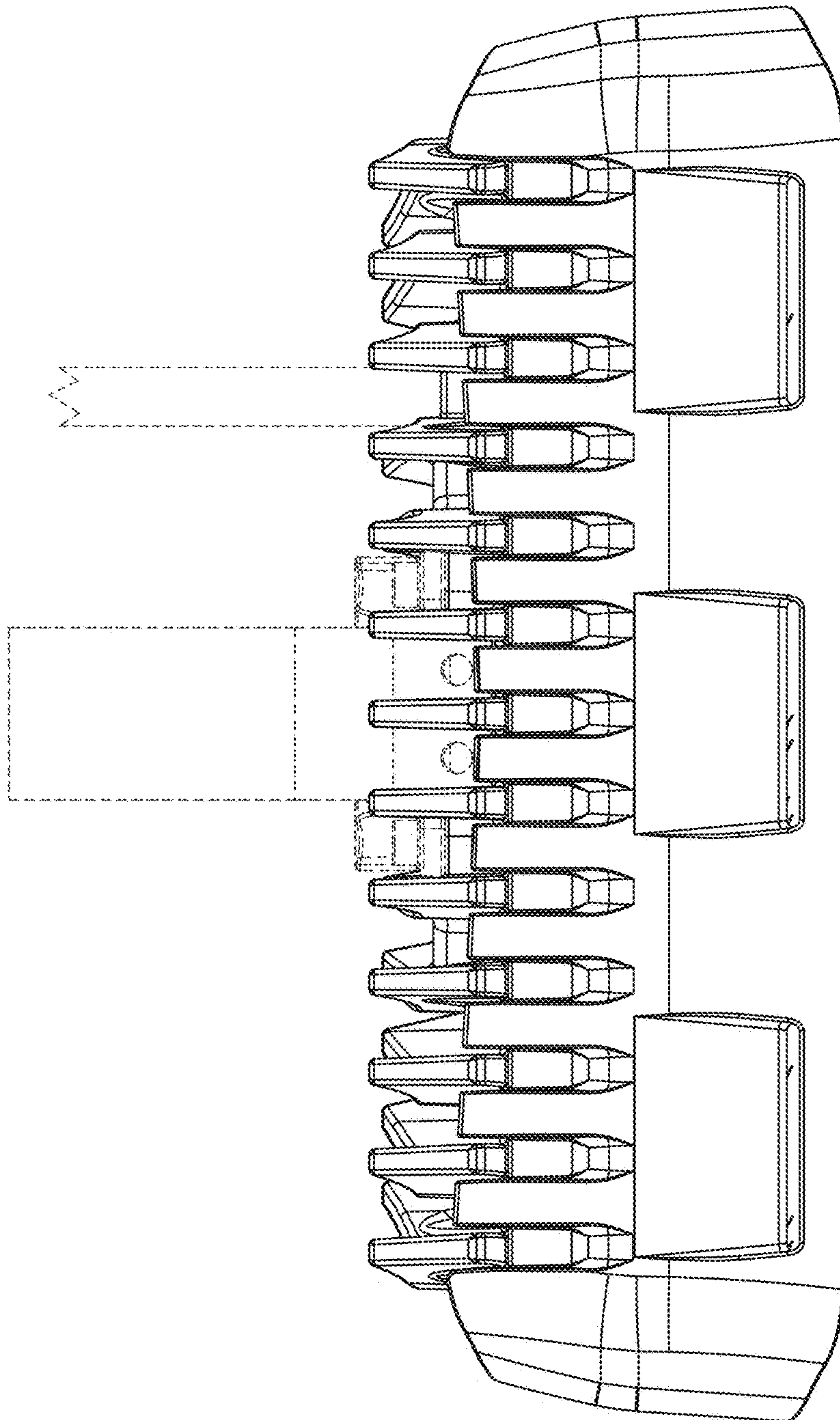


FIG. 8

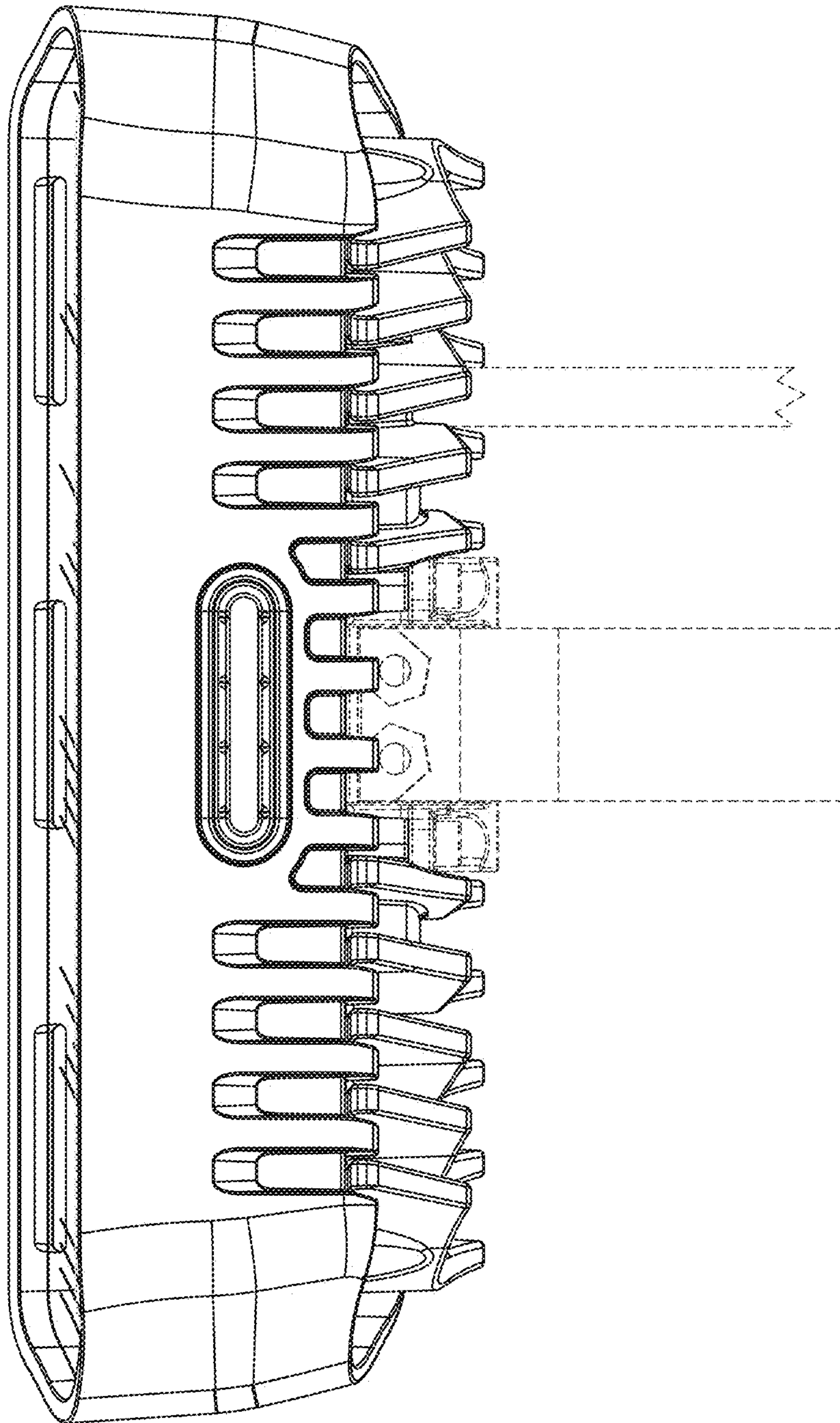


FIG. 9



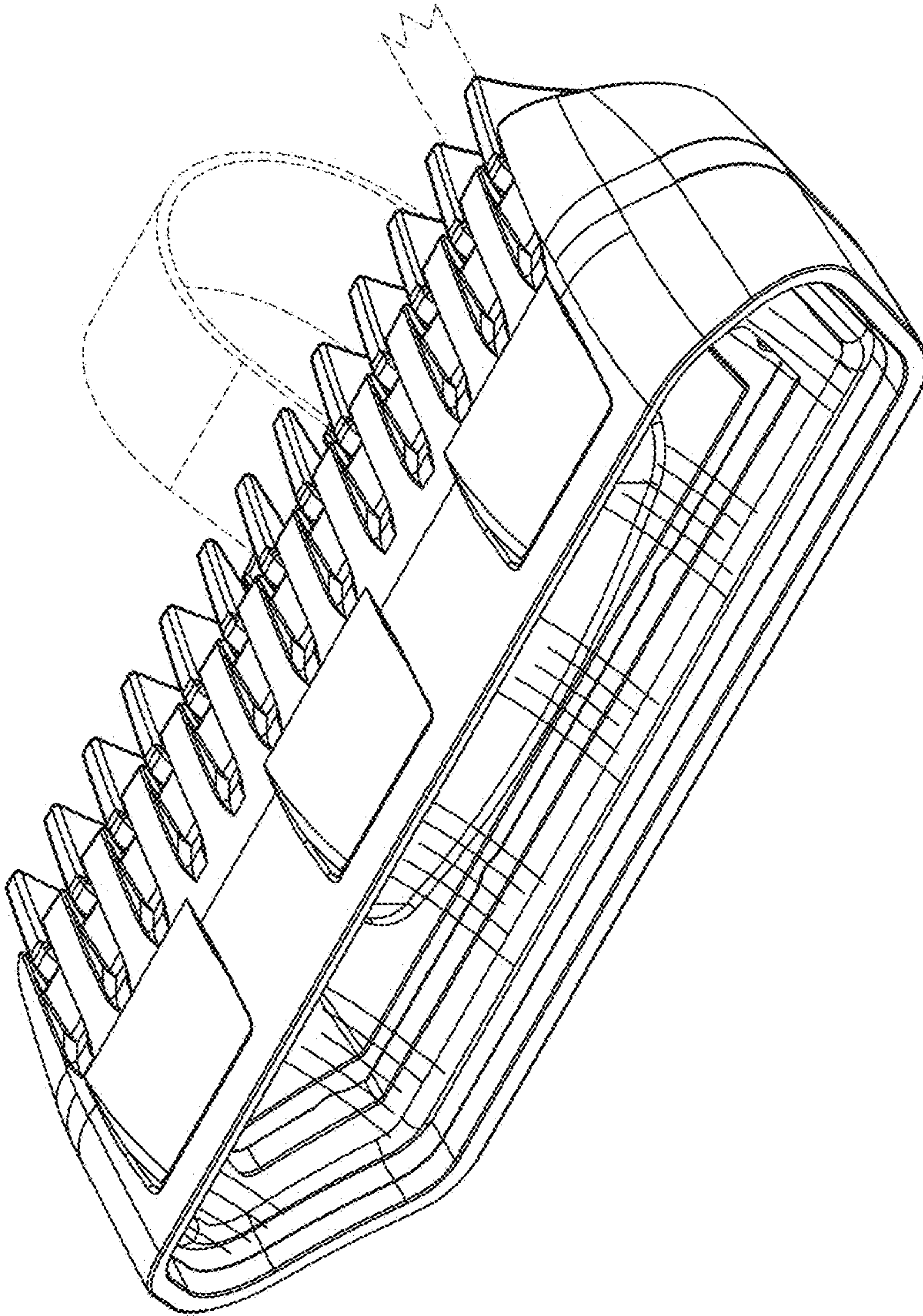


FIG. 10

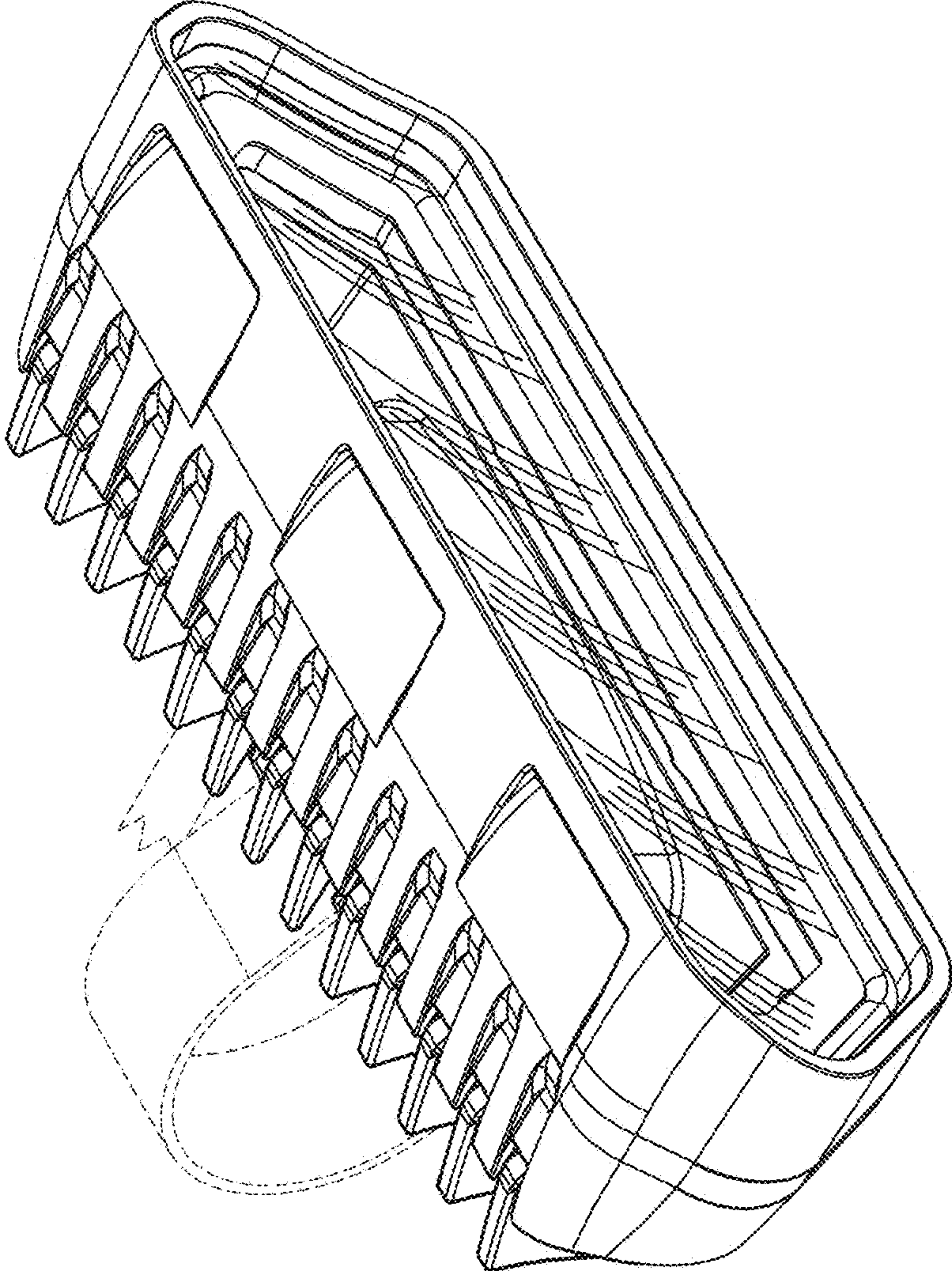


FIG. 11



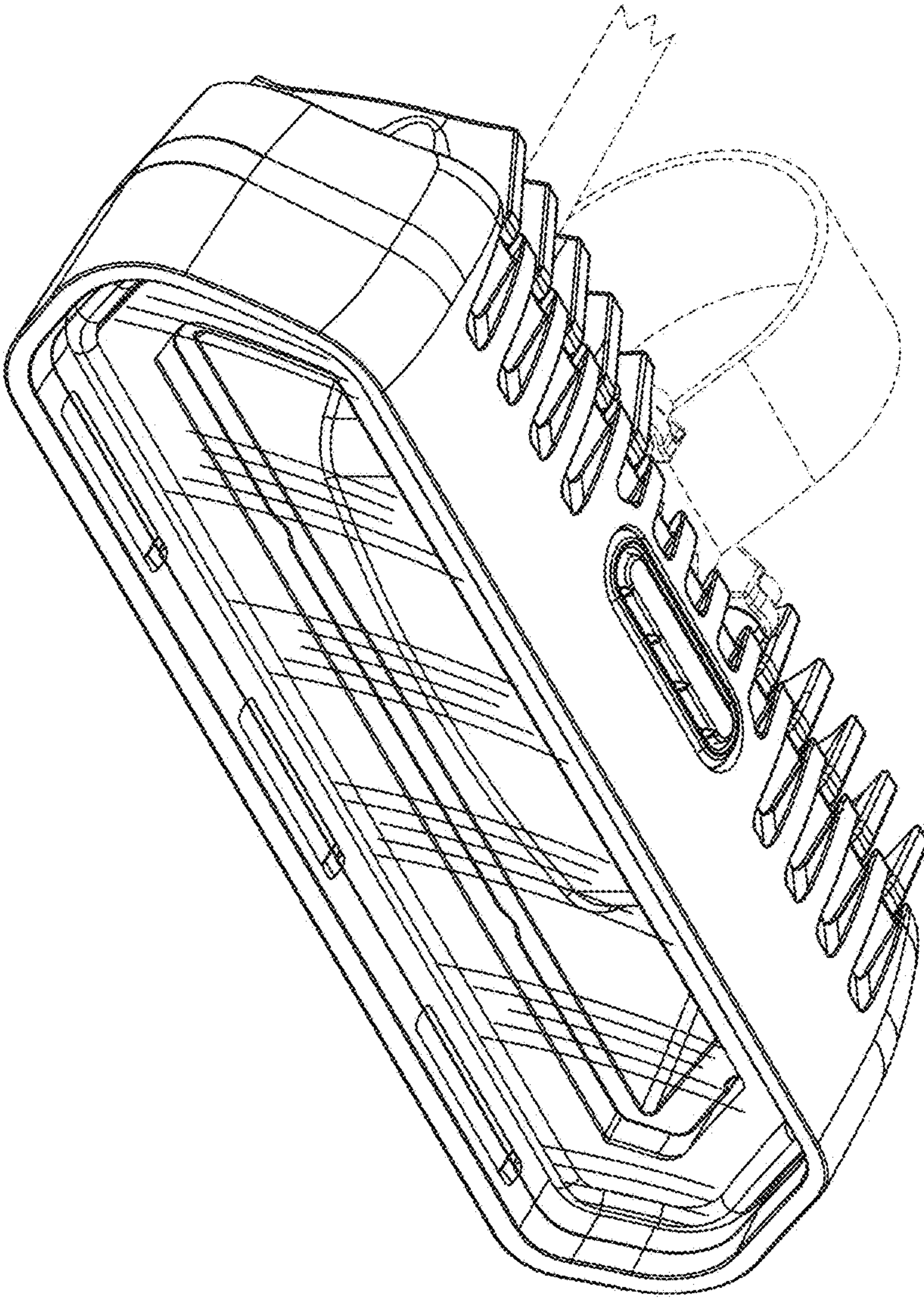


FIG. 12



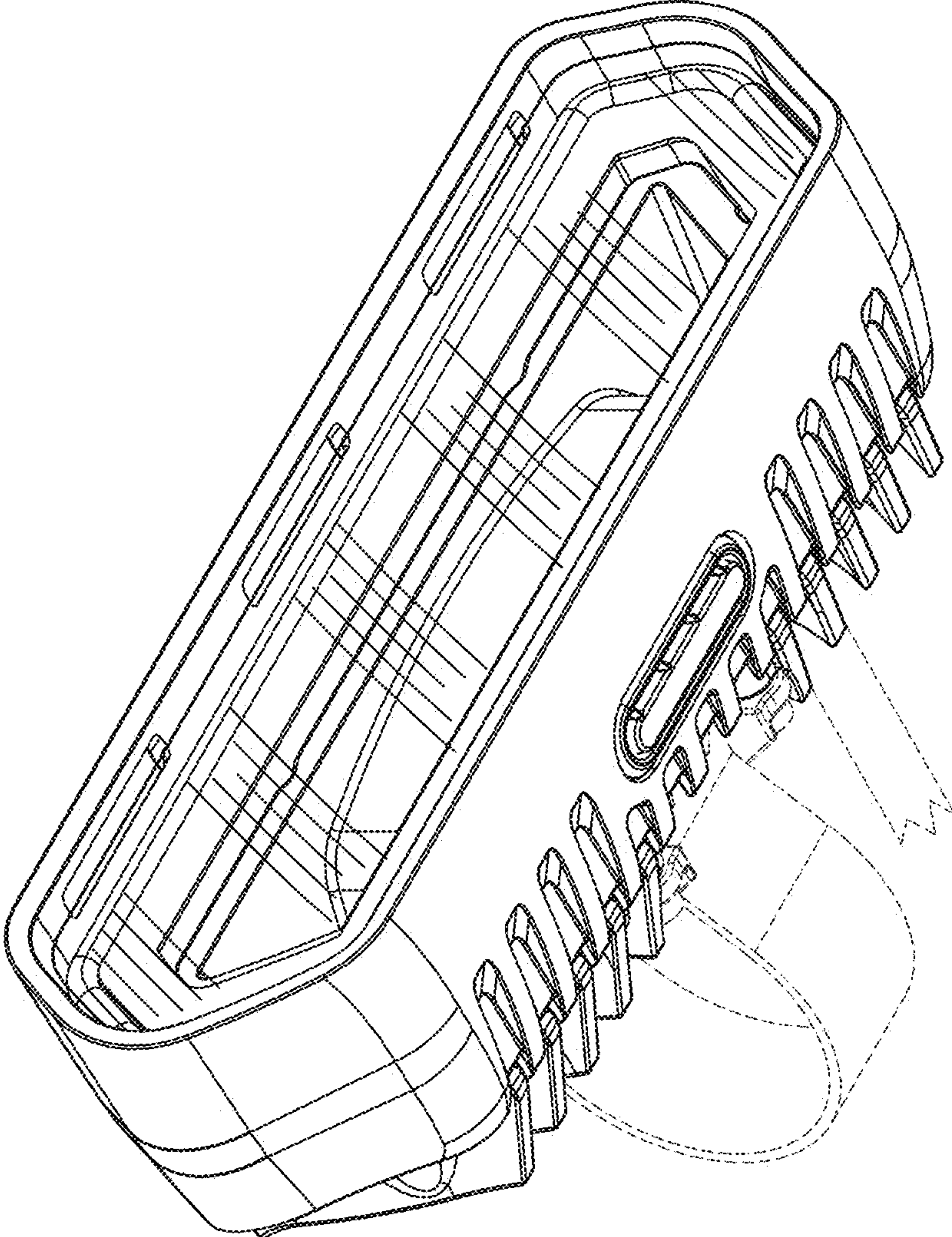


FIG. 13

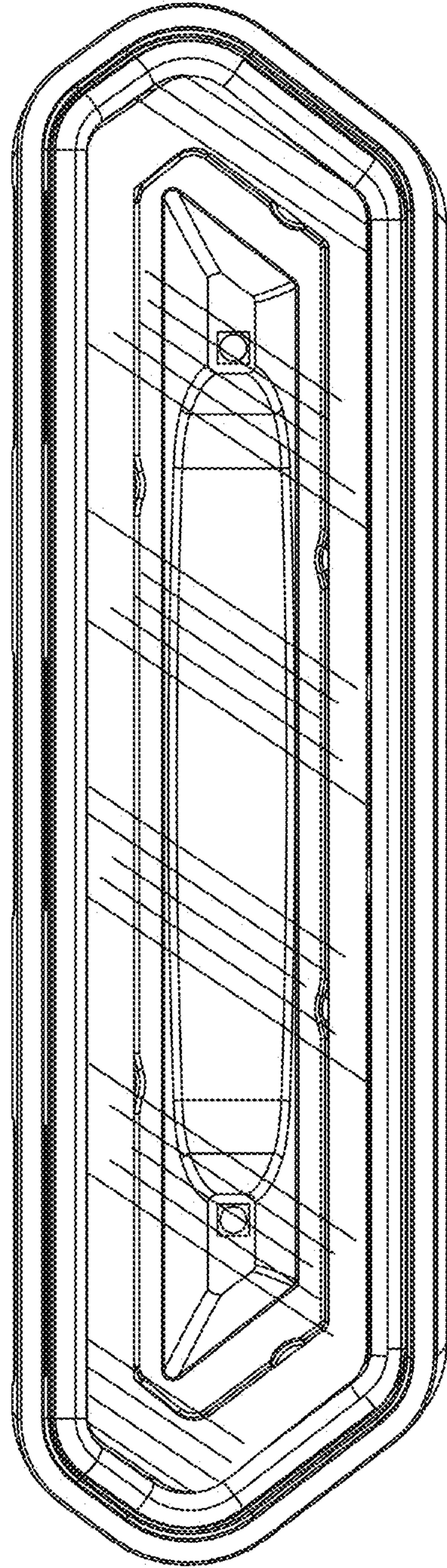


FIG. 14