



US00D843616S

(12) **United States Design Patent**
Smith et al.

(10) **Patent No.:** **US D843,616 S**
(45) **Date of Patent:** **** Mar. 19, 2019**

- (54) **VEHICLE DAYTIME RUNNING LIGHT**
- (71) Applicant: **GM GLOBAL TECHNOLOGY OPERATIONS LLC**, Detroit, MI (US)
- (72) Inventors: **Brian J. Smith**, Farmington Hills, MI (US); **Evan Mai**, Ypsilanti, MI (US)
- (73) Assignee: **GM GLOBAL TECHNOLOGY OPERATIONS LLC**, Detroit, MI (US)
- (**) Term: **15 Years**
- (21) Appl. No.: **29/603,847**
- (22) Filed: **May 12, 2017**
- (51) **LOC (11) Cl.** **26-06**
- (52) **U.S. Cl.**
USPC **D26/28**
- (58) **Field of Classification Search**
USPC D26/28–36
CPC F21S 48/00; F21S 48/10; F21S 48/115;
F21S 48/225; F21S 48/1233; F21S 48/1266; F21S 48/1388; F21S 48/2268;
F21V 21/04; B60Q 9/13; B60Q 9/135;
B60Q 9/1375
See application file for complete search history.

D605,793 S *	12/2009	Weil	D26/28
D605,977 S	12/2009	Zipfel et al.	
D605,978 S	12/2009	Wolff et al.	
D608,249 S	1/2010	Peters	
D608,690 S	1/2010	Folden et al.	
D608,691 S	1/2010	Zak, Jr. et al.	
D609,608 S	2/2010	Boniface et al.	
D611,387 S	3/2010	Thompson et al.	
D611,879 S	3/2010	Kim et al.	
D612,297 S	3/2010	Peters et al.	
D613,645 S	4/2010	Song et al.	
D615,458 S	5/2010	Thompson et al.	
D618,595 S	6/2010	Ware et al.	
D623,090 S	9/2010	Cox et al.	
D627,262 S	11/2010	Ikeda et al.	
D635,488 S	4/2011	Phipps	
D644,147 S	8/2011	Suh et al.	
D644,567 S	9/2011	Kozub	
D657,718 S	4/2012	Zipfel et al.	
D659,052 S	5/2012	Ware et al.	
D659,053 S	5/2012	Ware et al.	
D668,182 S	10/2012	Barba Franco et al.	
D668,183 S	10/2012	Smart	
D678,820 S	3/2013	Son et al.	
D678,821 S	3/2013	Ikeda et al.	

(Continued)

Primary Examiner — Marcus A Jackson

(57) **CLAIM**

The ornamental designs for a vehicle daytime running light, as shown and described.

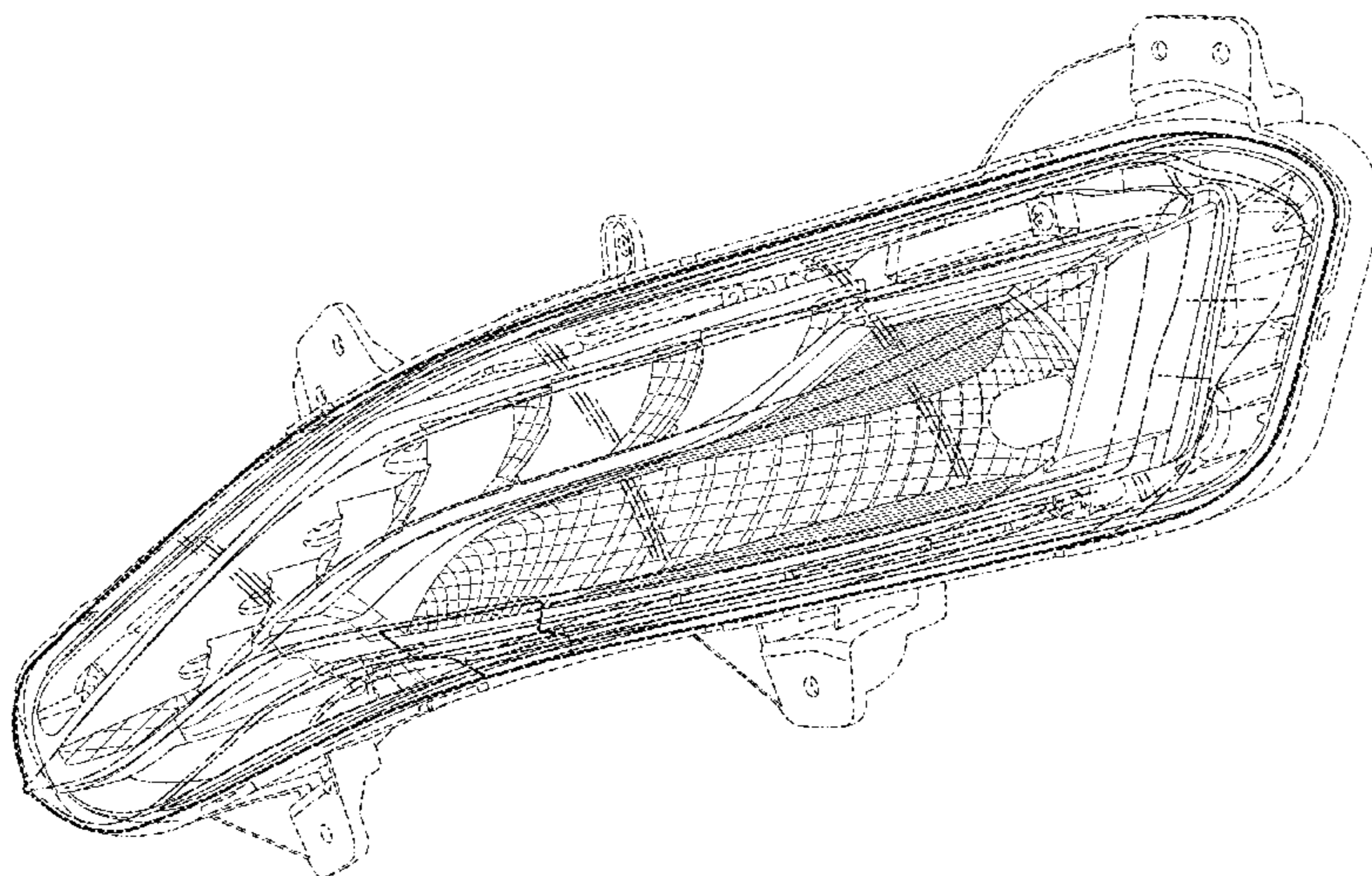
DESCRIPTION

FIG. 1 is a perspective view of one embodiment of the vehicle daytime running light;
FIG. 2 is a front view of the embodiment of FIG. 1;
FIG. 3 is a side view of the embodiment of FIG. 1; and,
FIG. 4 is a top view of the embodiment of FIG. 1.
The broken lines in the drawings illustrate portions of the vehicle daytime running light that form no part of the claimed design.

1 Claim, 4 Drawing Sheets

(56) **References Cited**
U.S. PATENT DOCUMENTS

D570,742 S	6/2008	Takagi et al.	
D571,029 S *	6/2008	Beigel	D26/28
D592,105 S	5/2009	Dean et al.	
D597,447 S	8/2009	Folden	
D600,595 S	9/2009	Nakamura et al.	
D601,283 S *	9/2009	Kumai	D26/28
D601,925 S	10/2009	O'Donnell	
D603,755 S	11/2009	Peters	
D604,203 S	11/2009	O'Donnell	
D605,082 S	12/2009	Munson	
D605,083 S	12/2009	Manoogian, II et al.	



(56)

References Cited

U.S. PATENT DOCUMENTS

D680,909 S	4/2013	Munson et al.	D753,034 S	4/2016	Thole et al.
D680,910 S	4/2013	David	D753,035 S	4/2016	Boniface et al.
D684,899 S	6/2013	Baker	D753,559 S	4/2016	McMahan et al.
D686,536 S	7/2013	McCabe et al.	D753,560 S	4/2016	McMahan et al.
D692,798 S	11/2013	Thurber	D753,567 S	4/2016	Boniface et al.
D692,799 S	11/2013	Smith et al.	D754,571 S	4/2016	Boniface et al.
D696,157 S	12/2013	Loeb	D754,572 S	4/2016	McMahan et al.
D699,629 S	2/2014	Ikeda et al.	D755,088 S	5/2016	McMahan et al.
D700,871 S	3/2014	O'Donnell et al.	D756,869 S	5/2016	McMahan et al.
D703,103 S	4/2014	Lee	D758,271 S	6/2016	McMahan et al.
D704,103 S	5/2014	Mack et al.	D764,975 S	8/2016	Aengenheyster
D705,132 S	5/2014	Ware et al.	D764,976 S	8/2016	Aengenheyster
D705,699 S	5/2014	Ware et al.	D767,449 S	9/2016	Pevovar et al.
D713,298 S	9/2014	Dyson	D767,450 S	9/2016	Lee et al.
D713,764 S	9/2014	Ferlazzo et al.	D767,451 S	9/2016	Kozub et al.
D716,696 S	11/2014	Thole et al.	D767,454 S	9/2016	McMahan et al.
D716,706 S	11/2014	Thole et al.	D767,458 S	9/2016	Kim
D716,709 S	11/2014	Thole et al.	D767,459 S	9/2016	Kim
D717,696 S	11/2014	Thole et al.	D767,460 S	9/2016	Kozub et al.
D718,189 S	11/2014	Krieg et al.	D767,461 S	9/2016	Kozub et al.
D718,683 S	12/2014	Thole et al.	D771,528 S	11/2016	Smith et al.
D722,282 S	2/2015	Loeb	D771,529 S	11/2016	Thole et al.
D722,533 S	2/2015	Thole et al.	D771,532 S	11/2016	Kapitonov
D722,534 S	2/2015	Munson et al.	D771,533 S	11/2016	Kapitonov
D724,510 S	3/2015	McMahan et al.	D772,766 S	11/2016	Kozub et al.
D725,001 S	3/2015	McMahan et al.	D772,767 S	11/2016	Kim
D726,591 S	4/2015	Jacob	D773,084 S	11/2016	Kapitonov
D730,776 S	6/2015	Smart	D773,086 S	11/2016	McCabe et al.
D730,783 S	6/2015	Henriques et al.	D774,226 S	12/2016	McCabe et al.
D732,427 S	6/2015	Loeb	D775,003 S	12/2016	Pevovar et al.
D732,429 S	6/2015	Loeb	D775,007 S	12/2016	Thole et al.
D732,430 S	6/2015	Loeb	D775,010 S	12/2016	Kim et al.
D732,431 S	6/2015	Loeb	D775,049 S	12/2016	Scheer et al.
D732,432 S	6/2015	Aengenheyster	D775,549 S	1/2017	Karras
D732,433 S	6/2015	Aengenheyster	D775,554 S	1/2017	Kapitonov
D732,435 S	6/2015	Mackay	D776,020 S	1/2017	Kapitonov
D733,002 S	6/2015	Loeb	D776,581 S	1/2017	Pevovar et al.
D735,611 S	8/2015	Aengenheyster	D776,583 S	1/2017	Scheer et al.
D735,627 S	8/2015	Smith	D776,841 S	1/2017	Kozub et al.
D736,451 S	8/2015	Smith	D776,843 S	1/2017	McCabe et al.
D739,306 S	9/2015	McMahan et al.	D776,846 S	1/2017	Willett et al.
D739,317 S	9/2015	McMahan et al.	D777,359 S	1/2017	Kozub et al.
D741,223 S	10/2015	Kim et al.	D777,360 S	1/2017	Kozub et al.
D743,309 S	11/2015	Thole et al.	D777,361 S	1/2017	Kozub et al.
D743,313 S	11/2015	Smith et al.	D777,604 S	1/2017	McNerney
D743,314 S	11/2015	Thole et al.	D777,605 S	1/2017	Ferlazzo et al.
D743,857 S	11/2015	McMahan et al.	D777,620 S	1/2017	Pevovar et al.
D744,158 S	11/2015	Willett et al.	D777,621 S	1/2017	Kim
D745,086 S	12/2015	Finos et al.	D777,622 S	1/2017	Kozub et al.
D745,719 S	12/2015	Boniface et al.	D777,628 S	1/2017	Kozub et al.
D745,725 S	12/2015	McMahan et al.	D777,955 S	1/2017	Willett et al.
D745,726 S	12/2015	McMahan et al.	D778,212 S	2/2017	Kozub et al.
D745,837 S	12/2015	Smith et al.	D778,215 S	2/2017	Kozub et al.
D746,726 S	1/2016	Smith et al.	D780,064 S	2/2017	Smith et al.
D746,727 S	1/2016	Smith et al.	D780,067 S	2/2017	Zipfel et al.
D746,728 S	1/2016	Smith et al.	D780,068 S	2/2017	Whitla et al.
D746,729 S	1/2016	Boniface et al.	D780,077 S	2/2017	Kim et al.
D746,730 S	1/2016	Kim et al.	D780,081 S	2/2017	Lee
D747,514 S	1/2016	McMahan et al.	D780,084 S	2/2017	Scheer et al.
D747,515 S	1/2016	McMahan et al.	D780,631 S	3/2017	Kozub et al.
D747,819 S	1/2016	Thole et al.	D780,644 S	3/2017	Kim et al.
D749,021 S	2/2016	Boniface et al.	D781,184 S	3/2017	Thole et al.
D749,026 S	2/2016	Smith et al.	D781,192 S	3/2017	Kozub et al.
D749,027 S	2/2016	McMahan et al.	D782,379 S	3/2017	Wassell
D749,246 S	2/2016	Thole et al.	D783,482 S	4/2017	Smith et al.
D749,249 S	2/2016	Thole et al.	D784,213 S	4/2017	Karras
D749,250 S	2/2016	Thole et al.	D784,223 S	4/2017	Lee
D749,985 S	2/2016	Kozub et al.	D784,226 S	4/2017	Cheng
D749,997 S	2/2016	McMahan et al.	D784,579 S	4/2017	Cheng et al.
D750,001 S	2/2016	Thole et al.	D784,877 S	4/2017	Lee
D753,032 S	4/2016	Smith et al.	D784,886 S	4/2017	Smith et al.
D753,033 S	4/2016	Thole et al.	D785,521 S	5/2017	Smith et al.
			D786,149 S	5/2017	Pevovar et al.

* cited by examiner

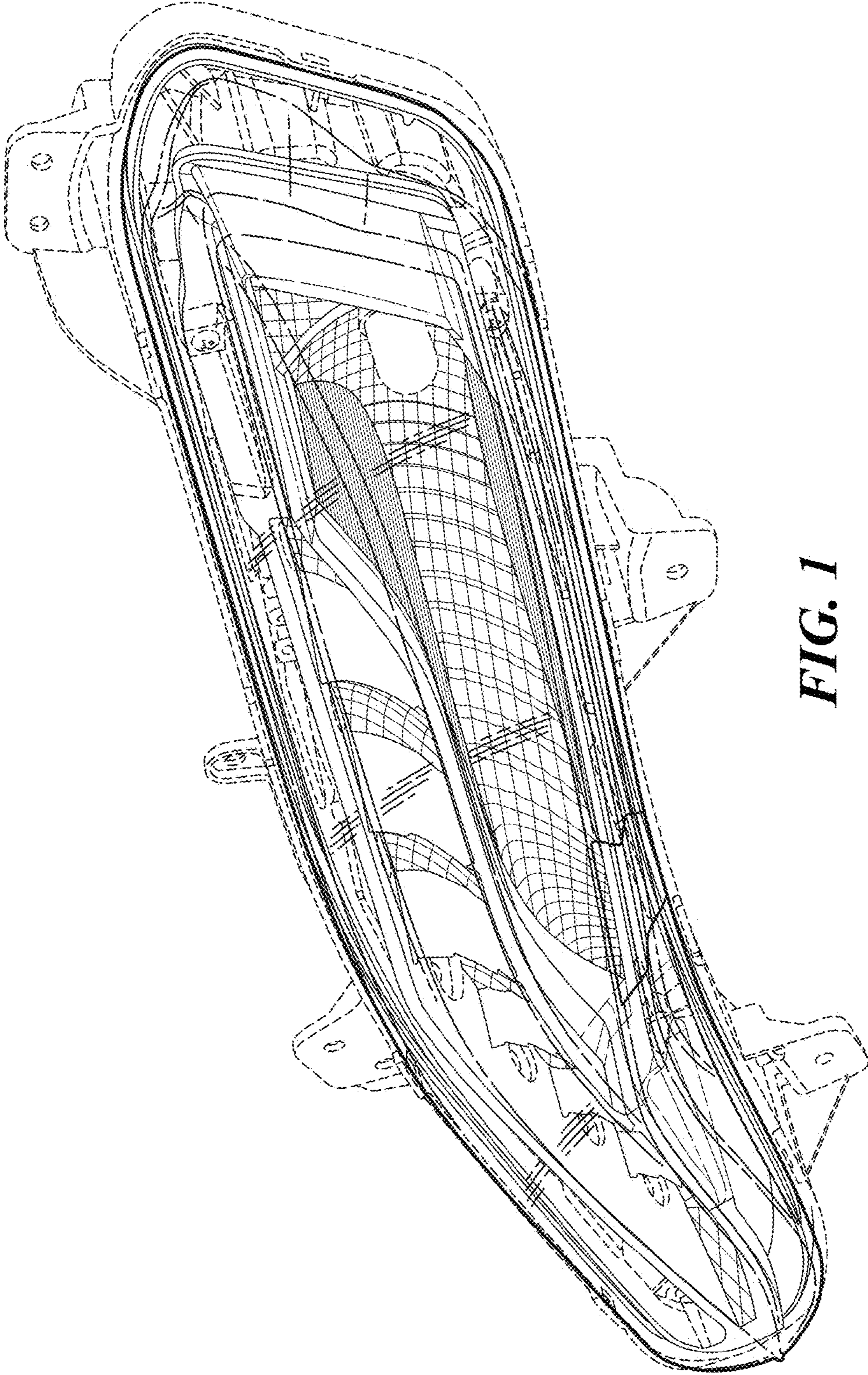


FIG. 1

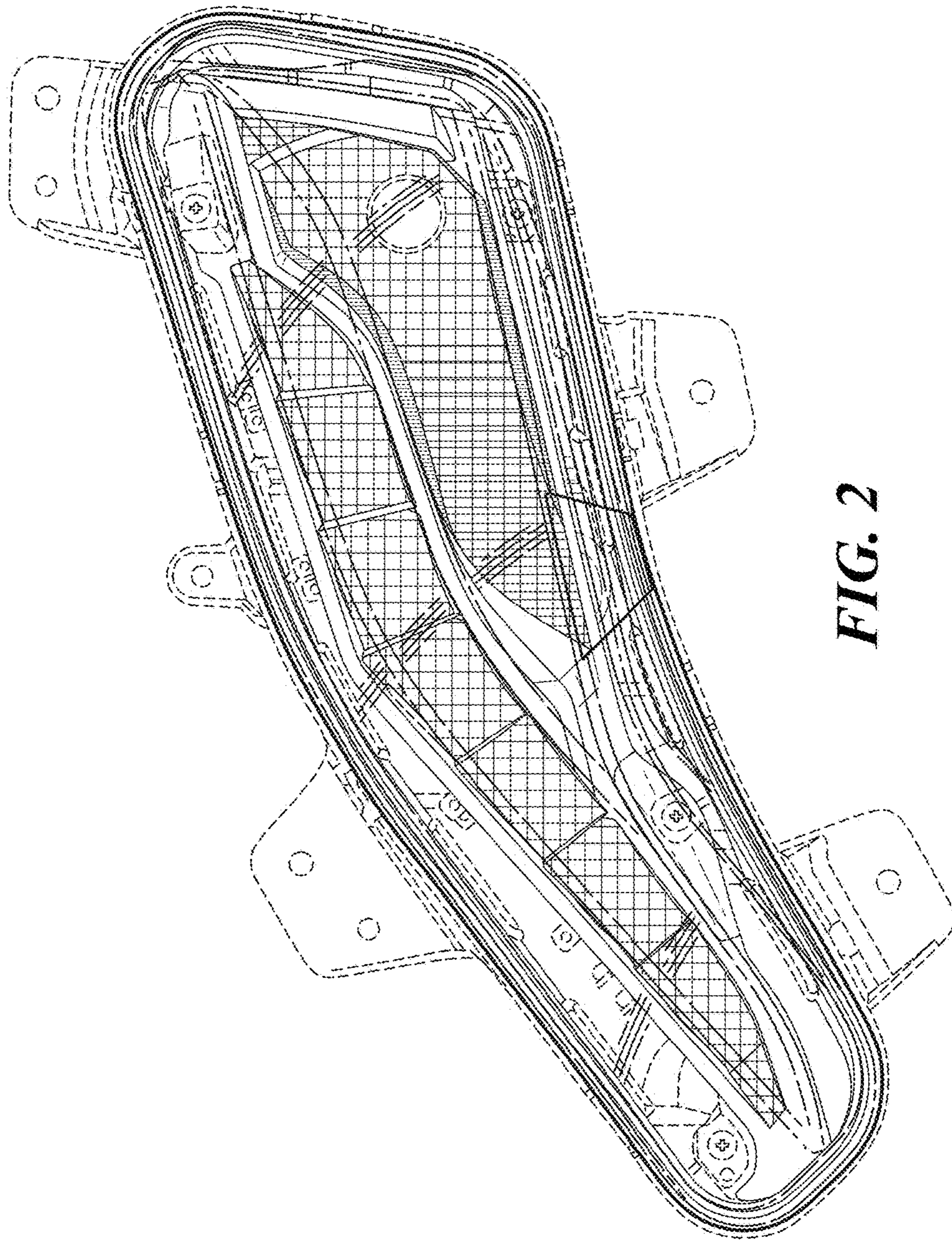


FIG. 2

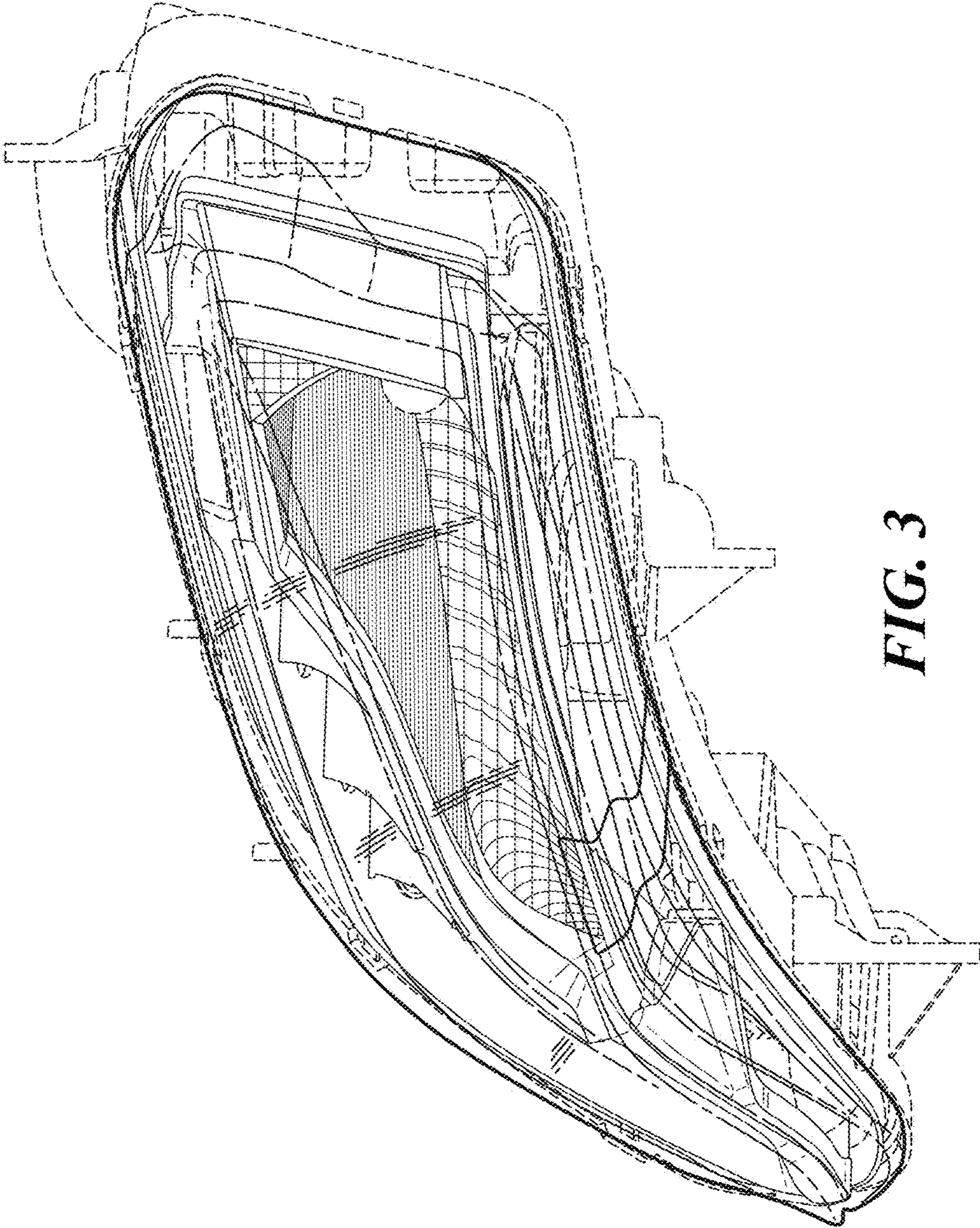


FIG. 3

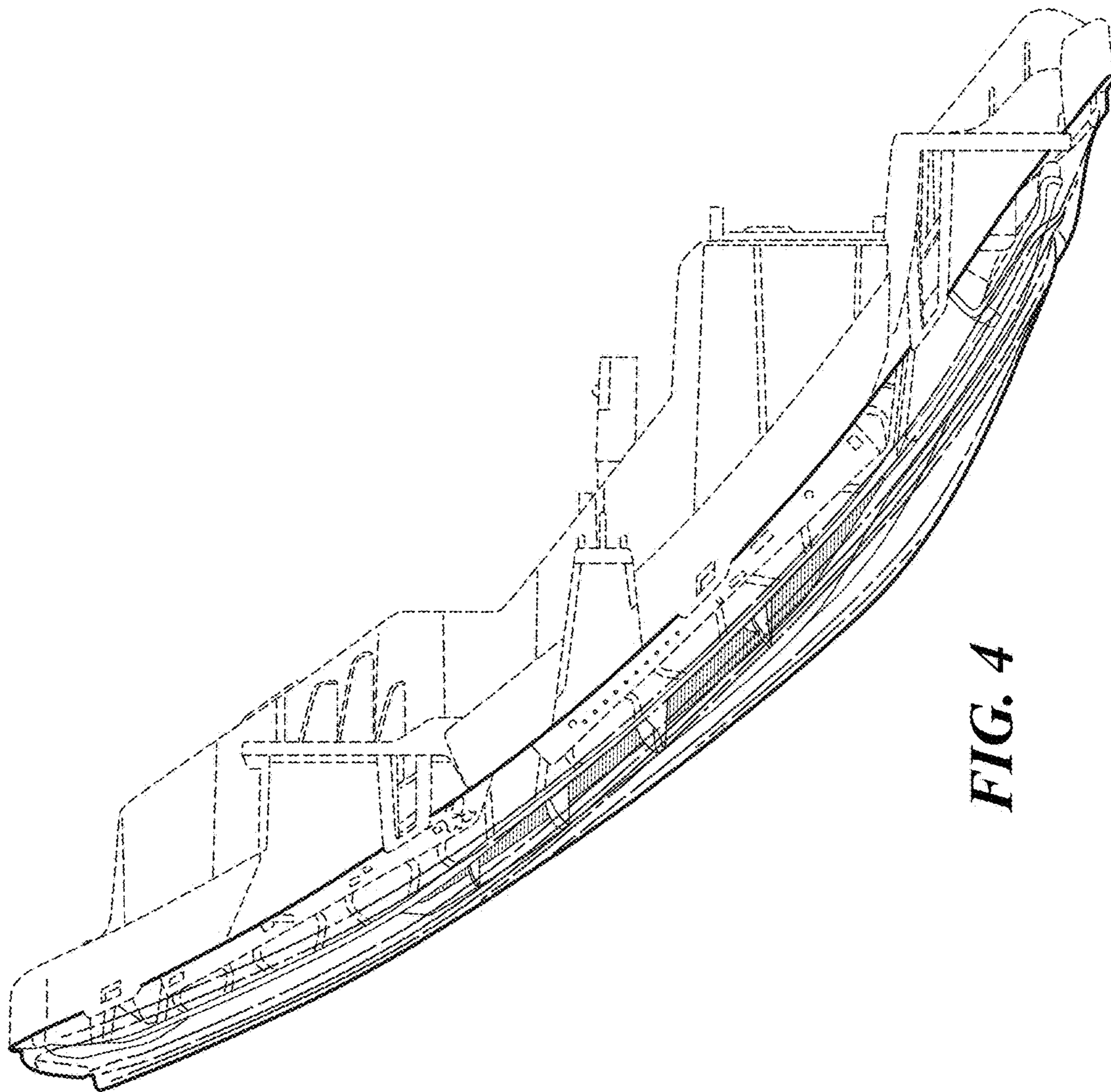


FIG. 4